



US00D724579S

(12) **United States Design Patent**  
**Moradian**

(10) **Patent No.:** **US D724,579 S**

(45) **Date of Patent:** **\*\* Mar. 17, 2015**

(54) **ELECTRONIC DEVICE**  
(71) Applicant: **Payam Moradian**, Los Angeles, CA  
(US)  
(72) Inventor: **Payam Moradian**, Los Angeles, CA  
(US)  
(\*\*) Term: **14 Years**  
(21) Appl. No.: **29/446,575**

D676,854 S \* 2/2013 Hsu et al. .... D14/447  
D684,630 S \* 6/2013 Pham ..... D19/91  
D685,347 S \* 7/2013 Szymanski et al. .... D14/214  
D685,778 S \* 7/2013 Fahrendorff et al. .... D14/250  
D690,305 S \* 9/2013 Wen ..... D14/440  
D695,287 S \* 12/2013 Chang et al. .... D14/315  
D695,735 S \* 12/2013 Kitchen et al. .... D14/341  
8,605,433 B2 \* 12/2013 Chiang et al. .... 361/679.59  
D704,200 S \* 5/2014 Rayner ..... D14/447  
D707,683 S \* 6/2014 Nam-Su ..... D14/440  
2003/0153355 A1 8/2003 Warren  
2006/0160567 A1 7/2006 Parivash  
2010/0309617 A1 \* 12/2010 Wang et al. .... 361/679.01

(22) Filed: **Feb. 25, 2013**  
(51) **LOC (10) Cl.** ..... **14-02**  
(52) **U.S. Cl.**  
USPC ..... **D14/341**  
(58) **Field of Classification Search**  
CPC ... H04M 1/00; H04M 11/066; H04M 1/2478;  
H04M 1/72519; H04M 2201/38; H04M  
2250/22; G06F 15/00  
USPC ..... D14/341-347, 137, 138 R, 138 AA,  
D14/138 C, 138 G, 496, 203.1, 203.3, 203.4,  
D14/203.7, 129, 130, 147, 218, 248, 389,  
D14/388, 426, 420; D10/65, 104.1;  
D18/6-7; D21/324, 329, 330;  
455/556.1, 556.2, 566, 575.1, 90.3;  
379/433.04, 433.01, 433.06, 916;  
345/173, 901, 905; 361/679.26, 679.3,  
361/679.55, 679.56  
See application file for complete search history.

**OTHER PUBLICATIONS**

<[http://www.asus.com/Tablet\\_Mobile/PadFone/](http://www.asus.com/Tablet_Mobile/PadFone/)>.  
<[http://reviews.cnet.com/tablets/asus-padfone-infinity/4505-3126\\_7-35619201.html](http://reviews.cnet.com/tablets/asus-padfone-infinity/4505-3126_7-35619201.html)>.

Office Action for U.S. Appl. No. 13/776,722 Dated Oct. 3, 2014.

\* cited by examiner

*Primary Examiner* — Barbara Fox

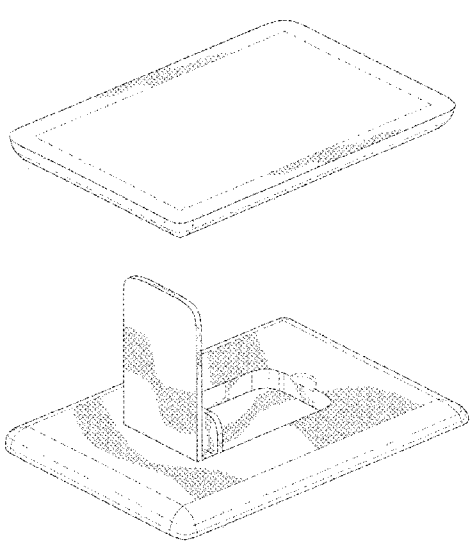
(57) **CLAIM**  
The ornamental design for an electronic device, as shown and described.

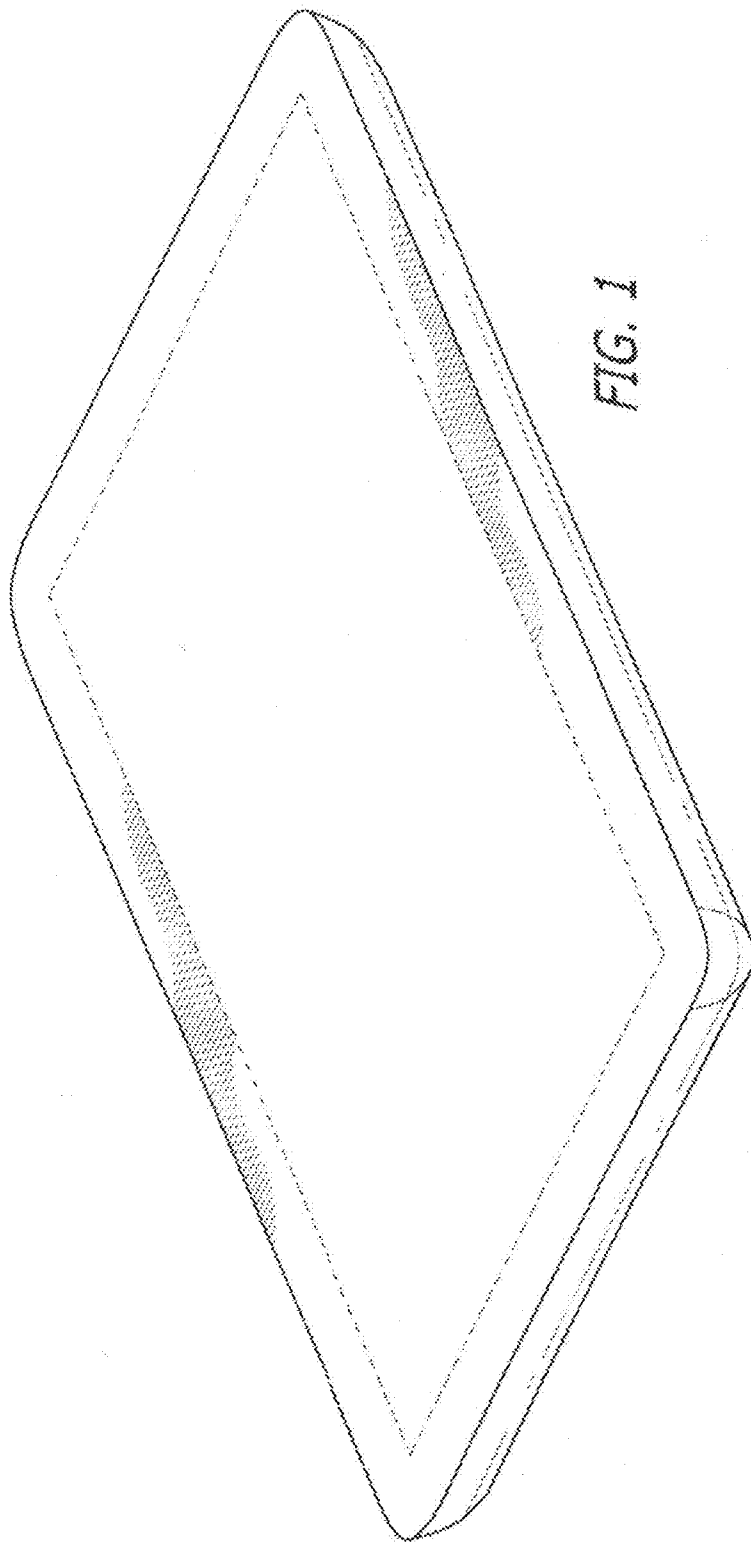
**DESCRIPTION**

FIG. 1 is a front perspective view of an electronic device showing my new design.  
FIG. 2 is a back perspective view thereof, showing a rotating member in an open position.  
FIG. 3 is a right side view thereof.  
FIG. 4 is a left side view thereof.  
FIG. 5 is a top side view thereof.  
FIG. 6 is a front view thereof.  
FIG. 7 is a back view thereof; and,  
FIG. 8 is back perspective view of the electronic device, showing the rotating member in a closed position.

**1 Claim, 5 Drawing Sheets**

(56) **References Cited**  
U.S. PATENT DOCUMENTS  
D164,483 S \* 9/1951 Flannery ..... D19/91  
D276,734 S \* 12/1984 Landstrom ..... D19/91  
D438,849 S \* 3/2001 Adachi et al. .... D14/126  
D513,008 S \* 12/2005 Takizawa et al. .... D14/447  
7,299,580 B2 \* 11/2007 Wang et al. .... 40/719  
D590,404 S \* 4/2009 Kim et al. .... D14/447  
D636,373 S \* 4/2011 Miu ..... D14/170





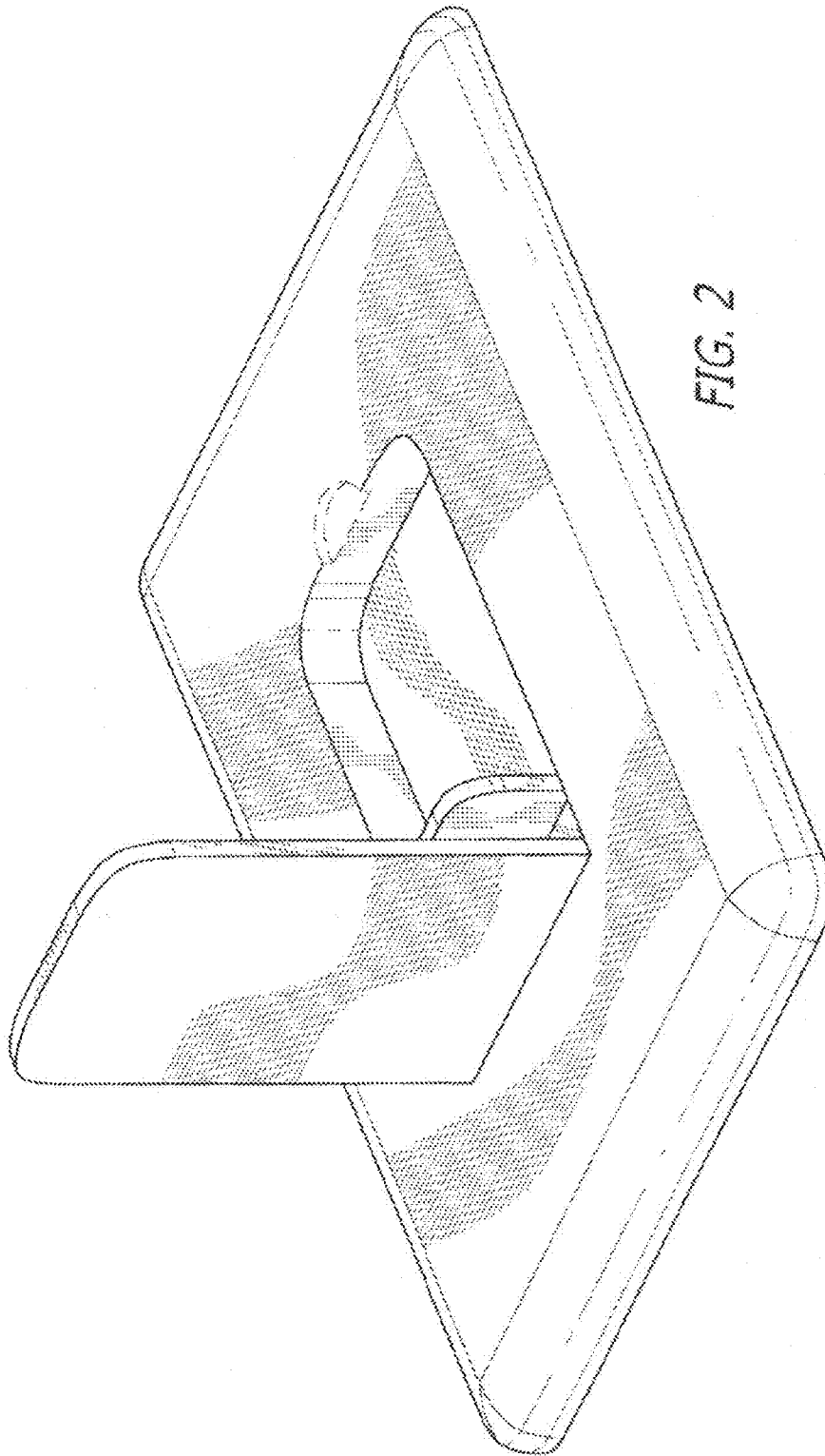


FIG. 2

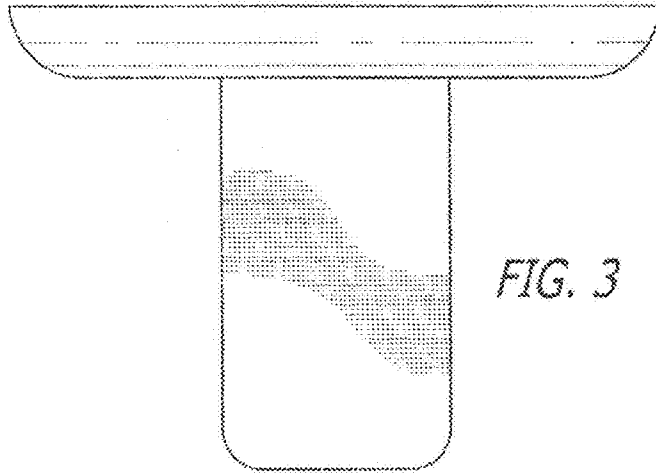


FIG. 3

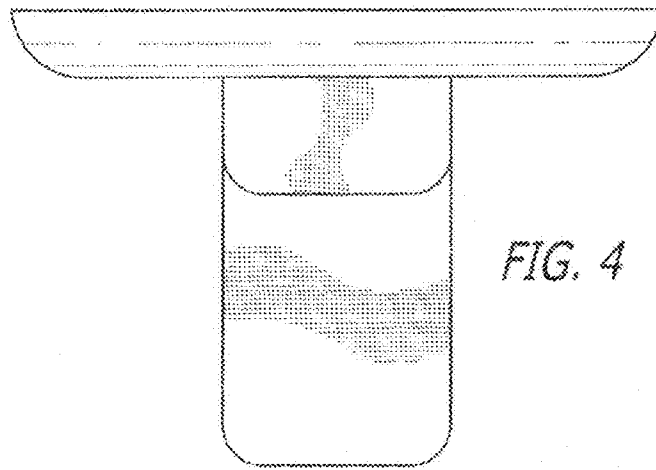


FIG. 4

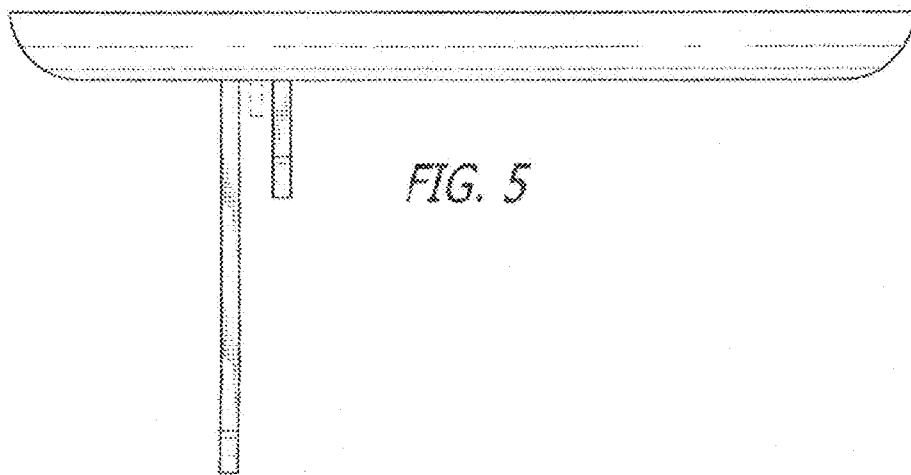


FIG. 5

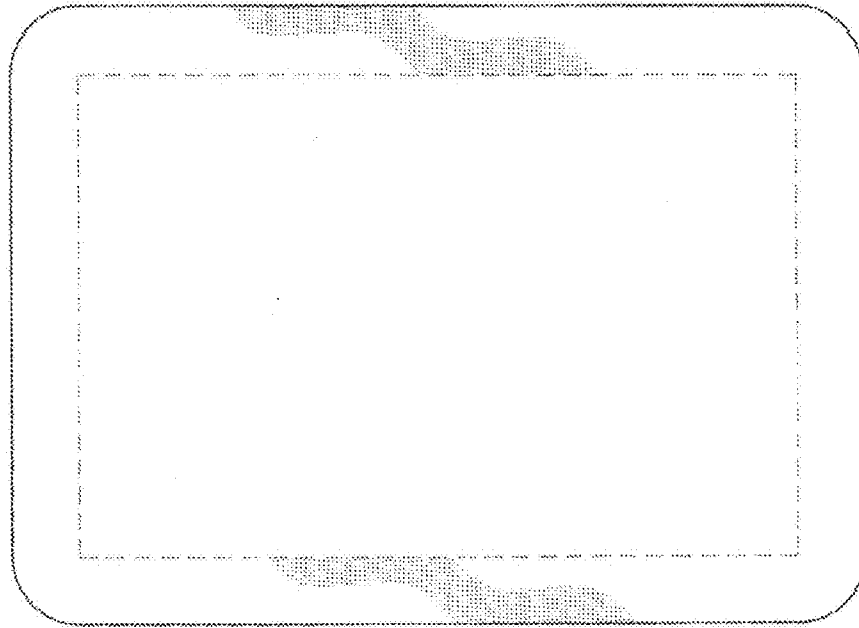


FIG. 6

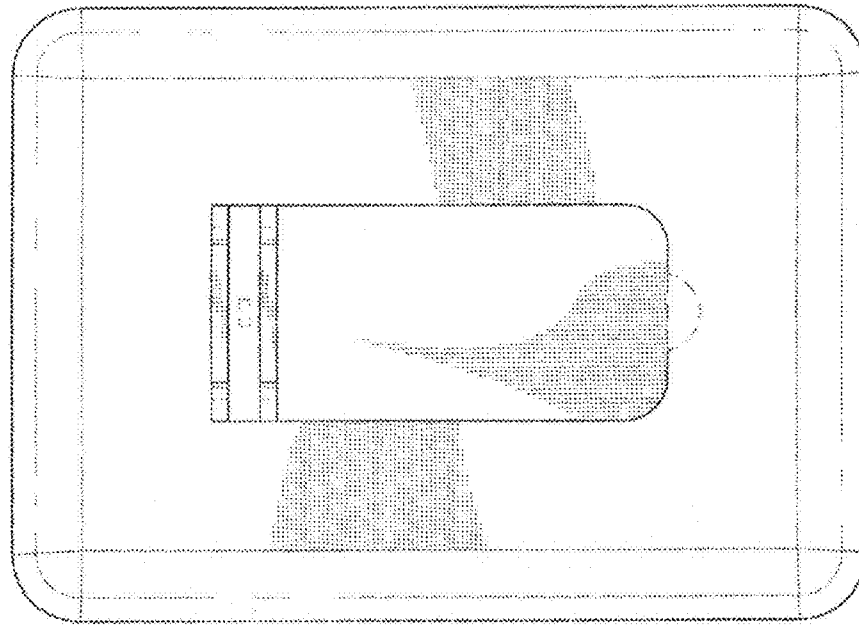


FIG. 7

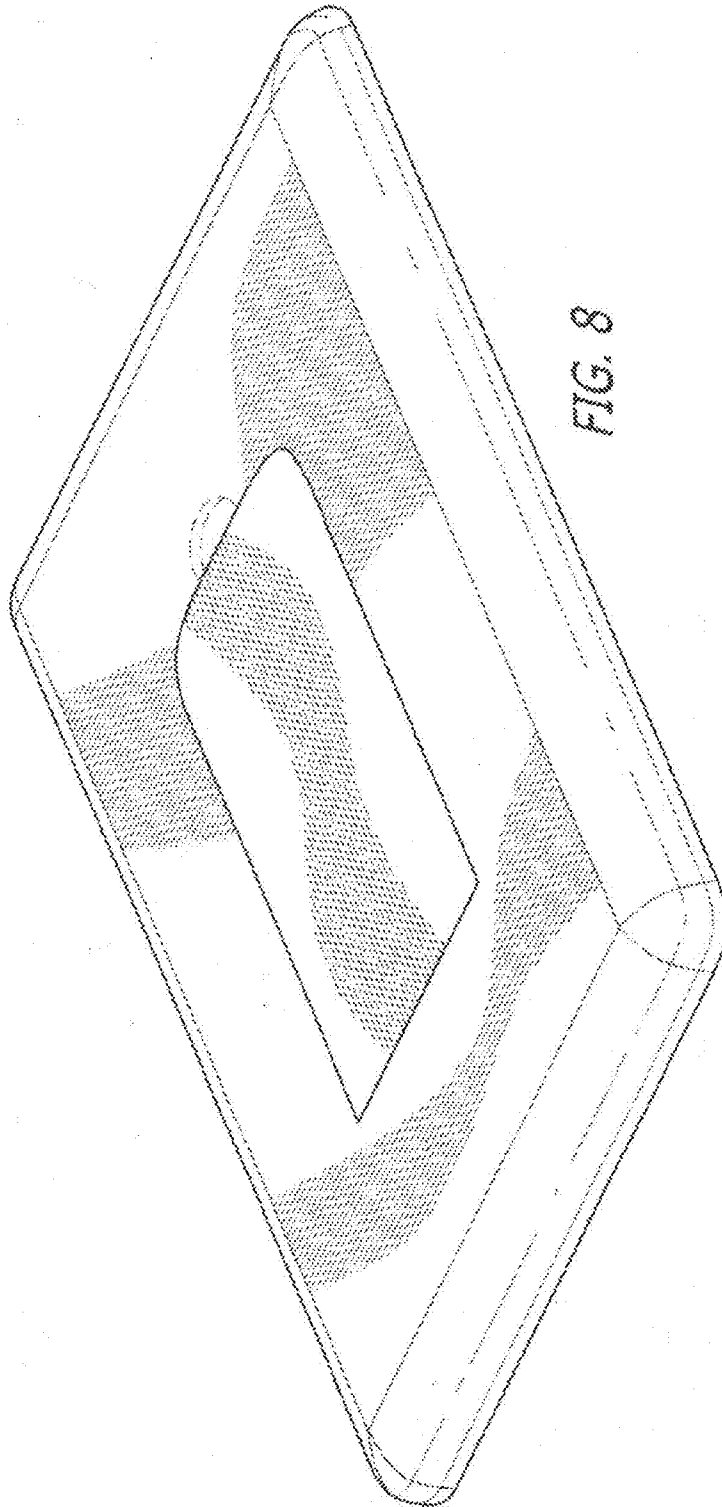


FIG. 8