

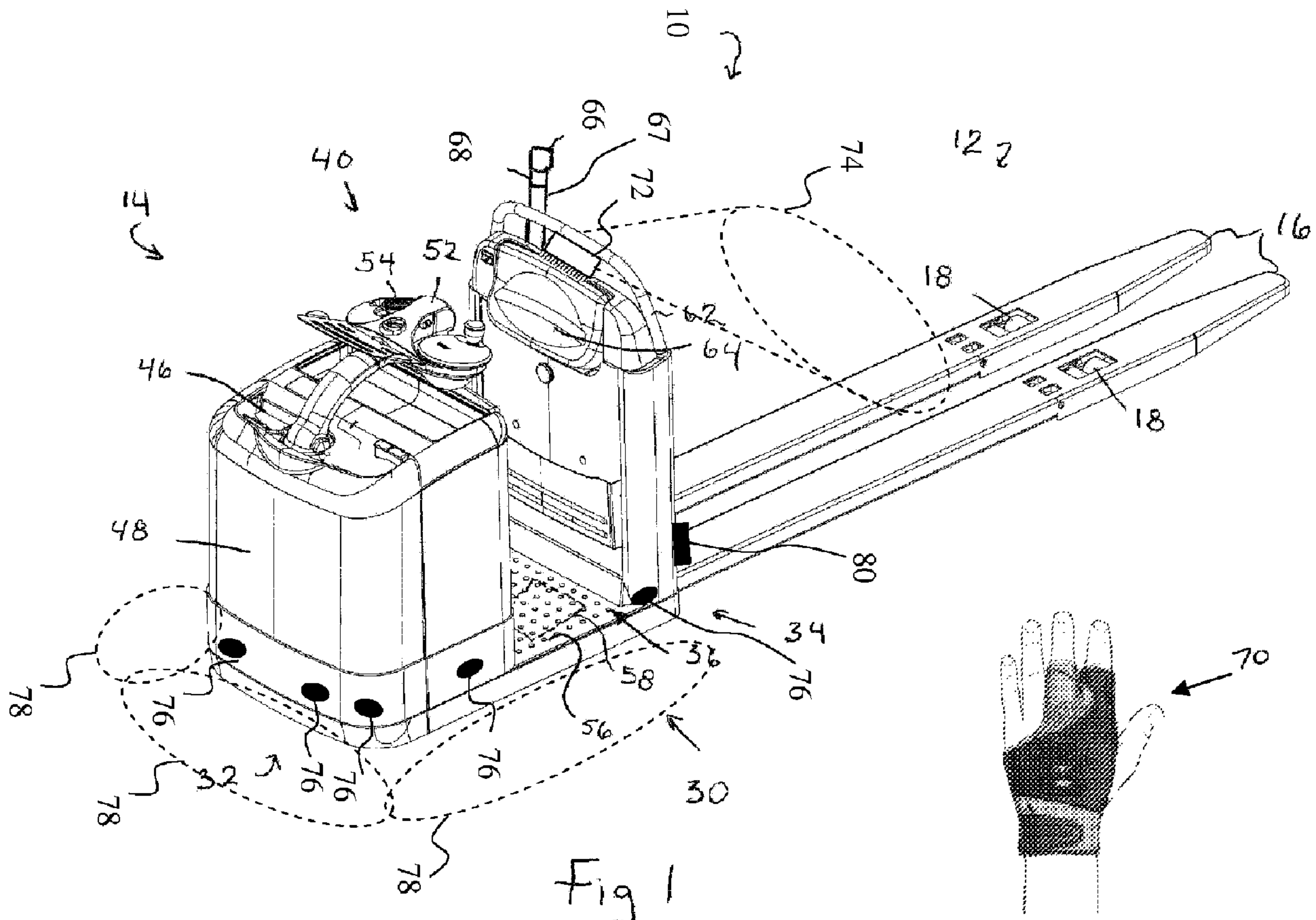


(86) Date de dépôt PCT/PCT Filing Date: 2007/09/14  
 (87) Date publication PCT/PCT Publication Date: 2008/04/03  
 (85) Entrée phase nationale/National Entry: 2009/03/06  
 (86) N° demande PCT/PCT Application No.: US 2007/078455  
 (87) N° publication PCT/PCT Publication No.: 2008/039649  
 (30) Priorité/Priority: 2006/09/14 (US60/825,688)

(51) Cl.Int./Int.Cl. *G08C 17/02* (2006.01)  
 (71) Demandeur/Applicant:  
 CROWN EQUIPMENT CORPORATION, US  
 (72) Inventeurs/Inventors:  
 KRAIMER, JAMES V., US;  
 POLLACK, JAY G., US;  
 WELLMAN, TIMOTHY A., US;  
 JENSEN, ERIC, US;  
 CRABILL, MONTY, US;  
 DYKEMA, KURT, US;  
 DUCKWORTH, PAUL, US;  
 ZEILINGER, TODD A., US  
 (74) Agent: GOWLING LAFLEUR HENDERSON LLP

(54) Titre : SYSTEMES ET PROCEDES DE COMMANDE A DISTANCE D'UN VEHICULE DE MANUTENTION DE MATERIAUX

(54) Title: SYSTEMS AND METHODS OF REMOTELY CONTROLLING A MATERIALS HANDLING VEHICLE



(57) Abrégé/Abstract:

A supplemental control system for a materials handling vehicle comprises a wearable control device, and a corresponding receiver on the materials handling vehicle. The wearable control device is donned by an operator interacting with the materials handling

(57) **Abrégé(suite)/Abstract(continued):**

vehicle, and comprises a wireless transmitter and a travel control communicably coupled to the wireless transmitter. Actuation of the travel control causes the wireless transmitter to transmit a first type signal designating a request to advance the vehicle in a first direction. The receiver is supported by the vehicle for receiving transmissions from the wireless transmitter. A traction control of the vehicle is responsive to a receipt of the first type signal by the receiver to cause the vehicle to advance.

(12) INTERNATIONAL APPLICATION PUBLISHED UNDER THE PATENT COOPERATION TREATY (PCT)

(19) World Intellectual Property Organization  
International Bureau(43) International Publication Date  
3 April 2008 (03.04.2008)

PCT

(10) International Publication Number  
**WO 2008/039649 A3**(51) International Patent Classification:  
G08C 17/02 (2006.01)

(21) International Application Number:

PCT/US2007/078455

(22) International Filing Date:

14 September 2007 (14.09.2007)

(25) Filing Language:

English

(26) Publication Language:

English

(30) Priority Data:

60/825,688 14 September 2006 (14.09.2006) US

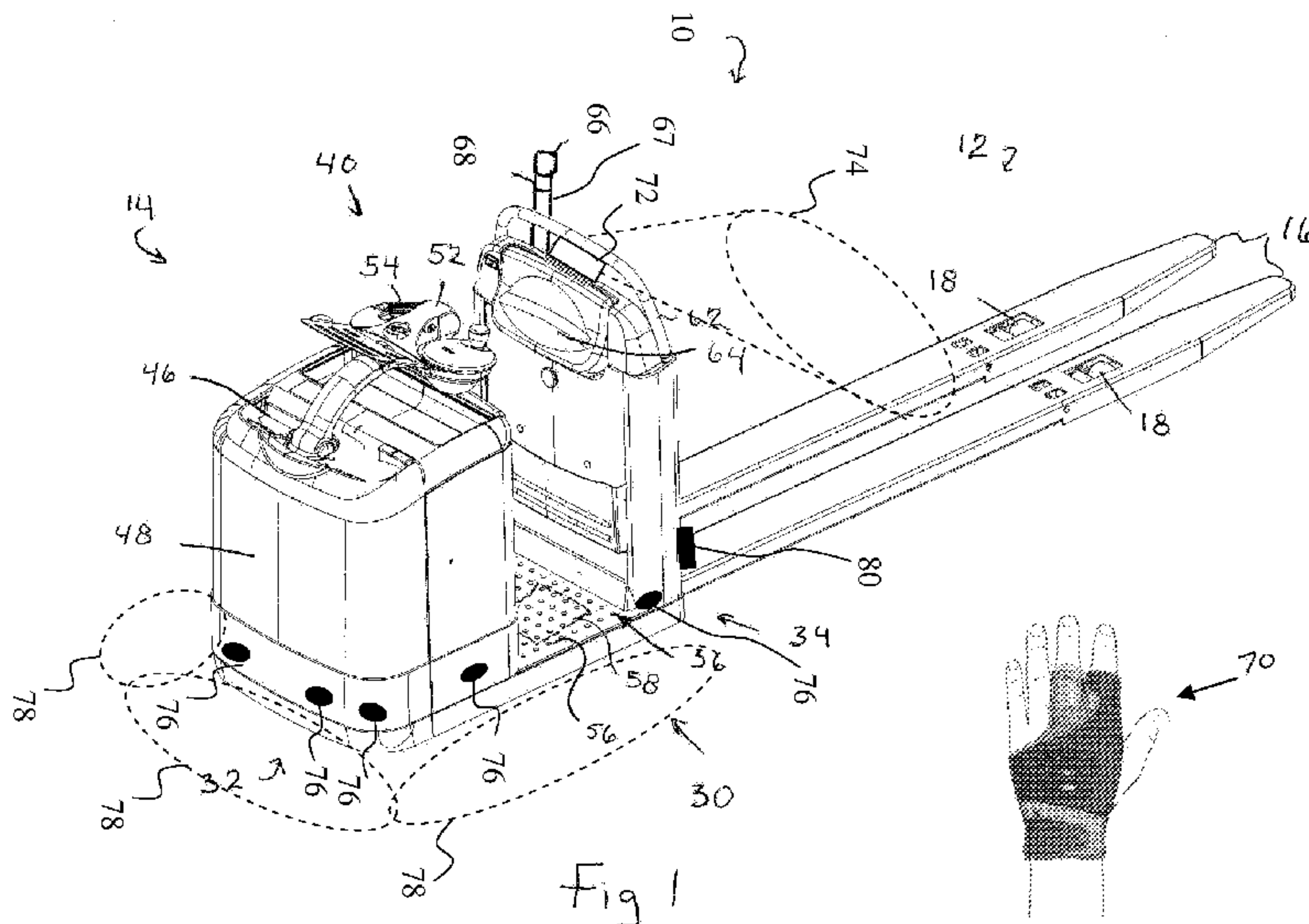
(71) Applicant (for all designated States except US): **CROWN EQUIPMENT CORPORATION** [US/US]; A Corporation Of The State Of Ohio, 40 South Washington Street, New Bremen, OH 45869 (US).(72) Inventors: **KRAIMER, James, V.**; 309 Mooring Line Dr., Celina, OH 45822 (US). **POLLACK, Jay, G.**; 14241 Fawndale Drive, Sidney, OH 45365 (US). **WELLMAN, Timothy, A.**; 3561 Menchhofer Road, Coldwater, OH 45828 (US). **JENSEN, Eric**; 44 S. Washington Street, New Bremen, OH 45869 (US). **CRABILL, Monty**; 11630 Marquart Road, New Carlisle, OH 45344 (US). **DYKEMA, Kurt**; 1230 Heather Drive, Holland, MI 49423 (US).**DUCKWORTH, Paul**; 240 Cougar Court, Holland, MI 49424 (US). **ZEILINGER, Todd, A.**; 15 Knollwood Parkway, Holland, Michigan 49423 (US).(74) Agents: **LEES, Thomas, E.** et al.; STEVENS & SHOWALTER LLP, 7019 Corporate Way, Dayton, Ohio 45459 (US).

(81) Designated States (unless otherwise indicated, for every kind of national protection available): AE, AG, AL, AM, AT, AU, AZ, BA, BB, BG, BH, BR, BW, BY, BZ, CA, CH, CN, CO, CR, CU, CZ, DE, DK, DM, DO, DZ, EC, EE, EG, ES, FI, GB, GD, GE, GH, GM, GT, HN, HR, HU, ID, IL, IN, IS, JP, KE, KG, KM, KN, KP, KR, KZ, LA, LC, LK, LR, LS, LT, LU, LY, MA, MD, ME, MG, MK, MN, MW, MX, MY, MZ, NA, NG, NI, NO, NZ, OM, PG, PH, PL, PT, RO, RS, RU, SC, SD, SE, SG, SK, SL, SM, SV, SY, TJ, TM, TN, TR, TT, TZ, UA, UG, US, UZ, VC, VN, ZA, ZM, ZW.

(84) Designated States (unless otherwise indicated, for every kind of regional protection available): ARIPO (BW, GH, GM, KE, LS, MW, MZ, NA, SD, SL, SZ, TZ, UG, ZM, ZW), Eurasian (AM, AZ, BY, KG, KZ, MD, RU, TJ, TM), European (AT, BE, BG, CH, CY, CZ, DE, DK, EE, ES, FI, FR, GB, GR, HU, IE, IS, IT, LT, LU, LV, MC, MT, NL, PL, PT, RO, SE, SI, SK, TR), OAPI (BF, BJ, CF, CG, CI, CM, GA, GN, GQ, GW, ML, MR, NE, SN, TD, TG).

[Continued on next page]

(54) Title: SYSTEMS AND METHODS OF REMOTELY CONTROLLING A MATERIALS HANDLING VEHICLE



(57) Abstract: A supplemental control system for a materials handling vehicle comprises a wearable control device, and a corresponding receiver on the materials handling vehicle. The wearable control device is donned by an operator interacting with the materials handling vehicle, and comprises a wireless transmitter and a travel control communicably coupled to the wireless transmitter. Actuation of the travel control causes the wireless transmitter to transmit a first type signal designating a request to advance the vehicle in a first direction. The receiver is supported by the vehicle for receiving transmissions from the wireless transmitter. A traction control of the vehicle is responsive to a receipt of the first type signal by the receiver to cause the vehicle to advance.

**WO 2008/039649 A3**



**Published:**

- *with international search report*
- *before the expiration of the time limit for amending the claims and to be republished in the event of receipt of amendments*

**(88) Date of publication of the international search report:**  
26 February 2009

SYSTEMS AND METHODS OF REMOTELY CONTROLLING  
A MATERIALS HANDLING VEHICLE

BACKGROUND OF THE INVENTION

5           The present invention relates in general to materials handling vehicles, and more particularly, to systems and methods for integrating supplemental wireless remote control arrangements with materials handling vehicles for improved operation thereof.

10           Low level order picking trucks are commonly used for picking stock in warehouses and distribution centers. Such order picking trucks typically include load carrying forks, a power unit and a platform upon which an operator may step and ride while controlling the truck. The power unit has a steerable wheel and corresponding traction and steering control mechanisms, e.g., a movable steering arm that is coupled to the steerable wheel. A control handle attached to the steering arm typically includes the operational controls necessary for  
15           operating the truck, such as controls for raising and lowering the forks and for controlling the speed and direction (forward or reverse) of the truck.

20           In a typical stock picking operation, an operator fills orders from available stock items that are located in storage areas provided on both sides of a plurality of aisles of a warehouse or distribution center. The operator drives a low lever order picking truck to a first location where item(s) on a first order are to be picked. In a pick process, the operator retrieves the ordered stock item(s) from their associated storage area(s) and places the picked stock on a pallet, collection cage or other support structure carried by the forks of the order picking truck. The operator then advances the order picking truck to the next location where item(s)  
25           are to be picked. The above process is repeated until all stock items on the order(s) have been picked.

30           The operator normally steps onto the truck platform to ride on the order picking truck when the distance between consecutive picks is longer, for example twenty or more feet (approximately 6.1 meters). Correspondingly, the operator walks alongside the truck when the distance along the route between consecutive picks is short. Accordingly, some order picking trucks include jog switches located on the truck in the vicinity of the forks and/or on or near the control handle. The jog switches can be used by an operator walking alongside the order picking truck to accelerate the truck to a walking speed, typically between

approximately 1.6 miles per hour (3.3 kilometers per hour) to around 2.75 miles per hour (4.4 kilometers per hour) to move from one stock pick location to the next stock pick location without the need to step onto the platform of the order picking truck. However, for such actions, the operator is required to interrupt picking while the order picking truck is relocated  
5 to the next location. Thus, the operator may be required to move out of a desired working position or modify a desired walking route to reach the jog switches.

It is not uncommon for an operator to be required to repeat the pick process several hundred times per order. Moreover, the operator may be required to pick numerous orders per shift. As such, the operator may be required to spend a considerable amount of time  
10 relocating and repositioning the order picking truck, which reduces the time available for the operator to spend picking stock.

### SUMMARY OF THE INVENTION

According to an aspect of the present invention, a supplemental remote control system  
15 for a materials handling vehicle comprises a wearable wireless remote control device that is donned by an operator interacting with the materials handling vehicle. The wearable wireless remote control device includes a wireless transmitter and a travel control communicably coupled to the wireless transmitter, wherein actuation of the travel control causes the wireless transmitter to wirelessly transmit a travel request as a first type signal requesting the vehicle  
20 to advance in a first direction.

The supplemental remote control system further comprises a receiver for receiving transmissions from the wireless transmitter at the vehicle and a controller that is communicably coupled to the receiver and to a traction control system of the vehicle, the  
25 controller being responsive to receipt of the first type signal by the receiver to evaluate at least one vehicle condition, to decide whether to implement the travel request based upon the evaluation of the vehicle condition(s) and to cause the traction control system to advance the vehicle if the controller decides to implement the travel request based upon the evaluation of the condition(s).

30

According to another aspect of the present invention, a method of operating a supplemental remote control system for a materials handling vehicle comprises providing a wearable wireless remote control device that is donned by an operator interacting with the

materials handling vehicle, the wearable wireless remote control device having a wireless transmitter and a travel control communicably coupled to the wireless transmitter, wherein actuation of the travel control causes the wireless transmitter to wirelessly transmit a travel request as a first type signal requesting the vehicle to advance in a first direction.

5

The method further comprises providing a receiver for receiving transmissions from the wireless transmitter at the vehicle and providing a controller that is communicably coupled to the receiver and to a traction control system of the vehicle, the controller being responsive to receipt of the first type signal by the receiver to evaluate at least one vehicle condition, to decide whether to implement the travel request based upon the evaluation of the condition(s) and to cause the traction control system to advance the vehicle if the controller decides to implement the travel request based upon the evaluation of the condition(s).

According to yet a further aspect of the present invention, a method of synchronizing a transmitter and a receiver in a supplemental remote control system for materials handling vehicles comprises initiating a power on sequence to enable a materials handling vehicle for operation, the materials handling vehicle having a receiver for receiving wirelessly transmitted travel commands and entering a pairing mode to synchronize the receiver and a corresponding controller on the vehicle to select one of a plurality of wireless remote control devices, wherein the select one of the wireless remote control devices is associated with an operator of the materials handling vehicle.

The method further comprises receiving pairing mode confidence signals at the receiver of the vehicle, wherein each pairing mode confidence signal provides a transmitter identification that uniquely identifies a corresponding one of the plurality of wireless remote control devices within range of the receiver, matching a known transmitter identification code associated with the select one of the plurality of wireless remote control devices associated with the operator of the materials handling vehicle with a corresponding one of the pairing mode confidence signals received by the receiver and synchronizing the matched wireless remote control device associated with the operator to the receiver and the controller of the vehicle for communication therebetween.

## BRIEF DESCRIPTION OF THE SEVERAL VIEWS OF THE DRAWINGS

The following description of the preferred embodiments of the present invention can be best understood when read in conjunction with the following drawings, where like structure is indicated with like reference numerals, and in which:

5 Fig. 1 is a perspective view of a low level order picking truck according to various embodiments of the present invention;

Fig. 2 is a block diagram illustrating an exemplary system for remotely controlling traction, steer and/or brake functions of the truck illustrated in Fig. 1 in response to wireless remote commands according to various embodiments of the present invention;

10 Fig. 3 is a schematic illustration of the truck in a warehouse aisle according to various embodiments of the present invention;

Fig. 4 is a schematic illustration of the truck towards the end of an exemplary warehouse aisle illustrating a disabling zone according to various aspects of the present invention;

15 Fig. 5 is a flow chart illustrating an exemplary decision process of the controller on the truck of Fig. 1 according to various embodiments of the present invention;

Fig. 6 is an illustration of an exemplary remote control device according to various aspects of the present invention;

20 Fig. 7A and 7B are illustrations of components of a dockable communications device that docks to a corresponding garment according to various aspects of the present invention;

Figs. 8A and 8B are illustrations of a communications device donned by an operator according to various aspects of the present invention;

Fig. 9 is a flow chart illustrating a method of pairing a wireless remote transmitter to a receiver on a truck according to various aspects of the present invention;

25 Fig. 10 is a flow chart illustrating an exemplary method of pairing a wireless remote transmitter to a receiver on a truck according to various aspects of the present invention;

Fig. 11 is a flow chart illustrating an exemplary method of temporarily powering down a truck having a receiver that was previously paired with a wireless remote transmitter according to various aspects of the present invention; and

30 Fig. 12 is a flow chart illustrating an exemplary method of terminating a pairing between a receiver and a wireless remote transmitter according to various aspects of the present invention.

## DETAILED DESCRIPTION OF THE INVENTION



In the following detailed description of the illustrated embodiments, reference is made to the accompanying drawings that form a part hereof, and in which is shown by way of illustration, and not by way of limitation, specific embodiments in which the invention may be practiced. It is to be understood that other embodiments may be utilized and that changes  
5 may be made without departing from the spirit and scope of various embodiments of the present invention.

Various aspects of the present invention relate to wireless remote control arrangements that include a wireless remote control that is worn or otherwise secured to an  
10 operator for wireless remote operation of features of a materials handling vehicle such as a lift truck. Further, various aspects of the present invention relate to systems provided on a materials handling vehicle for responding to wireless remote control commands. Still further, synchronization and use operations are described to facilitate user interaction and wireless  
15 remote control of a materials handling vehicle according to various aspects of the present invention.

Referring now to the drawings, and particularly to Fig. 1, a materials handling vehicle, which is illustrated as a low level order picking truck 10 includes in general, a load handling assembly 12 that extends from a power unit 14. The load handling assembly 12 includes a  
20 pair of forks 16, each fork 16 having a load supporting wheel assembly 18. The load handling assembly 12 may include other load handling features in addition to, or in lieu of the illustrated arrangement of the forks 16, such as a load backrest, scissors-type elevating forks, outriggers and separate height adjustable forks, a mast, a load platform, collection cage or  
25 other support structure carried by the forks 16 or otherwise provided for handling a load supported and carried by the truck 10.

The illustrated power unit 14 comprises an operator's area 30 having a first end section 32 positioned opposite the forks 16, a second end section 34 positioned adjacent to the forks 16 and a step-through operator's station 36 dividing the first end section 32 from the  
30 second end section 34. A first work area is provided towards the first end section 32 of the power unit 14 and includes a control area 40 for driving the truck 10 and for controlling the features of the load handling assembly 12. The first end section 32 may also optionally comprise a first storage area 46, e.g., for securing loose items that a corresponding truck operator may wish to keep track of. The first end section 32 also defines a compartment 48

for containing a battery, control electronics and motor(s), such as a traction motor, steer motor and lift motor for the forks (not shown).

As shown for purposes of illustration, and not by way of limitation, the control area 40  
5 comprises a handle 52 for steering the truck 10, which may include controls such as grips, butterfly switches, thumbwheels, rocker switches, a hand wheel, a steering tiller, etc., for controlling the acceleration/braking and travel direction of the truck 10. For example, as shown, a control such as a switch grip 54 may be provided on the handle 52, which is spring  
10 biased to a center neutral position. Rotating the switch grip 54 forward and upward will cause the truck 10 to move forward, e.g., power unit 14 first, at a speed proportional to the amount of rotation of the switch grip 54. Similarly, rotating the switch grip 54 toward the rear and downward of the truck 10 will cause the truck 10 to move in reverse, e.g., forks 16 first, at a speed proportional to the amount of rotation of the switch grip 54. Devices may also be provided for sounding a horn or for performing other truck functions.

15

The step-through operator's station 36 provides a platform 56 upon which an operator may stand to drive the truck 10 and operate the load handling features of the truck 10. Presence sensors 58 may also be provided, e.g., on, above, or under the platform floor 56 or otherwise provided about the operator's station 36, to detect the presence of an operator on  
20 the truck 10 as will be explained in greater detail herein. In the exemplary truck of Fig. 1, the presence sensors 58 are shown in dashed lines indicating that they are positioned under the platform 56. Under this arrangement, the presence sensors 58 may comprise load sensors, switches, etc. As an alternative, the presence sensors 58 may be implemented above the platform 56, such as by using ultrasonic, capacitive or other suitable sensing technology.

25

The second end section 34 of the power unit 16 may comprise an operator rest pad or other suitable support structure, a grab bar 62 and a second storage area 64. An antenna 66 is provided for receiving control signals from a corresponding remote control device 70, which will be described in greater detail herein. As shown, radio frequency (RF) performance is  
30 facilitated by coupling the antenna 66 to the second end section 34 of the power unit 14, e.g., along or otherwise proximate to a vertically extending post 67 that may also support a light source 68. The placement of the antenna 66 above the light source 68 on the post 67 provides a convenient location for promoting RF reception and may eliminate variability from the light source 68 and its associated wires running past the antenna 66. Alternatively, the antenna 66

can be positioned anywhere else on the truck 10. The light source 68 may be utilized to provide information about the state of the truck 10 and/or state of wireless communication between a properly paired wireless remote control and the truck. For example, the light may illuminate when the truck 10 is in motion and blink or illuminate in defined patterns to  
5 indicate prescribed conditions.

The grab bar 62 may be used by the operator as a grasping surface, e.g., when entering, exiting or operating the truck 10. Additionally, the grab bar 62 and other included posts, e.g., an additional optional grab bar towards the first end section 32 (not shown) may  
10 be further utilized, for example, to support accessories such as scanners, computers, radios, communications devices and other electronics, lights, clipboards, fans, storage units and other work or convenience related accessories, or other required items for performing intended tasks within an application. For example, the grab bar 62, or second end section 34 in  
15 general, may be used to mount supplemental operational controls.

The exemplary truck 10 is provided for illustration and not by way of limitation. In practice, the truck 10 may be implemented in other formats, styles and features, such as an end control pallet truck that includes a steering tiller arm that is coupled to a tiller handle for steering the truck. In this regard, the truck 10 may have similar or alternative control  
20 arrangements to that shown in Fig. 1.

In addition to or in lieu of the light source 68, an indicator, e.g., audible, visible etc., may be associated with the remote control system as will be described in greater detail herein. For example, as shown, the truck 10 may include an indicator such as a strobe light 72, which  
25 is illustrated as being positioned on or adjacent to the second end section 34 of the power unit 14 mounted relatively low to the ground. The indicator may alternatively be mounted in any other practical location, e.g., on a load backrest, on a vertically extending pole such as the light source 68, or other part of the truck 10.

The strobe light 72 may be set to a unique pattern that is associated with remote control operation. As such, when the truck 10 is not operating under wireless remote control, the strobe pattern can change relative to when the truck 10 is operating under wireless remote control. For example, the strobe light 72 may be turned off or changed in intensity, pattern etc. when the truck 10 is not under wireless remote control. Comparatively, the strobe can  
30

flash when the truck 10 is under wireless remote control. The speed, intensity or other patterns can vary based upon the operating conditions of the truck, e.g., to indicate motion, fault conditions, etc. As illustrated, the light pattern 74 from the strobe light 72 is directed generally downward at an angle towards the forks 16. As such, the strobe area is not  
5 distracting to the operator or to other people in the vicinity of the truck 10, e.g., in the working aisle of the truck 10, yet is apparent and visible to the operator and other people in the vicinity of the truck 10.

The truck 10 may also comprise one or more object sensors 76, which are provided  
10 about the truck 10, e.g., towards the first end section 32 of the power unit 14 and/or to the sides of the power unit 14. The object sensors 76 may comprise any suitable proximity or contact detection technology, such as an ultrasonic sensors, optical recognition devices, infrared sensors, etc. For example, the object sensors 76 may be implemented by Bosch  
15 URF6 ultrasonic sensors and a corresponding controller.

The object sensors 76 may be used to detect the presence of objects within a predefined area of the power unit 14, such as within a predefined detection area 78 as illustrated in dashed lines. In practice, the range of each object sensor 76 may be different, and the sensor detection areas 78 may overlap or otherwise be arranged, depending upon the  
20 specific implementation and selection of proximity detecting technology. For example, the object sensors 76 towards the front of the power unit 14 may have a range of approximately 0-5 feet (0-1.5 meters) and the object sensors 76 to the sides of the power unit 14 may have a range of approximately 0-2 feet (0-0.6 meters). Moreover, the detection range of the object  
25 sensors 76 may be adjustable or be otherwise made dynamically variable. For example, the range of the object sensors 76 may be extended if certain operating conditions are detected, etc. As an example, the range of the object sensors 76 may be adjusted based upon the speed of the truck 10 when advancing under wireless remote control.

Further, the truck 10 may comprise one or more load presence sensors 80. The load  
30 presence sensor(s) 80 may comprise proximity or contact technology, e.g., a contact switch, a pressure sensor, an ultrasonic sensor, optical recognition device, infrared sensor or other suitable technology that detects the presence of a suitable load carrying structure, e.g., a pallet or other platform, collection cage, etc. The load presence sensor(s) 80 may be mounted

towards the front of the power unit 14, to a load backrest or other suitable support structure, the location of which will likely depend upon the technology deployed.

Referring to Fig. 2, a block diagram 100 illustrates a control arrangement for  
5 integrating remote control commands with the truck 10. The antenna 66 is coupled to a receiver 102 for receiving commands issued by the remote control device 70. The receiver 102 passes the received commands to a controller 103, which implements the appropriate actions in response to the received commands, e.g., by operating relays or other actuation devices controlled by electricity, magnetics, hydraulics, pneumatics, etc., or by  
10 communicating with other truck components. The controller 103 may also receive other inputs 104 from other sources, such as switches, encoders and other input devices available to the truck 10 to determine appropriate action in response to the received commands from the remote control device 70.

15 In one exemplary arrangement, the remote control device 70 is operative to wirelessly transmit a travel request as first type signal, also referred to herein as a “travel signal” or “go signal” to the receiver on the truck 10. The travel request is used to request the truck 10 to advance or jog in a first direction. The first direction may be defined, for example, by movement of the truck 10 in a power unit 14 first, i.e., forks 16 to the back, direction.  
20 However, other directions of travel may alternatively be defined. Moreover, the truck 10 may be controlled to travel in a generally straight direction or along a previously determined heading.

The first type signal is received by the receiver 102 and is communicated to the  
25 controller 103. If the controller 103 determines that the travel signal is a valid travel signal and that the current vehicle conditions are appropriate (explained in greater detail below), the controller 103 sends a signal to the appropriate control configuration of the particular truck 10 to advance and then stop the truck 10. As will be described in greater detail herein, stopping the truck 10 may be implemented by either allowing the truck 10 to coast to a stop, by  
30 applying a brake to stop the truck.

As an example, the controller 103 may be communicably coupled to a traction control system, illustrated as a traction motor controller 106 of the truck 10. The controller is responsive to receipt of the first type signal by the receiver 102 to evaluate at least one vehicle

condition, to decide whether to implement the travel request based upon the evaluation of the vehicle condition(s) and to cause the traction control system to advance the vehicle if the controller decides to implement the travel request based upon the evaluation of the condition(s).

5

The traction motor controller 106 is coupled to a traction motor 107 that drives at least one steered wheel 108 of the truck 10. The controller 103 may communicate with the traction motor controller 106 in such a way so as to limit the speed of the truck 10 in response to receiving a travel request from the remote control device 70. For example, the travel speed of the truck 10 may be limited to typical walking speed, e.g., up to or around 2.75 miles per hour (4.4 kilometers per hour).

There may be noise and/or interference, e.g., from other wireless and remote control systems in the vicinity of the truck 10. As such, either the receiver 102 or the controller 103 may perform signal analysis to discriminate valid travel signals from invalid signals. For example, the controller 103 may determine that the receiver 102 has provided a travel signal at an improper frequency or on an improper channel. Moreover, an operator and/or transmitter identification (ID) code may be embedded into the travel request as will be described in greater detail below. Under such a case, the controller 103 may be operatively configured to respond to messages bearing only certain ID codes or to exclude/disregard commands from certain ID codes.

Also, the travel signal may be detected at a power level that is too strong or too weak to be considered a valid signal. For example, if a signal is too strong, it may indicate that an operator is too close to the truck 10 to initiate automated travel. Correspondingly, if a signal is too weak, that may indicate that an operator has exceeded a predetermined range from the truck 10 for allowed remote control.

Still further, the controller 103 may require an acknowledgement signal or other bi-directional communication from the remote control device 70 that was not timely received. For example, the controller 103 may be coupled to a transmitter 109 on the truck 10 to facilitate bi-directional communication with the wireless remote control device 70. Under these and other similar circumstances, the controller 103 may opt to disregard a received travel request and not take action if the bi-directional communication is not properly

confirmed. Still further, bi-directional communication may be utilized for pairing the receiver 102 in the truck 10 to a corresponding instance of a wireless remote control device 70 as will be described in greater detail herein.

5           The controller 103 may also refuse to acknowledge the travel signal depending upon vehicle condition(s) that relate to environmental or operational factors. For example, the controller 103 may disregard an otherwise valid travel request based upon information derived from one or more of the sensors 58, 76, 80. In this regard, the sensors 58, 76, 80 etc. may be coupled to the controller 103 via the inputs 104 or via a suitable truck network, such  
10 as a control area network (CAN) bus 110. Any other number of reasonable conditions may also/alternatively be implemented by the controller 103 to interpret and take action in response to received signals.

          The CAN bus 110 facilitates a convenient platform for the controller 103 of the truck  
15 10 to communicate with any truck system or module connected to the CAN bus 110 to make decisions as to how to implement commands received from the remote control device 70. Moreover, relevant information derived from the truck 10 can be communicated back to the remote control device 70 by utilizing the transmitter 110 in the truck 10 to communicate with a corresponding receiver in the remote control device 70.

20           The CAN protocol is a convenient network platform for material handling vehicles as there is no addressing of subscribers or stations in the conventional network sense. Rather, the CAN defines a prioritized system of transmitted messages where the priority of a given message broadcast across the CAN bus 110 is dependent upon a corresponding message  
25 identifier code. A message broadcast from a first module can be received by all nodes or modules connected to the CAN bus 110. Thus, the controller 103 can make intelligent decisions with regard to wireless remote control and/or to the exchange of information with a corresponding paired wireless remote control 70 based upon any number of factors, states, conditions, etc., that can be conveyed across the CAN bus 110.

30           The network may alternatively comprise any other bus system, e.g., a Local Interconnect Network (LIN) or a Vehicle Area Network (VAN), etc., or communications capabilities, such as a wiring harness, bus other signal propagation manner or other control

network. As such, the various controllers and electronics on the truck 10 may broadcast, unicast or otherwise communicate with each other.

Upon acknowledgement of a valid travel request, the controller 103 interacts with the traction motor controller 106, e.g., via the CAN bus 110 or other communication coupling, to advance the truck 10. Depending upon the particular implementation, the controller 103 may interact with the traction motor controller 106 to advance the truck 10 by a predetermined distance. Alternatively, the controller 103 may interact with the traction motor controller 106 to advance the truck 10 for a period of time in response to the detection and maintained actuation of the control on the remote 70. Further, the truck 10 may be configured to jog for as long as a travel control signal is received. However, the controller 103 may further be configured to “time out” and stop the travel of the truck 10 based upon a predetermined event, such as exceeding a predetermined time period or travel distance regardless of whether maintained actuation of a corresponding control on the transmitter 70. Other control arrangements may alternatively be implemented for effecting the range, duration, speed, etc. of the truck 10 when operating under wireless remote control, examples of which will be set out in greater detail herein.

The controller 103 may also communicate, e.g., via the CAN bus 110 or otherwise, with a steer control system to cause the truck 10 to adjust a travel path of the truck 10. For example, the controller 103 may communicate with a steer controller 112 to command or otherwise control a steer motor 114 or other suitable control device, which also couples to the steered wheel(s) 108 of the truck 10. For example, the controller 103 may straighten out the truck 10, or adjust a steer angle of the truck 10 before or during a wireless remote control initiated travel operation. As such, the controller 103 may default to a mode of operation wherein the truck 10 travels in a straight direction or along a predetermined heading when the truck 10 is moving under wireless remote control in response to receipt of a travel request. The controller 103 may further impose a steer angle limit during remote control operations if the truck 10 is to travel in a direction where the steered wheel(s) 108 is not straight. For example, the controller 103 may limit the angle that the truck 10 can travel when executing remote controlled travel requests to a range of approximately 5 to 10 degrees. Thus, in addition to jogging the traction motor 107, the controller 103 may also straighten out or otherwise adjust or control the steered wheel 108.



The remote control device 70 may also be operative to transmit a second type signal, such as a “stop signal”, designating that the truck 10 should brake and/or otherwise come to rest. The second type signal may also be implied, e.g., after implementing a “travel” command. The second type signal is received by the receiver 102 and is communicated to the controller 103. If the controller 103 determines that the stop signal is a valid stop signal, the controller 103 sends a signal to a brake control system, e.g., via the CAN bus 110 or otherwise. For example, the controller 103 may communicate with a brake controller 116 of the truck 10 to cause an appropriate brake arrangement 117 to bring the truck 10 to rest. As an alternative to a stop signal, the second type signal may comprise a “coast signal”, designating that the coast should allow the truck 10 to eventually come to rest. For example, if a coast signal is recognized by the controller 103 as a valid coast signal, then the controller 103 may disengage drive to the truck 10, e.g., by instructing the traction controller 106 to stop applying a signal to drive the traction motor 107, but otherwise allow the truck 10 to coast and gradually slow to a stop. Any number of reasonable conditions or factors may be considered by the controller 103 to interpret and take action in response to received stop or coast signals.

The time that it takes to bring the truck 10 to a complete rest may vary, depending for example, upon the intended application, the environmental conditions, the capabilities of the particular truck 10 and other similar factors. For example, after completing an appropriate jog movement, it may be desirable to allow the truck 10 to “coast” some distance before coming to rest so that the truck 10 stops slowly. This may be achieved by utilizing regenerative braking to slow the truck 10 to a stop so that a predetermined range of travel distances may be achieved from the initiation of the stop operation until the time in which the truck finally comes to rest. Alternatively, a braking operation may be applied after a predetermined delay time to allow a predetermined range of additional travel to the truck 10 after the initiation of the stop operation. It may also be desirable to bring the truck 10 to a relatively quicker stop, e.g., if an object is detected in the travel path of the truck 10 or if an immediate stop is desired after a successful jog operation. For example, the controller may apply predetermined torque to the braking operation. Under such conditions, the controller 103 instructs the brake controller 116 to apply the brakes 117 to stop the truck 10.

Moreover, if a truck disable function is implemented, the truck may stop with maximum braking torque. For example, the wireless remote control 70 may include a disable

control that transmits a message instructing the truck 10 to brake and/or shut down. In response to the disable function, the truck 10 may also switch off a main contactor 118 that is utilized to power up the truck 10. Under this arrangement, the truck 10 may require a restart operation, e.g., by using a key switch or other suitable configuration to re-initiate a truck  
5 startup procedure. The controller 103 may also interact with other truck outputs 119 to implement desired activities, e.g., to control a horn, light source, display, etc. As such, the controller 103 may interact with various components of the truck 10, with the operator and with wireless remote control devices 70 to implement various traveling, stopping, coasting and power enabling strategies.

10

As noted above, the controller 103 may communicate with the brake controller 116 to cause the brake arrangement 117 to bring the truck 10 to rest under various conditions. For example, the outputs of the object sensors 76 may be overridden while the operator is driving the truck 10, for example, to allow the operator to navigate the truck 10 in tight spaces and  
15 around corners that might otherwise activate one or more of the object sensors 76. However, the outputs of the object sensors 76 may be effective and not overridden when no operator is sensed on the truck 10. As such, the controller 103 may communicate with the brake controller 116 to stop the truck 10 if the controller 103 determines that an object is in the path of travel of the truck 10, e.g., as detected by the object sensors 76 during travel in response to  
20 receiving a remote travel request from the remote control device 70.

Additionally, the controller 103 may refuse to implement a travel request in response to receiving a travel signal from a corresponding wireless remote control 70 if the platform presence sensor(s) 58 detect the presence of an person on the truck, or where the load  
25 presence sensors 80 indicate that a corresponding load platform, e.g., a pallet, is not in position on the forks of the truck. Still further, the controller 103 may communicate with the brake controller 108 to stop the truck 10 if the load presence sensors 80 detect a change of the load platform from a valid designated position.

30 The remote control device 70, the receiver 102 and the transmitter 109 may communicate over a range of frequencies, thus allowing the remote control device 70 and corresponding truck 10 to lock onto a frequency or frequencies that have minimal interference from outside sources. Additionally, any number of wireless technologies may be utilized to

facilitate interaction between the truck 10 and the remote control 70, including the use of spread spectrum technologies.

As an example, technologies such as a Bluetooth communications link or a derivative thereof, may be formed between the transmitter in the remote control device 70 and the receiver 102 on the truck 10. The Bluetooth and similar communication technologies allow control over remote output power intensity, adjustable output power, multiple sub-channels and frequency hopping to reduce the likelihood of noise and other interference in the work area. Bluetooth bandwidth may also simplify transmission of voice control, as will be described in greater detail herein.

If the truck 10 includes a tiller arm instead of the illustrated steering control, the truck may include a steering arm brake. As such, a steering arm locking device may be provided for placing the truck into a coast mode of operation when using the remote, for example, as disclosed in U.S. Pat. No. 6,595,306, assigned to the same assignee, and which is herein incorporated by reference.

Referring to Fig. 3, the remote control device 70 and the corresponding receiver 102 may be configured so that wireless control is operable over a predetermined distance. The truck 10 is situated in a typical warehouse aisle 120 having a plurality of storage locations 122 on either side of the aisle 120. As illustrated, the remote control device 70 is capable of communicating with the truck 10 over a range designated by the dashed path radius 130. The range may vary depending upon a particular implementation. For example, a range of operation may depend upon an anticipated distance that an operator is expected to walk from the truck 10 to pick an item during a picking process. In an illustrative example, this distance may be approximately 25 feet (7.62 meters). Moreover, the range of operation need not be the same in all directions or under all conditions. For example, the range of operation may have a pattern that is elliptical or in some other directional pattern, etc. Still further, there may be a minimum range, within which the wireless remote control may be nonfunctional. As described above, the controller 103 may discriminate signals that are too strong, suggesting that the operator is either standing on, or is in too close of proximity to the truck 10 for remote operation. As yet another example, the operation range may be affected by operating conditions and environmental conditions, such as the speed of the truck, where the truck is located within a facility, etc.

It may be desirable to set or otherwise program the range of the object sensors 76 for detecting obstacles in the path of the truck 10, which is traveling in response to receiving a travel request from the remote control device 70. For example, as shown, each of the object sensors 76 are set to detect objects in their path within a distance, which is schematically suggested by the range designated by the dashed detection area 78 proximate to each object sensor 76. The side-located object sensors 76 are not illustrated in Fig. 3 for clarity of discussion. The range of the object sensors 76 may also be configured to change, either statically or dynamically. For example, the range of the object sensors 76 may change as the speed of the truck 10 changes in response to received jog commands, etc.

For each actuation of the travel request on the remote control device 70, the operator can advance the truck 10 without taking the time to physically engage the controls on the truck 10. For example, upon issuing a travel request via the remote control device 70, the operator may walk towards the next item to be retrieved, or perform some other task. The truck 10 automatically travels forward by an amount corresponding to the travel request. For example, if travel for a predetermined distance is commanded, after traveling the predetermined distance, the truck 10 stops, without requiring a separate control action from the operator. Alternatively, the truck 10 may stay in motion for as long as a jog command is issued by the transmitter 70, e.g., by maintained actuation of a travel button. Under this later configuration, the truck 10 continues to travel until the operator releases the travel button, the operator engages a stop or coast button, a specified maximum continuous travel time expires or some other appropriate action stops the truck 10.

As an example, of a first optional manner in which an operator can interact with the truck 10, assume that an operator travels with the truck 10 down the aisle 120. A first row 142 of storage locations 122 is located on a first side of the truck 10. A second row 144 of storage locations 122 is located on a second side of the truck 10. Each of the first and second rows 142, 144 of storage locations 122 include a plurality of individual storage areas, which may be bins, pallets, delineated or otherwise designated areas, etc. Moreover, each storage location 122 may comprise several independent storage areas that are vertically stacked, such as in a racking system in a warehouse facility or distribution center. As such, there may be multiple levels of storage at each storage location 122. During automatic operation of the truck via the remote control device 70, the truck 10 travels down the isle 120. For example,

the truck 10 is illustrated traveling with the power unit 14 forward as illustrated by the directional arrow 132. Thus, the forks 16 are towards the back of the truck 10 when traveling under remote control. Other travel directions may be alternatively implemented.

5 Assume that the operator is initially located at position A, and that an item is to be picked from a storage location 122 designated as storage location "122-1" in row 144. The operator walks from position A to the storage location "122-1" to retrieve the desired pick item. After picking the desired contents, the operator is at position B, which is just in front of storage location "122-1". It is further assumed that the operator has advanced or is in the  
10 process of advancing the truck 10 using the remote control device 70 such that a load platform 146 that is situated on the forks 16 of the truck 10 is located at position C, which is in the vicinity of position B. The operator need not carry any item(s) of the pick order to the truck 10 when walking from position A to storage location "122-1". Moreover, by the time that the operator arrives at position B with the item(s) picked from storage location "122-1"  
15 (or shortly before or thereafter), the truck 10 has come to rest at position C. Thus, the operator need only carry the pick item(s) a relatively short distance from storage location "122-1 to position B.

After placing the pick onto the load platform 146 of the truck 10, the operator may  
20 then step onto the truck 10 to drive to the next location, or if there are additional items to be picked in the current aisle 120, the operator may move the truck 10 using the travel control of the remote control device 70.

Continuing with the above example, it is assumed that the operator is now located at  
25 position B, and that an item is to be picked from a storage location 122 designated as storage location "122-2" in row 142. The operator walks from position B to storage location "122-2" to retrieve the desired pick item. Moreover, the operator initiates a wireless remote control travel request, e.g., by using the remote control device 70 to wirelessly transmit a first type ("travel") signal to the receiver on the truck 10. By the time that the operator arrives at  
30 position D with the item picked from storage location "122-2" (or shortly before or thereafter), the truck 10 has traveled under wireless remote control from position C and has come to rest at position E, which is in the vicinity of position D. Again, the operator places the retrieved item on the load platform 146 of the truck 10 in a manner that minimizes the distance that the operator must walk while carrying items on the pick order.

Moreover, by moving the truck 10 foreword while picking, the time required to pick from a given aisle 120 can be reduced because the operator need not interrupt the pick process to reposition or reorient the truck 10. Still further, as schematically illustrated, a single  
5 actuation of a travel control on the remote control device 70 may cause the truck 10 to advance a distance S1 and then stop. As such, after actuating the travel control via the remote control device 70, the truck 10 is positioned in a convenient place for the operator to place previously retrieved items in a manner that minimizes the distance that the operator must  
10 carrying the picked item(s). Moreover, because the operator need not disrupt picking or other work related tasks, the operator may save energy and time in completing a given task, e.g., compared with an operation wherein the operator is required to continually stop working to advance the truck to its next location.

One measure of productivity of an operator is the time that the operator spends at the  
15 pick face. That is, how much time is spent picking orders compared to time spent relocating the truck 10 and performing other tasks not immediately related to locating and loading pick items. As is evident in the discussion above, the time required to relocate the truck 10 has been reduced allowing the operator to spend more time picking items. Moreover, the truck 10  
20 can be remotely controlled to always stay in front of the operator, allowing the operator to work towards a load carrying portion of the truck 10. This minimizes the distance that the operator must travel to fetch and load pick items, and further reduces the distance that the operator must walk while carrying the pick items. This may become significant, especially where the forks 16 of the truck 10 are relatively long. For example, certain forks 16 can  
25 support triple length loads, such as three pallets.

Moreover, warehouse management system software that directs operators in their  
picking operations can take into account the remote travel control of the truck 10 when  
30 planning pick orders so that the advantages of the remote control can be further enhanced by more efficient computer processing when preparing the pick orders.

Referring to Fig. 4, according to an aspect of the present invention, additional features may be incorporated into the warehouse or other facility and/or to the truck 10 to provide  
enhanced functionalities. For example, the wireless remote jog control functionality may be  
disabled in certain locations about a facility, such as at the end of aisles, at crossing or

intersecting passageways, at loading or receiving dock areas, at areas of high pedestrian traffic, etc. To illustrate this feature, assume that wireless remote jog control is to be disabled on the truck 10 as the truck 10 approaches the end of an aisle 120. To facilitate disabling wireless remote jog control of the truck 10 at a predetermined location, the truck 10 includes  
5 one or more devices 148, such as radio frequency identification (RFID) antennas. Corresponding RFID tags 150 are positioned at the end of the aisle at a suitable position.

The devices 148 generate signals in response to detecting the end of the aisle, e.g., by sensing the corresponding RFID tags 150, which trigger the truck 10 to stop if it is under  
10 wireless remote jog control. For example, signals from the devices 148 may couple to corresponding inputs, e.g., appropriate ones of the inputs 104 on the controller 103. For example, if the controller 103 detects an appropriate signal from one of the devices 148 and the controller 103 detects that it is currently operating the truck 10 in response to a travel request from the remote control device 70, the controller may issue an appropriate command  
15 to the brake controller 116 to stop the truck 10.

In the illustrated example, the aisle 120 is 15 feet (approximately 4.6 meters) wide and the RFID antennas 148 are configured to detect the corresponding RFID tags 150 within a radius of 13 feet (approximately 3.9 meters). This provides sufficient overlap of coverage in  
20 the aisle 120 for detection by the truck 10 and provides ample distance for the exemplary truck 10 to brake or otherwise come to a rest proximate to the end of the aisle. In practice, other ranges may be utilized and may be varied, based for example, upon the stopping requirements of the truck 10 and corresponding wireless remote control implementation, the sensing technology utilized and other suitable factors.

25

Referring to Fig. 5, a method 200 of implementing the travel function is illustrated. The method 200 may be implemented, for example, by the controller 103 on the truck 10. As noted herein, the controller 103 may be responsive to receipt of a travel request from the remote control device 70 to cause the truck 10 to advance unless at least one condition is  
30 satisfied. The method 200 sets out various exemplary vehicle conditions that may affect how the controller 103 interprets travel requests from the remote control device 70.

The process waits to receive a travel request at 202. If no travel request is received, the process continues to wait. If a travel request is received, the process may either

implement the travel request 202 or perform optional checks or evaluations of vehicle conditions to determine whether to acknowledge or otherwise implement the travel request, examples of which are illustrated at 204, 206, 208 and 210.

5 For example, the process may require that the truck is stopped before recognizing a new travel request. This vehicle condition requirement may be implemented, for example, where the controller 103 limits the maximum amount of continuous travel of the vehicle without stopping while under wireless remote control in response to receipt of the first type (travel request) signal(s). In this regard, the controller 103 may determine whether the truck  
10 is currently stopped at 204, e.g., using feedback from an encoder or other suitable device to detect motion of the truck. If the truck is not stopped, the process may optionally wait until the truck has come to rest or the process may ignore or otherwise terminate evaluation of whether to implement the received travel request as indicated by the dashed lines.

15 Moreover, the process may require that not only that the truck be stopped, but that there is no movement of the truck for a predetermined period of time. Thus, for example, if the truck is stopped, the process may determine whether a predetermined interval has passed after detecting that the truck has come to rest at 206. If the predetermined interval has not passed, the process may wait until the predetermined interval has lapsed or the process may  
20 ignore or otherwise terminate processing of the received travel request as indicated by the dashed lines.

The process may also check at 208 for vehicle conditions such as operational and/or environmental conditions that would affect operation of the truck in response to a remote  
25 travel request. If the vehicle condition check(s) indicate that it is okay to proceed processing the received travel request, then processing continues. Otherwise, the process may wait to resolve the condition, or the process may ignore or otherwise terminate processing of the received travel request as indicated by the dashed lines.

30 Operational and environmental conditions that may cause the process to ignore or otherwise refuse to implement a travel request from the remote control device 70 may include factors such as detecting an operator on the platform, detecting an object in the travel path of the truck, detecting that the truck is in an area or location where wireless remote control is not allowed, e.g., at the end of aisles or at intersections such as by using the RFID tags described



with reference to Fig. 4, detecting the lack of a pallet or other suitable carrier structure on the forks of the truck, detecting that an invalid operator is logged into the truck and/or that the truck is paired with an unauthorized user, detecting that the power level of the received travel request is outside a range, e.g., too weak indicating that the operator is out of a predetermined maximum range, or too strong, indicating that the operator is too close to the truck, etc. Thus, the operator may have to wait, clear an obstacle, or otherwise remedy a condition before the truck is ready to respond to remote travel requests.

The process may also check that a steer angle of the truck is within a predetermined range of steer angles at 210. If the steered wheel(s) of the truck are turned beyond the predetermined range, the steer angle may be corrected at 212. Alternatively, the system may default the steered wheel to a predetermined position, e.g., steered straight or the system may ignore or otherwise terminate processing of the received travel request.

The truck is then moved forward at 214. For example, if each evaluated vehicle condition is satisfied by the controller as allowing remote travel, the controller causes the traction control system to advance the truck. The truck may also sound an alarm or provide other forms of audible or visual cues when the truck is traveling in response to wireless remote control commands, or when the travel control on the remote control device 70 remains actuated, such as by using the light source 68 and/or the indicator such the strobe light 72. As further illustrative examples, a horn and/or other cue may be controlled by relays or other suitable switching devices to be active concomitantly with engagement of the traction motor while the truck operates in response to wireless remote control commands.

The process checks at 216 to determine whether a predetermined stopping event has occurred. For example, the process may check to determine whether the operator has deactivated the travel control on the remote control device 70. Upon deactivating the travel control, the truck stops, e.g., by applying a brake, by coasting or by performing other suitable stopping operations. The process may also check at 216 to determine whether a predetermined time of travel, distance of travel or other like event has passed in response to movement of the vehicle in response to wireless remote control.

For example, the truck may be configured to travel a maximum distance of continuous movement in response to a single wireless remote control travel request. As another example,

the truck may be configured to travel a maximum distance of continuous movement in response to repeated successive wireless remote control travel requests. An exemplary range may comprise a travel distance limited to 25-50 feet (approximately 7.6 meters to 15.2 meters). As another example, the truck may be configured to travel for up to a predetermined maximum continuous travel time.

Other exemplary stopping events may comprise vehicle conditions e.g., as imposed by predefined travel limits, receiving a stop or disable command, detecting an obstacle in the travel path of the truck 10, detecting a person on the truck, detecting a change in the position of the load carrying device (e.g., pallet, cage), detecting mechanical, electrical, pneumatic, hydraulic abnormal conditions of the truck, etc. If the predetermined stopping event is met at 216, the truck is stopped or controlled to coast to a rest at 218 and the system resets. If the operator issues a travel request from the wireless control device 70 before a given task is complete, the system may wait for the current task to complete before issuing the next command.

According to various aspects of the present invention, the remote control device 70 is a wearable wireless remote control device that is donned by the operator who is interacting with the truck. In general, the wearable wireless remote control device may comprise a wireless transmitter and a travel control, e.g., a button or switch that is communicably coupled to the wireless transmitter. As will be described in greater detail below, actuation of the travel control causes the wireless transmitter to transmit a first type signal requesting the truck to advance in a first direction. Depending upon the particular implementation, the wireless remote control device may further include a power pack such as a battery for powering the remote control device electronics, a control area where the travel control is located on the operator, e.g., on or about a hand of the operator and a communications link between the transmitter and the control area where the transmitter is physically spaced from the control area when worn by the operator.

Referring to Fig. 6, an exemplary garment 250 comprises a glove-like structure donned by a hand of the operator. The illustrated garment 250 includes a first control area 252, a docking area 254 that supports a detachable transmitter and power pack and a communications link implemented as a circuit 256 that interconnects the first control area 252 to the docking area. As shown, the control area 252 includes a first control 258, e.g., a button

that is oriented to the side of a finger portion of the garment 250. In an illustrative example, the button extends from a glove finger through which the index finger of the truck operator extends when the garment 250 is properly donned. The button orientation provides a main face of the button juxtaposed with the thumb of the truck operator. As will be described in  
5 greater detail below, this configuration allows the truck operator to reach and actuate the first control 258 using their thumb, thus enabling operation of the remote control device 70 using a single hand gesture. Moreover, as will be described in greater detail below, this hand gesture may be performed even while performing work operative tasks such as holding or carrying boxes, scanning devices, tools, etc.

10

The docking area 254 includes a plurality of connection pads 260 that electrically couple to the first control area 252 via the circuit 256. As an example, the circuit 256 may comprise a flexible circuit that is integrated into or otherwise concealed by the material construction of the garment 250. The circuit 256 further supports one or more antennas 262.

15

The docking area 254 is configured to receive a corresponding detachably mountable communications device 264. For example, the communications device 264 may comprise pads that couple the contacts 260 in the docking area when the communications device 264 is properly docked into the garment 250. The communications device 264 may be snapped, locked, secured using a hook and loop fastener such as a hook and loop fabric or material sold  
20 under the trademark Velcro® by Velcro Industries, Manchester New Hampshire, USA, secured using magnetic forces or other suitable technique.

20

Referring to Figs. 7A and 7B generally, a cover of the communications device 264 has been removed to illustrate an exemplary arrangement of components on a first surface (shown  
25 in Fig. 7A) and components on a corresponding second surface (shown in Fig. 7B) of a circuit board of the communications device 264. The communications device 264 comprises a carrier 270, e.g., a double sided printed circuit board that includes on a first side thereof, regulator circuitry 272 for regulating the power utilized to operate the communications device 264, display indicators 274 such as Light Emitting Diodes (LEDs) that provide a visual  
30 feedback as to the operation of the communications device 264, input components 276, such as switches, a processor 278 and a crystal 280 or other suitable processor clocking circuitry (if necessary by the particular processor). The carrier further supports on a second side thereof, a battery 282, a communications circuitry 284 such as a transmitter, receiver, transceiver, etc.,

30

and contacts 286 that communicate with the connection pads of the docking area 254 when the communications device 264 is docked in a corresponding garment 250.

5 The display indicators 274 may be utilized to provide a visual feedback to the operator as to the state of the remote control system. For example, a first one of the indicators may be used as a fault condition indicator. For example, an LED may illuminate an “X” symbol centered in a circle (best seen in Fig. 6) to indicate a fault condition such as where the “Go” button 258 is not connected, where any one of the buttons is shorted or faulty, where the radio link is down, where there is no receiver ID paired with the transmitter as will be explained in  
10 greater detail below, etc. Another indicator 274 may be utilized to indicate a low battery as represented by the icon of a battery, which is best seen in Fig. 6. Other uses of the indicators may be implemented, and more or less than two indicators may be provided. The remote control device 70 may further include additional alert elements such as a display screens sounds or other features that provide a visual and/or audible cue as to the status of the remote  
15 and/or the associated truck 10.

The input components 276 may comprise for example, two buttons. A first one of the buttons may correspond to a horn button. When the horn button is pressed, a corresponding message is transmitted to the receiver 102 on the truck 10 to sound the truck horn. A second  
20 one of the buttons may comprise an emergency disconnect button. Pressing this button causes an emergency disconnect command to be transmitted to the receiver 102 on the truck 10. In response to receiving an emergency disconnect command, the truck 10 may stop and power down, thus requiring an operator to reinitiate a startup procedure to restart the truck as described in greater detail herein.

25

The transmitter in the communications circuitry 284 may transmit information in an analog or digital form using any suitable proprietary or standardized wireless transmission formats. For example, transmission may be realized using existing technologies, such as 802.11, 802.16, Bluetooth, short message service (SMS), amplitude shift keying (ASK), on-  
30 off keying (OOK), wireless local area network (WLAN), code division multiple access (CDMA), amplitude modulation (AM), frequency modulation (FM), universal mobile telecommunications system (UMTS), cellular phone technology such as global system for mobile communications (GSM), etc. In practice, the manner in which the transmitter transmits messages should correspond to a format that is recognizable by the corresponding

receiver on the truck 10. Moreover, the communications circuitry 284 of the remote control device 70 may also contain its own receiver for bi-directional communication with a corresponding truck 10.

5           When the communications device 264 is properly docked on a corresponding garment 250, the remote control device 70 provides a convenient platform for enabling a truck operator to remotely control their vehicle. For example, a user can operate the “Go” button 258, which communicates with the processor 278 of the communications device 264 via the circuit 256 and corresponding contacts 260 and connection pads 286. The go button causes  
10 the processor 278 to format and transmit a travel request that advances the truck if the travel request is received by the truck and is determined to be a valid command.

          If the travel request is properly received by the receiver 102 and is determined to be a valid travel request, the truck 10 may be wirelessly remotely controlled to travel for a  
15 prescribed time and/or distance, and then enter a controlled brake or coast as described in greater detail herein. The button 258 may alternatively facilitate travel of the truck 10 for as long as there is maintained actuation of the button 258 (or until an intervening event occurs, such as the truck 10 reaching a maximum travel distance, travel time, detecting an environmental or operational condition that stops the truck, etc. The control area 252 and/or  
20 communications device 264 may also optionally include steer and or directional controls to provide commands to the truck to adjust the truck’s steer angle as described in greater detail herein.

          Still further, an optional Stop button may be provided, e.g., within the control area 252  
25 and/or on the communications device 264 to stop the truck, which may be useful where the coast function is implemented. If the stop command is properly received by the receiver 102, the truck 10 will be controlled to come to a controlled stop. Alternatively, an optional additional button may correspond to a coast command, which, if properly received by the receiver 102 on the truck 10, will cause the truck 10 to coast to a rest.

30

          When any of the buttons on the remote control device 70 are pressed, the processor 278 formats an appropriate message and transmits the resulting signal via the transmitter 284 to the receiver 102. In this regard, the processor 278 may append to the command, a sequence, control or other identification information, a time stamp, channel indication or

other data necessary for the receiver 102 to discriminate that the particular remote control device 70 is a valid communications device, to authenticate operators, to log data for historical or other purposes, etc.

5           While the remote control device 70 is illustrated as a glove garment that is worn by the operator around the wrist or arm, other configurations may alternatively be implemented. For example, the transmitter, power supply and or any of one or more controls such as the button 258 may be worn separately or together on any part of the body where it is comfortable, practical or desirable, as the specific application dictates. For example, as  
10 shown, the garment 250 is worn by a corresponding operator. As such, each operator may have their own glove containing the button 258, circuit 256 and antenna(s) 262 built in. When the operator begins a shift, a communications device 264 may be retrieved from an appropriate recharging station or other staging area, and is docked into the corresponding docking area 254.

15

By separating the communications device 264 from the garment 250 and corresponding button 258, a single transmitter may be reused with multiple instances of the garment 250. As such, operators on different shifts can maintain their own garments 250 including finger or hand worn controls, e.g., the button 258, and merely plug in or dock a  
20 communications device into their garment 250 at the start of their shift. This further allows identification technologies such as Radio frequency Identification (RFID) tags to be incorporated with the garment 250, which information can be subsequently transmitted to the truck 10. As such, the truck 10 can log the operator, productivity and other relevant information during operation.

25

Referring to Figs. 8A and 8B, the button 258 of the remote may be easily reached and operated with the corresponding thumb of the operator, as schematically represented by the directional arrows. Such action requires a deliberate, yet easily achievable action on the part of the operator to actuate the button 258. Moreover, operational sequences may be required  
30 to actuate the button 258. For example, a double press in quick succession, i.e., a “double click” may be required to actuate a control. The remote control device 70 may be worn in such a way that neither hand of the truck operator is inconvenienced or otherwise interferes with an operator using both hands for picking items. Moreover, there is no inconvenience, such as requiring large limb movements, difficult to reach or otherwise inaccessible controls

to move or stop the truck 10, even when the hands of the operator are currently engaged in a pick operation. As such, the operator can move or stop the truck 10, even when carrying pick items such as boxes, etc. with both hands, using a single, simple gesture.

5           According to an aspect of the present invention, an area 288 around the button 258 may include a raised/contoured collar. To actuate and/or select the button 258, an operator must press down in the direction of the illustrated arrow within the collar and actuate the button 258. As yet another optional configuration, the button 258 could require a multi-  
10 258 may require being depressed, then slid in a lateral direction generally orthogonal to the direction of the button press.

          The garment 250 may be constructed from any number of materials such as stretchable fabrics, plastic, synthetics or other materials alone or in combination. Moreover,  
15 the various components of the remote control device 70 may be donned as an armband, as a belt or shirt clipped device or by other means. Moreover, the communications link connecting the control area to the transmitter on the garment may be implemented as a relatively thin wire that may optionally be tethered on a retractable take-up reel.

20           The button 258 may optionally be programmed to support multiple commands. For example, the remote control device 70 may be configured to transmit a “stop” command if a single actuation of the button 258 is detected. Moreover, a “travel” command may be transmitted if a double click or double actuation of the button 258 is detected within a predetermined time period. The button 258 may also be positioned underneath a spring-  
25 loaded, flip down member, which may be manually flipped down to expose the button 258.

          Alternatively, redundant travel controls may be provided on the communications device 264, which controls may be pressed independently or may be programmed to require concomitant actuation to move the truck 10. As such, the communications device 264 may  
30 be worn on the arm of the operator, e.g., just above the wrist or in any easily accessible location, such as on a belt, shirt or pants, in which case, the communications device 264 may be tethered with a suitable wire harness to the button 258. Still further, short range wireless technology such as Bluetooth may be utilized to enable a communications device 264 to

communicate with, and be donned by the operator away from the garment 250 and corresponding button 258.

The remote control device 70 may also be worn as a pendant around the neck of the operator, e.g., by looping the remote control device 70 through a suitable lanyard. Under such an arrangement, the button 258 may comprises a pair of switches implemented as textured rubber surfaces on opposite sides of the remote control device 70. As such, an operator must squeeze the remote control device 70 to operate the travel control. By having two switches, concomitant actuation of both switches may be required. This also allows the transmitter, power pack and controls to be integrated into a single housing thus minimizing the interference of the remote control device 70 with the operator, e.g., by eliminating wires and other structures that may be loose or inconvenient for the operator. To operate a stop or coast control, the operator may, for example, grasp the pendant and pull the remote control device 70 downward in the direction. The downward force causes the transmitter to transmit a stop or coast command, depending upon the particular programming. The wearable remote control device 70 is donned by slipping the lanyard around the neck of the operator.

According to another aspect of the present invention, the remote control device 70 may be donned by clipping the remote control device 70 to a shirt, belt, pants, vest, uniform or other piece of clothing using a suitable clip. This exemplary configuration provides another unibody arrangement wherein the transmitter and control area are combined into a common housing. Moreover, the clip allows the operator to clip the remote control device 70 to any convenient piece of clothing or other suitable location on or about the operator. The clip may also be coupled to a lanyard so as to be worn around the neck of the operator. A generally round configuration and smooth shape of the remote control device 70 may allow a relatively low profile design that wears “well” as the remote can be donned in a manner that places the remote control device 70 close to the body of the operator.

According to yet another exemplary aspect of the present invention, the remote control device 70 may implemented as a voice controlled transmitter. The remote control device 70 may mount, for example, to a torso strap, sash or other suitable device. The remote control device 70 further comprises a microphone. The microphone may be rotated or otherwise adjusted to provide flexible positioning of the microphone input for the operator. Although voice activation is provided, a redundant stop or coast button may also be provided. This



arrangement provides flexible placement of the remote control device 70 on the operator. Moreover, the remote may be operated in a hands free manner. The voice commands are preferably a simple command set.

5           When used with the voice control system of the remote control device 70, operator voice commands such as TRAVEL, FORWARD, COAST, STOP, etc., may be used to cause the truck 10 to move a preset distance and still maintain the heading set by the steer controller 112 (shown in Fig. 2), e.g., parallel to the storage locations 122 in the aisle 120. The command words TRAVEL, FORWARD, COAST, STOP, etc., may be used to  
10           communicate with the traction motor controller 106 while the steer controller 112 automatically corrects itself to maintain a straight orientation or other desired heading. The remote control device 70 may further allow the operator to make minor adjustments to the heading of the truck 10, e.g., by allowing voice commands such as LEFT or RIGHT to adjust the heading of the truck 10. Herein, translation of the voice commands into control  
15           commands for the truck 10 may be carried out either in the processor of the remote control device 70 or in the controller 103 of the truck 10.

          Yet another alternative configuration for the remote comprises a variation on the finger-thumb activated button 258. Instead of a single button, two buttons are provided. The  
20           first and second buttons each comprise a first switch component and further share a common second switch component. In particular, the garment includes a first band or finger, e.g., for receiving the index finger of the truck operator, and which supports the first switch component of the first button and the first switch component of the second button, e.g., as recesses. When the garment is donned, the first switch components are oriented towards the  
25           side of an operator's index finger. A first button contact is provided generally along the base of the recess of the first switch component. Similarly, a second button contact is provided generally along the base of the recess of the second switch component.

          Correspondingly, the garment includes a band that supports the common second  
30           switch component about the thumb of the operator. The second switch component includes a common contact generally at the tip of a protrusion that corresponds generally to the recesses of the first switch components of the first and second buttons. To actuate the first button, the common contact on the thumb of the operator is brought into intimate electrical connection with the first button contact, e.g., by directing the protrusion of the second switch component

into the recess of the first switch component. When electrical contact is made between the first button contact and common contact member, actuation of the corresponding control is achieved. Similarly, to actuate the second button the common contact on the thumb of the operator is brought into intimate electrical connection with the second button contact, e.g., by  
5 directing the protrusion of the second switch component into the recess of the first switch component. When electrical contact is made between the second button contact and common contact member, actuation of the corresponding control is achieved.

Any of the disclosed configurations for the remote control device 70 may be equipped  
10 with steering compensation controls. For example, the remote control device 70 may include additional controls within the control area, such as a left steer button and a right steer button in addition to the travel button and optional stop or coast button. The amount of remotely controllable steer correction will likely depend upon a number of factors such as environment of use, typical anticipated correction, etc. However, in one exemplary arrangement, small  
15 steer angle corrections, e.g., on the order of 1 degree or less may be implemented for each actuation of the left and right steer controls.

Further, the remote control system may be integrated with a steer angle control of the truck 10. The steer angle control is typically implemented using a potentiometer, encoder or  
20 other suitable input device, and may be positioned at any convenient location on the truck 10. When used in combination with additional steering controls, the steer angle control sets a desired heading of the truck 10. As an example, an operator may line up the truck 10 in an aisle parallel to a row of racks in a warehouse operation. Using angle sensing feedback from the steer controller 112 (shown in Fig. 2), the heading of the truck 10 may be maintained  
25 parallel to the racks as the truck 10 moves down the aisle. The steer angle control thus prevents drift of the truck 10 and maintains its course. Under this arrangement, a travel request from the remote control device 70 causes the truck 10 to travel substantially straight along a heading defined by the steer controller.

30 A system that implements the jog control functionality set out herein may implement additional advanced features to satisfy specific performance requirements. For example, the transmitters may be equipped with a “global stop” command that shuts down all trucks 10 within range of the transmitter that are operating under remote control. Thus, all receivers may be programmed or otherwise configured to recognize a stop command, e.g., using a

global or common command sequence. Moreover, the global stop command may be transmitted by appending an operator ID so that the identity of the operator who issues the global stop command can be identified.

5 In each of the illustrated exemplary systems, an antenna for the transmitter could be located in a transmitter box, woven into the garment, e.g., by integrating the antenna into Velcro, straps, bands, or other components associated with the transmitter, that is donned by the operator, located in wiring between the transmitter box and controls, etc.

10 Still further, the transmitter may be directional. For example, a target may be provided on the truck 10, e.g., as part of the receiver 102 or antenna 66. Thus, the operator must point the transmitter of the remote control 70 at or towards the target in order to cause the operation of the control, e.g., a jog command, to be received by the truck 10. Alternatively, certain commands may be non-directional, whereas other controls are  
15 directional. For example, the global stop (where provided) may not require detection by a target in order to be effectuated. On the other hand, a control to initiate a jog operation may be required to be detected by a suitable target. Targeted detection may be accomplished, for example, using infrared or other suitable technologies.

20 The numerous exemplary configurations of the remote control described herein are presented by way of illustration and not by way of limitation of the manner in which a remote control may be configured. The various described features may be commingled into any desired configuration. Moreover, additional features may be provided in addition to, or in lieu of the features set out herein.

25 Referring to Fig. 9, a method 300 of synchronizing a remote control to a truck is illustrated. The truck operator retrieves a communications device from a staging area at 302. The staging area may comprise a common storage location for unused communications devices, a battery recharging station, etc. The truck operator then connects, loads or  
30 otherwise associates the retrieved communications device with their corresponding remote control device garment at 304, e.g., by snapping the communications device into the docking area of their glove as set out in greater detail herein. If the operator has not already done so, the garment is also donned by the operator.

The truck operator then initiates a power on sequence to enable the truck for operation, i.e., the operator starts the truck at 306. In starting the truck, the operator may be required to provide a logon identification code to the truck. This identification may be provided for example, by entering a personal identification number (PIN) number into a control panel of the truck, by utilizing a key fob to provide the logon ID to the truck, or the operator's PIN may be encoded into a memory device, such as an RFID chip that is integrated into the remote control device garment worn by the operator. Under this arrangement, the communications device attached to the garment can sense the PIN number via the contacts and pads and transmit the operator's PIN number to the truck or a device on the truck, e.g., an RFID reader on the truck may sense the operator ID code, such as by bringing the garment into proximity of the truck.

The operator then enters a pairing mode with the truck at 308. It is likely that there may be several trucks and/or transmitters in the same vicinity using wireless remote control according to various aspects of the present invention. As such, a display on the truck may list or otherwise indicate the identification codes of all of the transmitters that it senses. The operator reviews the listed transmitter identification codes and selects the one that corresponds to the communications device docked in that operator's remote control device garment at 310. For example, the communications device may include a sticker, label tag or other indication that provides the transmitter identification code, e.g., by providing the transmitter identification code on the face of the communications device.

The system then synchronizes the transmitter of the remote control device worn by the operator to the receiver on the corresponding truck at 312. For example, the controller 103 on the truck may prompt the user to press a known key sequence on the remote control device 70, e.g., by concomitantly pressing the horn and emergency disengage buttons. Such an operation allows the system to perform any desired validation, e.g., to determine that the buttons coupled to the remote control device are in working order. Once synchronized, the system may provide a visual indication as such, e.g., by displaying a message on the truck that indicates that the synchronization is complete.

Depending upon the information required for a particular application of the various aspects of the present invention, three distinct operational identifications can be associated, including the unique operator identification, the unique identification of the communications

device and a unique identification of the truck. This information may be useful, for example, to validate commands received by the receiver on the truck, to log data for subsequent analysis, to log productivity, truck performance, etc.

5 Referring to Fig. 10, a method 320 is illustrated for a truck operator starting a shift using the remote control according to various aspects of the present invention. The truck operator obtains a communications device from a suitable storage area at 322. As with the previous example, the communications devices may be stored at a battery charging station, etc. The truck operator loads the communications device into the garment at 324. The  
10 communications device is then caused to begin transmitting a pairing mode confidence tone at 326. For example, the confidence tone may comprise repeatedly transmitting a message that includes the transmitter identification. In this regard, the transmitter identification code that is being transmitted may match a transmitter identification code that is written on the communications device or which is otherwise known to the truck operator.

15

The truck operator starts the truck at 328, which may comprise logging into the truck as set out in greater detail above. The truck operator may then enter a pairing mode at 330 to synchronize the truck's receiver to the particular transmitter retrieved by the truck operator. During the pairing operation, the receiver on the truck collects all confidence tones in its  
20 range at 332 and lists the tones, e.g., by transmitter identification code on a suitable display. In one illustrative example, the display may prioritize the located transmitter identification codes by signal strength or by any other suitable measure. The truck operator selects the transmitter identification code that matches the transmitter code associated with the communications device that was retrieved and loaded into their remote control device  
25 garment at 334. The transmitter identification code selected by the operator is stored in the truck, e.g., in a memory of the controller on the truck.

The controller on the truck may send a message to the communications device docked in the truck operator's remote control device garment at 336 that includes a unique truck  
30 receiver identification code and/or other information, which can be stored in the memory of the communications device donned by the operator. The transmitter and receiver then synchronize at 338, e.g., as described above. For example, the truck operator may be prompted to press a particular sequence of controls on the remote control device. In response to detecting the actuation of the requested control(s) and/or control sequence, the

communications device can send a message to the receiver on the truck that identifies the transmitter identification code, the receiver identification code and a code corresponding to the requested control(s) and/or control sequence that has been actuated to effect the synchronization of the receiver on the truck to the remote control device donned by the  
5 operator.

In this regard, the controller in the truck may associate the transmitter identification code with the operator identification code that was provided to the truck controller by the operator as a part of the log on operation required to start the truck. The controller may also  
10 associate the identification code associated with the truck/receiver. In this way, the truck/receiver identification code, the remote control identification code and the operator identification code are uniquely associated. The controller in the truck can use this three way association to discriminate received commands. Moreover, the remote control device also stores information about the truck that it is synchronized to and/or other optional information,  
15 e.g., an operator identification code, etc., which may be used in formatting and transmitting information.

Referring to Fig. 11, after performing work operations, the truck operator may need to temporarily leave the truck, e.g., to take a break. A method 350 is illustrated for shutting  
20 down, restarting and re-synchronizing the truck receiver and the transmitter of the communications device donned by the truck operator. The truck operator powers down the truck at 352, so as to take a lunch break, etc. After a predetermined time, the truck operator powers the truck back up at 354. During this time of the break, the transmitter in the remote control device donned by the operator may continue to transmit its synchronized confidence  
25 tone, which identifies the transmitter identification code and the corresponding truck/receiver identification code. The synchronized confidence tone transmitted by the transmitter in the communications device worn by the truck operator is detected at 356, as the association of the transmitter identification code to the receiver/truck identification code was preserved in memory on the truck.

30

The truck controller may further require that the truck operator acknowledge the system at 358, e.g., by entering their PIN code or by providing some other authentication measure to verify that the current operator is the same operator who was using the truck before the break. The pairing is confirmed and displayed at 360 if the operator identification

code entered as part of the acknowledgement operation authenticates to the operator identification code that was preserved in the memory of the truck as the operator who was using the truck before the break.

5 For example, the controller in the truck may maintain the above-described three way association of identification codes, i.e., the truck/receiver identification code, the remote control identification code and the operator identification code even when the truck is powered down. As such, if another operator comes along, that operator cannot use the remote wireless control with the truck, even if that new operator obtains possession of the previous  
10 operator's transmitter because the new operator does not have the previous operator's identification code. Similarly, if a new operator starts the truck and enters a new operator identification code as part of the truck startup process, then the wireless remote travel requests issued by the new operator will not be acknowledged by the controller on the truck because the three way identification is not preserved, that is, the new operator's transmitter will not be  
15 synchronized to the receiver on the truck.

Rather, for a new user to successfully use wireless remote control features of the truck, that new operator must log into the truck using their operator identification code and utilize a new pairing mode synchronization process to synchronize the new operator's  
20 transmitter to the receiver of the truck, such as using the methods described herein.

Referring to Fig. 12, a more detailed method 370 is illustrated for temporarily powering down the truck, restarting the truck and re-synchronizing the transmitter donned by the truck operator with the receiver in the truck. The truck operator powers off the truck at  
25 372, e.g., to take a break, etc. When the truck is powered down, a timer associated with the controller on the truck is started at 374. During the interval where the truck is powered down, the transmitter on the communications device donned by the truck operator continues to transmit its synchronized confidence tone at 376. For example, since the transmitter has been previously synchronized with the truck receiver, the confidence tone may comprise a message  
30 that includes both the transmitter identification code as well as the truck/receiver identification code. The truck is powered back on at 378. Once powered back on, the receiver on the truck begins to search for the corresponding confidence tone at 380 that matches the transmitter identification code it has previously stored in memory.

If the synchronized confidence tone is detected within a prescribed time limit at 282, then the pairing is maintained. If the confidence tone is detected outside the prescribed time limit, the truck operator may be required to resynchronize, e.g., using a startup procedure as set out in the examples described with reference to Figs. 9 and 10. If pairing is maintained,  
5 then the transmitter identification code may be detected at 384, e.g., by receiving a predetermined message from the transmitter of the remote control device, such as a resynchronization acknowledgement. The truck operator may also be required to acknowledge the truck system at 386, e.g., by providing an operator identification code at the truck, and the pairing confirmation is completed at 388, e.g., by displaying a confirmation to  
10 the truck operator.

Under this arrangement, if another user attempts to take the truck 10, that new user will have to clear and resynchronize the truck receiver to the new transmitter identification code of the remote control device donned by the new operator. However, if the new operator  
15 attempts to do so, the truck 10 may optionally refuse to respond to remote commands of the new operator, e.g., where the truck is further tied to the operator identification code. As such, a new operator may be required to initiate a complete truck power up sequence as well as a wireless remote control pairing sequence, in which case, the operator identification code of the new operator may be logged by the truck 10.

20

If the prescribed time period expires, then the pairing information stored in the memory of the truck may be cleared, e.g., by erasing an association between the receiver identification code and the transmitter identification code. Similarly, when the communications device is removed from the corresponding docking area of a garment and is  
25 returned to its storage location, e.g., a recharging station, the memory within the communications device corresponding to the pairing information can be erased. For example, when the communications device is removed from the garment and is loaded into a recharger or other docking device, the receiver identification code and/or other information that was previously stored in memory of the communication device based upon information received  
30 from the truck controller may be erased from the communications device. Moreover, such information may be downloaded into a corresponding business enterprise. This arrangement may be beneficial, for example, where the communications devices are shared among a community of users.



According to further aspects of the present invention, individual communications devices may be assigned to particular truck operators as an alternative to having a "pool" of available transmitters. For example, assume that the truck operator powers down the truck. In response to powering down, a timer starts running. At this time, pairing information is still  
5 stored in memory. After a prescribed time interval, the pairing information is cleared from the memory in the truck. Assume that the truck operator leaves the communications device docked to the garment for an extended amount of time. After a certain period of inactivity, the communications device may enter a sleep mode where another timer starts, e.g., for shut down mode. During this time, the pairing information is stored in memory and the  
10 communications device continues to transmit its confirmation tone. During power down mode, the pairing information is retained. However, the communications device ceases from transmitting the confirmation tone. After a third prescribed time delay expires, the receiver identification code is cleared from the memory of the communications device.

15 The terminology used herein is for the purpose of describing particular embodiments only and is not intended to be limiting of the invention. As used herein, the singular forms "a", "an" and "the" are intended to include the plural forms as well, unless the context clearly indicates otherwise. It will be further understood that the terms "comprises" and/or "comprising," when used in this specification, specify the presence of stated features,  
20 integers, steps, operations, elements, and/or components, but do not preclude the presence or addition of one or more other features, integers, steps, operations, elements, components, and/or groups thereof.

The description of the present invention has been presented for purposes of illustration  
25 and description, but is not intended to be exhaustive or limiting to the invention in the form disclosed. Many modifications and variations will be apparent to those of ordinary skill in the art without departing from the scope and spirit of the invention. The embodiments were chosen and described in order to best explain the principles of the invention and the practical application, and to enable others of ordinary skill in the art to understand the invention for  
30 various embodiments with various modifications as are suited to the particular use contemplated.

Having thus described the invention of the present application in detail and by reference to preferred embodiments thereof, it will be apparent that modifications and

variations are possible without departing from the scope of the invention defined in the appended claims.

What is claimed is:

## CLAIMS

1. A supplemental remote control system for a materials handling vehicle comprising:  
a wearable wireless remote control device that is donned by an operator interacting  
with said materials handling vehicle, said wearable wireless remote control device  
5 comprising:  
a wireless transmitter; and  
a travel control communicably coupled to said wireless transmitter,  
wherein actuation of said travel control causes said wireless transmitter to  
wirelessly transmit a travel request as a first type signal requesting said vehicle  
10 to advance in a first direction;  
a receiver for receiving transmissions from said wireless transmitter at said vehicle;  
and  
a controller that is communicably coupled to said receiver and to a traction control  
system of said vehicle, said controller being responsive to receipt of said first type signal by  
15 said receiver to evaluate at least one vehicle condition, to decide whether to implement said  
travel request based upon the evaluation of said at least one vehicle condition and to cause  
said traction control system to advance said vehicle if said controller decides to implement  
said travel request based upon the evaluation of said at least one vehicle condition.
- 20 2. The supplemental remote control system according to claim 1, wherein said wearable  
wireless remote control device further comprises:  
a glove garment having a button on a finger thereof and a circuit that connects said  
button to a docking area on said garment; wherein:  
actuation of said button implements said travel control; and  
25 said wireless transmitter is provided on a detachably mountable communications  
device that temporarily docks to said docking area of said garment to couple said wireless  
transmitter to said button.
- 30 3. The supplemental remote control system according to claim 2, wherein an antenna is  
provided integral with said glove garment so as to connect to said wireless transmitter when  
said detachably mountable communications device is temporarily docked to said docking area  
of said glove garment.

4. The supplemental remote control system according to claim 1, wherein:

said controller communicates with said traction system of said vehicle to determine whether said vehicle is moving, movement of said vehicle corresponding to said at least one condition; and

5 said controller is configured to decide to not implement said travel request if said at least one condition indicates that said vehicle is moving.

5. The supplemental remote control system according to claim 1, further comprising:

10 at least one sensor communicably coupled to said controller, each said at least one sensor configured to detect the presence of an object located at a position either on a platform of said vehicle from which said vehicle may be operated or proximate to said vehicle: wherein:

15 said at least one vehicle condition evaluated by said controller comprises a status of each sensor and said controller is configured to decide to not implement said travel request if said status from at least one sensor is indicative of the presence of an object.

6. The supplemental remote control system according to claim 1, wherein:

20 said controller communicates with a steer control system of said vehicle to determine whether said vehicle has a steer angle within predetermined limits, said steer angle of said vehicle corresponding to said at least one condition; and

said controller is configured to either not implement said travel request or to first communicate with said steer control system to correct said steer angle to within said predetermined limits if said at least one condition indicates that said steer angle exceeds said predetermined limits.

25

7. The supplemental remote control system according to claim 1, wherein said controller communicates with said traction control system to cause said vehicle to coast to a stop upon detecting a predetermined stopping event associated with movement of said vehicle under wireless remote control in response to receipt of said first type signal.

30

8. The supplemental remote control system according to claim 7, wherein said predetermined stopping event comprises said vehicle exceeding at least one of a predetermined maximum distance continuously traveled without stopping or a predetermined maximum time

continuously traveled without stopping under wireless remote control in response to receipt of said first type signal.

5 9. The supplemental remote control system according to claim 1, wherein said controller communicates with a brake control system associated with said vehicle to apply a brake to stop said vehicle upon detecting a predetermined event associated with movement of said vehicle under wireless remote control in response to receipt of said first type signal by said receiver.

10 10. The supplemental remote control system according to claim 9, wherein said predetermined stopping event comprises said vehicle exceeding at least one of a predetermined maximum distance continuously traveled without stopping or a predetermined maximum time continuously traveled without stopping under wireless remote control in response to receipt of said first type signal.

15

11. The supplemental remote control system according to claim 1, further comprising:  
further comprising:

at least one sensor communicably coupled to said controller, each said at least one sensor configured to detect the presence of an object located proximate to said vehicle:

20

wherein said controller communicates with a brake control system associated with said vehicle to brake said vehicle to a stop if said vehicle is moving under wireless remote control in response to receipt of said first type signal and at least one sensor indicates the detection of an object in the travel path of said vehicle.

25

12. The supplemental remote control system according to claim 1, wherein said wearable wireless remote control device further comprises a disable control, wherein actuation of said disable control causes said wireless transmitter to transmit a second type signal requesting said vehicle to stop; wherein

30

said controller causes said vehicle to stop responsive to receipt of said second type signal and to disable power to said vehicle if said vehicle is moving under wireless remote control in response to receipt of said first type signal.

13. The supplemental remote control system according to claim 1, wherein said controller is configured to disregard commands from said wearable wireless remote control device if said

wearable wireless remote control device exceeds a predetermined range greater than 25 feet (7.62 meters).

14. The supplemental remote control system according to claim 1, further comprising  
5 requiring an operator identification code entered into said controller prior to said vehicle responding to said first type signal.

15. A method of operating a supplemental remote control system for a materials handling vehicle comprising:

10 providing a wearable wireless remote control device that is donned by an operator interacting with said materials handling vehicle, said wearable wireless remote control device having a wireless transmitter and a travel control communicably coupled to said wireless transmitter, wherein actuation of said travel control causes said wireless transmitter to wirelessly transmit a travel request as a first type signal requesting said vehicle to advance in  
15 a first direction;

providing a receiver for receiving transmissions from said wireless transmitter at said vehicle; and

providing a controller that is communicably coupled to said receiver and to a traction control system of said vehicle, said controller being responsive to receipt of said first type  
20 signal by said receiver to evaluate at least one vehicle condition, to decide whether to implement said travel request based upon the evaluation of said at least one vehicle condition and to cause said traction control system to advance said vehicle if said controller decides to implement said travel request based upon the evaluation of said at least one vehicle condition.

25 16. The method according to claim 15, further comprising configuring said vehicle for traveling power unit first in response to said travel command if said controller decides to implement said travel command.

17. The method according to claim 15, further comprising limiting the speed of travel of said  
30 vehicle to a predetermined maximum speed if said vehicle is moving under wireless remote control in response to receipt of said first type signal.

18. The method according to claim 15, wherein said controller is configured to cause said traction control system to advance said vehicle for as long as maintained actuation of said

travel control on said wearable wireless remote control device is detected, unless said vehicle exceeds predetermined maximum distance or time traveled in response to said first type signal, despite a continued detection of continued actuation of said travel control.

5 19. The method according to claim 15, wherein said providing a wearable remote control device further comprises:

providing a glove garment having a button on a finger thereof and a circuit that connects said button to a docking area on said garment; wherein actuation of said button implements said travel control; and

10 providing said wireless transmitter on a detachably mountable communications device that temporarily docks to said docking area of said garment to couple said wireless transmitter to said button.

20. A method of synchronizing a transmitter and a receiver in a supplemental remote control  
15 system for materials handling vehicles comprising:

initiating a power on sequence to enable a materials handling vehicle for operation, said materials handling vehicle having a receiver for receiving wirelessly transmitted travel commands;

20 entering a pairing mode to synchronize said receiver and a corresponding controller on said vehicle to a select one of a plurality of wireless remote control devices, wherein said select one of said wireless remote control devices is associated with an operator of said materials handling vehicle;

25 receiving pairing mode confidence signals at said receiver of said vehicle, wherein each pairing mode confidence signal provides a transmitter identification that uniquely identifies a corresponding one of said plurality of wireless remote control devices within range of said receiver;

30 matching a known transmitter identification code associated with said select one of said plurality of wireless remote control devices associated with said operator of said materials handling vehicle with a corresponding one of the pairing mode confidence signals received by said receiver; and

synchronizing said select one of said plurality of wireless remote control devices associated with said operator to said receiver and said controller of said vehicle such that said materials handling vehicle acknowledges remote travel commands from said select one of said plurality of wireless remote control devices.

21. The method according to claim 20, wherein said initiating a power on sequence to enable a materials handling vehicle for operation comprises:

5 requiring said operator to provide an operator identification code to said controller of said vehicle.

22. The method according to claim 20, wherein said receiving pairing mode confidence signals at said receiver of said vehicle, wherein each pairing mode confidence signal provides a transmitter identification that uniquely identifies a corresponding one of said plurality of  
10 wireless remote control devices within range of said receiver comprises displaying a list of all detected transmitter identification codes ordered by signal strength.

23. The method according to claim 22, further comprising providing said known transmitter identification code on a tag on said select one of said plurality of wireless remote control  
15 devices; wherein:

said matching a known transmitter identification code associated with said select one of said plurality of wireless remote control devices associated with said operator of said materials handling vehicle with a corresponding one of the pairing mode confidence signals received by said receiver comprises locating in said displayed list of detected transmitter  
20 identification codes, indicia that is associated with said known transmitter identification code on said tag.

24. The method according to claim 20, wherein said synchronizing said remote control device to said receiver comprises storing in said controller on said vehicle, said transmission  
25 identification code of the matched remote control device.

25. The method according to claim 20, wherein synchronizing said remote control device to said receiver comprises transmitting a first message to said select one of said plurality of wireless remote control devices associated with said operator that includes a receiver  
30 identification code that uniquely identifies said vehicle, wherein subsequent messages wirelessly transmitted from said remote control device to said receiver identify both said transmitter identification code and said receiver identification code.



26. The method according to claim 25, wherein receiver is required to receive a predetermined reply message in response to said first message from said remote control device to complete pairing synchronization.

5 27. The method according to claim 20, further comprising:

powering off said vehicle after successfully synchronizing said remote control device to said receiver for a period of time;

starting a timer on said vehicle while said vehicle is powered down;

continuing to transmit a synchronized confidence signal by said select one of said

10 plurality of wireless remote control devices associated with said operator;

powering on said vehicle;

determining if said vehicle is powered back on within a predetermined interval based upon a measure recorded by said timer;

if within said predetermined interval, performing:

15 searching for said synchronized confidence signal; and

reconfirming pairing synchronization with said select one of said plurality of wireless remote control devices associated with said operator.

28. The method according to claim 27, further comprising:

20 requiring said operator to provide an operator identification; and

comparing said operator identification with a stored operator identification recorded before powering down; wherein:

said reconfirming pairing synchronization with said select one of said plurality of wireless remote control devices associated with said operator further comprises reconfirming

25 said pairing synchronization if said operator identification matches said stored operator identification.

29. The method according to claim 27, further comprising:

30 clearing said receiver identification code stored in said remote control device when said remote control device is installed in a corresponding charging station; and

clearing said transmitter identification code stored in said controller on said vehicle after a predetermined time interval lapses after powering down said vehicle.

30. The method according to claim 27, further comprising:

entering a sleep mode by said remote control device after a first predetermined period of inactivity, wherein said remote control device continues to transmit said synchronized confidence signal;

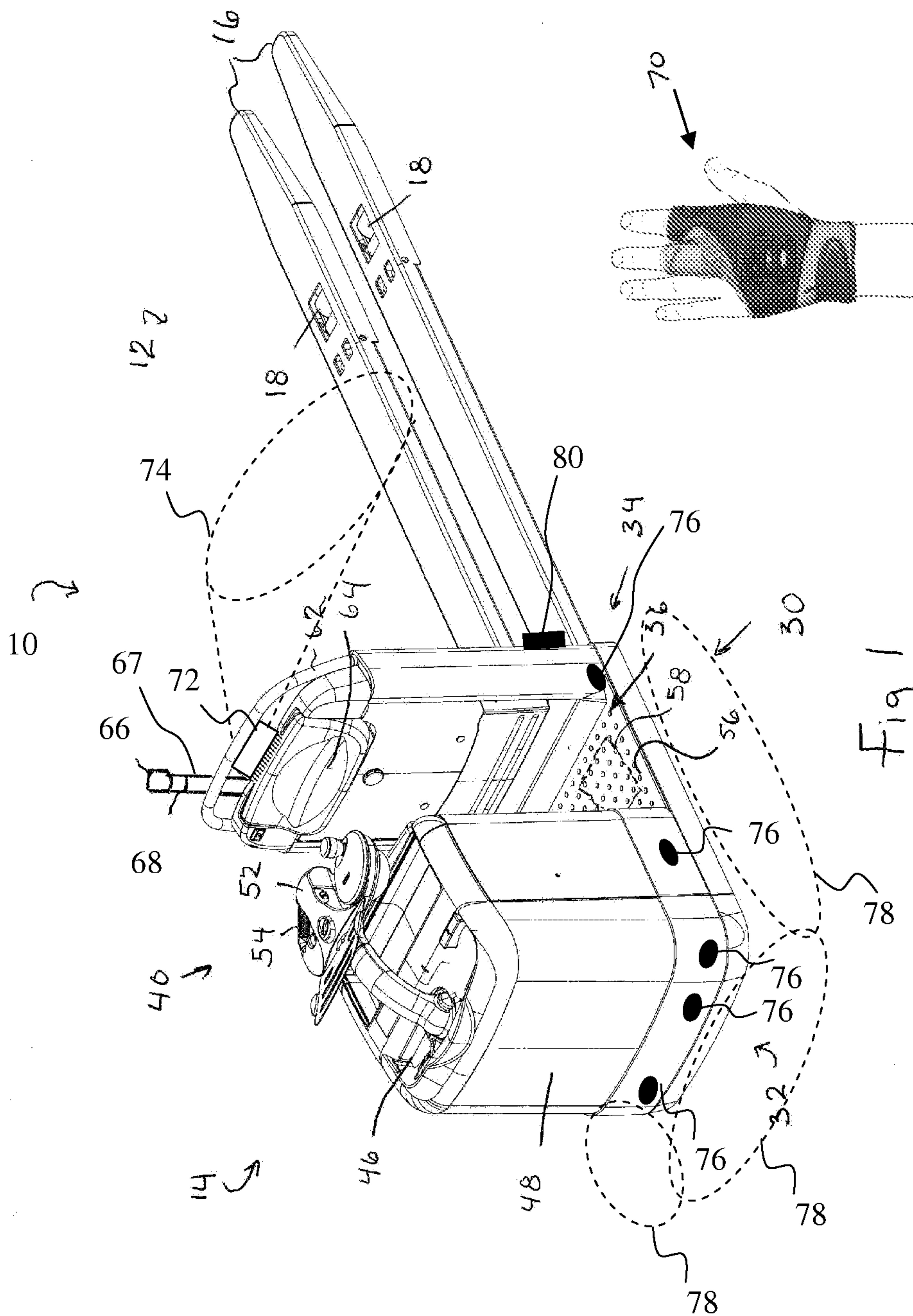
5 entering a power down mode of said remote control device after a second predetermined period in said sleep mode;

clearing said receiver identification code stored in said remote control device after a predetermined period of inactivity in said power down mode; and

clearing said transmitter identification code stored in said controller on said vehicle after a predetermined time interval lapses after powering down said vehicle.

10

1/12



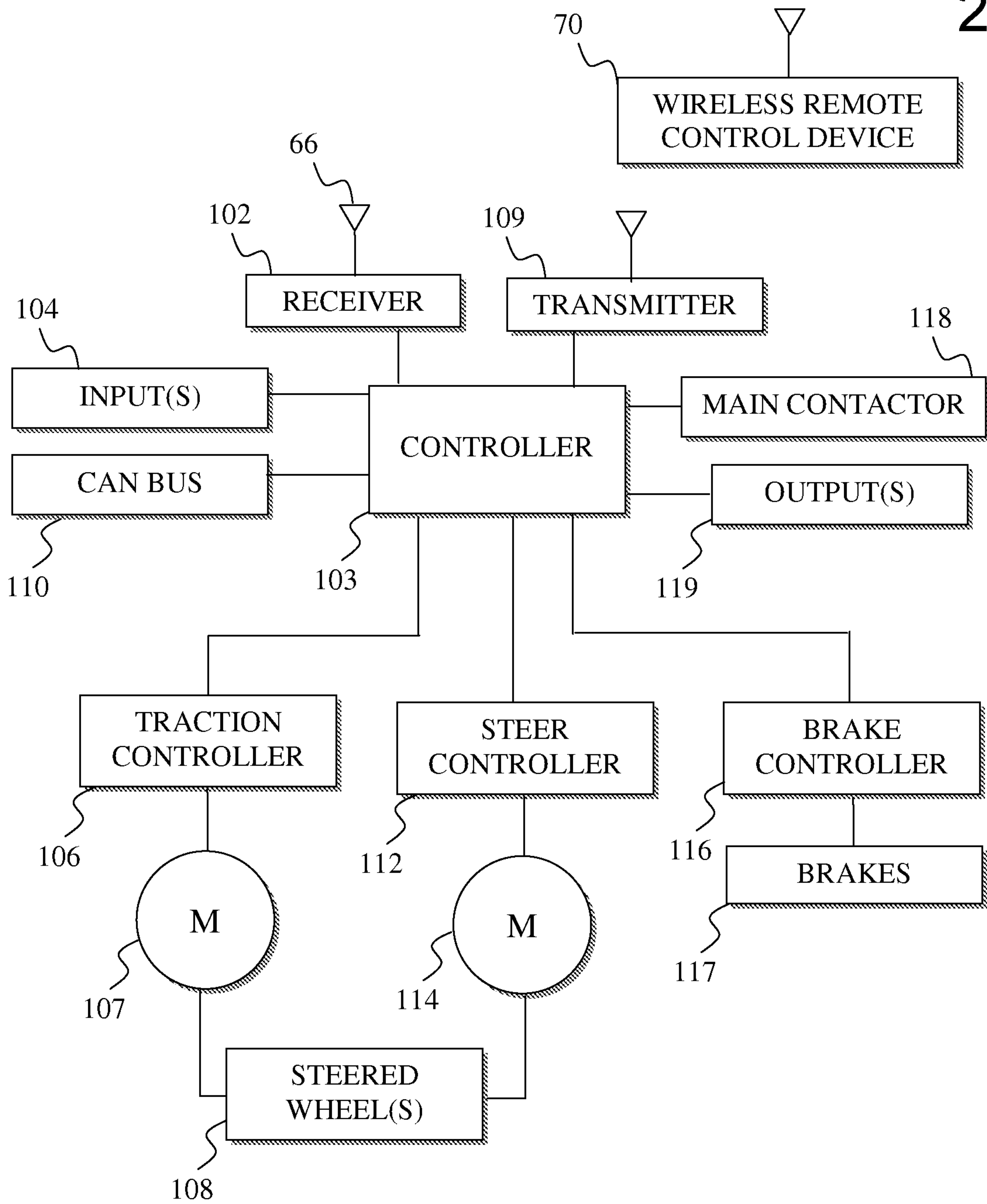


Fig. 2

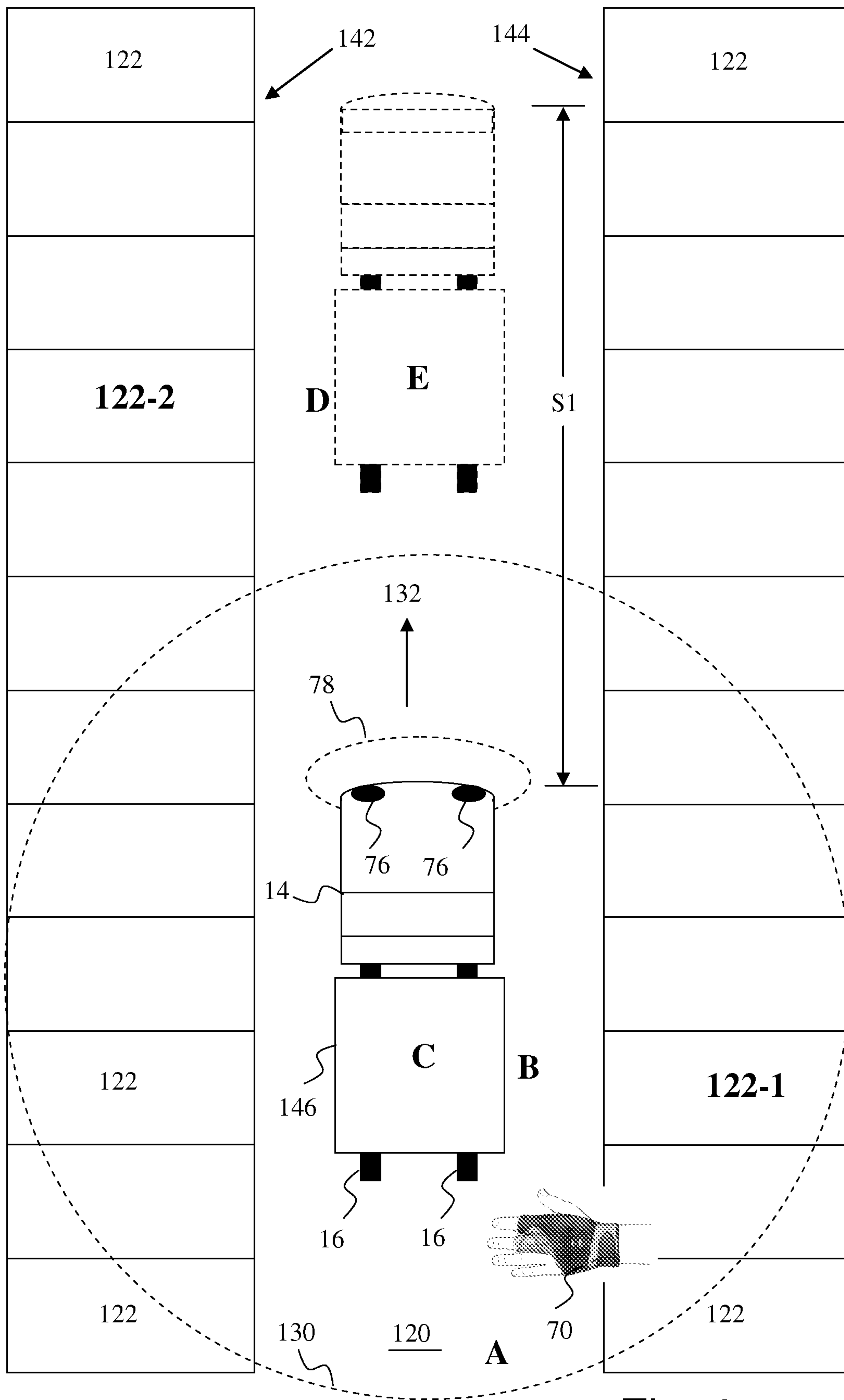


Fig. 3

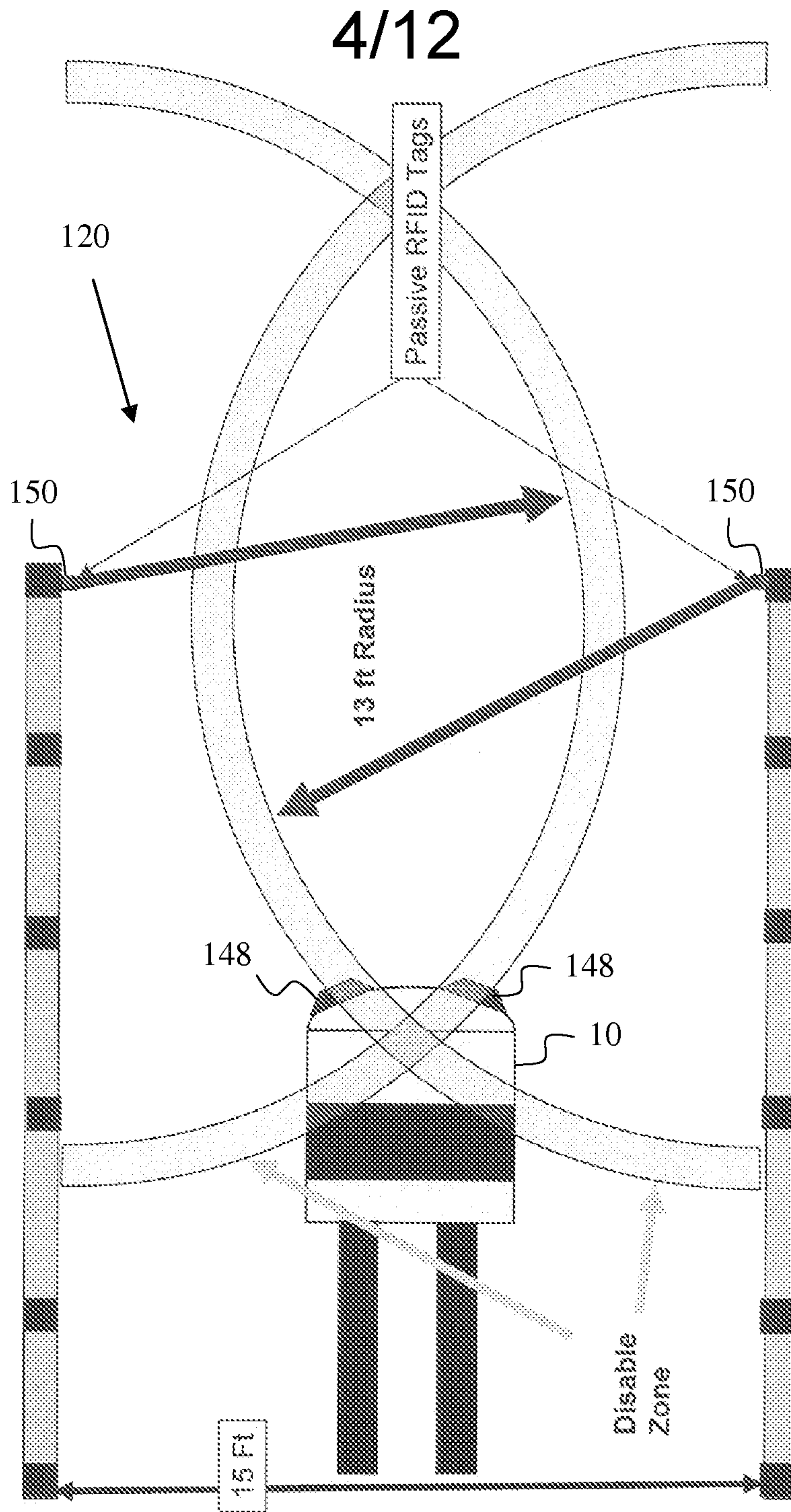


Fig. 4

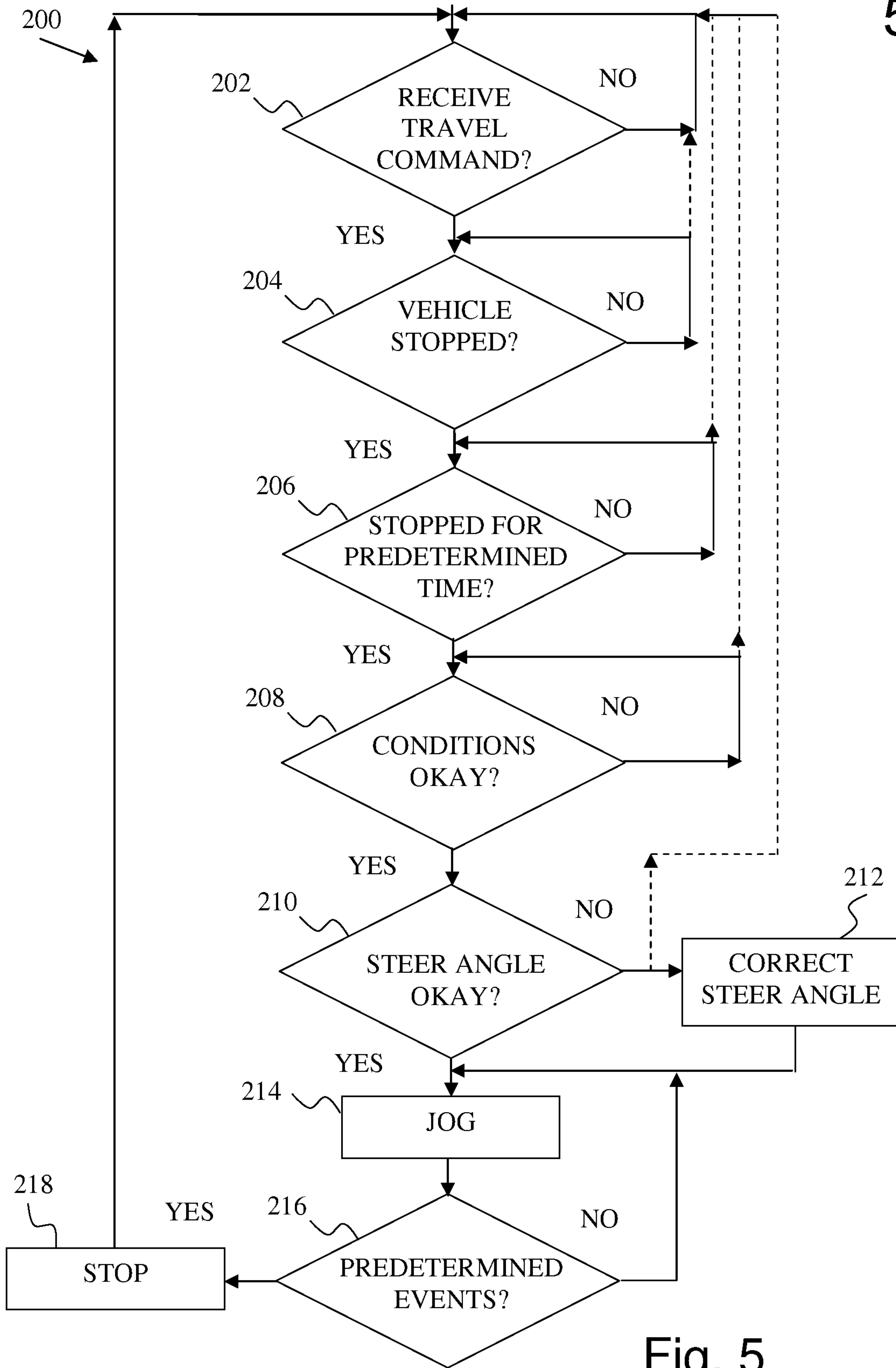


Fig. 5

6/12

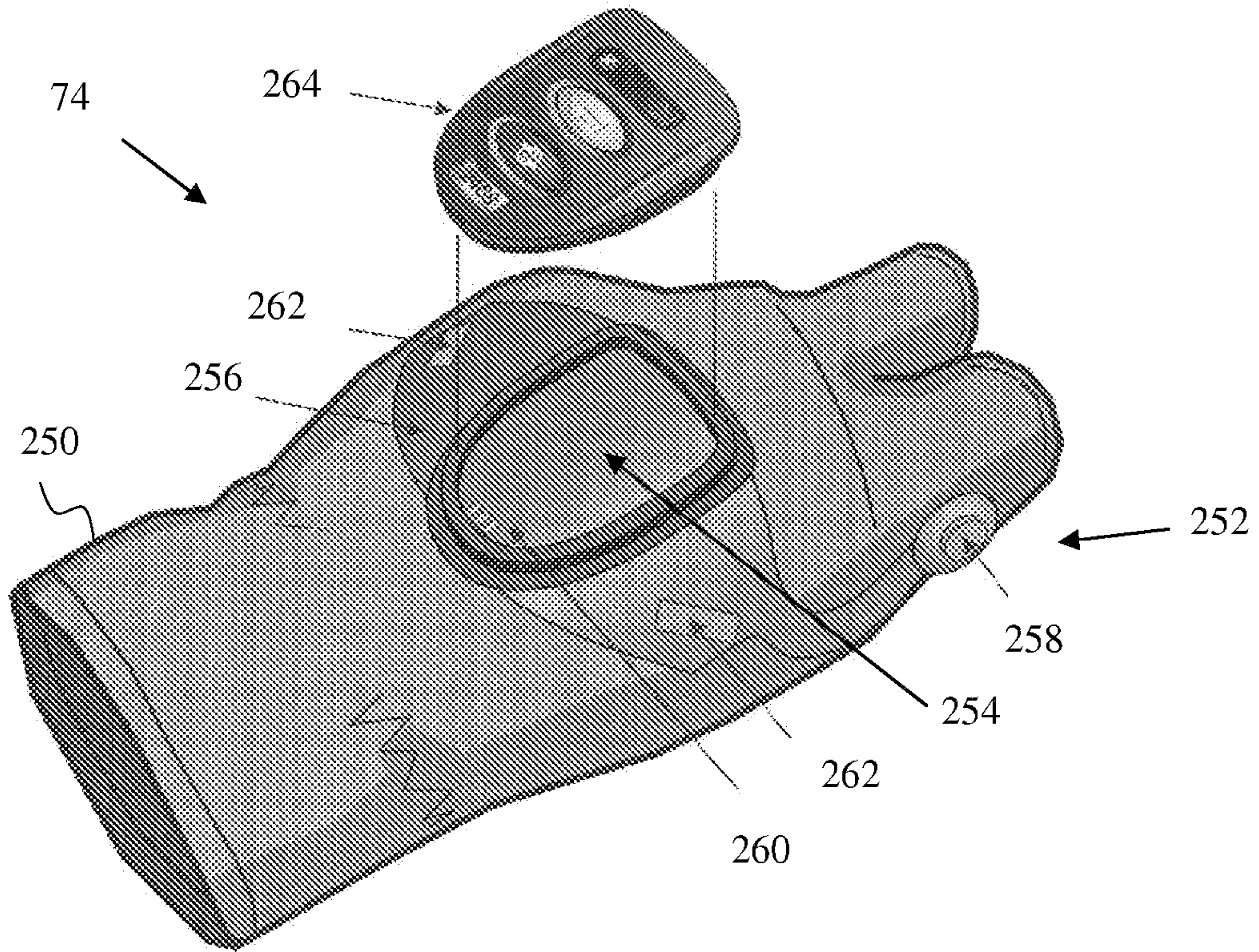


Fig. 6



# 7/12

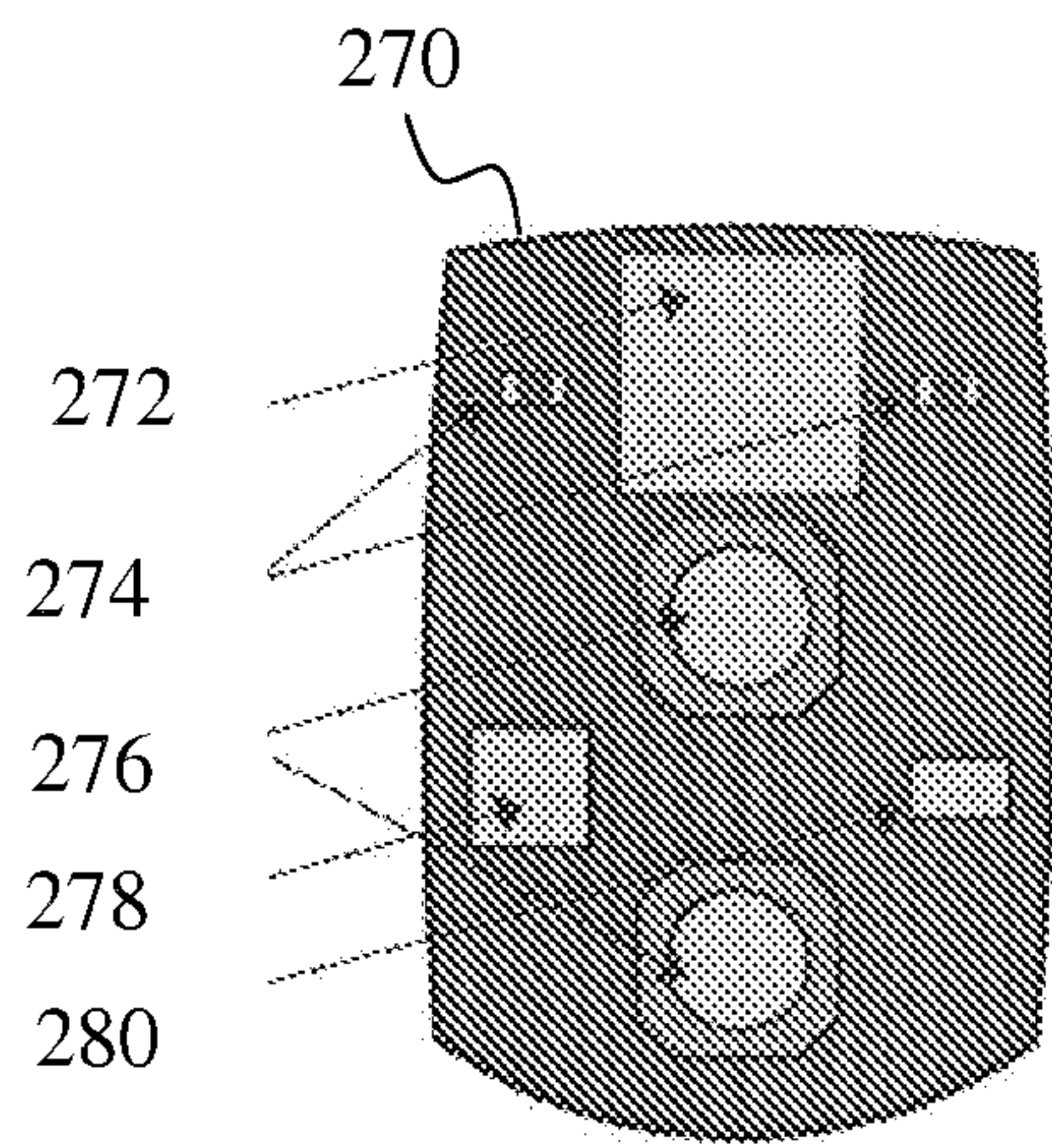


Fig. 7A

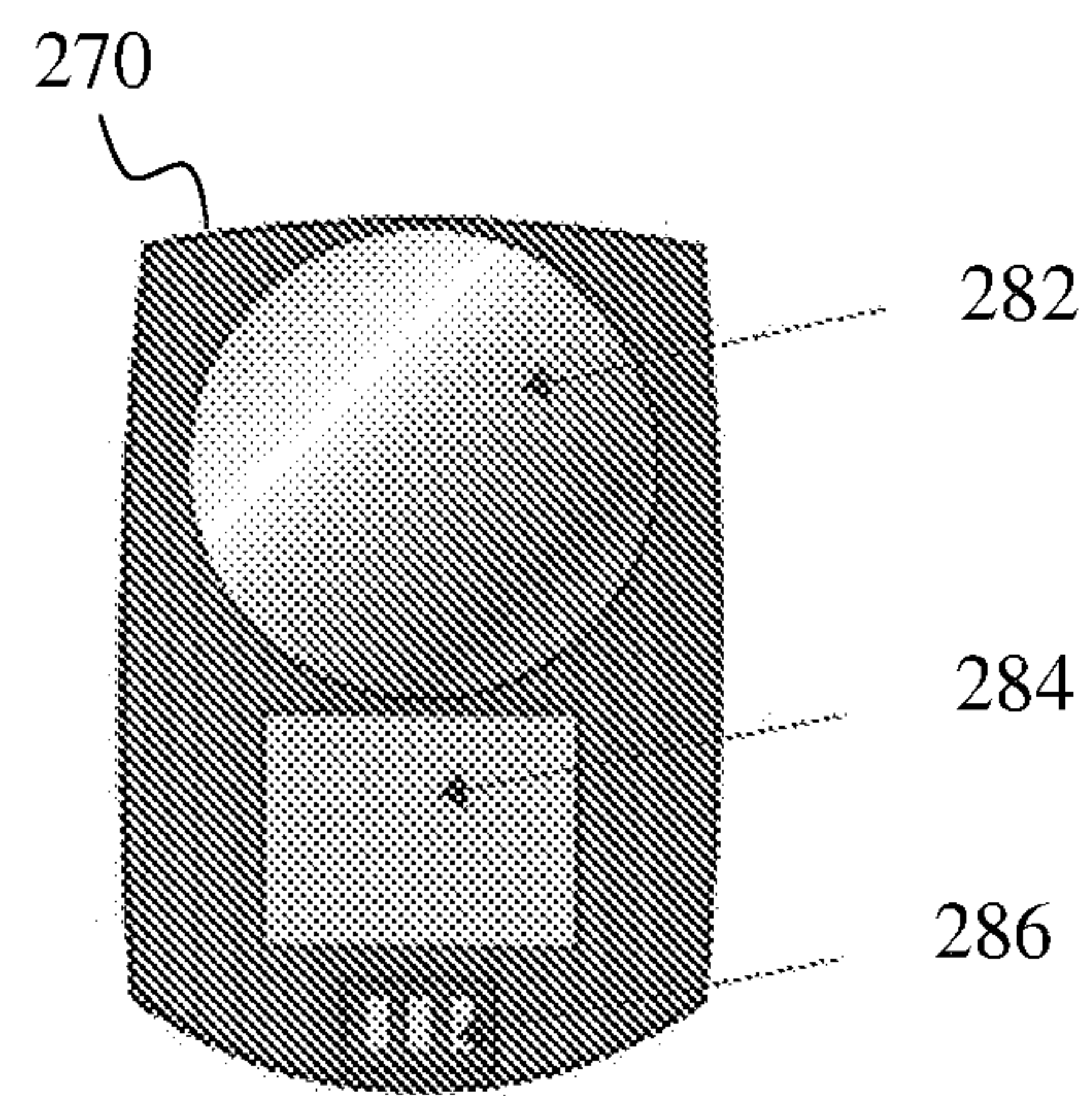


Fig. 7B

8/12

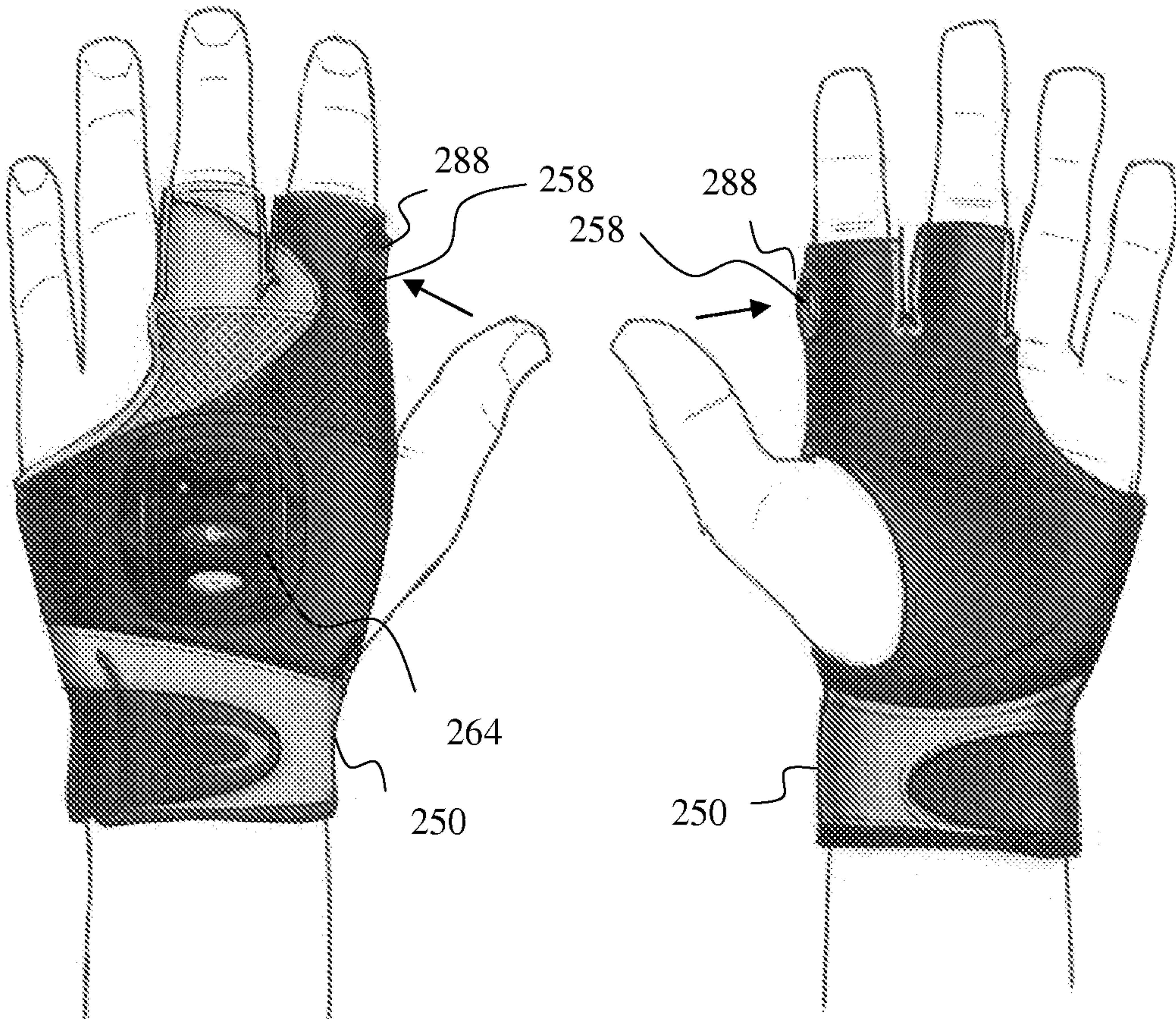


Fig. 8A

Fig. 8B

9/12

300

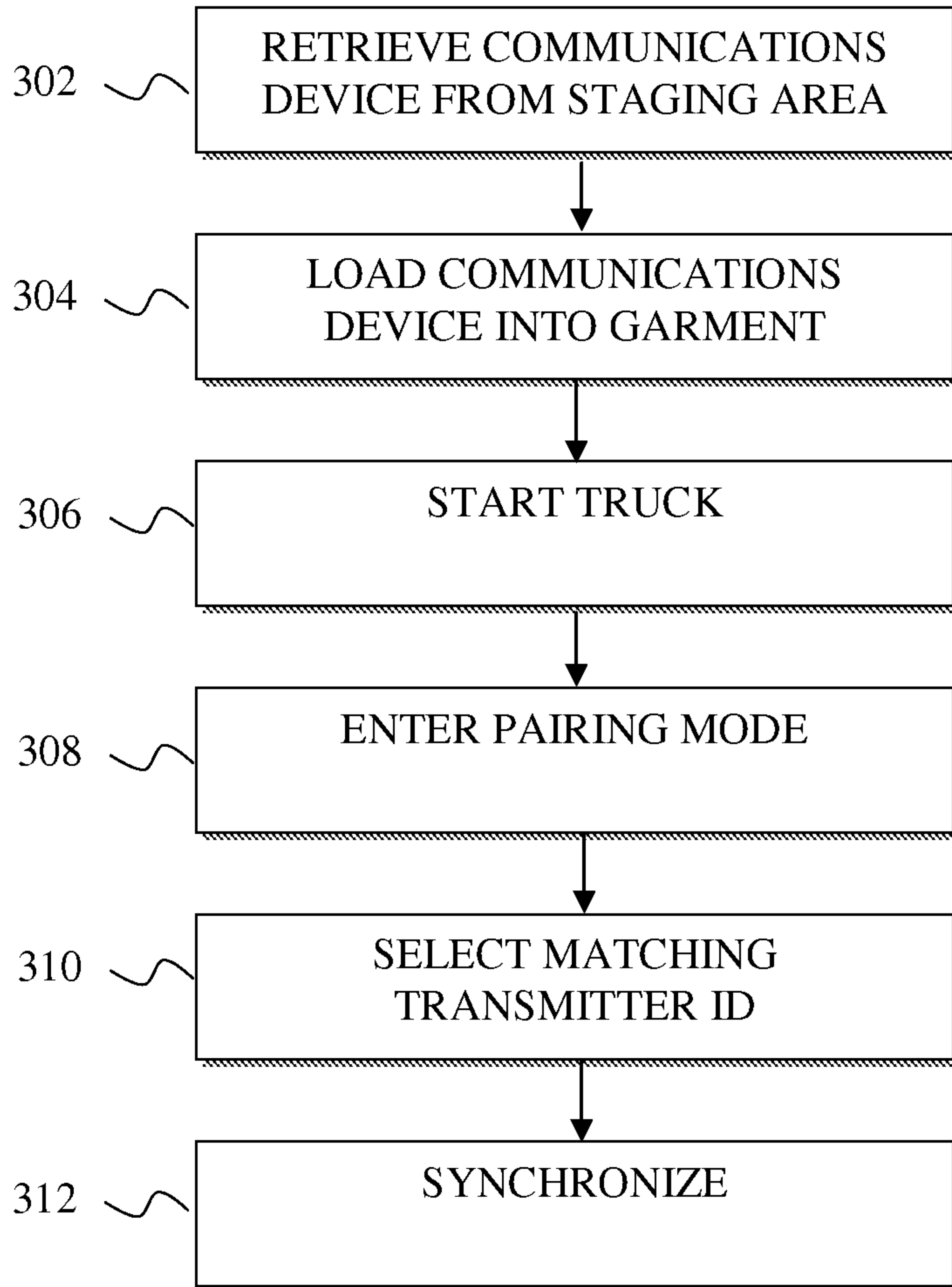


Fig. 9

10/12

320

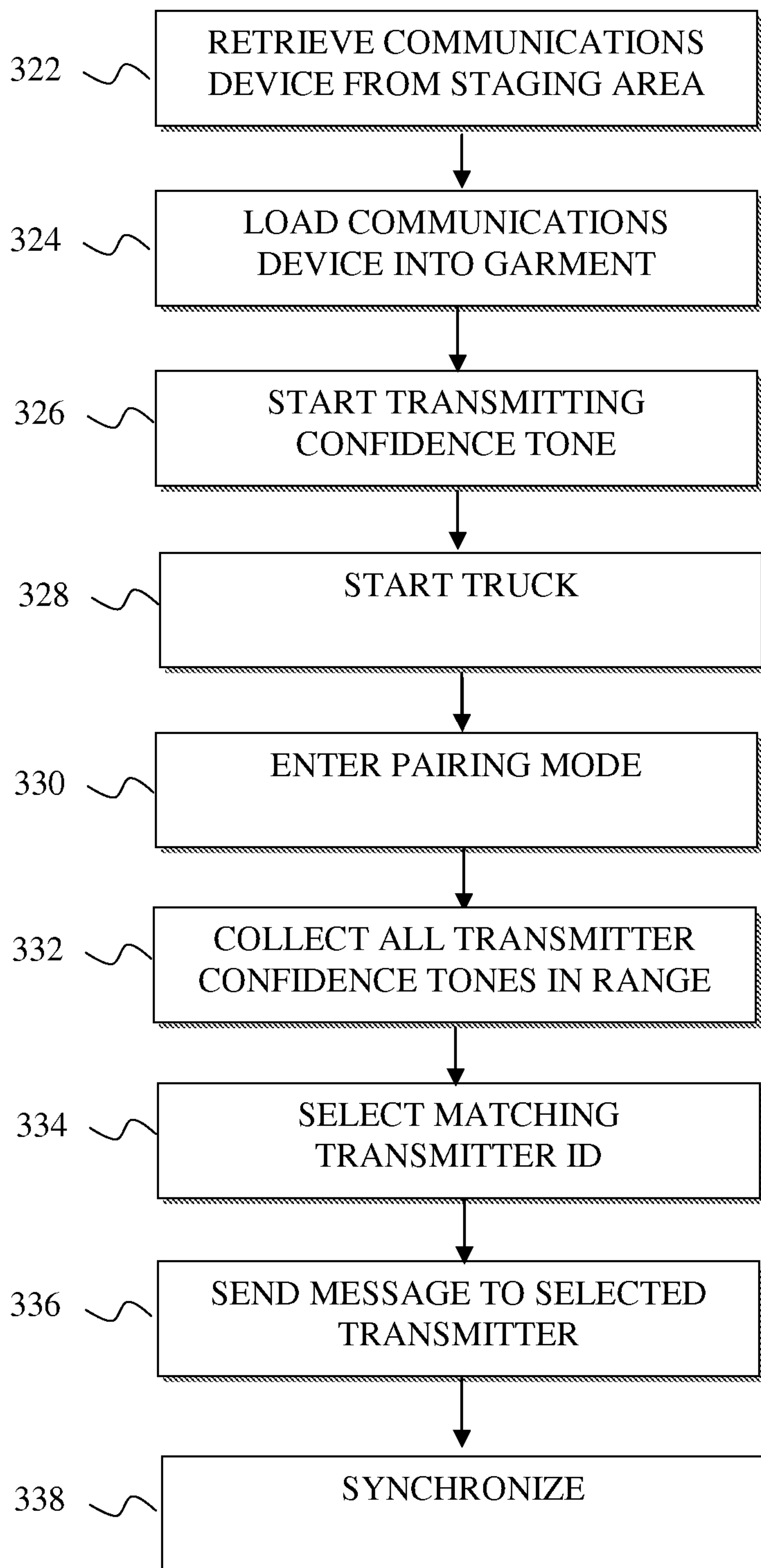


Fig. 10

11/12

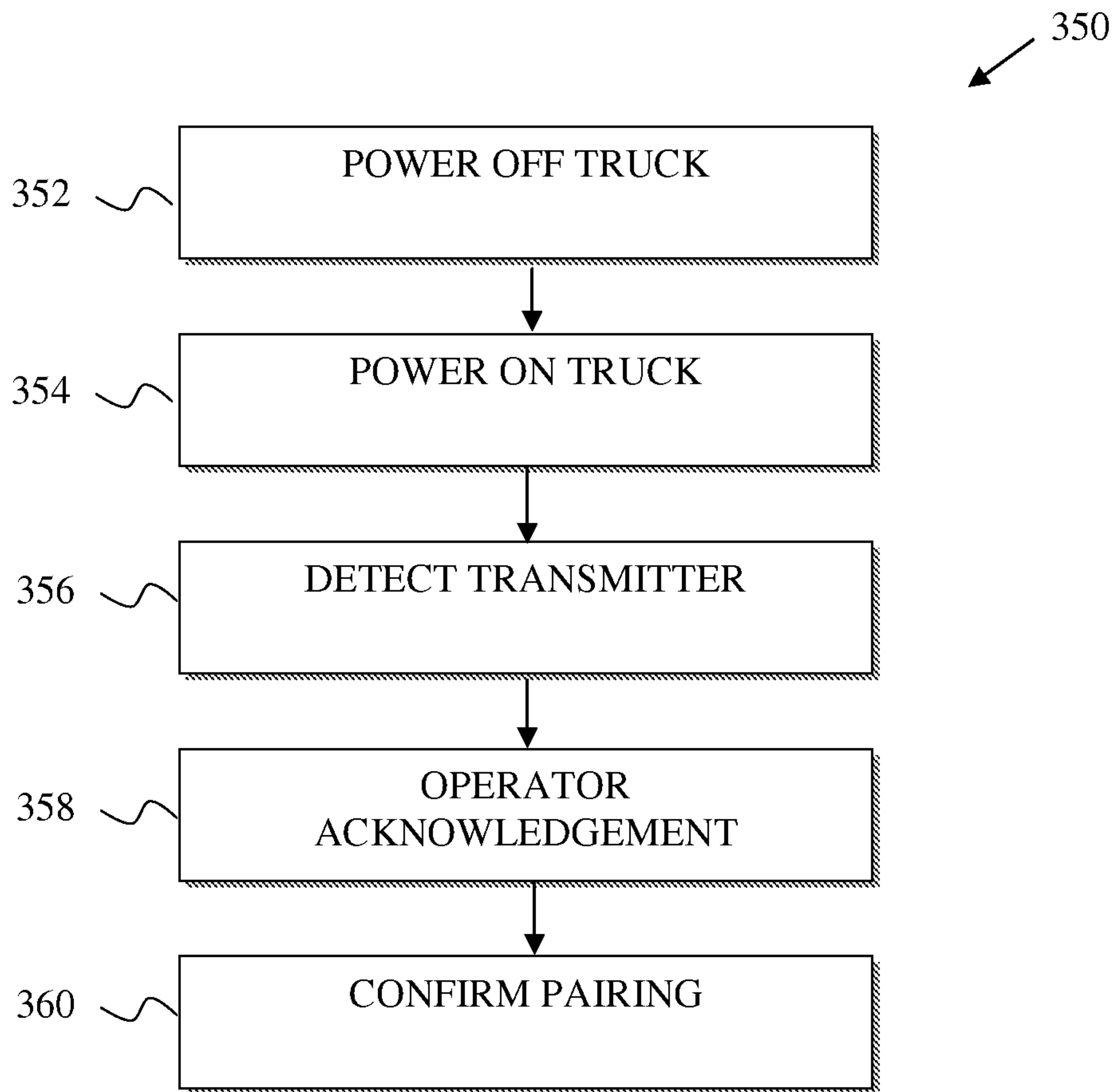


Fig. 11

12/12

370

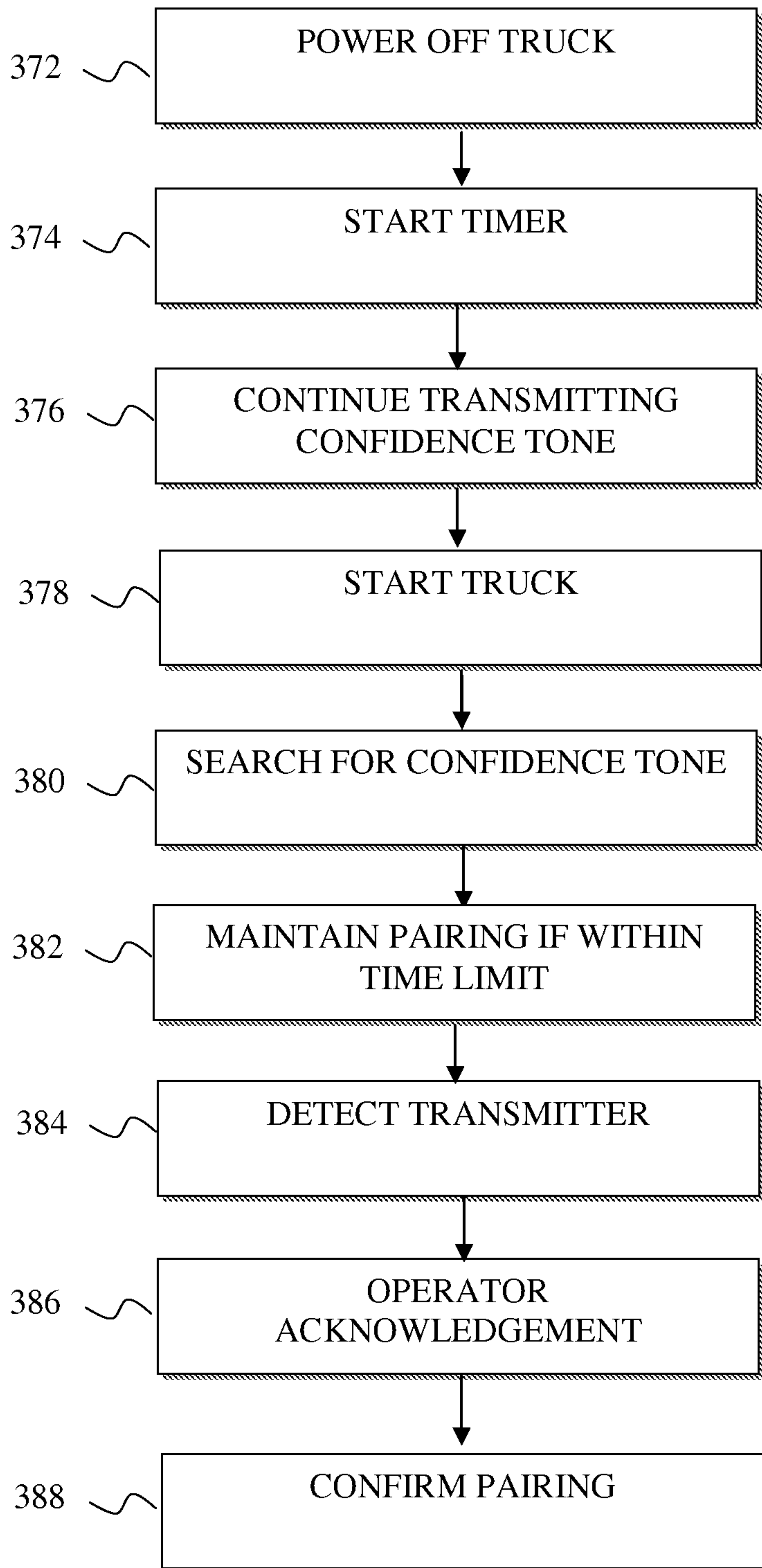


Fig. 12

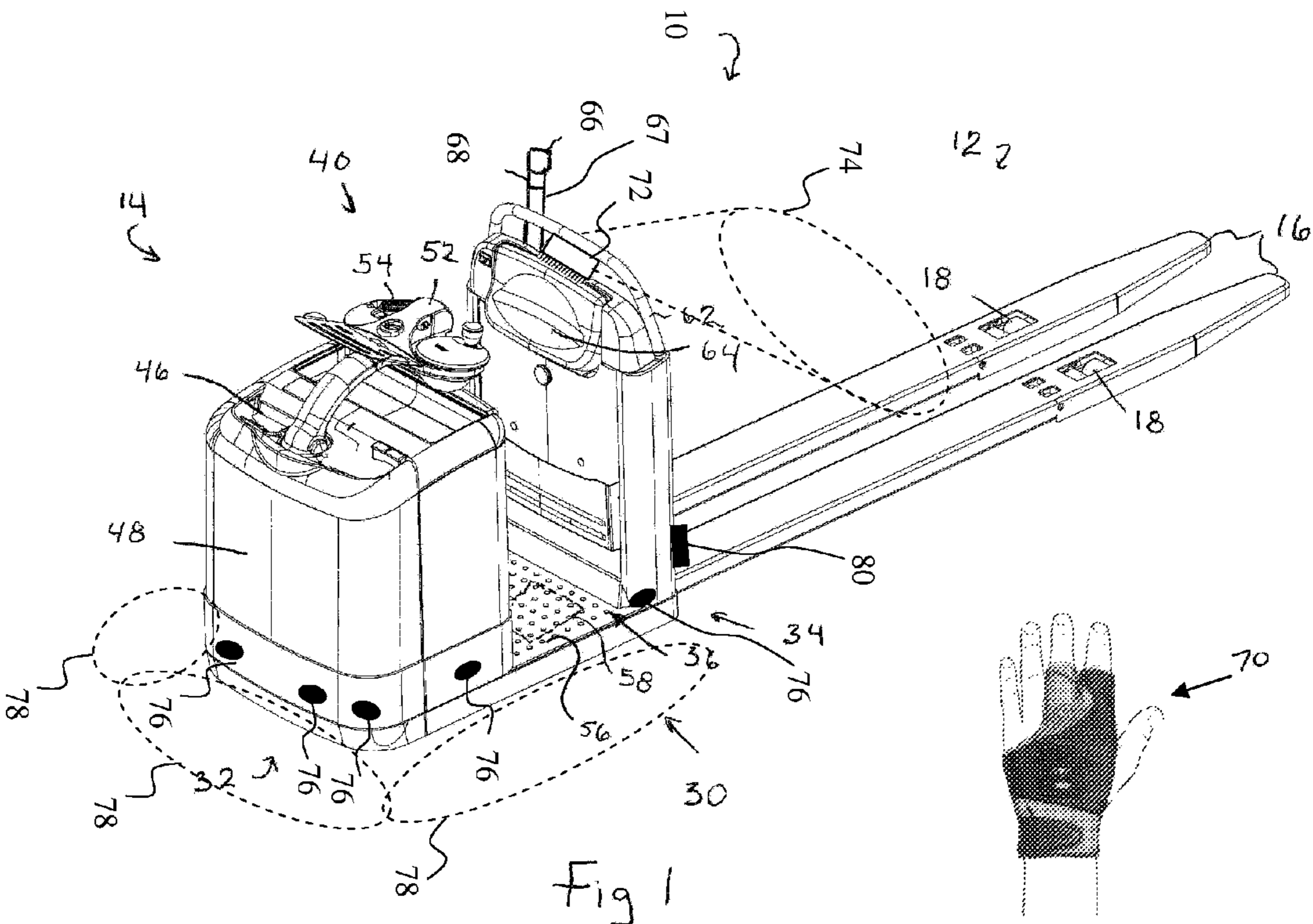


Fig 1