



US00D499210S

(12) **United States Design Patent** (10) **Patent No.:** **US D499,210 S**
Shepperson et al. (45) **Date of Patent:** **** *Nov. 30, 2004**

(54) **COMBINATION RAZOR HANDLE AND BLADE**

(75) Inventors: **Ian Raymond Shepperson**, Ripley (GB); **Frank Prochaska**, Waynesboro, VA (US); **Jeffrey W. Wonderley**, Fort Defiance, VA (US)

(73) Assignee: **American Safety Razor**, Verona, VA (US)

(*) Notice: This patent is subject to a terminal disclaimer.

(**) Term: **14 Years**

(21) Appl. No.: **29/147,366**

(22) Filed: **Aug. 29, 2001**

(51) **LOC (7) Cl.** **28-03**

(52) **U.S. Cl.** **D28/46**

(58) **Field of Search** D28/44-48; 30/32, 30/47-51, 526, 527, 530-533

(56) **References Cited**

U.S. PATENT DOCUMENTS

D208,619 S	*	9/1967	Baker et al.	D28/46
D235,696 S	*	7/1975	Krupski	D28/48
D259,743 S	*	6/1981	Hollinger	D28/46
D355,049 S	*	1/1995	Yasui	D28/48
D407,851 S	*	4/1999	Shurtleff	D29/48
D415,317 S	*	10/1999	Aiston	D28/48
D421,155 S	*	2/2000	Grange	D28/48
D428,203 S	*	7/2000	Zwonitzer et al.	D28/48
D428,532 S	*	7/2000	Prochaska	D28/47
D445,958 S	*	7/2001	Dansreau et al.	D28/48
D458,410 S	*	6/2002	Shepperson	D28/48

* cited by examiner

Primary Examiner—Prabhakar Deshmukh

Assistant Examiner—C Tuttle

(74) *Attorney, Agent, or Firm*—McDermott Will & Emery LLP

(57) **CLAIM**

The ornamental design for a combination razor handle and blade, as shown and described.

DESCRIPTION

FIG. 1 is a front perspective view of a first embodiment of the combination razor handle and blade showing the new design;

FIG. 2 is a side view of the first embodiment of the combination razor handle and blade;

FIG. 3 is a top view of the first embodiment of the combination razor handle and blade;

FIG. 4 is a bottom view of the first embodiment of the combination razor handle and blade;

FIG. 5 is a front view of the first embodiment of the combination razor handle and blade;

FIG. 6 is a rear view of the first embodiment of the combination razor handle and blade;

FIG. 7 is a front perspective view of a second embodiment of the combination razor handle and blade;

FIG. 8 is a side view of the second embodiment of the combination razor handle and blade;

FIG. 9 is a top view of the second embodiment of the combination razor handle and blade;

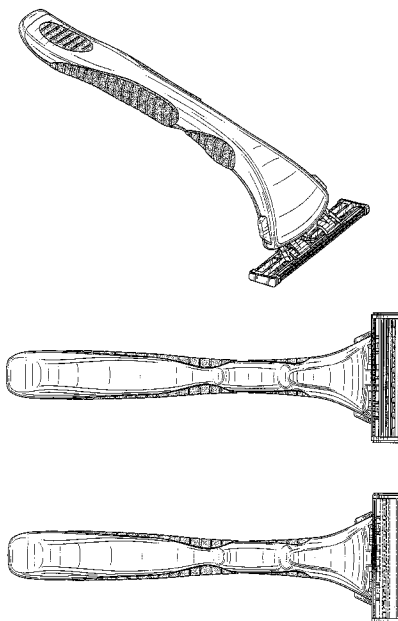
FIG. 10 is a bottom view of the second embodiment of the combination razor handle and blade;

FIG. 11 is a front view of the second embodiment of the combination razor handle and blade; and,

FIG. 12 is a rear view of the second embodiment of the combination razor handle and blade.

The structures shown in broken lines are for illustrative purposes only and form no part of the claimed design.

1 Claim, 10 Drawing Sheets



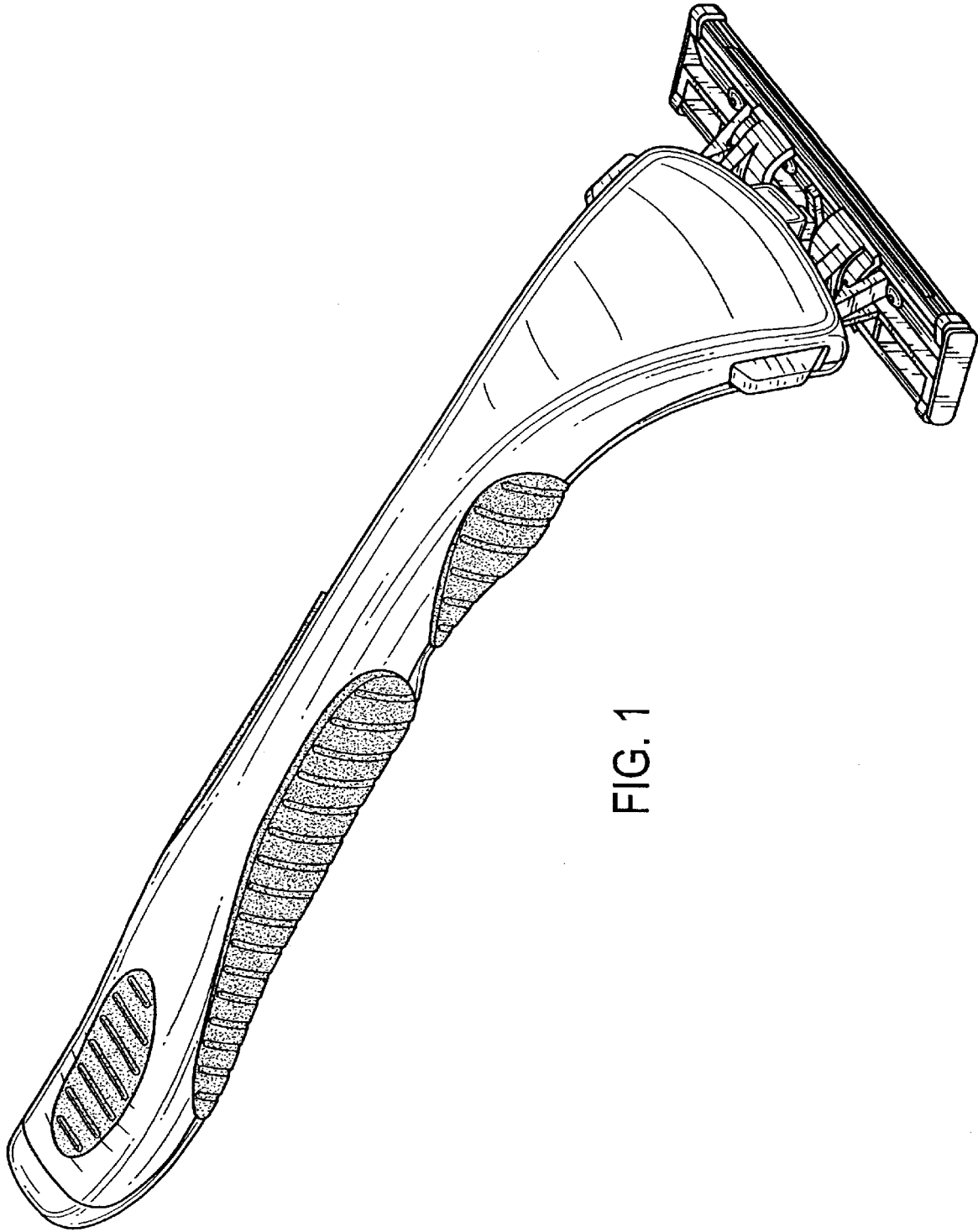


FIG. 1

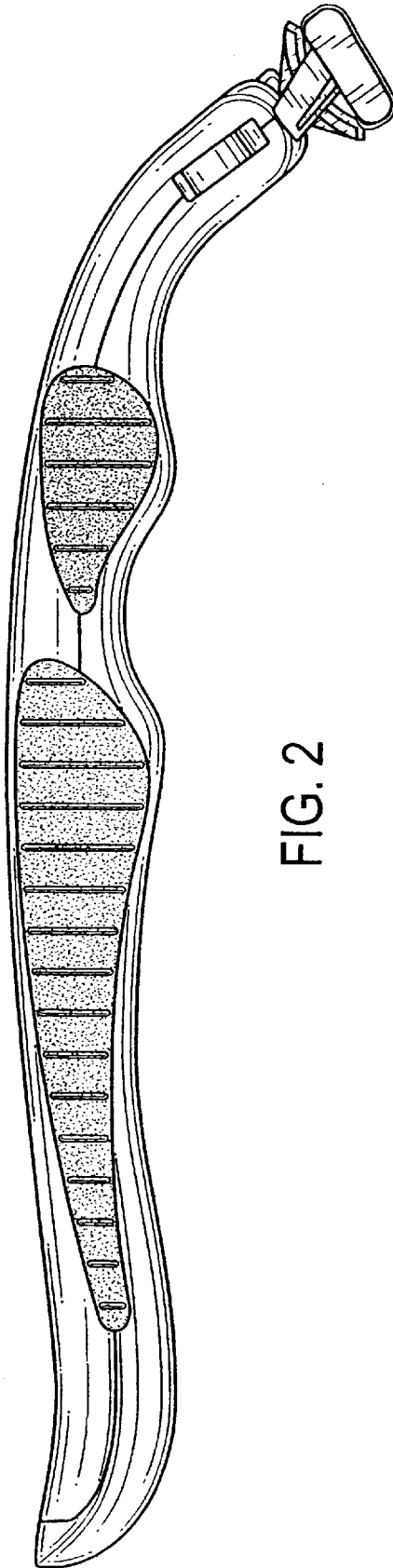


FIG. 2

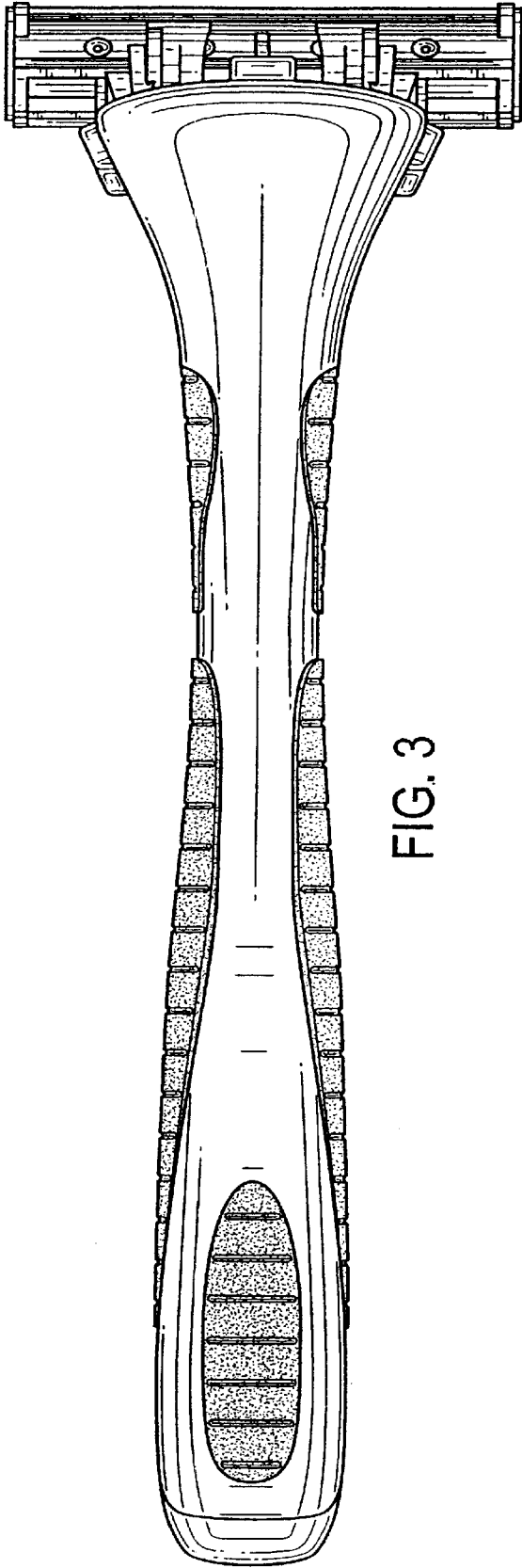


FIG. 3

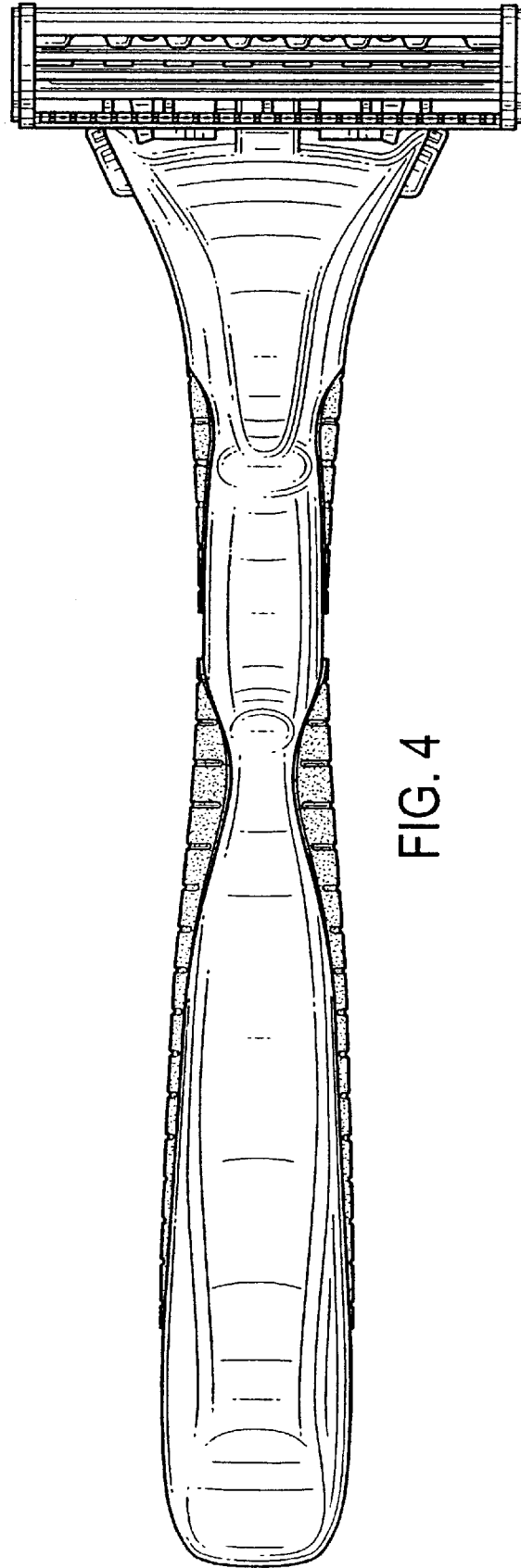


FIG. 4

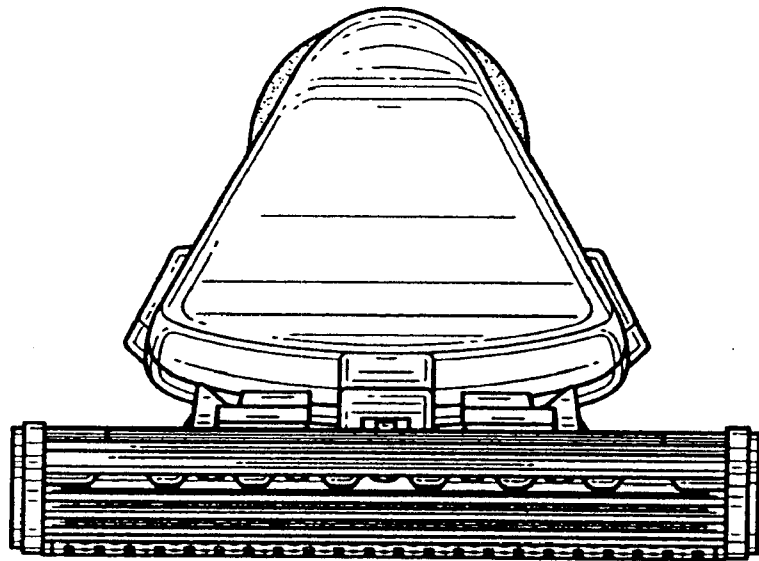


FIG. 5

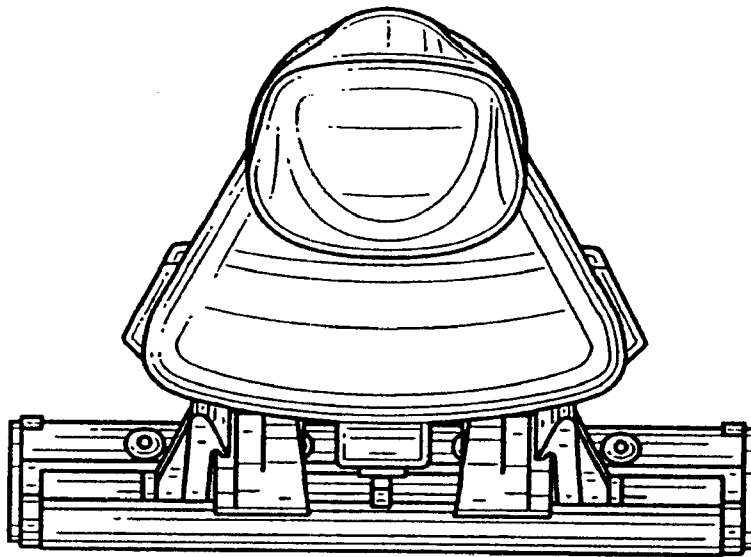


FIG. 6

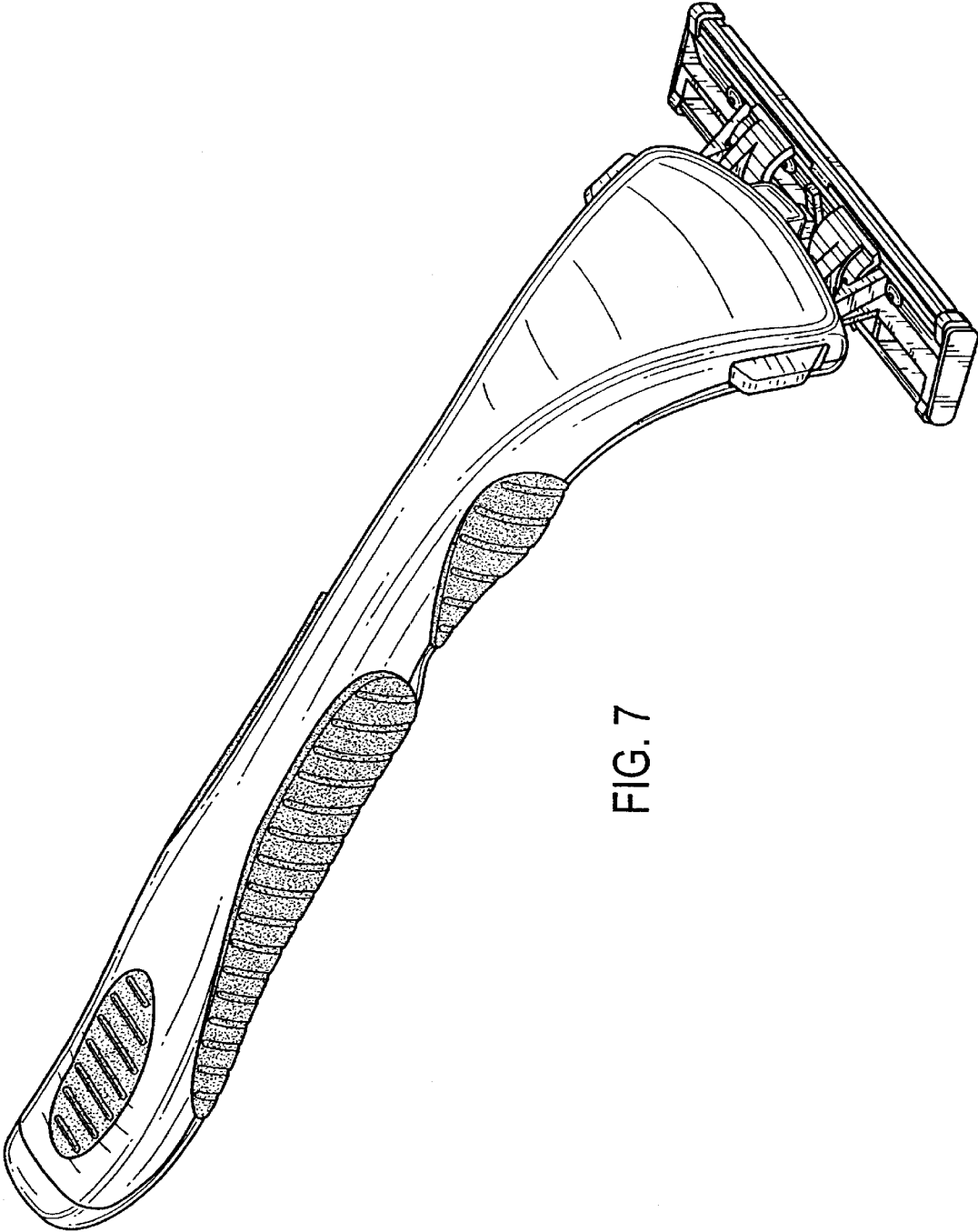


FIG. 7

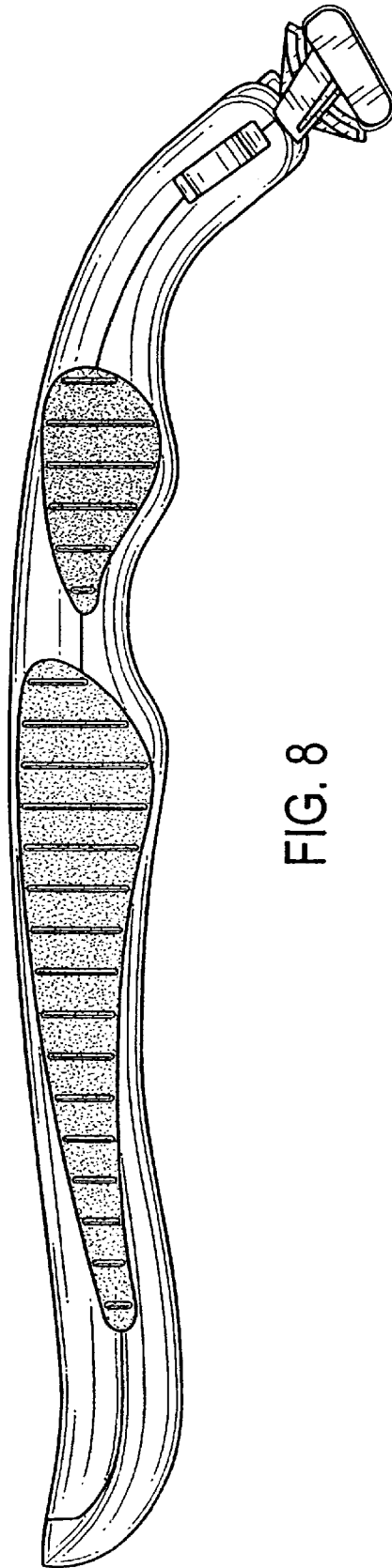


FIG. 8

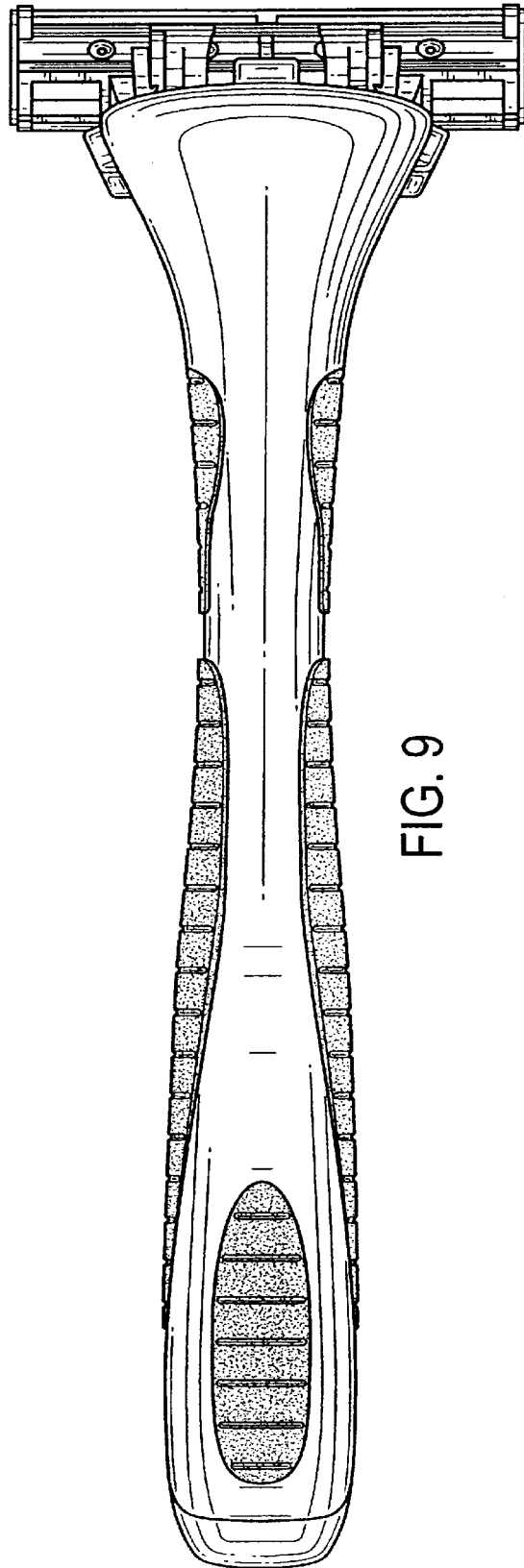


FIG. 9

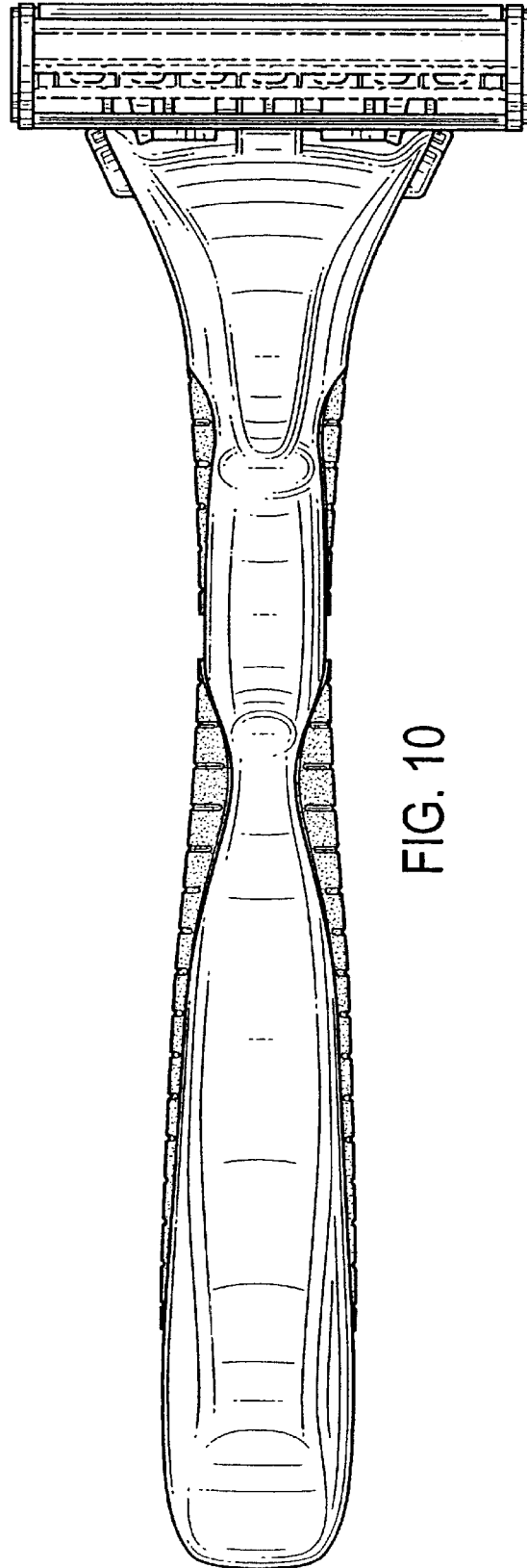


FIG. 10

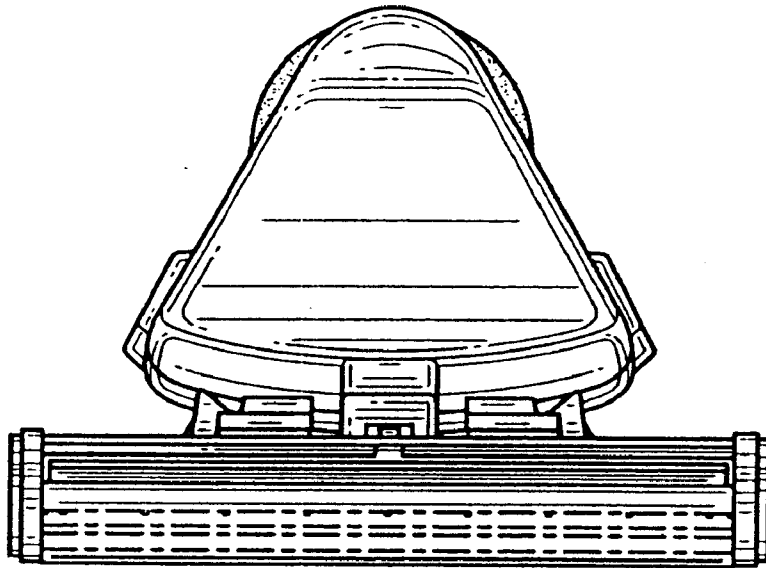


FIG. 11

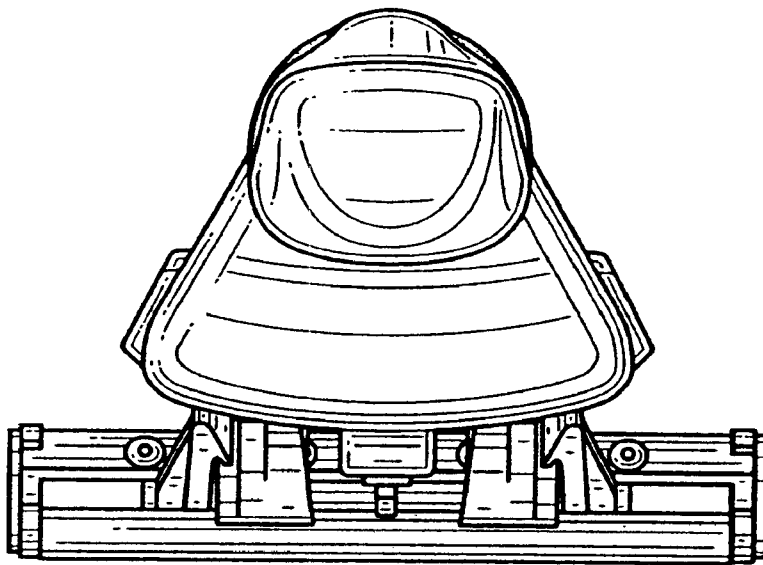


FIG. 12