



(12) **United States Design Patent**  
**McSweyn**

(10) **Patent No.:** **US D890,739 S**  
(45) **Date of Patent:** **\*\* Jul. 21, 2020**

(54) **SUCTION CUP MOUNT WITH MULTI-PART STALK**

6,076,790 A 6/2000 Richter  
6,135,408 A 10/2000 Richter  
6,149,116 A 11/2000 Won

(Continued)

(71) Applicant: **Scosche Industries, Inc.**, Oxnard, CA (US)

(72) Inventor: **Christopher Michael McSweyn**, Oxnard, CA (US)

(73) Assignee: **Scosche Industries, Inc.**, Oxnard, CA (US)

(\*\*) Term: **15 Years**

(21) Appl. No.: **29/675,787**

(22) Filed: **Jan. 4, 2019**

(51) **LOC (12) Cl.** ..... **14-03**

(52) **U.S. Cl.**  
USPC ..... **D14/253**

(58) **Field of Classification Search**  
USPC ..... D14/251-253, 447, 452; D12/415; D3/218; D8/349, 363; D6/656.11, D6/656.12, 656.13, 656.15, 656.16, 655, D6/655.1, 675.1  
CPC ..... H04M 1/02; H04M 1/04; B60R 11/02; F16M 11/00; F16M 11/04; F16M 11/06  
See application file for complete search history.

(56) **References Cited**

**U.S. PATENT DOCUMENTS**

3,329,277 A	7/1967	Gaudino
3,642,122 A	2/1972	Von Ende
D306,396 S	3/1990	Brushaber
D317,697 S	6/1991	Lage
D327,840 S	7/1992	Askew
5,213,240 A	5/1993	Dietz et al.
D362,230 S	9/1995	Yokozawa
D362,657 S	9/1995	Tomikawa et al.
D398,796 S	9/1998	Fauchald et al.
5,992,807 A	11/1999	Tarulli
6,075,499 A	6/2000	Edwards et al.

**FOREIGN PATENT DOCUMENTS**

CN 201113495 Y 9/2008  
CN 202042680 U 11/2011

(Continued)

**OTHER PUBLICATIONS**

The Original iMagnet Cradle-Less Universal Car Phone Windshield Dashboard Mount Holder for iPhone 6, 6 Plus, 6S, 6S Plus, 5S 5, Galaxy S6 S5, Note 5 4 3, With Official iMagnet Logo, iMagnet, Amazon.com, Aug. 19, 2012.

(Continued)

*Primary Examiner* — Janice Hallmark

(74) *Attorney, Agent, or Firm* — Stetina Brunda Garred & Brucker

(57) **CLAIM**

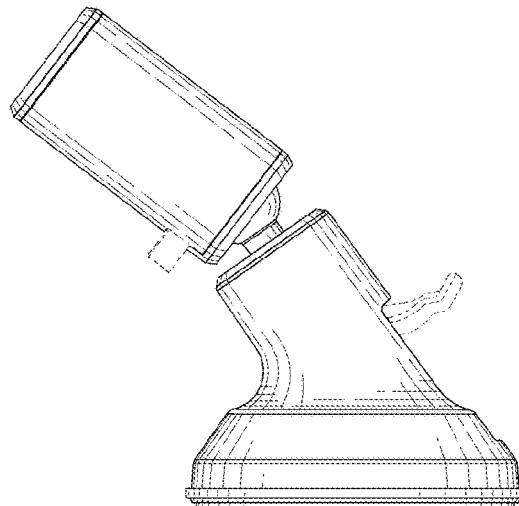
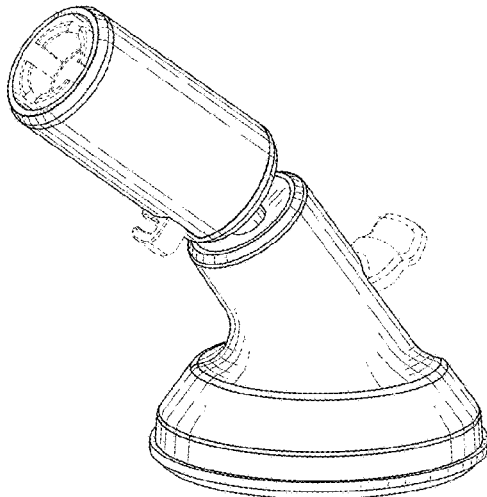
The ornamental design for a suction cup mount with multi-part stalk, as shown and described.

**DESCRIPTION**

FIG. 1 is a front perspective view showing a suction cup mount with multi-part stalk of the present invention; FIG. 2 is a front view thereof; FIG. 3 is a right side view thereof; FIG. 4 is a top view thereof; FIG. 5 is a bottom view thereof; FIG. 6 is a left side view thereof; and, FIG. 7 is rear view thereof.

In the drawings, the broken line showings are for purposes of illustrating environmental structure or portions of the suction cup mount with multi-part stalk that form no part of the claimed design.

**1 Claim, 2 Drawing Sheets**



(56)

## References Cited

## U.S. PATENT DOCUMENTS

- 6,305,656 B1 10/2001 Wemyss  
6,382,482 B1 5/2002 Chao  
6,502,727 B1 1/2003 Decoteau  
D479,196 S 9/2003 Shih  
D489,578 S 5/2004 Lai  
6,888,940 B1 5/2005 Deppen  
6,959,640 B2 11/2005 Flick  
7,021,593 B1 4/2006 Fan  
D521,850 S 5/2006 Richter et al.  
D530,333 S 10/2006 Richter  
D543,439 S 5/2007 Brassard  
D551,058 S 9/2007 Carnevali  
D552,454 S 10/2007 Fynn  
D553,959 S 10/2007 Brassard  
D554,042 S 10/2007 Richter  
D554,491 S 11/2007 Stenberg  
7,296,771 B2 11/2007 Kalis et al.  
D560,592 S 1/2008 Brassard  
D561,345 S 2/2008 Flick  
D563,309 S 3/2008 Richter  
D565,937 S 4/2008 Tsai  
7,374,142 B2 5/2008 Carnevali  
D570,836 S 6/2008 Chen  
D576,865 S 9/2008 Chiang et al.  
7,431,251 B2 10/2008 Carnevali  
D588,903 S 3/2009 Carnevali  
D590,835 S 4/2009 Richter  
D592,205 S 5/2009 O'Brien  
D600,991 S 9/2009 Lai  
D603,322 S 11/2009 Nicieja  
D604,722 S 11/2009 Mistry  
D609,644 S 2/2010 Lin  
D609,695 S 2/2010 Cigliano et al.  
D613,731 S \* 4/2010 Yeo D14/253  
D614,613 S \* 4/2010 Kim D14/253  
D618,221 S 6/2010 Fahrenдорff et al.  
D626,541 S \* 11/2010 Kim D14/253  
D638,008 S 5/2011 Richter  
D640,242 S 6/2011 Fahrenдорff et al.  
8,016,255 B2 9/2011 Lin  
D654,120 S \* 2/2012 Lin D14/434  
D654,874 S 2/2012 Au  
D655,282 S \* 3/2012 Richter D14/253  
D656,128 S 3/2012 Park  
D656,465 S 3/2012 Au  
D656,899 S 4/2012 Webb et al.  
D657,781 S 4/2012 Yang  
D657,783 S \* 4/2012 Mo D14/251  
D664,952 S \* 8/2012 Richter D14/253  
D670,157 S 11/2012 Mo  
D671,074 S 11/2012 Hori et al.  
D677,709 S 3/2013 Skeoch et al.  
D681,028 S \* 4/2013 Richter D14/253  
D681,867 S 5/2013 Wegger et al.  
D686,595 S 7/2013 Andre et al.  
8,496,222 B2 7/2013 Li  
D687,441 S 8/2013 Janzen  
D690,707 S 10/2013 Minn et al.  
D694,249 S 11/2013 Akana et al.  
D700,175 S 2/2014 Ohm  
D705,211 S 5/2014 Huang  
D709,066 S 7/2014 Byun  
D709,072 S 7/2014 Askew-Harris et al.  
D711,322 S 8/2014 McSweyn et al.  
D713,398 S 9/2014 Alesi et al.  
D715,132 S 10/2014 McSweyn et al.  
D715,790 S \* 10/2014 Conomos D14/253  
D718,297 S \* 11/2014 Aspinall D14/253  
D718,298 S \* 11/2014 Aspinall D14/253  
D718,612 S 12/2014 McSweyn et al.  
D719,959 S 12/2014 Vogel  
D727,259 S 4/2015 Hwang  
D730,723 S 6/2015 McSweyn et al.  
D732,519 S \* 6/2015 Aspinall D14/253  
D733,116 S \* 6/2015 Aspinall D14/253
- D735,132 S 7/2015 Donohue, II et al.  
D739,708 S 9/2015 McSweyn et al.  
D750,633 S 3/2016 Minn et al.  
D761,769 S 7/2016 Harper  
D772,203 S 11/2016 Zeng  
D778,713 S 2/2017 McSweyn et al.  
D780,743 S \* 3/2017 Chun D14/253  
D782,415 S 3/2017 Zhang  
D783,013 S \* 4/2017 Chun D14/253  
D783,014 S \* 4/2017 Chun D14/253  
D792,380 S 7/2017 Harper  
D819,015 S \* 5/2018 Lee D14/253  
D824,378 S \* 7/2018 Sukphisit D14/253  
D824,380 S \* 7/2018 Lee D14/253  
D825,545 S \* 8/2018 McSweyn D14/253  
D831,462 S \* 10/2018 McSweyn D8/349  
D831,665 S 10/2018 Yao et al.  
D831,666 S 10/2018 Yao et al.  
D832,248 S \* 10/2018 Sukphist D14/253  
D850,436 S \* 6/2019 Vogel D14/253  
D859,395 S \* 9/2019 Yao D14/253  
D862,454 S \* 10/2019 Chun D14/253  
D873,897 S \* 1/2020 Wengreen D16/242  
2005/0092875 A1 5/2005 Carnevali  
2006/0290654 A1 12/2006 Wang  
2007/0018064 A1 1/2007 Wang  
2008/0023606 A1 1/2008 Kalis et al.  
2010/0320341 A1 \* 12/2010 Baumann B6R 11/0241  
248/206.2  
2011/0192857 A1 8/2011 Rothbaum et al.  
2012/0229300 A1 9/2012 Fu  
2012/0292463 A1 11/2012 Burns  
2012/0295451 A1 11/2012 Hyun-Jun et al.  
2013/0043827 A1 2/2013 Weinstein et al.  
2013/0187020 A1 7/2013 Trotsky  
2014/0346295 A1 11/2014 Song  
2014/0357094 A1 12/2014 Kim  
2015/0207351 A1 7/2015 Hamburgren et al.  
2015/0288205 A1 10/2015 Weinstein et al.

## FOREIGN PATENT DOCUMENTS

CN 203193688 U 9/2013  
CN 203416030 U 1/2014  
JP 2000231910 A 8/2000

## OTHER PUBLICATIONS

Mounts posted by Scoshe found on Sep. 27, 2016 at <http://www.scoshe.com/consumer-tech/mounts>.

Magnetic Nanoport links phones to accessories, cars, each other; Jan. 7, 2014 <http://www.cnet.com/news/magnetic-nanoport-links-phones-to-accessories-cars-each-other/>.

Clever smartphone case offers an ingenious way to charge your phone on the go; Jun. 20, 2014 <http://bgr.com/2014/06/20/best-smartphone-accessories-zolo/>.

Logitech Case+ Review: Brilliant iPhone Case Concept, Flawed Execution; May 13, 2014 <http://time.com/98112/logitech-case-plus-review/>.

Scoshe Magic Mount Pro Home Qi, Scoshe published on Jan. 30, 2017 on [twice.com](http://twice.com), retrieved from the Internet URL: <http://www.twice.com/twice-picks-award-sinner-scoshe-mpqhd-magicmount-pro-home-qi/64136>.

Japanese Office Action dated Jan. 29, 2019 [Japanese Design Application No. 2018-016592].

Korean Office Action dated Dec. 3, 2018 [Korean Design Application No. 30-2018-0034999].

<https://www.scoshe.com/awards>; Jan. 9, 2018.

Design of "wireless charger for mobile phone" Registration No. 30-0842715 published on Mar. 4, 2016 in the South Korea Design Trademark Bulletin.

Korean Office Action dated Dec. 3, 2018 [Korean Design Application No. 30-2018-0035007].

\* cited by examiner

FIG. 1

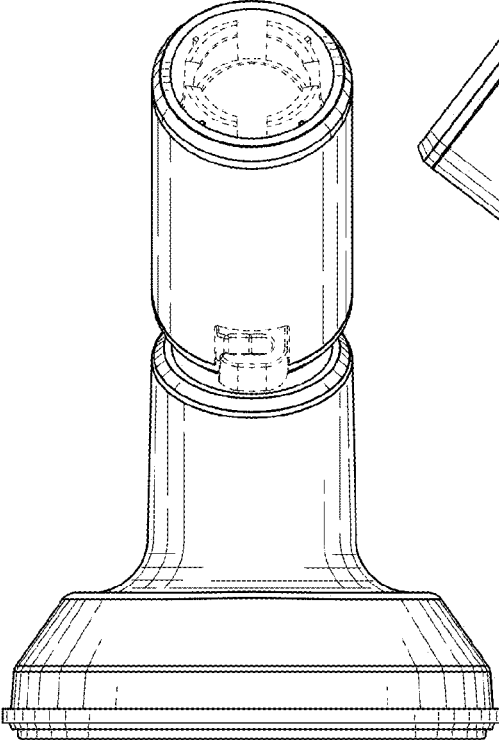
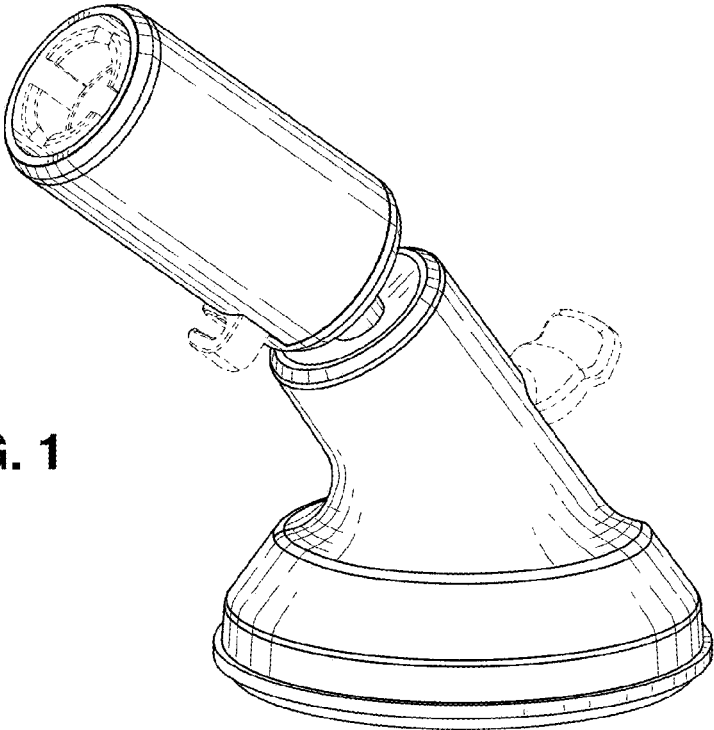


FIG. 2

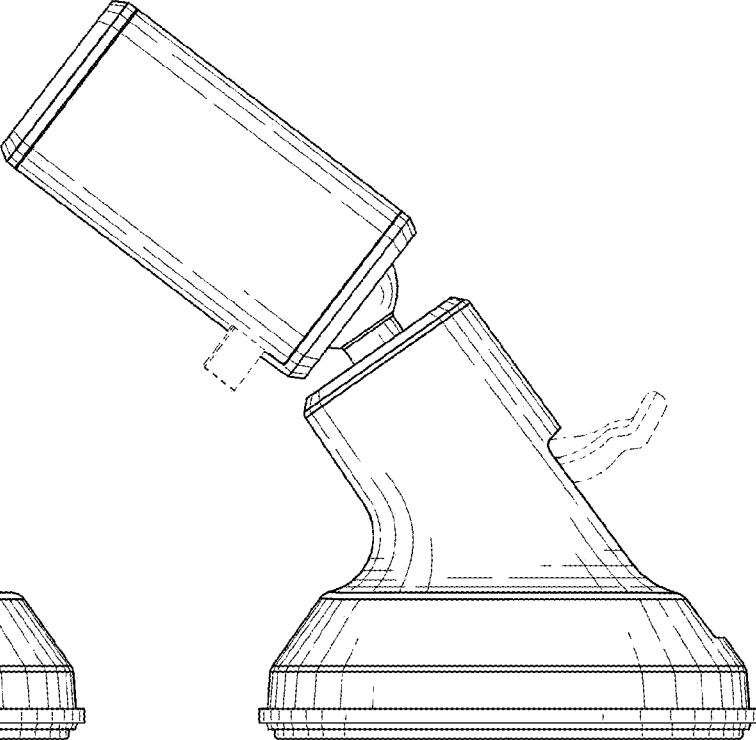


FIG. 3

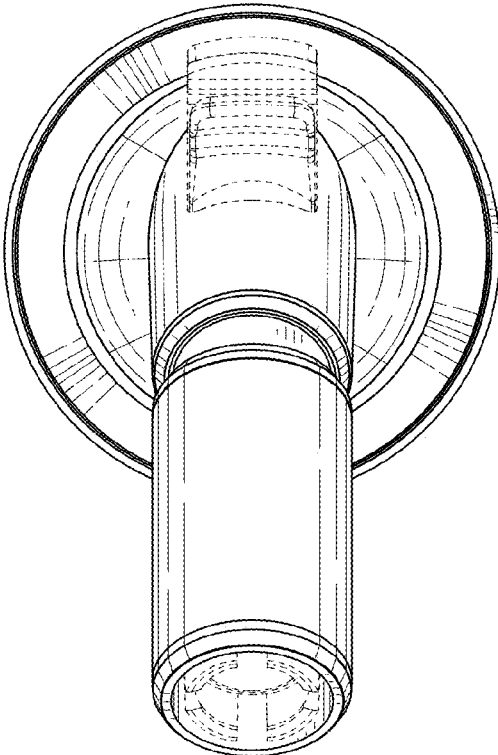


FIG. 4

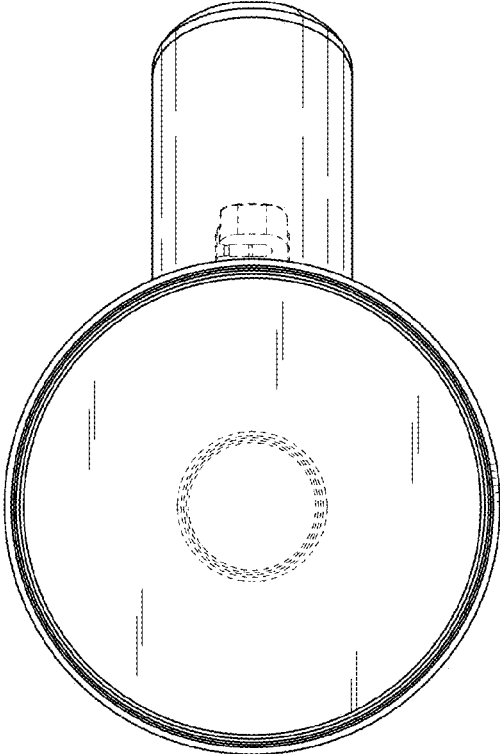


FIG. 5

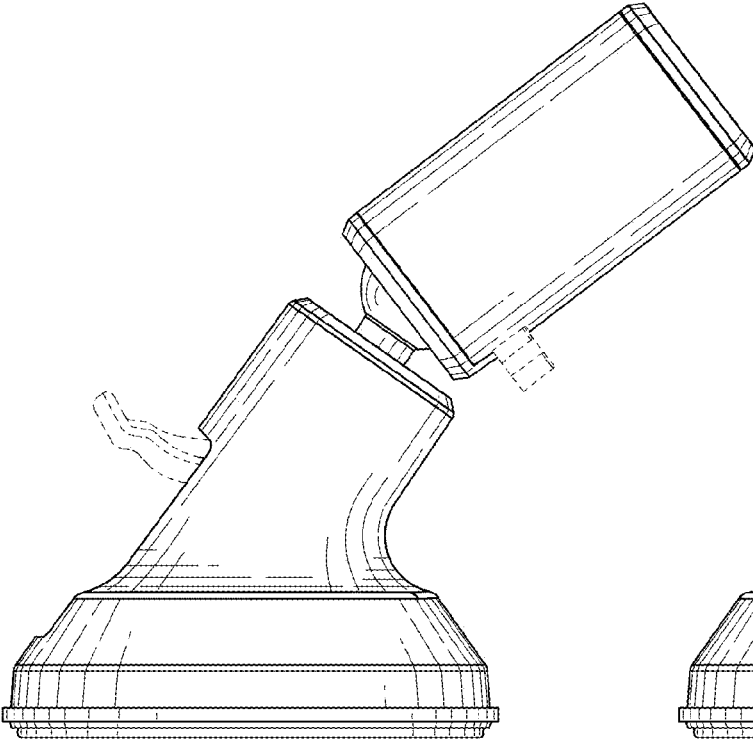


FIG. 6

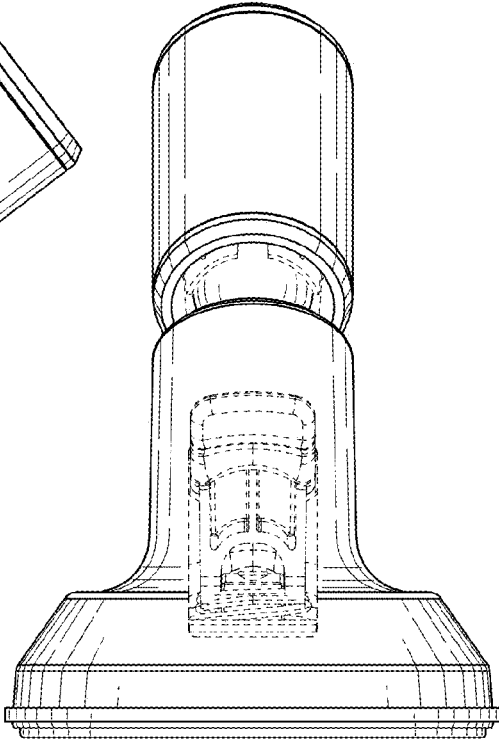


FIG. 7