



US00D854693S

(12) **United States Design Patent**
Goldsmith

(10) **Patent No.:** **US D854,693 S**

(45) **Date of Patent:** **** Jul. 23, 2019**

(54) **MULTI-PLANE STABILISER**
(71) Applicant: **SIMPLE STUFF WORKS ASSOCIATES LTD**, Oldbury (GB)
(72) Inventor: **John Edward Goldsmith**, Tamworth (GB)
(73) Assignee: **SIMPLE STUFF WORKS ASSOCIATES LTD**, Oldbury (GB)
(**) Term: **15 Years**

(21) Appl. No.: **29/603,003**
(22) Filed: **May 5, 2017**

(30) **Foreign Application Priority Data**
Nov. 21, 2016 (GB) 1619650.3
(51) **LOC (11) Cl.** **24-02**
(52) **U.S. Cl.**
USPC **D24/171**
(58) **Field of Classification Search**
USPC D15/199; D24/171, 183, 184, 190
CPC G11B 7/003; G11B 15/64; G11B 21/16
See application file for complete search history.

(56) **References Cited**
U.S. PATENT DOCUMENTS
4,354,485 A * 10/1982 Safadago A61G 13/009
606/242
4,506,664 A * 3/1985 Brault A61F 5/05883
5/628

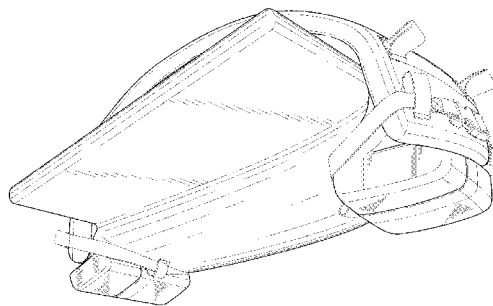
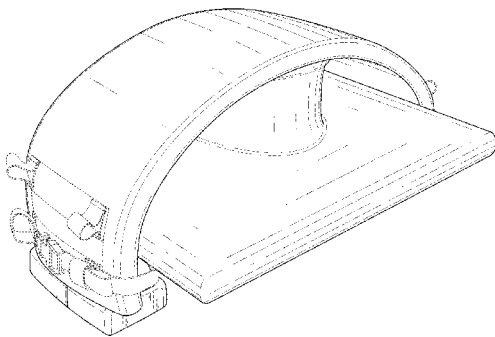
D311,470 S * 10/1990 Cosgrove, III 5/648
D345,797 S * 4/1994 Gardner 5/648
D438,624 S * 3/2001 Reina D24/190
D467,344 S * 12/2002 van den Heuvel D24/183
D719,265 S * 12/2014 Wang D24/171
D749,230 S * 2/2016 Safko D24/190
D775,352 S * 12/2016 Mills D24/171
D775,353 S * 12/2016 Anderson D24/171
D799,052 S * 10/2017 Rossouw D24/190
D811,614 S * 2/2018 Marton D24/190
D826,410 S * 8/2018 Christensen D24/183
D841,819 S * 2/2019 Clark D24/183

* cited by examiner
Primary Examiner — Patricia A Palasik
(74) *Attorney, Agent, or Firm* — Hodgson Russ LLP

(57) **CLAIM**
The ornamental design for a multi-plane stabiliser, as shown and described.

DESCRIPTION
FIG. 1 is a top perspective view of a multi-plane stabiliser; FIG. 2 is a bottom perspective view thereof; FIG. 3 is a front elevation view thereof; FIG. 4 is a rear elevation view thereof; FIG. 5 is a left side elevation view thereof; FIG. 6 is a right side view thereof; FIG. 7 is a top plan view thereof; and, FIG. 8 is a bottom plan view thereof.
The broken lines represent unclaimed features that form no part of the claimed design.

1 Claim, 8 Drawing Sheets



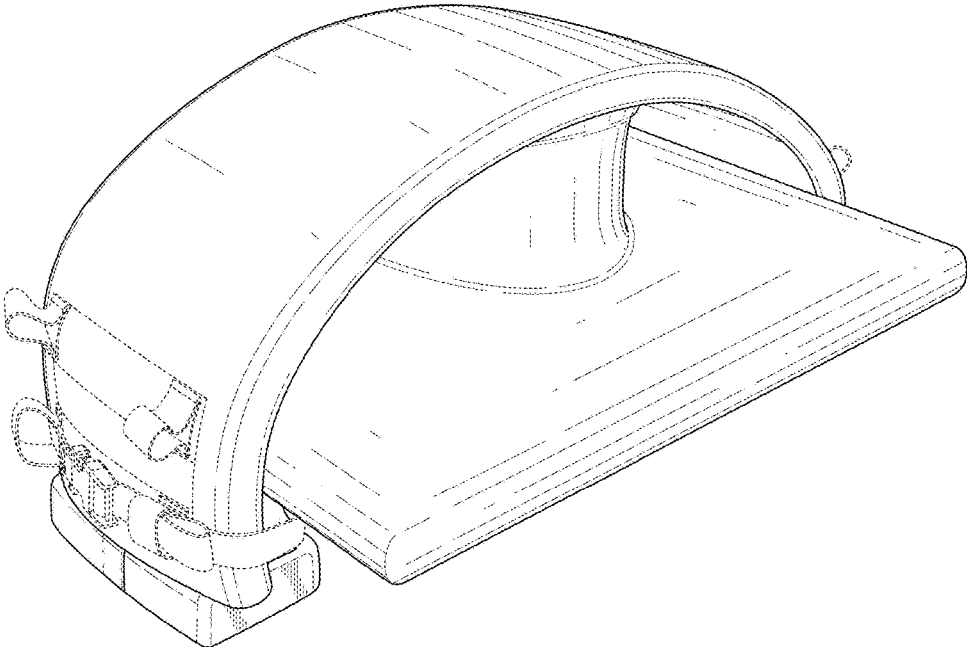


FIG. 1

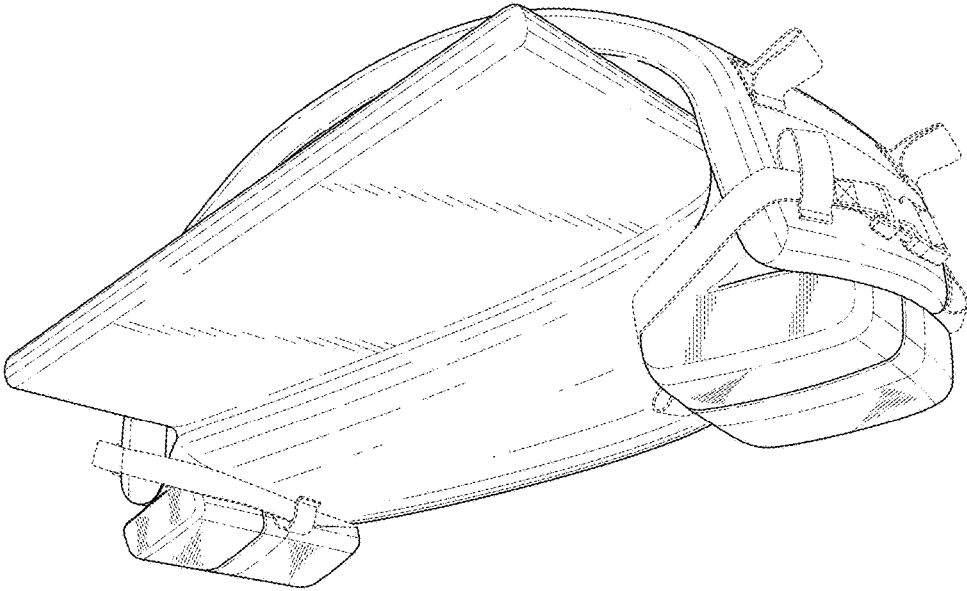


FIG. 2

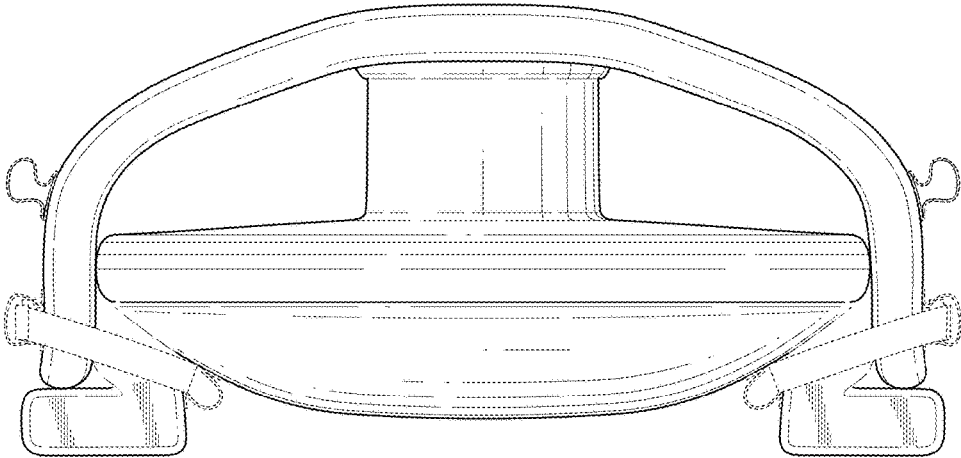


FIG. 3

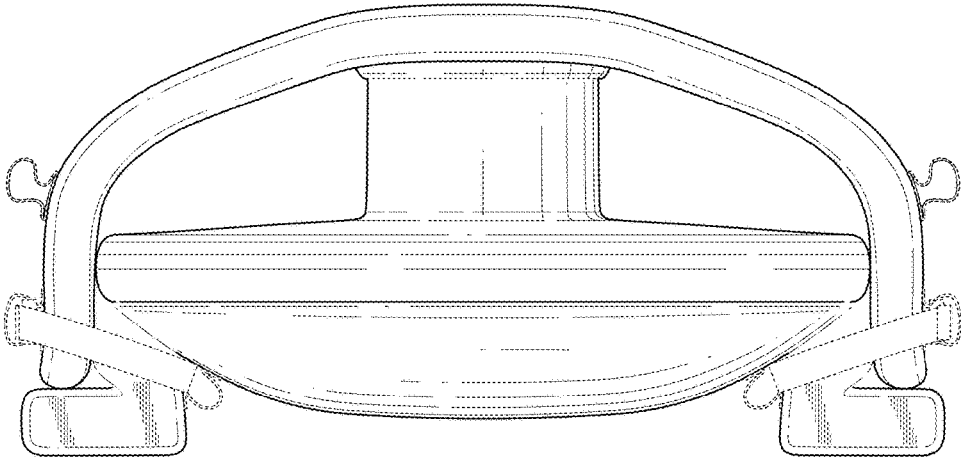


FIG. 4

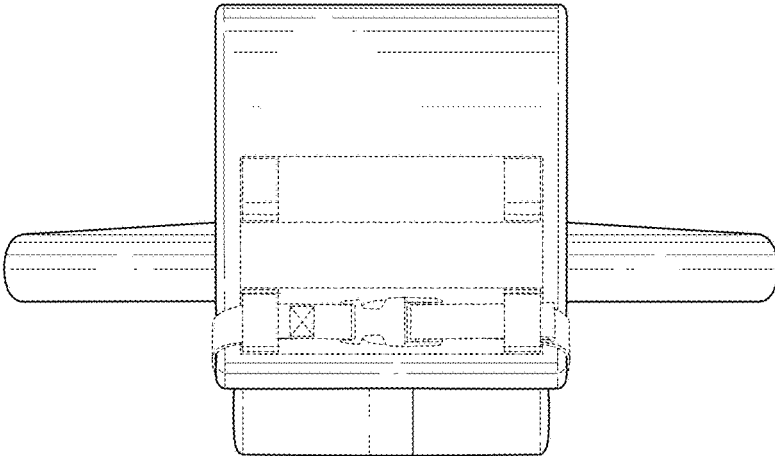


FIG. 5

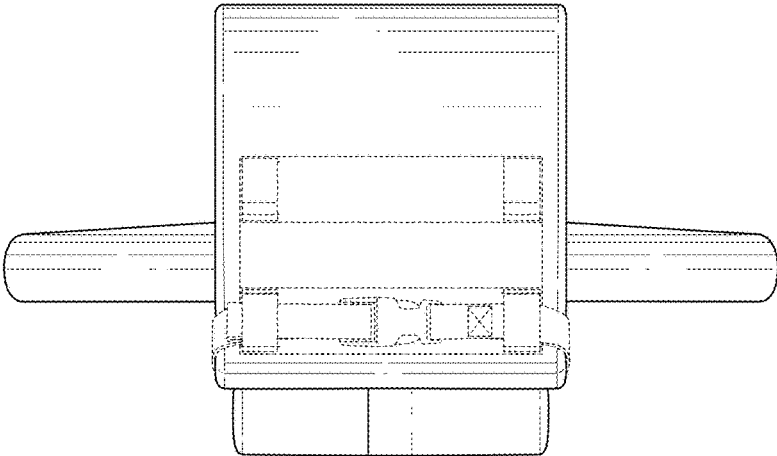


FIG. 6

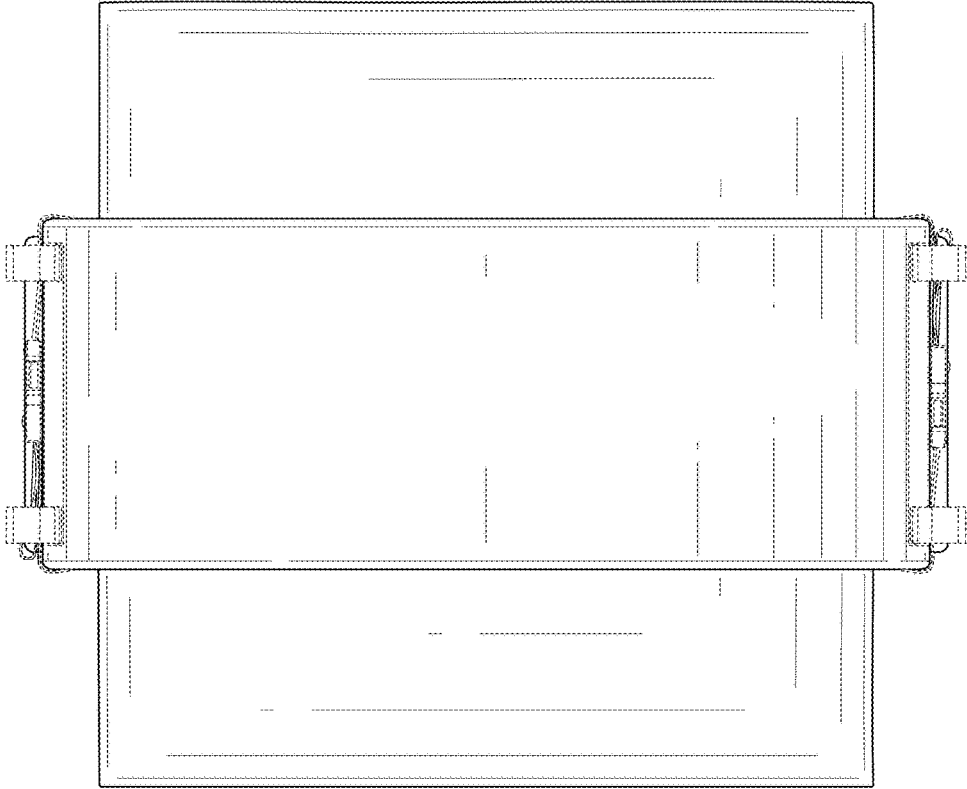


FIG. 7

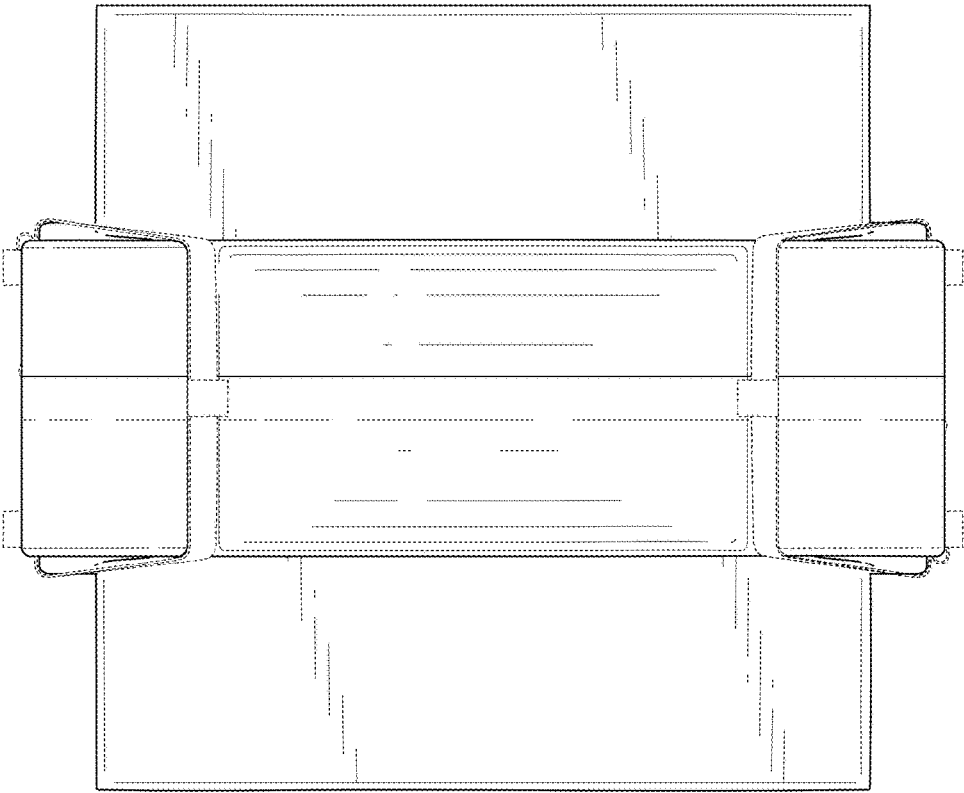


FIG. 8