



US00D686015S

(12) **United States Design Patent**
Arko et al.

(10) **Patent No.:** **US D686,015 S**

(45) **Date of Patent:** **** Jul. 16, 2013**

(54) **FURNITURE PORTION**
(75) Inventors: **Robert Peter Arko**, San Francisco, CA (US); **John R. Hamilton**, San Rafael, CA (US); **Justin Champaign**, San Francisco, CA (US)

D290,665 S 7/1987 Snodgrass
D293,522 S 1/1988 Miller
D300,487 S 4/1989 Dyer
D305,708 S 1/1990 Newhouse
D306,106 S 2/1990 Bush et al.
D308,775 S 6/1990 Diekman
D312,738 S 12/1990 Newhouse
D313,227 S 12/1990 Rabbat et al.

(73) Assignee: **Steelcase Inc.**, Grand Rapids, MI (US)

(Continued)

(**) Term: **14 Years**

FOREIGN PATENT DOCUMENTS

(21) Appl. No.: **29/390,355**

CA 824044 A 9/1969

(22) Filed: **Apr. 22, 2011**

Primary Examiner — Ricky Pham

(51) **LOC (9) Cl.** **06-06**

(74) *Attorney, Agent, or Firm* — Quarles & Brady LLP

(52) **U.S. Cl.**
USPC **D6/509**

(57) **CLAIM**

The ornamental design for a furniture portion, as shown and described.

(58) **Field of Classification Search**
USPC D6/397, 420-441, 445-451, 460-470, D6/474-479, 492-495, 509-510, 561, 668.2, D6/671.1, 703; D13/184; 312/107-109, 114, 312/194, 198, 204, 213, 224, 278-279, 290, 312/311, 324, 223.1, 257.1, 265.3
See application file for complete search history.

DESCRIPTION

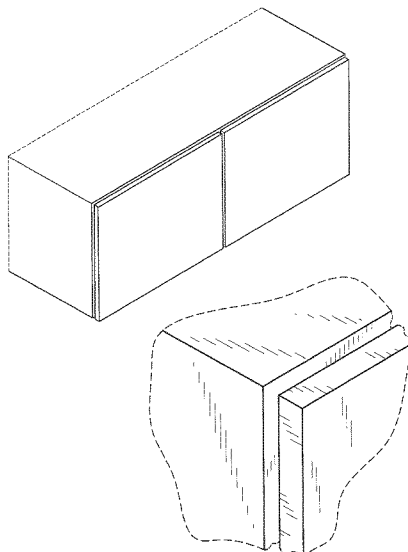
FIG. 1 is a left, top, front perspective view of a furniture portion according to our new design;
FIG. 2 is an enlarged left, top, front perspective view of an upper left corner portion thereof;
FIG. 3 is a left, top, rear perspective view of the furniture portion of our new design;
FIG. 4 is an enlarged left, top, rear perspective view of an upper left corner portion thereof;
FIG. 5 is a front elevational view of the corner portion shown in FIG. 2;
FIG. 6 is a left side elevational view thereof; and,
FIG. 7 is a top plan view thereof.
The broken line representations in the figures are for the purpose of illustrating unclaimed boundaries and/or unclaimed environment. The broken lines are thus not part of the claim.
The nature of this product is a portion of a furniture piece, such as a cabinet, bench, cart, credenza, table and the like.

(56) **References Cited**

U.S. PATENT DOCUMENTS

D140,575 S 3/1945 Stanitz
D158,930 S 6/1950 Burgold
3,544,185 A 12/1970 Lundberg
D223,373 S 4/1972 Elvestad
3,881,794 A 5/1975 Henning
D249,429 S 9/1978 Robinson
D255,190 S 6/1980 Zapf
D258,405 S 3/1981 Brown
D267,532 S 1/1983 Platner
D267,689 S 1/1983 Platner
D273,923 S 5/1984 Matthias
D275,350 S 9/1984 Thompson
D276,674 S 12/1984 Gwathmey et al.
D277,153 S 1/1985 Hannah
D284,243 S 6/1986 Barber

1 Claim, 3 Drawing Sheets



US D686,015 S

U.S. PATENT DOCUMENTS

D318,582 S	7/1991	Hollington		D528,824 S	9/2006	Grosfillex	
D324,789 S	3/1992	White		D532,624 S	11/2006	Juneau	
D324,965 S	3/1992	Nelsen		D534,379 S	1/2007	Juneau	
D325,831 S	5/1992	Rosen		D534,737 S	1/2007	Giacometti	
D327,794 S	7/1992	Zapf		D542,057 S *	5/2007	Juneau	D6/446
D334,852 S	4/1993	Beirise		D545,590 S	7/2007	Good	
D336,392 S	6/1993	Whalen		D548,488 S	8/2007	Weatherly	
D344,199 S	2/1994	Stephens		D549,499 S	8/2007	Gaska et al.	
D355,084 S	2/1995	Rosen		D550,478 S	9/2007	Glass, III et al.	
D361,911 S	9/1995	Tatum et al.		D553,385 S	10/2007	Soressi	
D363,837 S	11/1995	Tatum et al.		D553,386 S	10/2007	Soressi	
D365,225 S	12/1995	Poortvliet et al.		D553,879 S	10/2007	Juneau	
D370,799 S	6/1996	Rosen		D560,929 S	2/2008	Woodward et al.	
D384,833 S	10/1997	Kelley		D560,930 S	2/2008	Woodward et al.	
D399,372 S *	10/1998	Zaidman et al.	D6/446	D560,931 S	2/2008	Woodward et al.	
D401,443 S *	11/1998	Zaidman	D6/446	D562,586 S	2/2008	Parker	
D407,385 S	3/1999	Belanger et al.		D568,639 S *	5/2008	Henriott	D6/495
5,971,504 A	10/1999	Kelley et al.		D579,233 S	10/2008	LeTourneau	
D424,830 S *	5/2000	Zaidman	D6/445	D580,195 S *	11/2008	Daino et al.	D6/494
D431,733 S	10/2000	Zimmerman		D592,887 S	5/2009	Mischkulnig	
D432,818 S	10/2000	Hutton		D596,421 S *	7/2009	Kanthasamy	D6/446
D433,248 S	11/2000	Hellwig et al.		D599,136 S	9/2009	Jeup	
D435,741 S	1/2001	Schlereth		D599,137 S *	9/2009	Martin et al.	D6/451
D436,754 S	1/2001	Bellini		D602,723 S *	10/2009	Daino et al.	D6/561
D438,400 S	3/2001	Acheson		D605,424 S	12/2009	Lovegrove	
D439,076 S	3/2001	Mathieu et al.		D609,936 S *	2/2010	Haimoff	D6/432
D439,441 S	3/2001	Mathieu et al.		D613,973 S *	4/2010	Holcomb	D6/494
D440,086 S *	4/2001	Morrow	D6/510	D615,325 S *	5/2010	Holcomb	D6/494
D445,280 S	7/2001	Staar		D617,117 S *	6/2010	Tovin	D6/436
D446,408 S *	8/2001	Mathieu et al.	D6/446	D622,521 S	8/2010	Urquiola	
D448,203 S	9/2001	Jeup		D622,976 S	9/2010	Lovegrove	
D455,289 S *	4/2002	Wanek et al.	D6/446	D623,443 S	9/2010	Zambelli	
D456,175 S	4/2002	Golembeski et al.		D630,453 S *	1/2011	Rafieha	D6/436
D459,614 S	7/2002	Grosfillex		D632,902 S *	2/2011	Rafieha	D6/470
D460,637 S	7/2002	Grosfillex		D645,427 S *	9/2011	Delakowitz	D13/184
6,561,601 B1 *	5/2003	Maffeo	312/257.1	D649,376 S *	11/2011	Borgonovo	D6/441
D477,474 S	7/2003	Milligan		D655,946 S *	3/2012	Sexton	D6/470
D478,432 S	8/2003	Juneau		D663,136 S *	7/2012	Thompson	D6/445
D478,436 S	8/2003	Milligan		D663,137 S *	7/2012	Andersen	D6/470
D479,923 S	9/2003	Berry, Jr. et al.		D663,138 S *	7/2012	Andersen et al.	D6/470
D481,558 S	11/2003	Milligan		D663,550 S *	7/2012	Fodor	D6/446
D488,637 S	4/2004	Stanton		D665,599 S *	8/2012	Bielmann	D6/492
D508,347 S	8/2005	Juneau et al.		D665,600 S *	8/2012	Bielmann	D6/492
D508,796 S	8/2005	Juneau		D668,078 S *	10/2012	Daino et al.	D6/441
D513,138 S *	12/2005	Mohundro	D6/441	D668,475 S *	10/2012	Zambelli	D6/470
D516,835 S	3/2006	Netto et al.		D668,885 S *	10/2012	Tovin	D6/436
D518,310 S	4/2006	Mehmen et al.		D670,510 S *	11/2012	Daino et al.	D6/441
D519,750 S	5/2006	Boudreau		2002/0140325 A1 *	10/2002	Webster et al.	312/223.1
D520,264 S	5/2006	Mehmen et al.		2003/0127956 A1 *	7/2003	Stoever	312/257.1
D521,284 S *	5/2006	Belhumeur	D6/509	2006/0220506 A1 *	10/2006	Irmer et al.	312/265.3
D525,049 S *	7/2006	Mohundro	D6/446	2008/0224578 A1 *	9/2008	Irmer et al.	312/107
D526,814 S	8/2006	Juneau et al.					

* cited by examiner

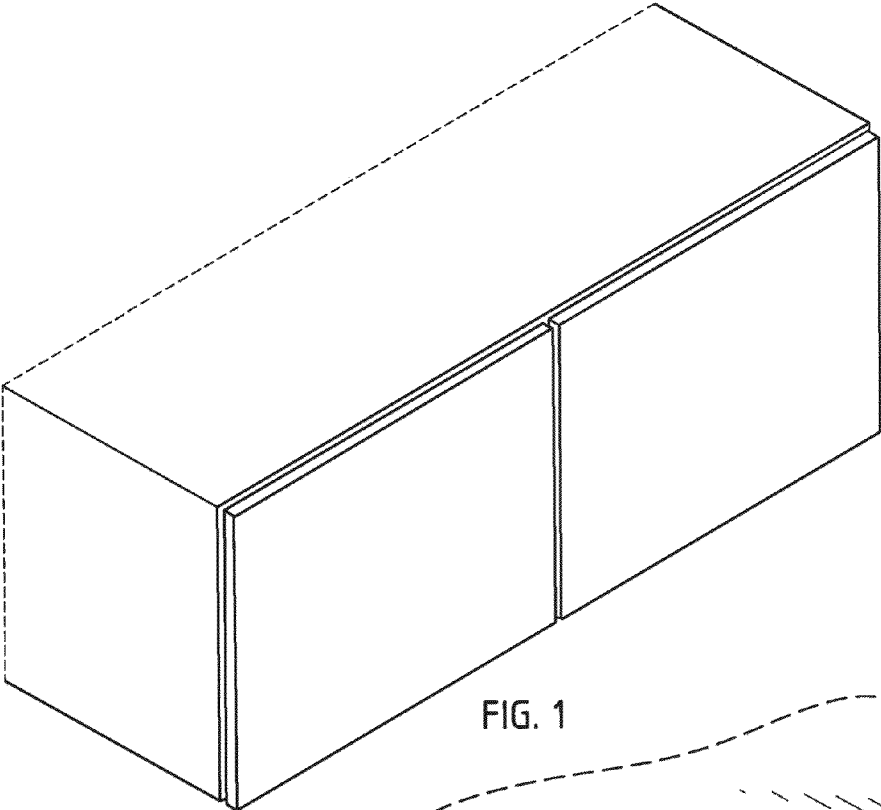


FIG. 1

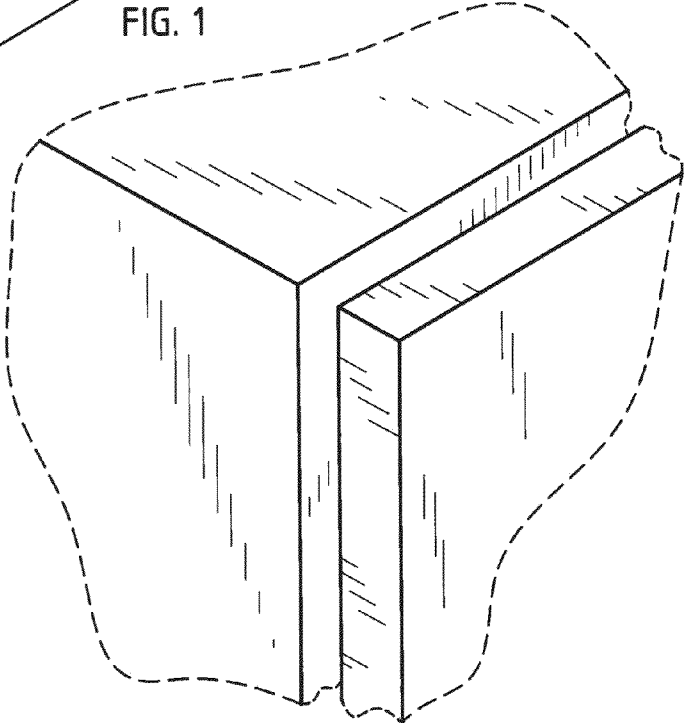


FIG. 2

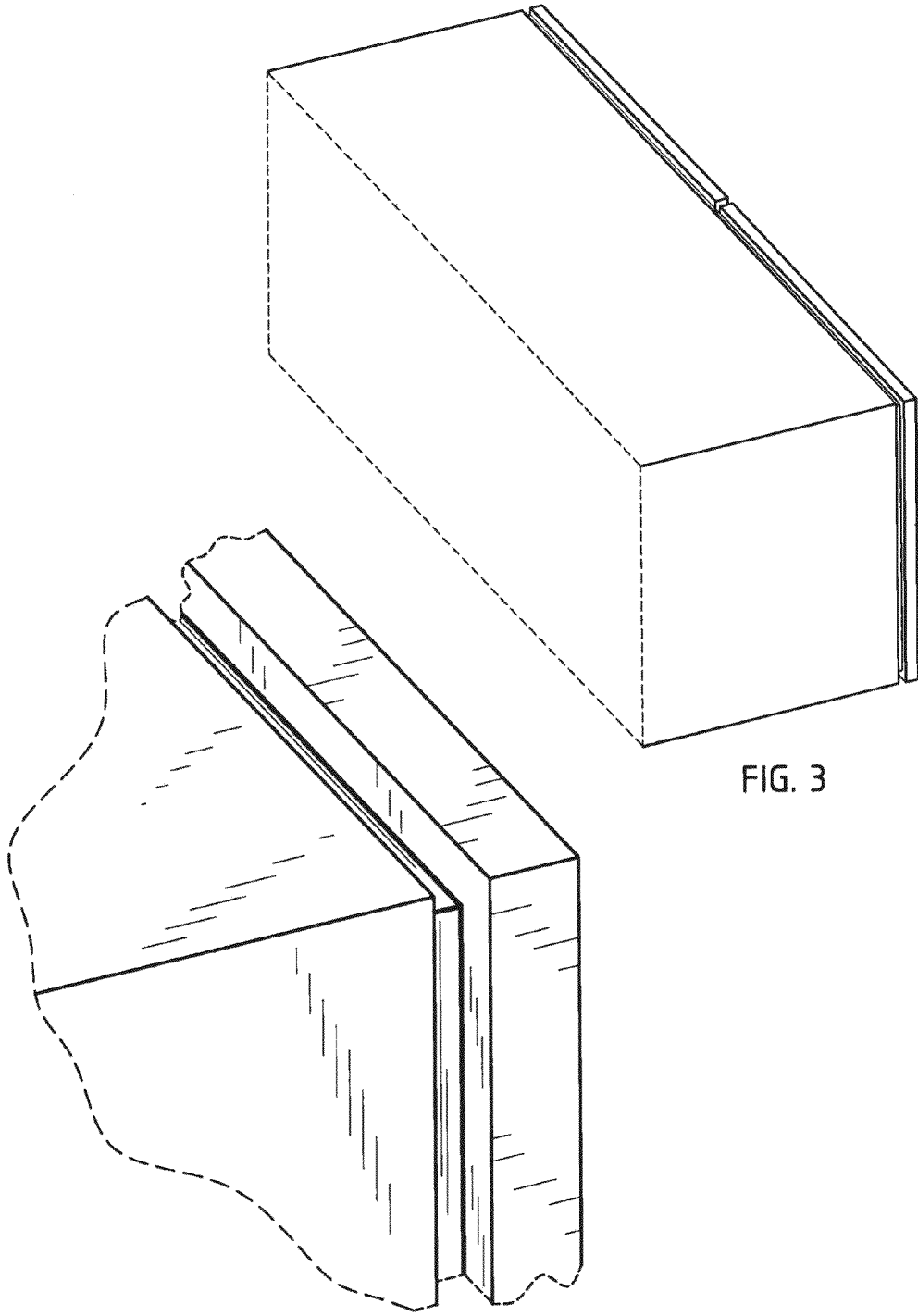


FIG. 3

FIG. 4

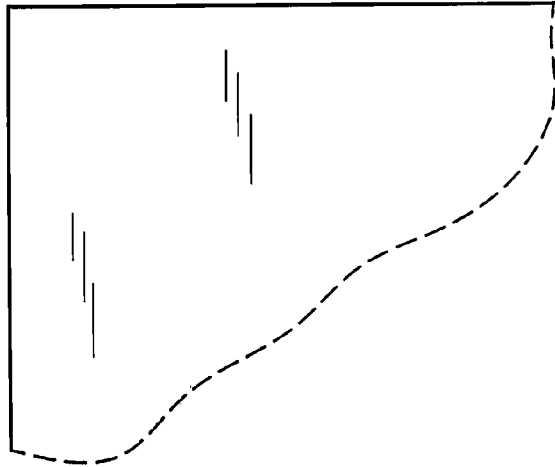


FIG. 5

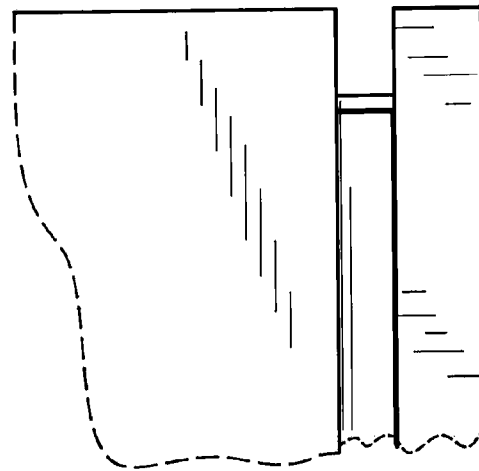


FIG. 6

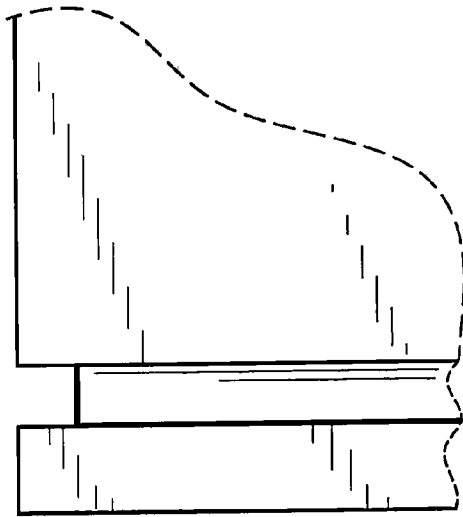


FIG. 7