



US00D584788S

(12) **United States Design Patent**
Price

(10) **Patent No.:** **US D584,788 S**

(45) **Date of Patent:** **** Jan. 13, 2009**

(54) **SIGHT FOR USE ON FIREARMS**

(76) Inventor: **Donald H. Price**, 1574 Coburg Rd.,
#194, Eugene, OR (US) 97401

(**) Term: **14 Years**

(21) Appl. No.: **29/294,613**

(22) Filed: **Jan. 18, 2008**

Related U.S. Application Data

(63) Continuation of application No. 11/010,115, filed on
Dec. 10, 2004.

(51) **LOC (9) Cl.** **22-01**

(52) **U.S. Cl.** **D22/109**

(58) **Field of Classification Search** D22/100,
D22/108, 109, 110; 42/111-113, 120, 128,
42/124, 134, 144, 148, 145; 89/41, 19, 181,
89/200-204; 33/227

See application file for complete search history.

(56) **References Cited**

U.S. PATENT DOCUMENTS

D382,038 S * 8/1997 Nigh D22/109
6,058,616 A * 5/2000 Bubits 42/144

6,360,471 B1 * 3/2002 Stein 42/122
6,804,908 B1 * 10/2004 Hanson et al. 42/148
D546,915 S 7/2007 Price
D565,144 S * 3/2008 Price D22/109

* cited by examiner

Primary Examiner—Cathron C Brooks

Assistant Examiner—Melanie Levy

(74) *Attorney, Agent, or Firm*—Robert E. Howard

(57) **CLAIM**

The ornamental design for a sight for use on firearms, as
shown and described.

DESCRIPTION

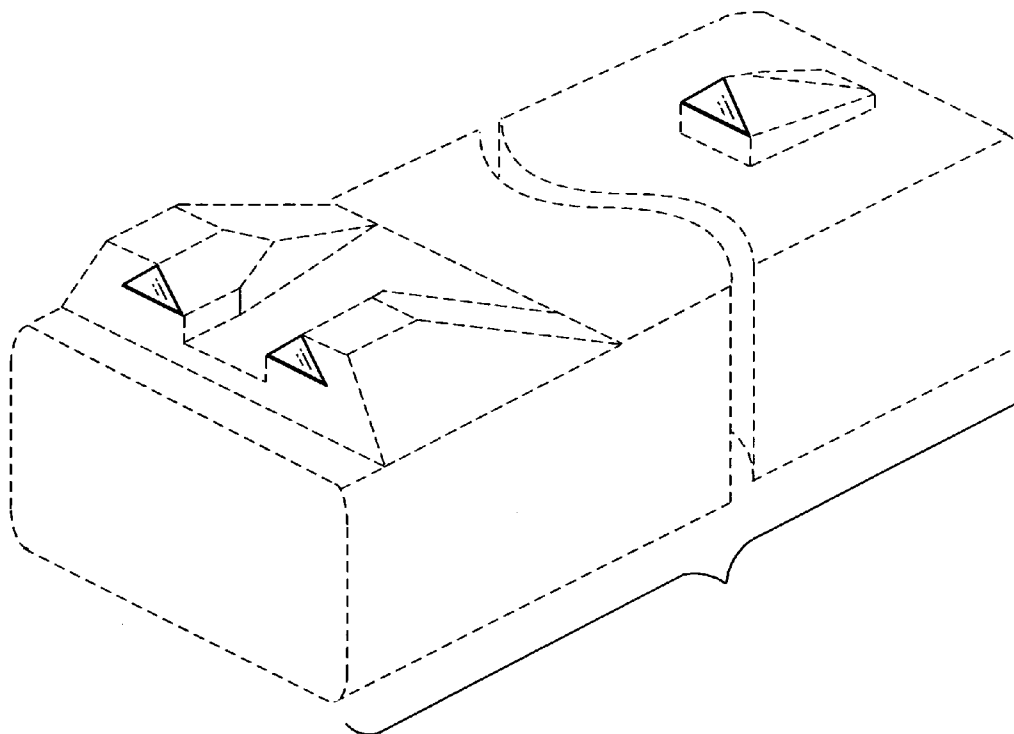
FIG. 1 is a right rear perspective view of a sight for use on
firearms showing my new design; and,

FIG. 2 is a rear perspective view thereof.

The broken lines are for purposes of illustration only and form
no part of the claimed design.

The portions of the design provided with surface shading
have been shaded to represent that the surface exhibits an area
of contrasting appearance relative to any surrounding struc-
tures.

1 Claim, 1 Drawing Sheet



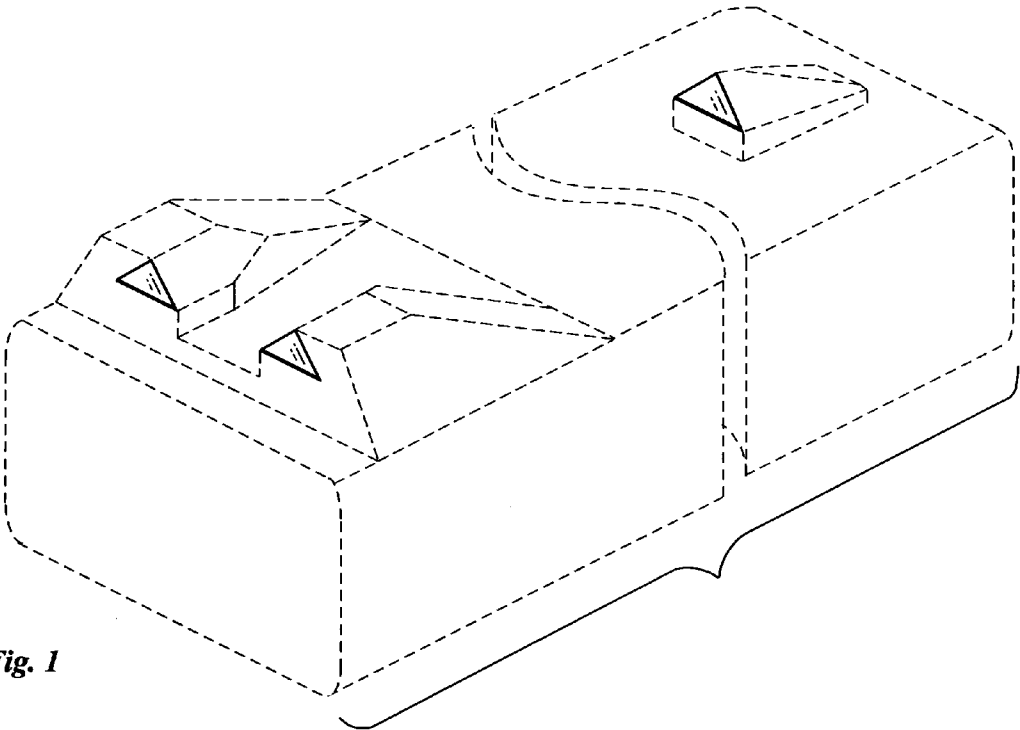


Fig. 1



Fig. 2