



US00D799052S

(12) **United States Design Patent**  
**Rossouw**

(10) **Patent No.:** **US D799,052 S**  
(45) **Date of Patent:** **\*\* Oct. 3, 2017**

- (54) **ORTHOTIC SUPPORT**
- (71) Applicant: **Medicinae (Pty) Ltd**, Durban (ZA)
- (72) Inventor: **Rachel Cornelia Rossouw**, Durban (ZA)
- (73) Assignee: **Medicinae (Pty) Ltd**, Pretoria (ZA)
- (\*\*) Term: **15 Years**
- (21) Appl. No.: **29/532,081**
- (22) Filed: **Jul. 1, 2015**

- D415,281 S 10/1999 Swedberg et al.
- D422,362 S 4/2000 Ames
- D424,698 S 5/2000 Ames
- D426,307 S 6/2000 Swedberg et al.
- D447,568 S 9/2001 Hall et al.
- 7,017,215 B1 3/2006 Singer et al.
- 7,441,293 B1 10/2008 Singer et al.

(Continued)

*Primary Examiner* — George D Kirschbaum  
*Assistant Examiner* — Jennifer Watkins  
(74) *Attorney, Agent, or Firm* — Alston & Bird LLP

(57) **CLAIM**

I claim the ornamental design for an orthotic support, as shown and described.

**DESCRIPTION**

FIG. 1 is a perspective view of an orthotic support showing my new design from the top, rear, and right side; FIG. 2 is a top, rear perspective view thereof; FIG. 3 is a top, front, right side perspective view thereof; FIG. 4 is a bottom perspective view thereof; FIG. 5 is a bottom, left side perspective view thereof; FIG. 6 is a bottom, front perspective view thereof; FIG. 7 is a top, rear perspective view thereof, shown in a situation of use; FIG. 8 is a top, front perspective view thereof, shown in another situation of use; FIG. 9 is a front elevation view thereof; FIG. 10 is a rear elevation view thereof; FIG. 11 is a left side elevation view thereof, the right side being a mirror image; FIG. 12 is a top plan view thereof; and, FIG. 13 is a bottom plan view thereof.

The broken lines in FIGS. 2,4,5,6,10 and 13 are for the purpose of illustrating portions of the orthotic support and form no part of the claim. The broken lines in FIG. 7 showing a bed and FIG. 8 showing a human form represent environment and form no part of the claim.

**1 Claim, 9 Drawing Sheets**

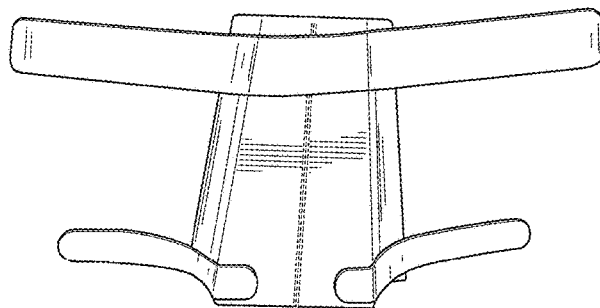
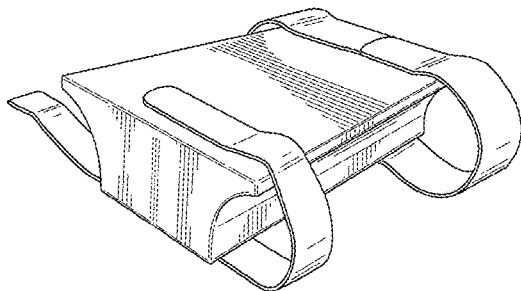
**Related U.S. Application Data**

- (63) Continuation of application No. 29/486,263, filed on Mar. 27, 2014, now Pat. No. Des. 733,897.
- (51) **LOC (10) Cl.** ..... **24-04**
- (52) **U.S. Cl.**  
USPC ..... **D24/190; D24/184**
- (58) **Field of Classification Search**  
USPC ..... D24/183, 184, 190  
CPC ..... A47G 9/10; A47C 20/021; A47C 20/023; A47C 16/00; A47C 20/026; A47C 20/027; A61G 7/0755; A61G 13/121; A61G 7/075; A61G 13/1235  
See application file for complete search history.

(56) **References Cited**

**U.S. PATENT DOCUMENTS**

- D212,085 S \* 8/1968 Fulkerson et al. .... D6/601
- D254,029 S \* 1/1980 Barbagallo ..... 5/636
- 4,270,235 A 6/1981 Gutmann
- D321,562 S 11/1991 Ljungvall
- D345,797 S 4/1994 Gardner
- D358,957 S \* 6/1995 Propp ..... D6/601
- D359,804 S 6/1995 Carter
- D362,072 S \* 9/1995 Sternberg ..... D24/190
- D387,167 S 12/1997 Klein
- D413,982 S 9/1999 Swedberg et al.



(56)

**References Cited**

## U.S. PATENT DOCUMENTS

D598,106	S	8/2009	Goumas	
D601,261	S	9/2009	Levan	
7,694,369	B2 *	4/2010	Hinders	..... A61G 13/12 5/613
D625,421	S	10/2010	Sharps et al.	
D642,280	S	7/2011	Goumas	
8,273,041	B2	9/2012	Goumas	
D670,941	S *	11/2012	Vernon	..... D6/716.4
D673,684	S *	1/2013	Piermarini	..... D24/183
D708,752	S *	7/2014	Oberst	..... D24/190
D728,799	S *	5/2015	Ravikumar	..... D24/184
D731,817	S *	6/2015	Rogers	..... D6/601
D733,897	S *	7/2015	Rossouw	..... D24/184
D736,391	S *	8/2015	Johnson	..... D24/184
D759,825	S *	6/2016	Johnson	..... D24/184
2003/0014820	A1	1/2003	Fuhriman	

\* cited by examiner

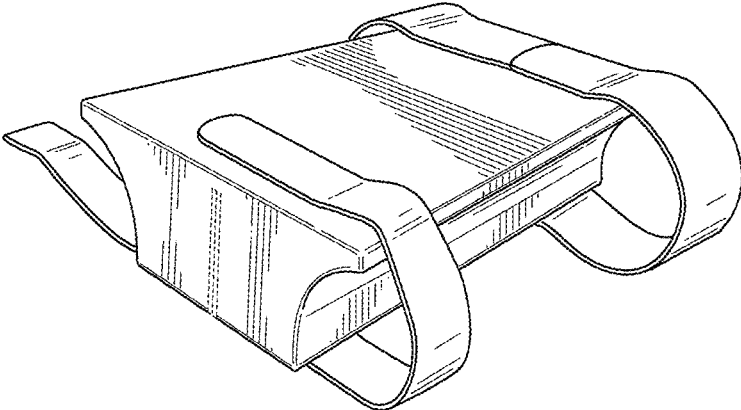


FIG. 1

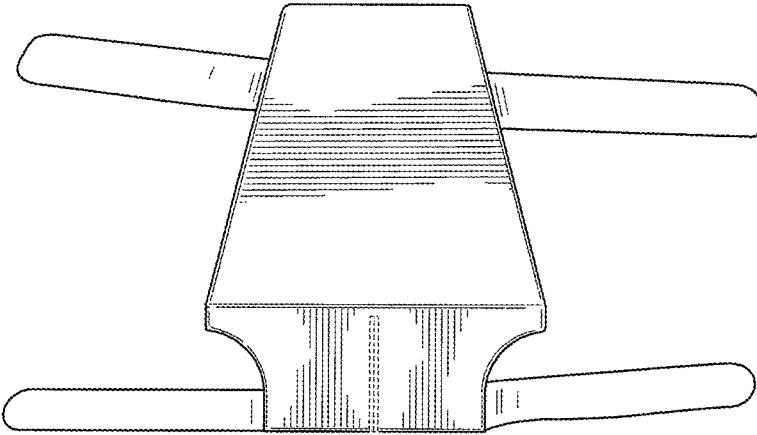


FIG. 2

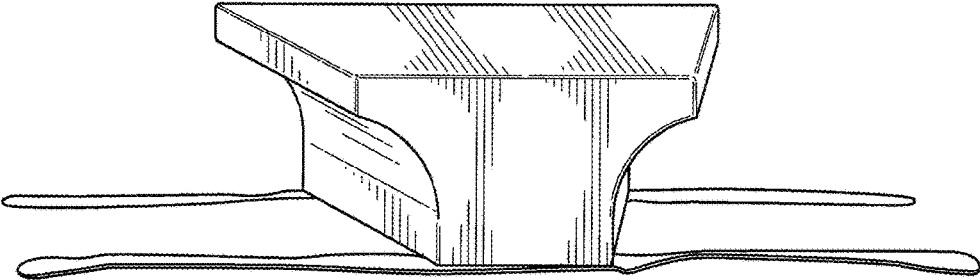


FIG. 3

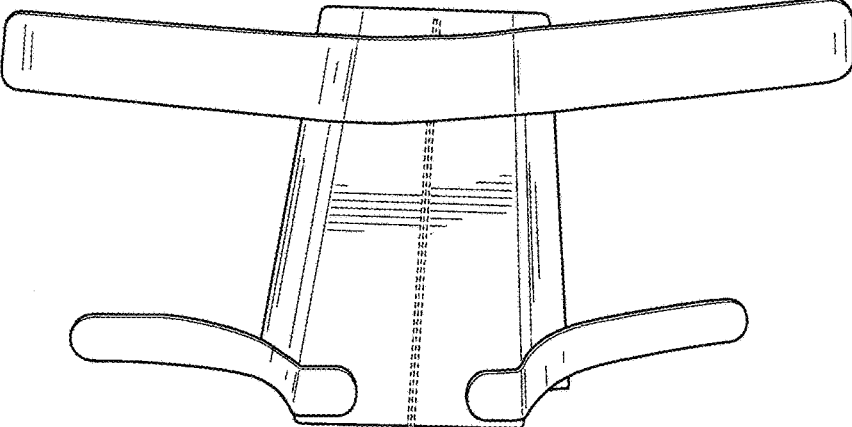


FIG. 4

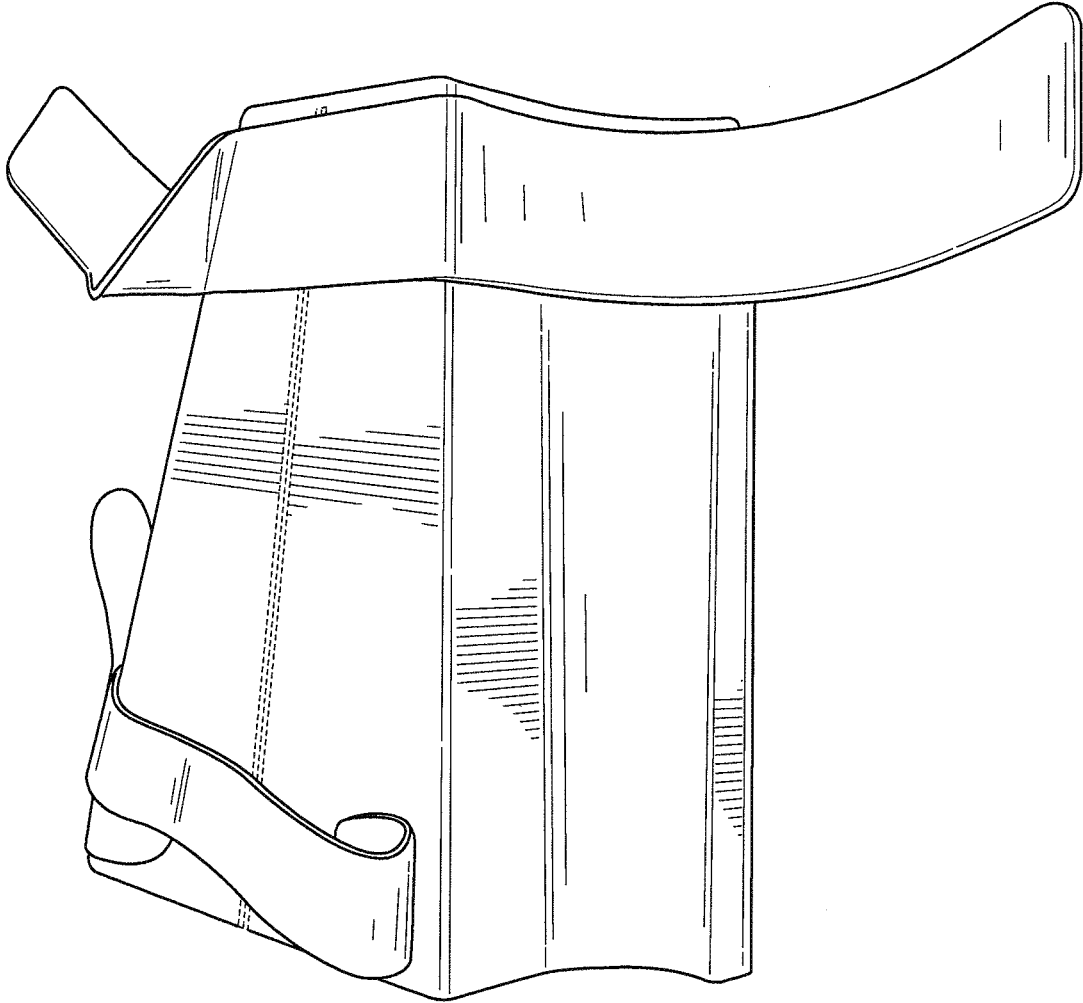


FIG. 5

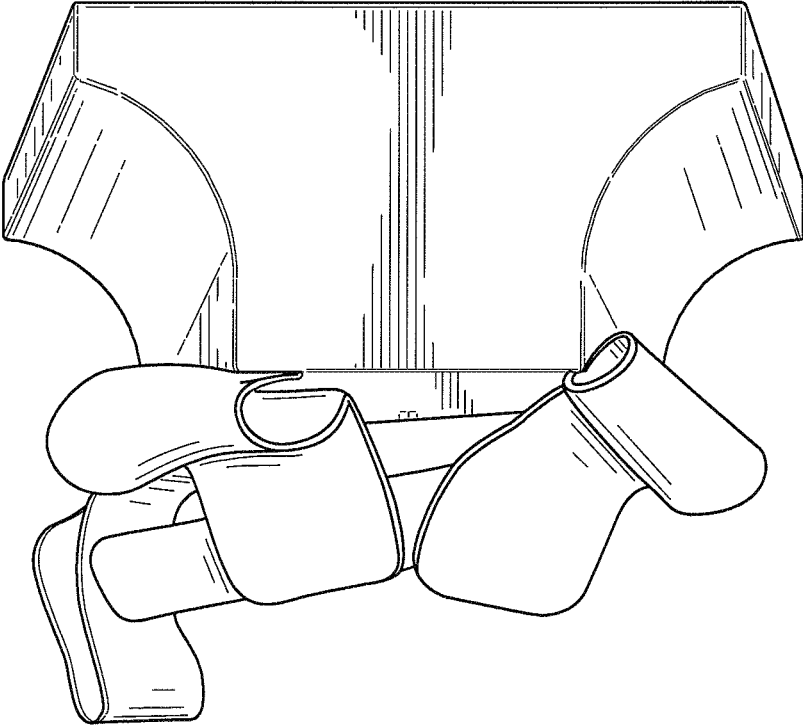


FIG. 6

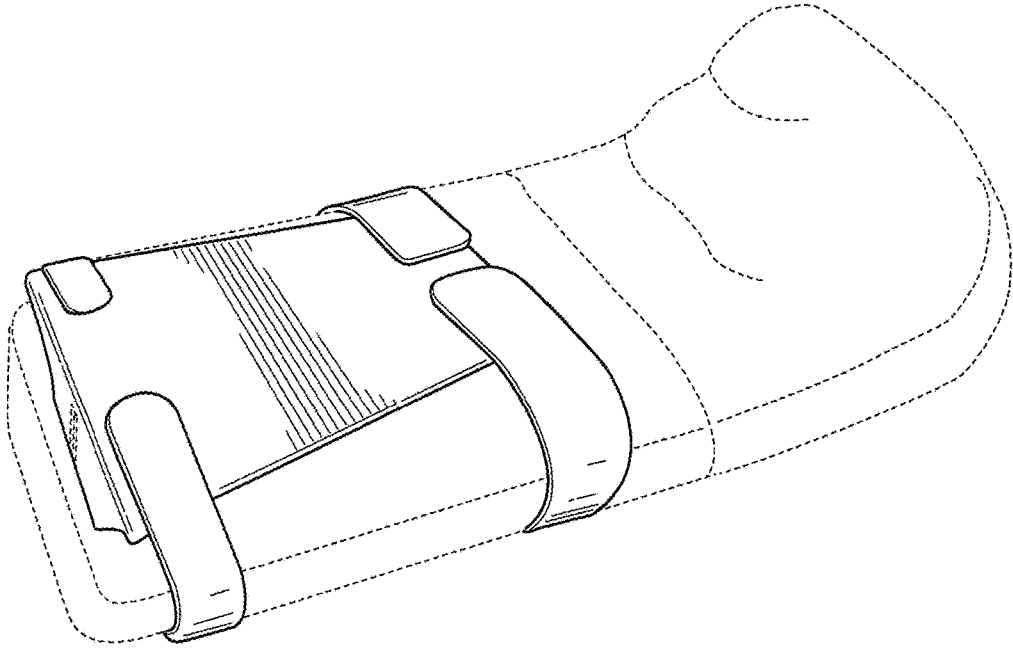


FIG. 7

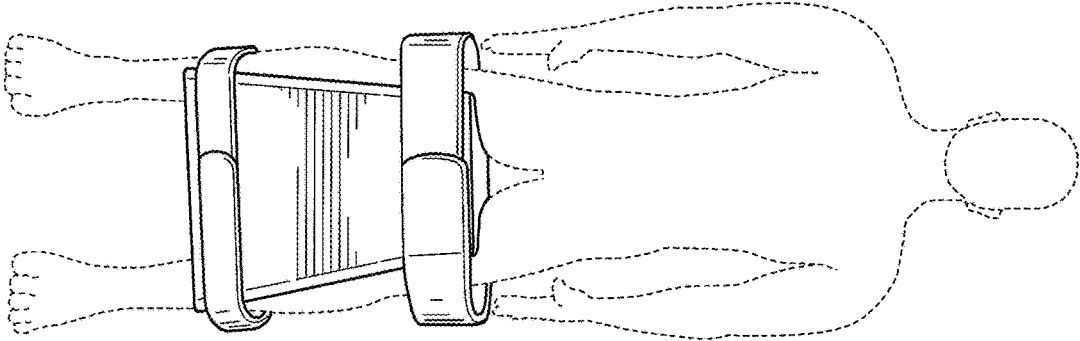


FIG. 8

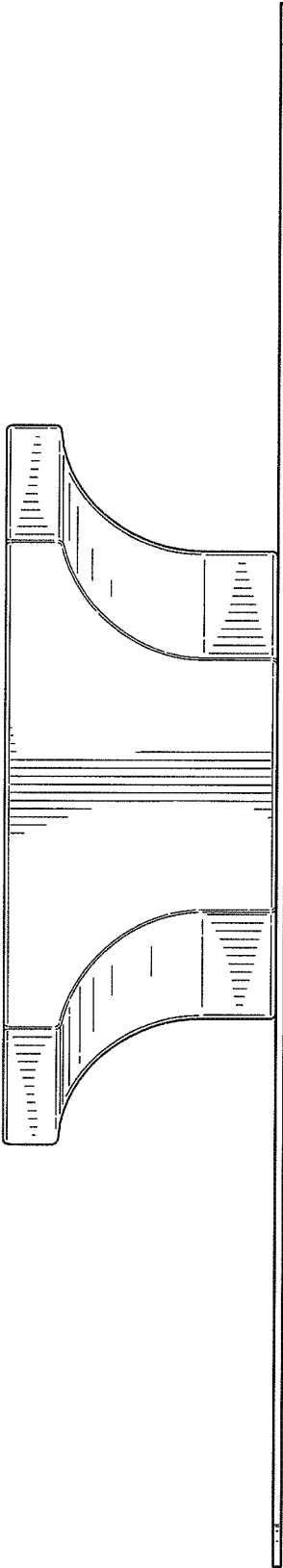


FIG. 9

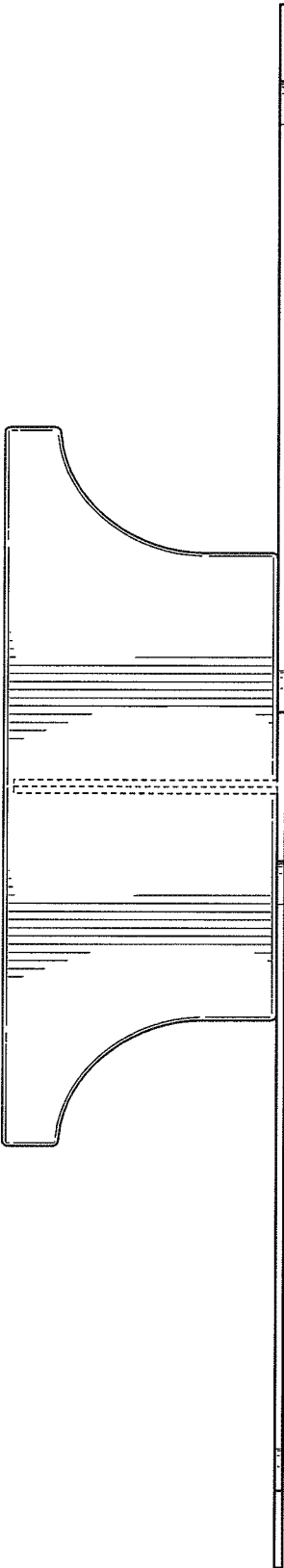
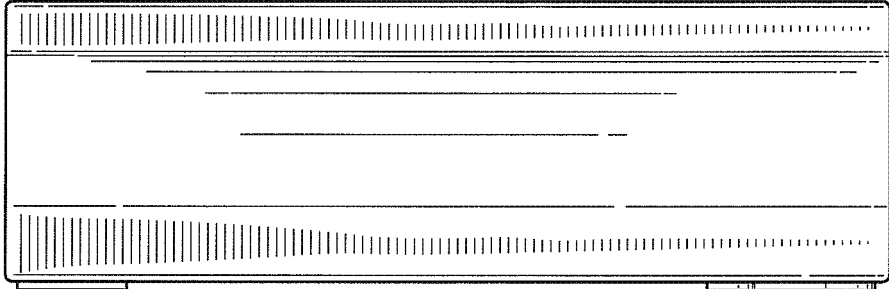


FIG. 10





**FIG. 11**

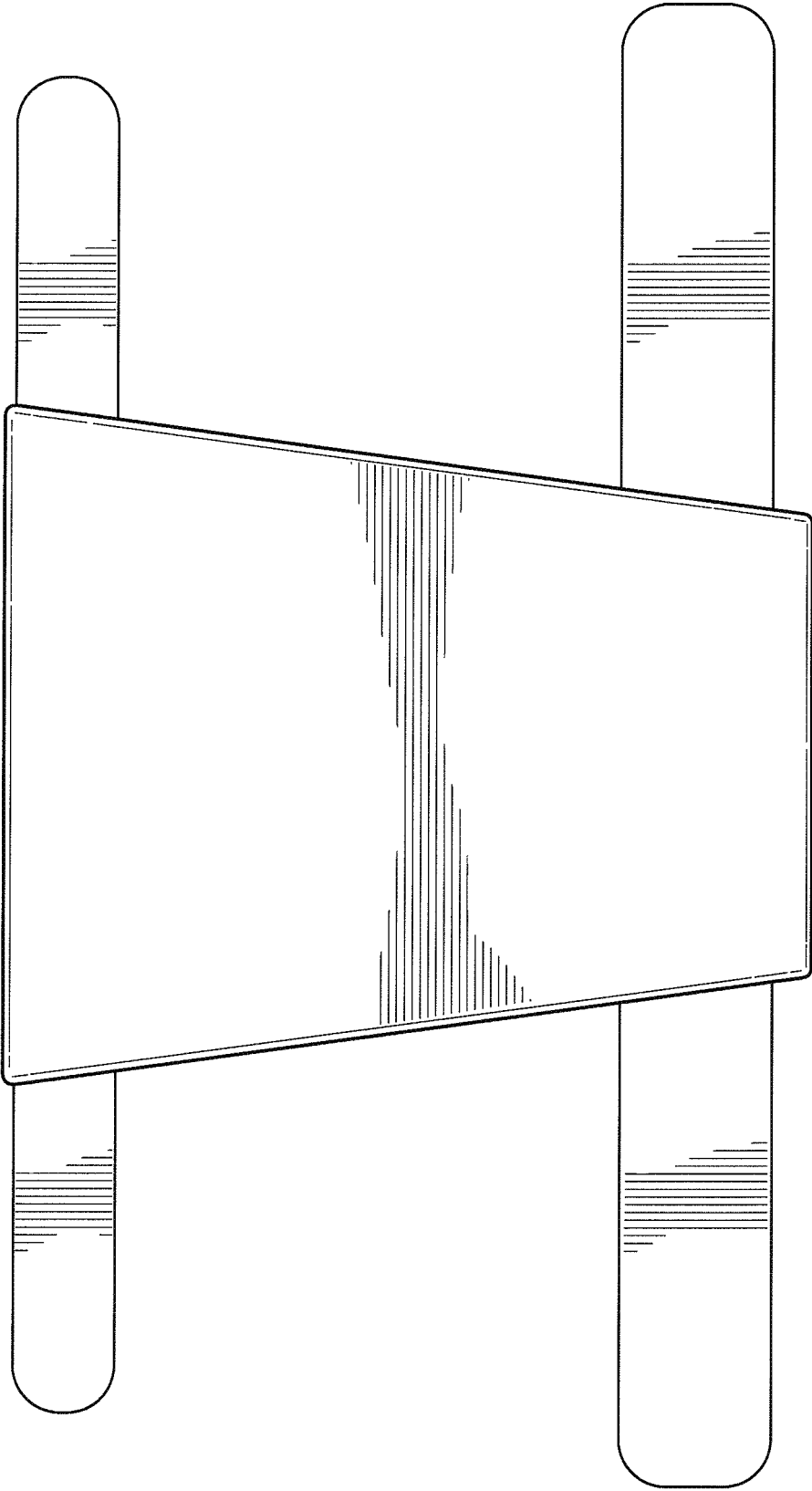


FIG. 12

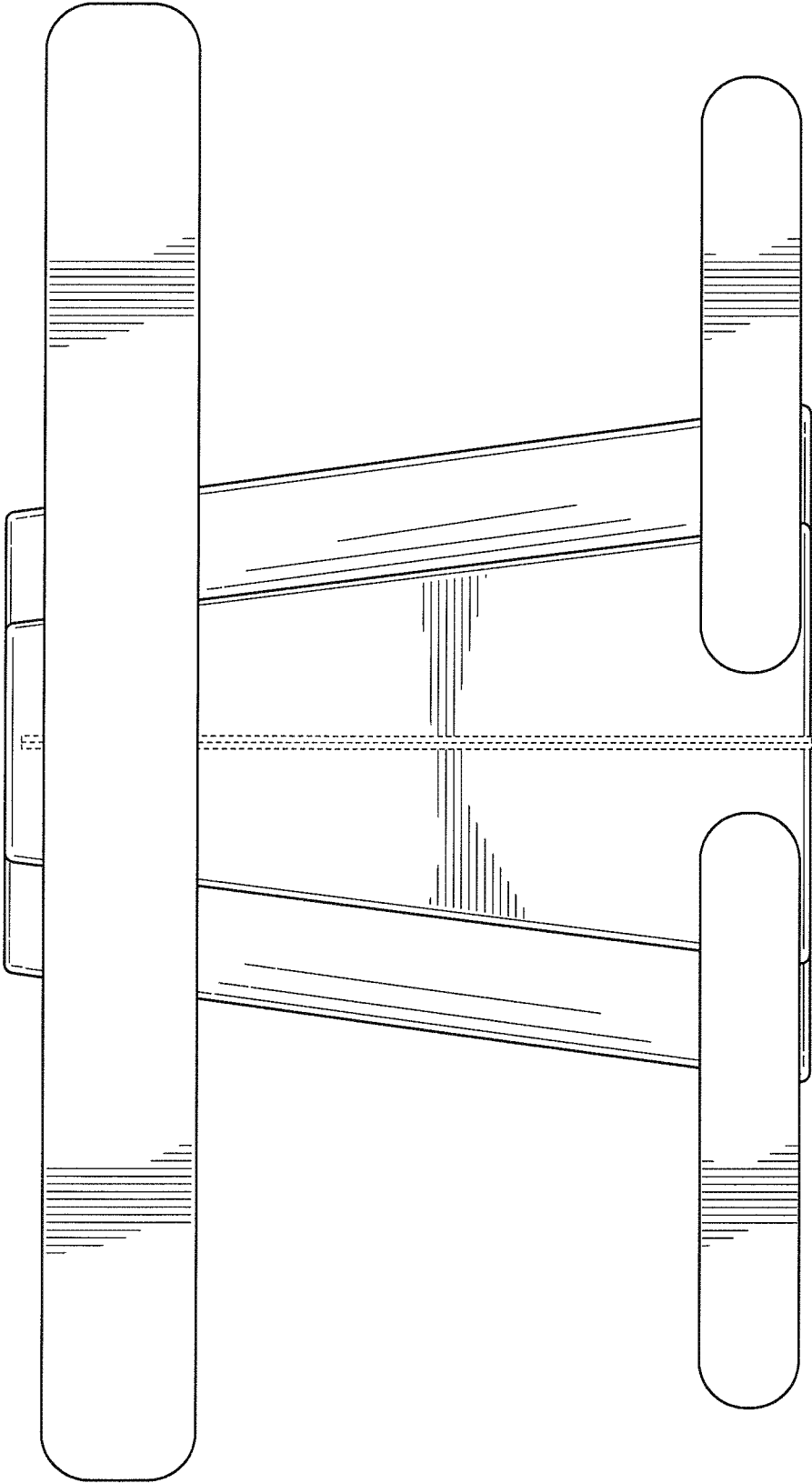


FIG. 13