



(12) **United States Design Patent**
Hoekstra et al.

(10) **Patent No.:** **US D842,088 S**
(45) **Date of Patent:** **** Mar. 5, 2019**

- (54) **PACKAGE**
- (71) Applicant: **Huhtamäki Oyj**, Espoo (FI)
- (72) Inventors: **Aad Hoekstra**, ae Zutphen (NL);
Stephen Knipe, Hayling Island (GB)
- (73) Assignee: **HUHTAMÄKI OYJ**, Espoo (FI)
- (**) Term: **15 Years**
- (21) Appl. No.: **29/629,993**
- (22) Filed: **Dec. 18, 2017**

Related U.S. Application Data

- (62) Division of application No. 29/567,848, filed on Jun. 13, 2016, now Pat. No. Des. 814,916.

Foreign Application Priority Data

Dec. 11, 2015 (FI) M20150136

- (51) **LOC (11) Cl.** **09-03**
- (52) **U.S. Cl.**
USPC **D9/414**

(58) **Field of Classification Search**

USPC D9/414, 415, 418, 428, 432, 433, 457,
D9/702, 703, 705, 707, 715, 722; D19/1,
D19/3, 26, 27, 101; 229/68.1, 87.08,
229/87.11, 87.5; 383/26, 38, 42-99, 127
CPC ... B65D 1/00; B65D 7/00; B65D 9/00; B65D
11/00; B65D 13/00; B65D 15/00; B65D
75/00; B42F 1/00

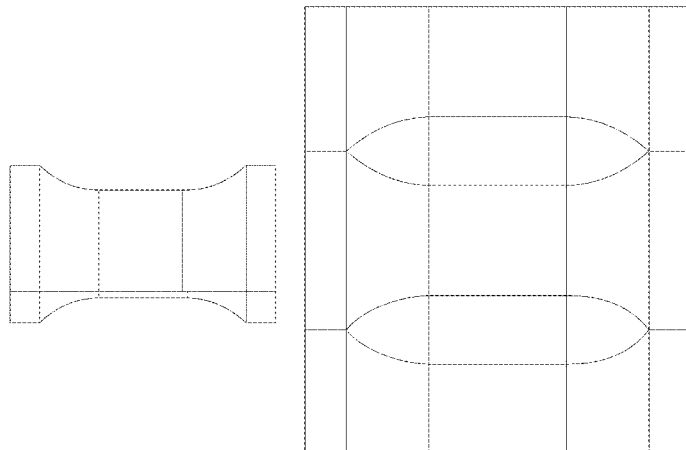
See application file for complete search history.

(56) **References Cited**

U.S. PATENT DOCUMENTS

3,979,051 A 9/1976 Close
4,575,000 A 3/1986 Gordon et al.
5,094,385 A 3/1992 Antczak et al.
5,358,174 A 10/1994 Antczak et al.
D377,946 S 2/1997 French et al.
D392,564 S 3/1998 Silver
D401,274 S 11/1998 Sils et al.

D422,210 S 4/2000 Sturkie et al.
D439,513 S * 3/2001 Teasdale D9/415
D452,147 S 12/2001 Patel et al.
D458,120 S 6/2002 Knoerzer
D462,007 S 8/2002 Spinoy
D468,196 S 1/2003 Graham
D470,755 S 2/2003 Espinel et al.
D470,756 S 2/2003 Espinel et al.
D470,757 S 2/2003 Espinel et al.
D486,730 S 2/2004 Rasmussen
D492,594 S 7/2004 Nash
D531,021 S 10/2006 Ashby et al.
D531,494 S 11/2006 Papiri
D541,647 S 5/2007 Ashby et al.
D543,102 S 5/2007 Ashby et al.
D545,216 S 6/2007 O'Keefe et al.
D586,389 S 2/2009 Schaaf
D601,038 S * 9/2009 Middleton-Schluter D9/709
D617,654 S 6/2010 Tawinsook
D628,059 S 11/2010 Perkins-Stanaford et al.
D643,745 S 8/2011 Hartley
7,988,359 B1 * 8/2011 Sussman B65D 33/2591
383/10
D9/710
D646,182 S * 10/2011 Clark D9/710
D656,841 S * 4/2012 Echavarria D9/709
D684,468 S 6/2013 Macaulay et al.
D694,647 S 12/2013 Hermes et al.
D703,547 S 4/2014 France et al.
D720,214 S 12/2014 De Pietri Tonelli et al.
D724,441 S 3/2015 Fukuda
D730,195 S 5/2015 Gonlag
D740,688 S 10/2015 Otsuka et al.
D744,851 S 12/2015 Monforton et al.
D752,432 S 3/2016 Brown
D757,534 S 5/2016 Matsuura
D764,933 S 8/2016 Latshaw
D764,934 S 8/2016 Latshaw
D764,935 S 8/2016 Latshaw
D769,730 S 10/2016 Andrus
D777,975 S * 1/2017 Rushforth D27/100
D787,311 S 5/2017 Chang
D790,360 S 6/2017 Down et al.
D793,244 S 8/2017 Shifflett
D793,245 S 8/2017 Cobler
D793,246 S 8/2017 Cobler
D793,247 S 8/2017 Cobler
D793,248 S 8/2017 Cobler
D793,249 S 8/2017 Cobler
D794,446 S * 8/2017 Greenberg D9/432
D801,828 S * 11/2017 Persson D9/707
D802,412 S * 11/2017 Cataudella D9/415
D803,041 S * 11/2017 Patterson D9/415
D804,959 S * 12/2017 Anda D9/705



D809,932	S	*	2/2018	Bruggink	D9/722
D812,490	S	*	3/2018	Wigman	D9/703
D814,563	S	*	4/2018	Bartos	D19/3
D814,916	S	*	4/2018	Hoekstra	D9/414
D819,452	S	*	6/2018	Chang	D9/707
D828,869	S	*	9/2018	Bell	D19/3
D831,499	S	*	10/2018	Hardy	D9/707

FOREIGN PATENT DOCUMENTS

DE	10121899	A1	11/2002
GB	1033661	A	6/1966
GB	2229710	A	10/1990
GB	2342343	A	4/2000
WO	02087979	A2	11/2002

* cited by examiner

Primary Examiner — Wan Laymon

Assistant Examiner — Clint A Samuel

(74) *Attorney, Agent, or Firm* — Husch Blackwell LLP

(57) **CLAIM**

The ornamental design for a package, as shown and described.

DESCRIPTION

FIG. 1 is a top plan view of a package showing a first embodiment of the new design;
 FIG. 2 is a bottom plan view of the package shown in FIG. 1;
 FIG. 3 is a front elevation view of the package shown in FIG. 1;
 FIG. 4 is a rear elevation view of the package shown in FIG. 1;
 FIG. 5 is a right side view of the package shown in FIG. 1;
 FIG. 6 is a left side view of the package shown in FIG. 1;
 FIG. 7 is a top perspective view of the package shown in FIG. 1;
 FIG. 8 is a top perspective view of the package shown in FIG. 1;
 FIG. 9 is a top perspective view of the package shown in FIG. 1;
 FIG. 10 is a bottom perspective view of the package shown in FIG. 1;
 FIG. 11 is a bottom perspective view of the package shown in FIG. 1;
 FIG. 12 is a bottom perspective view of the package shown in FIG. 1;
 FIG. 13 is a top plan view of the package shown in FIG. 1 illustrating the package in an unfolded orientation;
 FIG. 14 is a top plan view of a package showing a second embodiment of the new design;
 FIG. 15 is a bottom plan view of the package shown in FIG. 14;
 FIG. 16 is a front elevation view of the package shown in FIG. 14;
 FIG. 17 is a rear elevation view of the package shown in FIG. 14;
 FIG. 18 is a right side view of the package shown in FIG. 14;
 FIG. 19 is a left side view of the package shown in FIG. 14;
 FIG. 20 is a top perspective view of the package shown in FIG. 14;

FIG. 21 is a top perspective view of the package shown in FIG. 14;
 FIG. 22 is a top perspective view of the package shown in FIG. 14;
 FIG. 23 is a bottom perspective view of the package shown in FIG. 14;
 FIG. 24 is a bottom perspective view of the package shown in FIG. 14;
 FIG. 25 is a bottom perspective view of the package shown in FIG. 14;
 FIG. 26 is a top plan view of the package shown in FIG. 14 illustrating the package in an unfolded orientation;
 FIG. 27 is a top plan view of a package showing a third embodiment of the new design;
 FIG. 28 is a bottom plan view of the package shown in FIG. 27;
 FIG. 29 is a front elevation view of the package shown in FIG. 27;
 FIG. 30 is a rear elevation view of the package shown in FIG. 27;
 FIG. 31 is a right side view of the package shown in FIG. 27;
 FIG. 32 is a left side view of the package shown in FIG. 27;
 FIG. 33 is a top perspective view of the package shown in FIG. 27;
 FIG. 34 is a top perspective view of the package shown in FIG. 27;
 FIG. 35 is a top perspective view of the package shown in FIG. 27;
 FIG. 36 is a bottom perspective view of the package shown in FIG. 27;
 FIG. 37 is a bottom perspective view of the package shown in FIG. 27;
 FIG. 38 is a bottom perspective view of the package shown in FIG. 27;
 FIG. 39 is a top plan view of the package shown in FIG. 27 illustrating the package in an unfolded orientation;
 FIG. 40 is a top plan view of a package showing a fourth embodiment of the new design;
 FIG. 41 is a bottom plan view of the package shown in FIG. 40;
 FIG. 42 is a front elevation view of the package shown in FIG. 40;
 FIG. 43 is a rear elevation view of the package shown in FIG. 40;
 FIG. 44 is a right side view of the package shown in FIG. 40;
 FIG. 45 is a left side view of the package shown in FIG. 40;
 FIG. 46 is a top perspective view of the package shown in FIG. 40;
 FIG. 47 is a top perspective view of the package shown in FIG. 40;
 FIG. 48 is a top perspective view of the package shown in FIG. 40;
 FIG. 49 is a bottom perspective view of the package shown in FIG. 40;
 FIG. 50 is a bottom perspective view of the package shown in FIG. 40;
 FIG. 51 is a bottom perspective view of the package shown in FIG. 40; and,
 FIG. 52 is a top plan view of the package shown in FIG. 40 illustrating the package in an unfolded orientation.

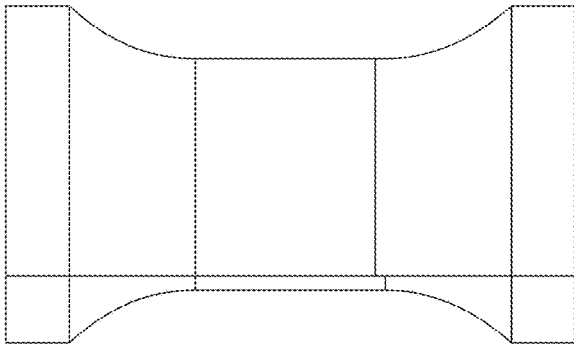


FIG. 1

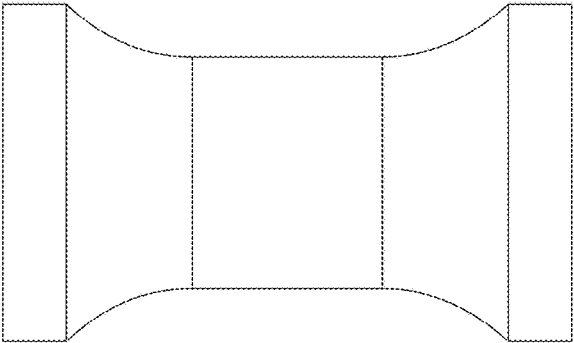


FIG. 2



FIG. 3



FIG. 4

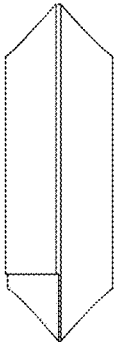


FIG. 5

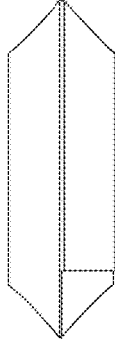


FIG. 6

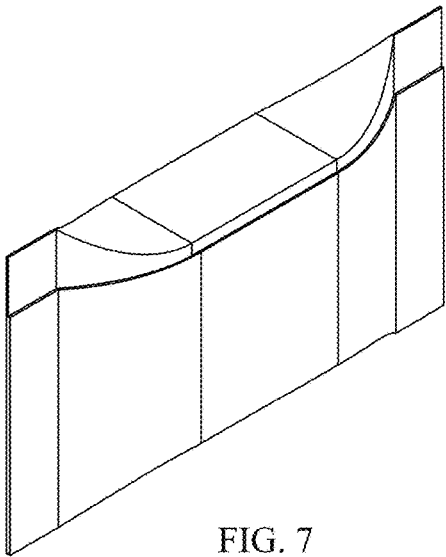


FIG. 7

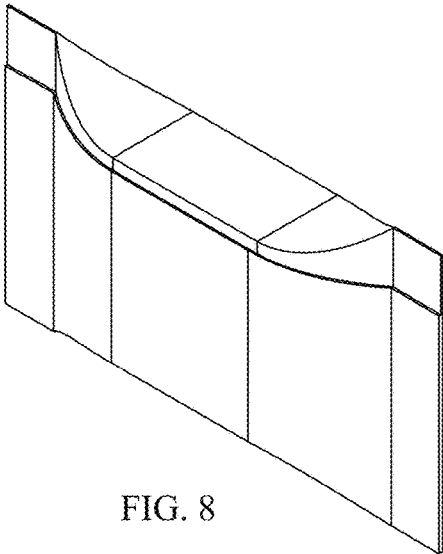


FIG. 8

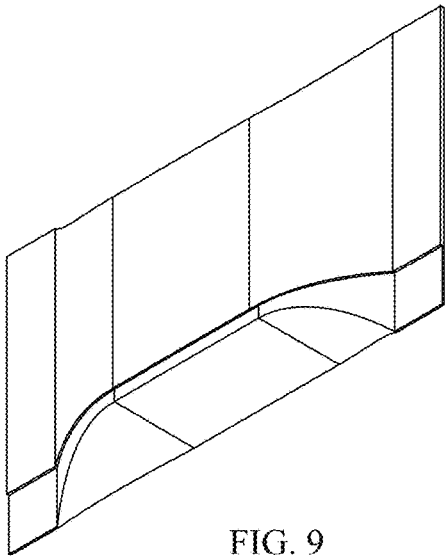


FIG. 9

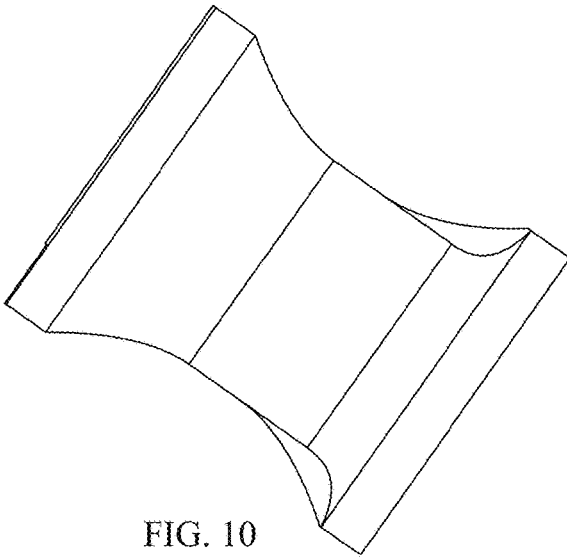


FIG. 10

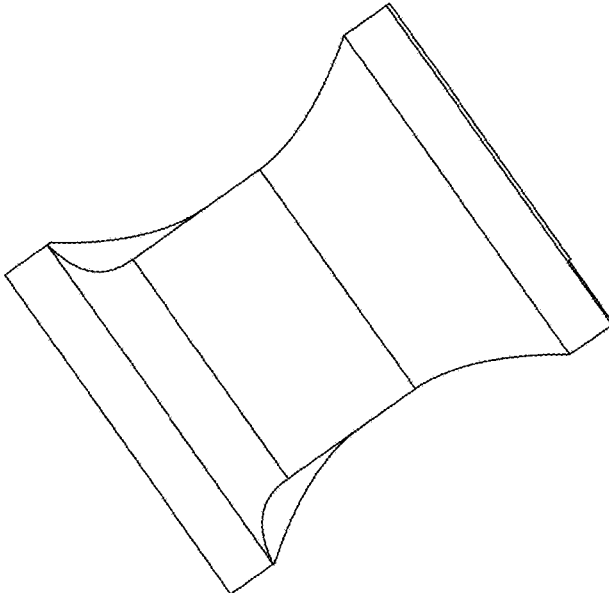


FIG. 11

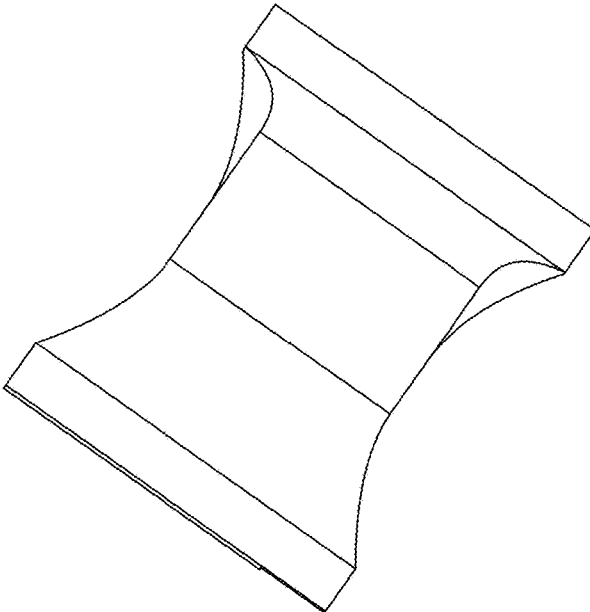


FIG. 12

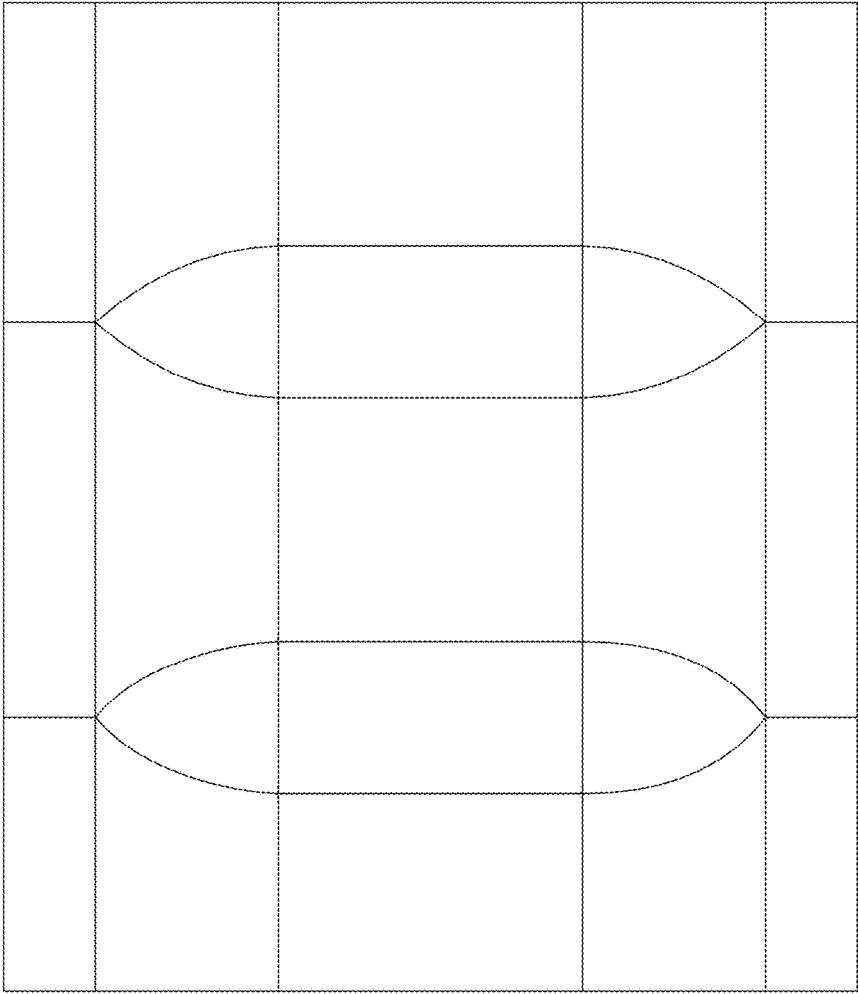


FIG. 13

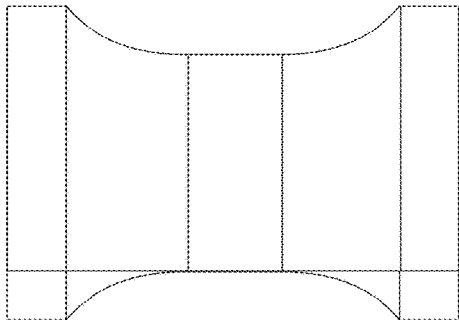


FIG. 14

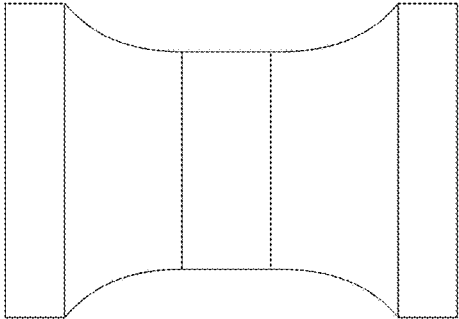


FIG. 15

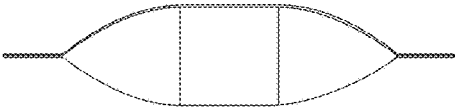


FIG. 16

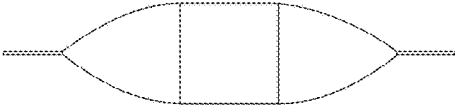


FIG. 17

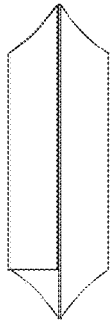


FIG. 18

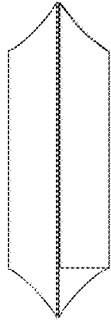


FIG. 19

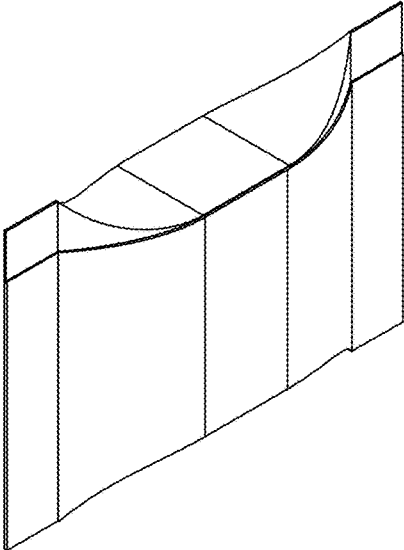


FIG. 20

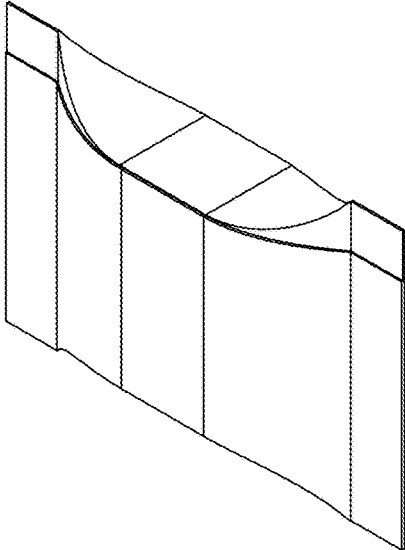


FIG. 21

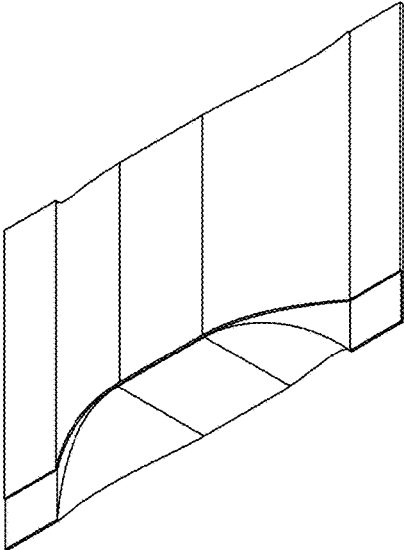


FIG. 22

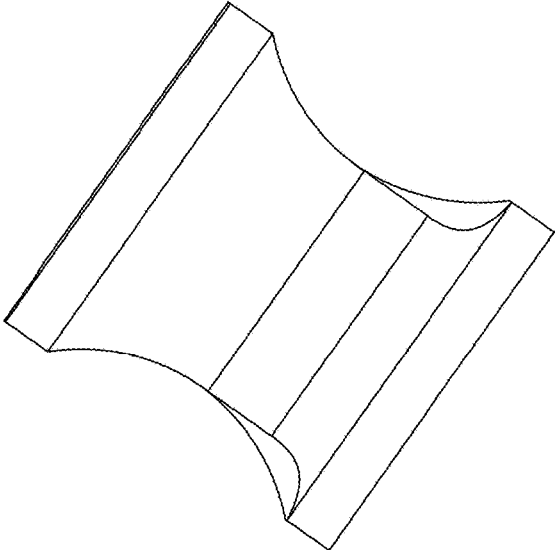


FIG. 23

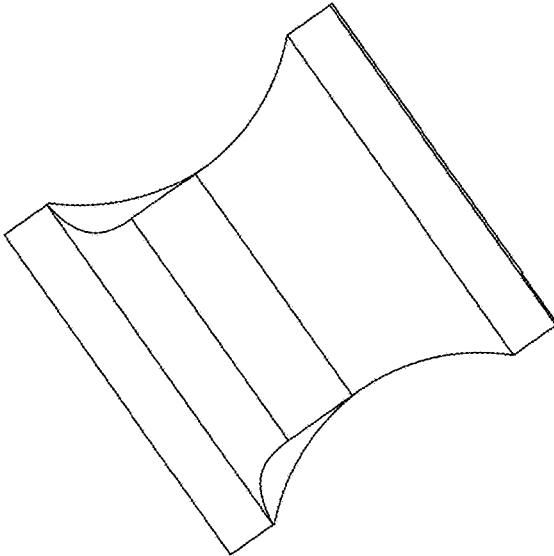


FIG. 24

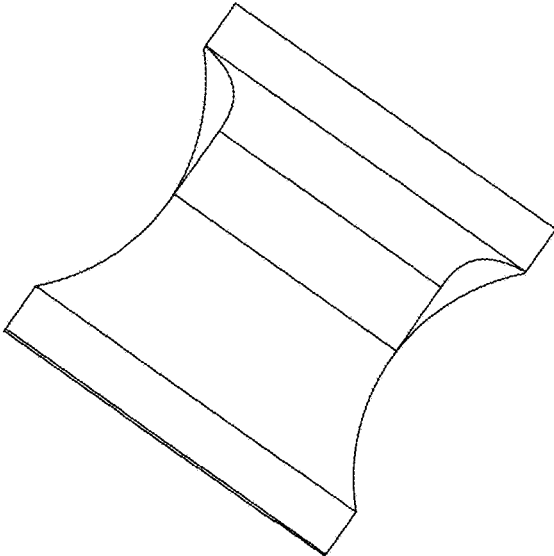


FIG. 25

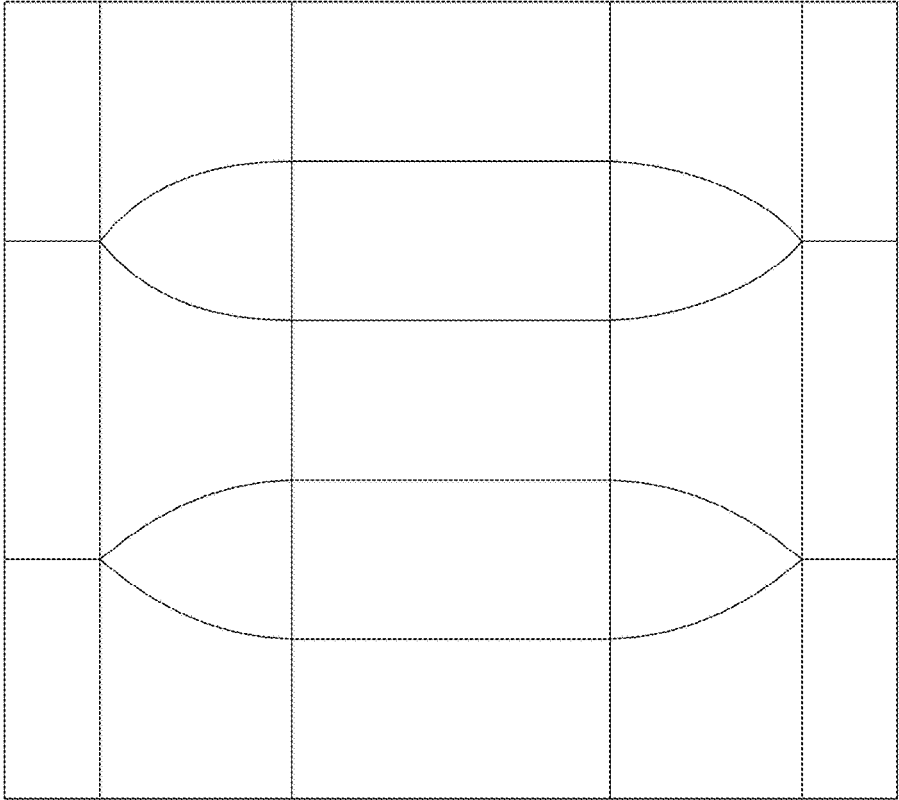


FIG. 26

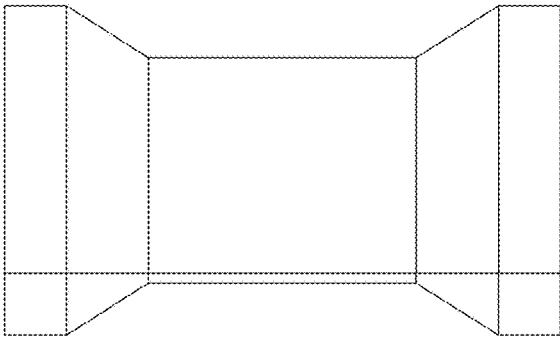


FIG. 27

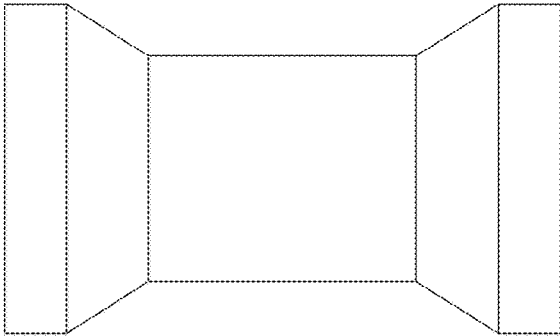


FIG. 28



FIG. 29



FIG. 30

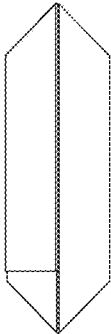


FIG. 31

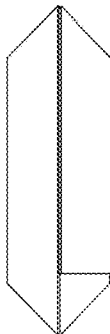


FIG. 32

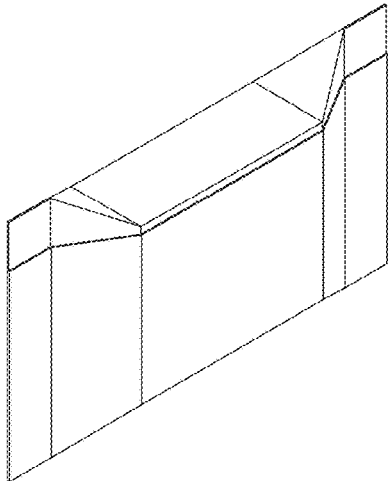


FIG. 33

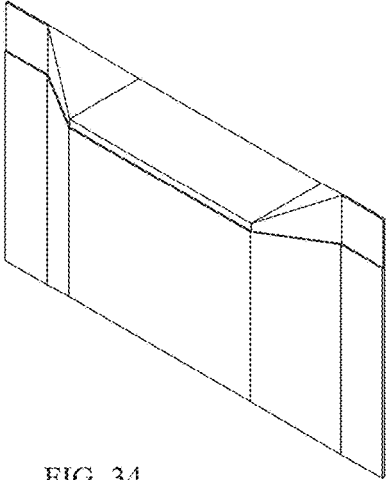


FIG. 34

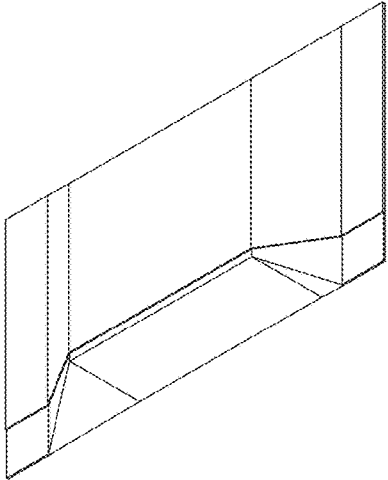


FIG. 35

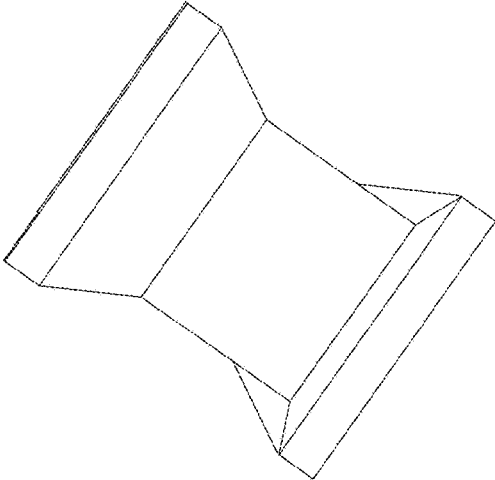


FIG. 36

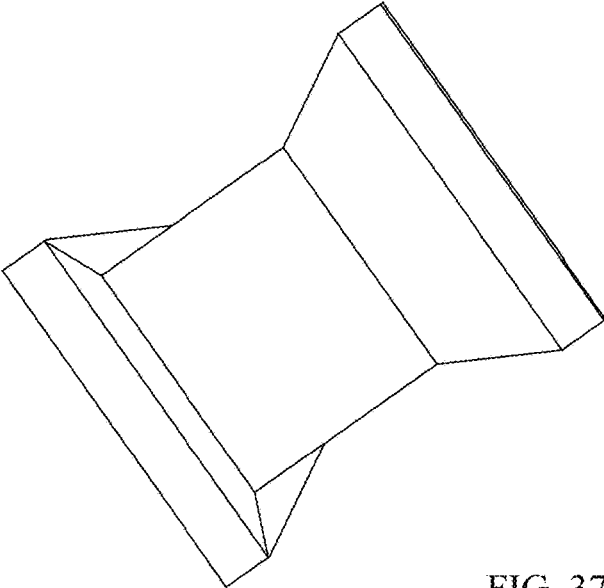


FIG. 37

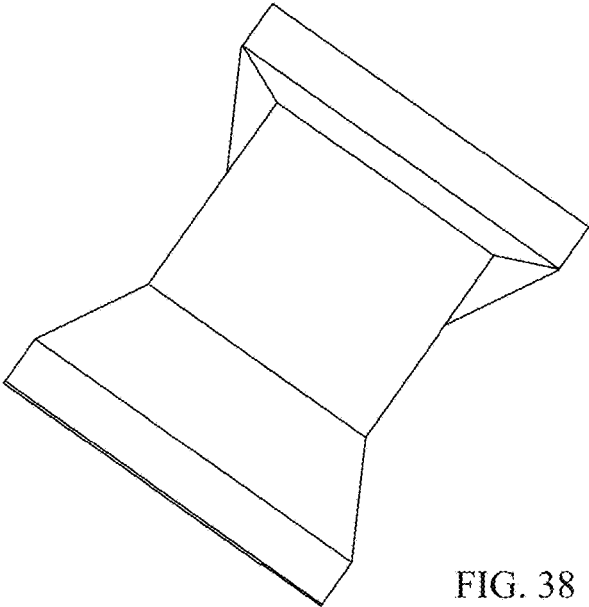


FIG. 38

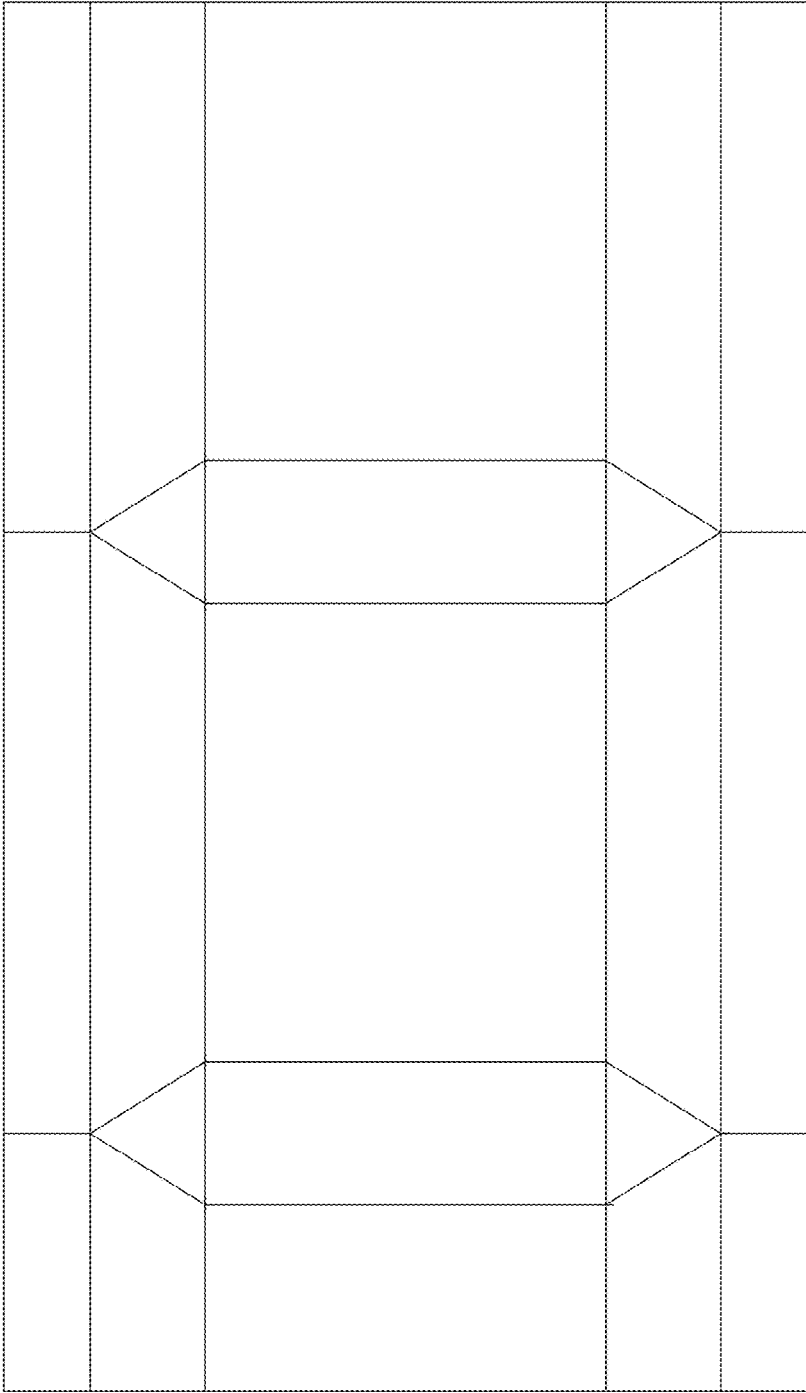


FIG. 39

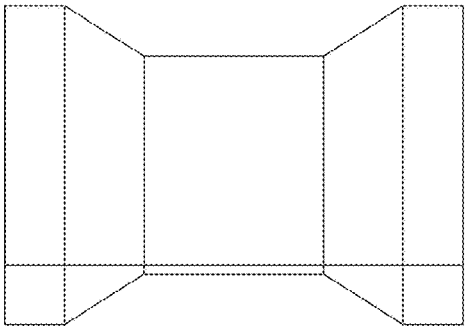


FIG. 40

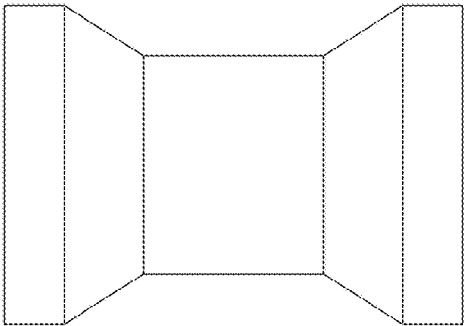


FIG. 41



FIG. 42



FIG. 43

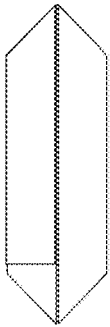


FIG. 44

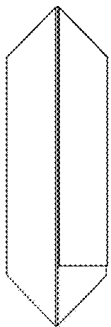


FIG. 45

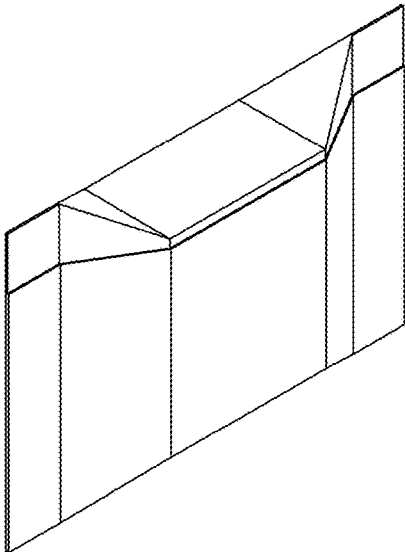


FIG. 46

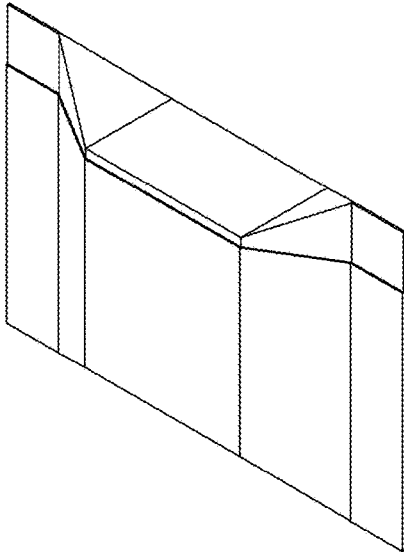


FIG. 47

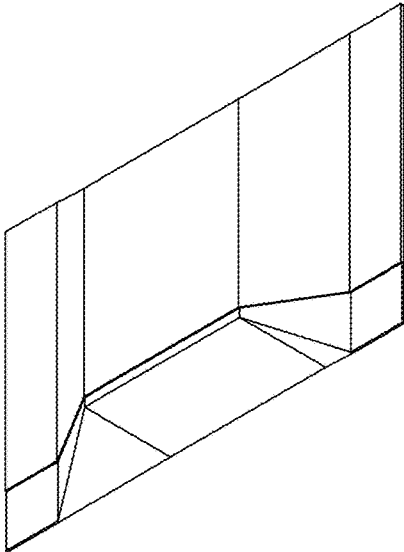


FIG. 48

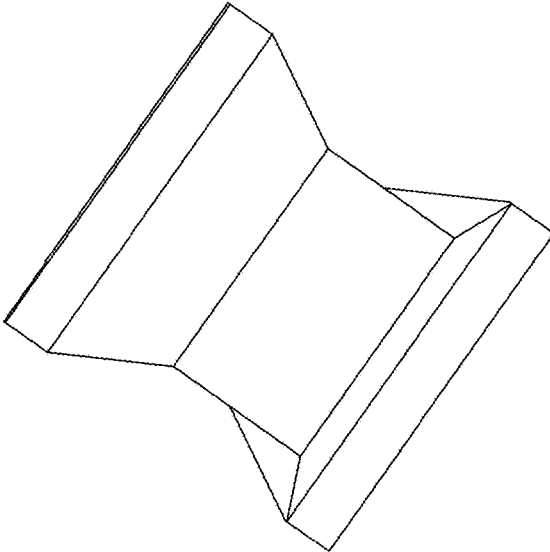


FIG. 49

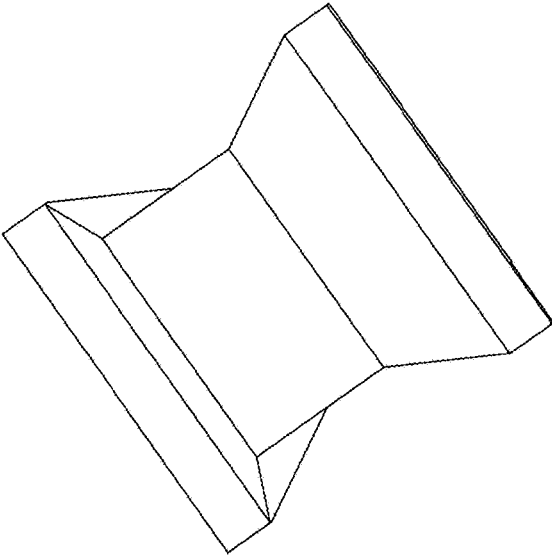


FIG. 50

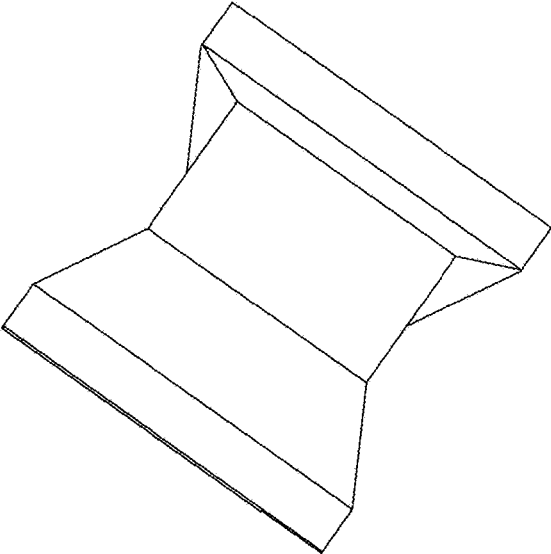


FIG. 51

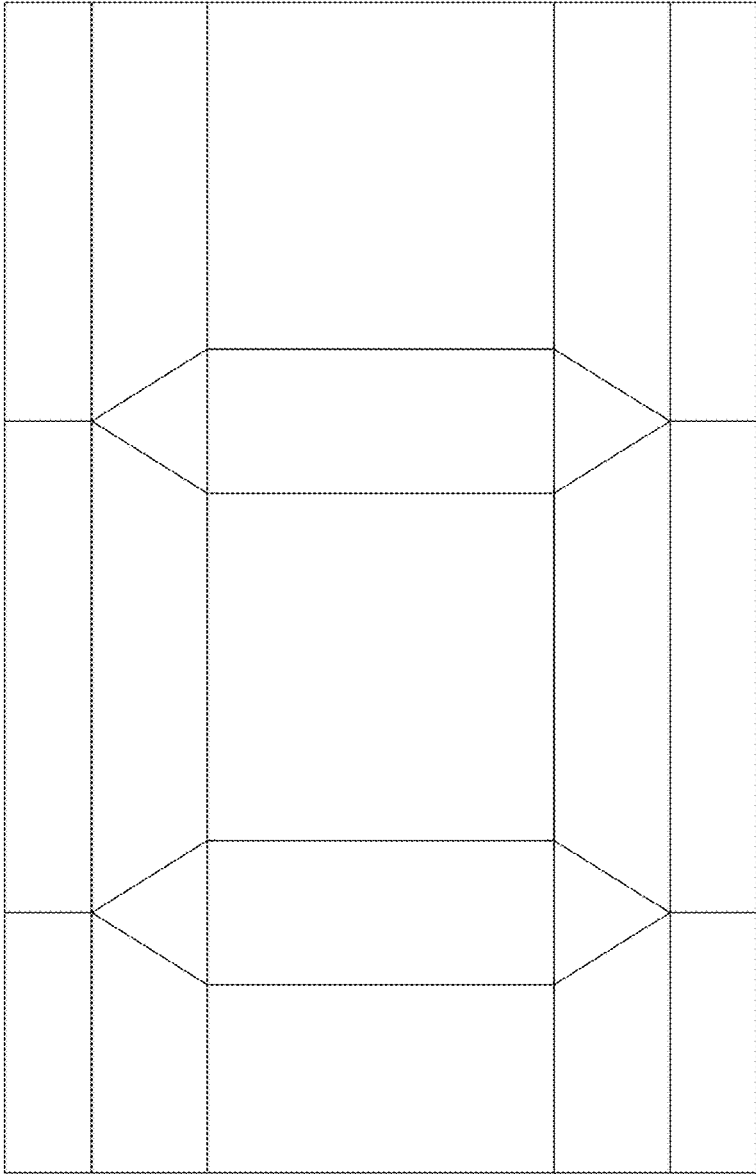


FIG. 52