



US00D412153S

United States Patent [19]
Chen

[11] **Patent Number: Des. 412,153**
[45] **Date of Patent: ** Jul. 20, 1999**

[54] **BATTERY**

D. 346,584 5/1994 Taniguchi D13/103 X
D. 373,755 9/1996 Chen D13/103

[76] Inventor: **Lao-Chen Chen**, No. 10, Lane 441,
Chung-Shan Rd., Jen-Te Hsiang, Tainan
Hsien, Taiwan

Primary Examiner—Joel Sincavage
Attorney, Agent, or Firm—Trop, Pruner, Hu & Miles, P.C.

[**] Term: **14 Years**

[57] **CLAIM**

[21] Appl. No.: **29/093,966**

The ornamental design for battery, as shown and described.

[22] Filed: **Sep. 21, 1998**

DESCRIPTION

Related U.S. Application Data

FIG. 1 is a perspective view of battery showing my new design;

[51] **LOC (6) Cl.** **13-02**

FIG. 2 is a front elevational view thereof;

[52] **U.S. Cl.** **D13/103**

FIG. 3 is a rear elevational view thereof;

[58] **Field of Search** D13/103, 104;
429/96-100, 163, 176

FIG. 4 is a left side elevational view thereof;

FIG. 5 is a right side elevational view thereof;

FIG. 6 is a top plan view thereof; and,

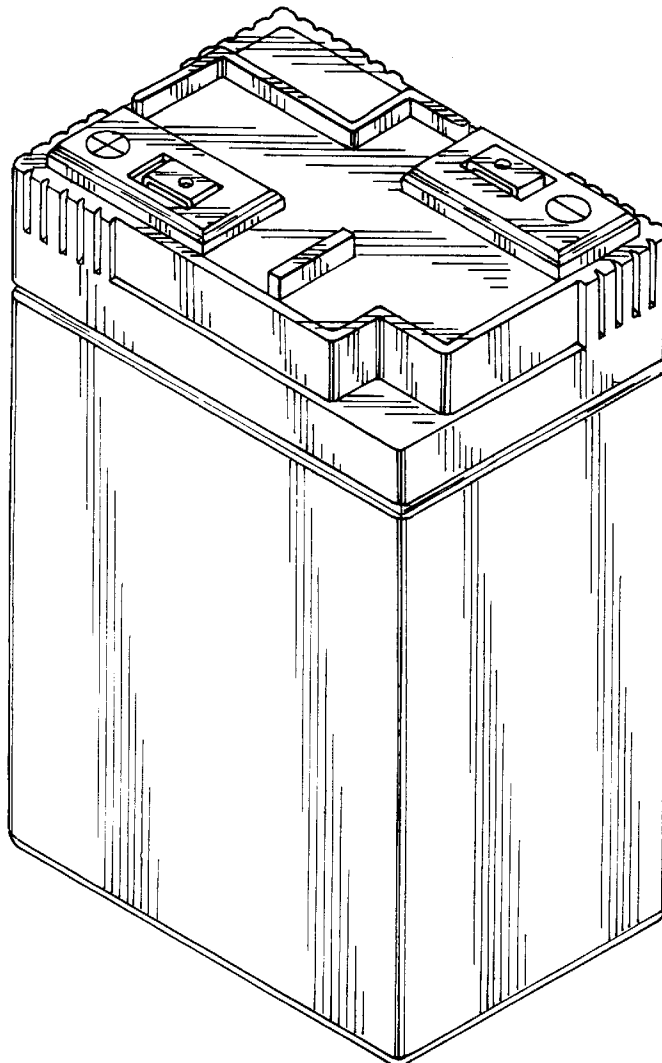
FIG. 7 is a bottom plan view thereof.

[56] **References Cited**

U.S. PATENT DOCUMENTS

D. 310,821 9/1990 Hulsebus et al. D13/104

1 Claim, 4 Drawing Sheets



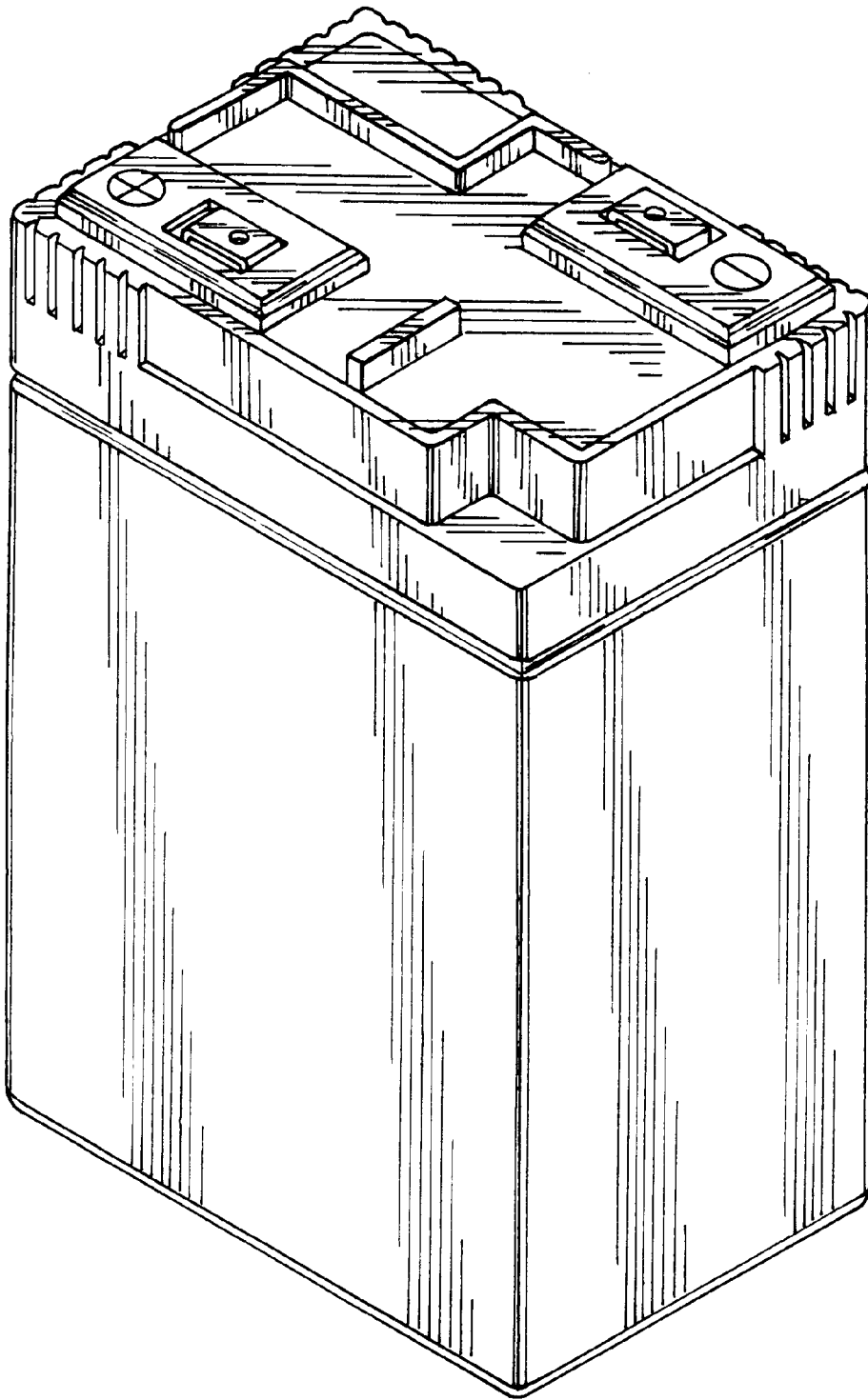


FIG.1

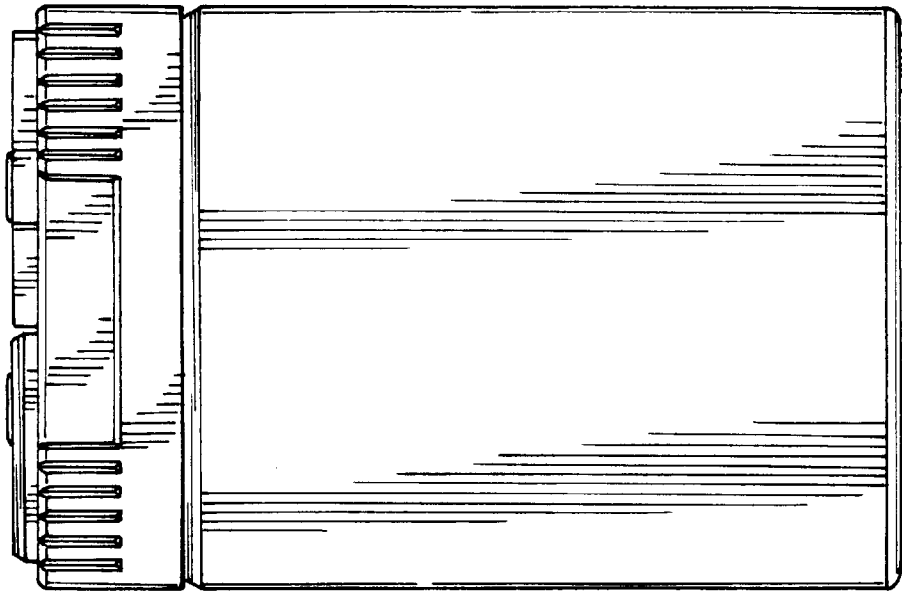


FIG.3

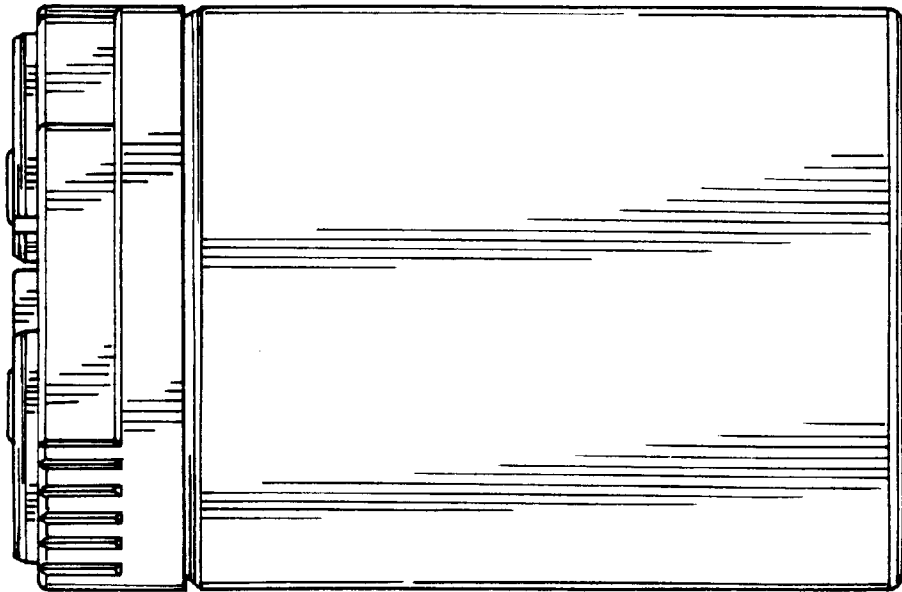


FIG.2

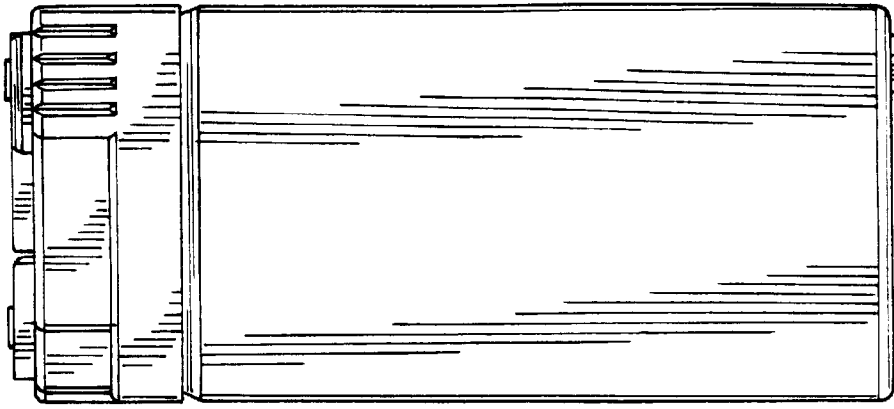


FIG. 5

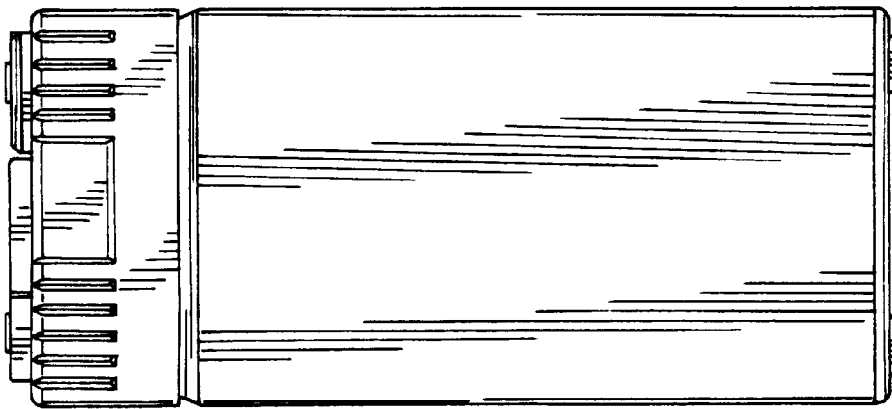


FIG. 4

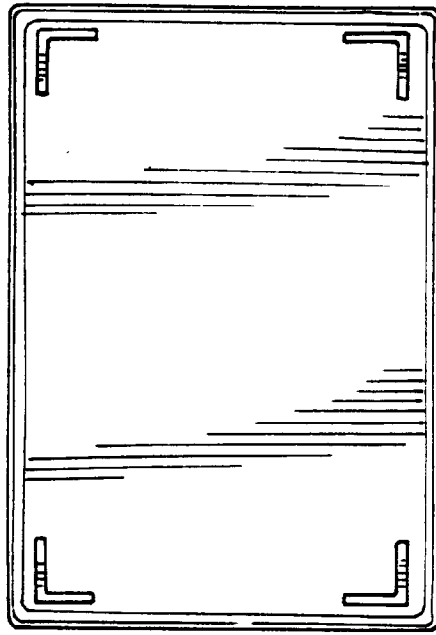


FIG. 7

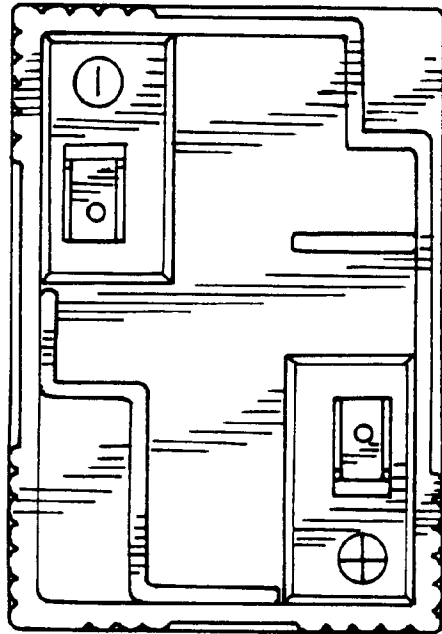


FIG. 6