



US00D937428S

(12) **United States Design Patent**
Ho

(10) **Patent No.:** **US D937,428 S**

(45) **Date of Patent:** **** Nov. 30, 2021**

(54) **MULTI-FUNCTIONAL BACK RELIEF BELT**

(71) Applicant: **Hoi Ming Michael Ho**, Tuen Mun (HK)

(72) Inventor: **Hoi Ming Michael Ho**, Tuen Mun (HK)

(**) Term: **15 Years**

(21) Appl. No.: **29/716,929**

(22) Filed: **Dec. 12, 2019**

(51) **LOC (13) Cl.** **24-02**

(52) **U.S. Cl.**
USPC **D24/190; D24/200**

(58) **Field of Classification Search**
USPC D24/188–190, 145, 191, 192, 200, 211, D24/212, 213, 214, 215, 107, 143, D24/164–169, 206; D29/121.1, 10, 11, D29/101.5, 122, 100, 101, 102
CPC .. A61F 5/028; A61F 5/03; A61F 5/024; A61F 5/0193; A61F 5/02; A61F 5/026; A61F 5/0118; A61F 5/022; A61F 5/30; A61F 5/0106; A61F 5/055; A61F 7/02; A61F 2007/0001; A61F 2250/001
See application file for complete search history.

(56) **References Cited**

U.S. PATENT DOCUMENTS

D324,270 S *	2/1992	Raya	D24/206
D328,383 S *	8/1992	Working, Jr.	D24/190
D328,792 S *	8/1992	Salmon	D24/206
D336,566 S *	6/1993	Desjardins	D24/190
D349,767 S *	8/1994	Courtet	D24/190
D352,114 S *	11/1994	Nicholson	D24/190
D353,202 S *	12/1994	Hong	D24/164
D353,205 S *	12/1994	Canavan	D24/206
D353,890 S *	12/1994	McKeel	D24/190
D358,215 S *	5/1995	Reed	D24/190

D359,158 S *	6/1995	Miramontes	D21/683
D366,555 S *	1/1996	Daniels	D24/190
D368,331 S *	3/1996	Chiang	D29/121.1
D369,866 S *	5/1996	Baughn	D24/206
D374,547 S *	10/1996	McDonald	D24/190
D375,132 S *	10/1996	Kato	D2/627
D375,186 S *	11/1996	Kim	D13/183
D375,823 S *	11/1996	Bleiweis	D2/627
D376,403 S *	12/1996	Kato	D2/627
D394,707 S *	5/1998	Tsubooka	D24/190
D403,071 S *	12/1998	Biedermann	D24/190
D403,422 S *	12/1998	Afholter	D24/188
D404,490 S *	1/1999	Tripolsky	D24/190
D408,116 S *	4/1999	Gale	D2/627
D411,356 S *	6/1999	Roper	D30/146
D418,948 S *	1/2000	London	D24/190
D422,709 S *	4/2000	Caswell	D2/624
D435,611 S *	12/2000	Hines	D2/627
D435,911 S *	1/2001	Yeager	D24/206
D437,416 S *	2/2001	Slautterback	D24/190

(Continued)

Primary Examiner — T Chase Nelson
Assistant Examiner — Kelly L Gross
(74) *Attorney, Agent, or Firm* — CIPO IP Group

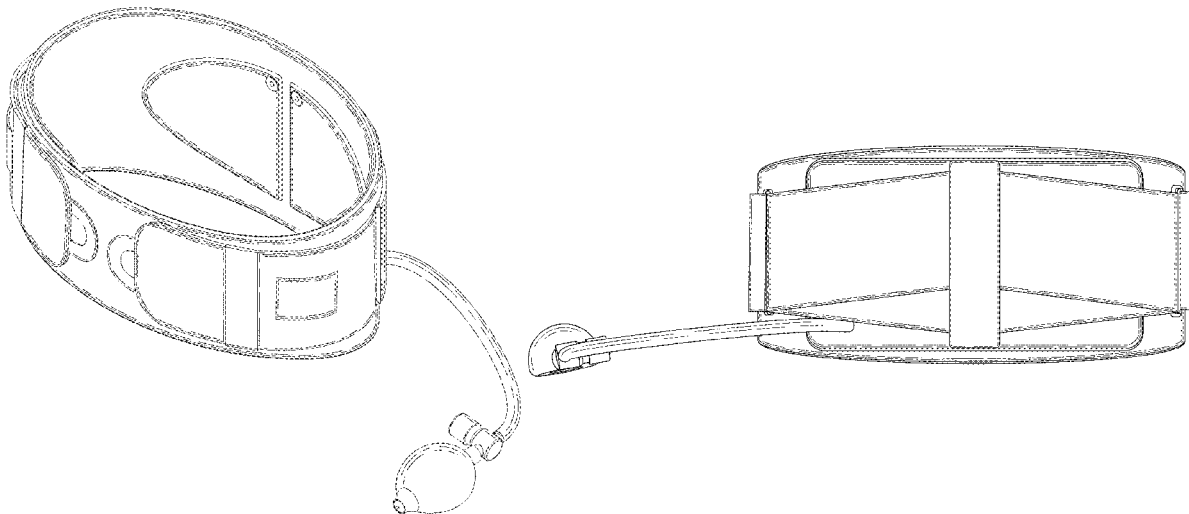
(57) **CLAIM**

The ornamental design for a multi-functional back relief belt, as shown and described.

DESCRIPTION

FIG. 1 is a perspective view of the multi-functional back relief belt showing my new design;
FIG. 2 is a front view thereof;
FIG. 3 is a rear view thereof;
FIG. 4 is a left side view thereof;
FIG. 5 is a right side view thereof;
FIG. 6 is a top view thereof;
FIG. 7 is a bottom view thereof; and,
FIG. 8 is a perspective view from the left side view thereof.

1 Claim, 8 Drawing Sheets



(56)

References Cited

U.S. PATENT DOCUMENTS

D451,605	S	*	12/2001	Snider	D24/190
D468,020	S	*	12/2002	Hoffman	D24/190
D492,787	S	*	7/2004	Weaver, II	D24/190
D496,108	S	*	9/2004	Machin	D24/190
D499,846	S	*	12/2004	Cesko	D29/101.3
D501,288	S	*	2/2005	Taylor	D2/627
D504,727	S	*	5/2005	Schirmmacher	D24/190
D504,992	S	*	5/2005	Taylor	D2/639
D507,692	S	*	7/2005	Newman	D2/627
D518,895	S	*	4/2006	Weaver, II	D24/190
D523,961	S	*	6/2006	Weber	D24/190
7,083,585	B2	*	8/2006	Latham	A61F 5/028 602/19
D530,418	S	*	10/2006	Henry	D24/110.1
7,179,241	B2	*	2/2007	Hollister	A61F 5/3738 602/20
D545,565	S	*	7/2007	Newman	D3/228
D548,349	S	*	8/2007	Hollister	D24/190
D550,847	S	*	9/2007	Kixmiller	D24/190
D550,852	S	*	9/2007	Hoffman	D24/206
D551,772	S	*	9/2007	Lozano	D24/206
D554,268	S	*	10/2007	Harding	D24/190
D554,761	S	*	11/2007	Marin	D24/206
D559,609	S	*	1/2008	Gonzalez	D6/608
D566,288	S	*	4/2008	Chuang	D24/206
7,449,006	B2	*	11/2008	Wolanske	A61F 5/028 128/100.1
D582,994	S	*	12/2008	Ulichney	D21/683
D595,858	S	*	7/2009	Kazel	D24/186
D595,859	S	*	7/2009	Young	D24/190
7,556,608	B2	*	7/2009	Parizot	A61F 5/028 128/96.1
D601,705	S	*	10/2009	Bauerfeind	D24/189
D601,706	S	*	10/2009	Bauerfeind	D24/189
D604,037	S	*	11/2009	Feller	D2/946
D607,572	S	*	1/2010	Jang	D24/190
D608,008	S	*	1/2010	Jang	D24/190
D612,947	S	*	3/2010	Turtzo	D24/206
D621,057	S	*	8/2010	Astin	D24/200
D623,307	S	*	9/2010	Warner	D24/206
D625,019	S	*	10/2010	Chiang	D24/190
D626,244	S	*	10/2010	Sagnip	D24/190
D627,078	S	*	11/2010	Matsuo	D24/206
D628,300	S	*	11/2010	Caden	D24/190
D629,115	S	*	12/2010	Robertson	D24/190
D632,398	S	*	2/2011	Bray	D24/188
D633,622	S	*	3/2011	Chiang	D24/190
D635,682	S	*	4/2011	Chiang	D24/190
D636,494	S	*	4/2011	Garth	D24/190
D636,497	S	*	4/2011	Giaccone	D24/206
D638,948	S	*	5/2011	Janzon	D24/190
D648,440	S	*	11/2011	Allen	D24/190
8,057,417	B2	*	11/2011	Imai	A61F 5/028 602/19
D650,485	S	*	12/2011	Jaccard	D24/190
D652,992	S	*	1/2012	Chen	D29/101.5
D654,180	S	*	2/2012	Weaver, II	D24/190
D655,420	S	*	3/2012	Bowles	D24/206
D657,062	S	*	4/2012	Chiang	D24/190
D657,063	S	*	4/2012	Chiang	D24/190
D660,439	S	*	5/2012	Chen	D24/190
D661,402	S	*	6/2012	Chen	D24/190
D663,029	S	*	7/2012	Holmen	D24/143
D666,258	S	*	8/2012	Campbell	D21/683
D666,301	S	*	8/2012	Joseph	D24/190
D685,484	S	*	7/2013	Brambilla	D24/190
D690,426	S	*	9/2013	Houston	D24/190
D695,902	S	*	12/2013	Daniels	D24/206
D696,408	S	*	12/2013	Chiang	D24/190
D708,345	S	*	7/2014	Brady	D24/200
D712,558	S	*	9/2014	Ledbetter	D24/206
D713,049	S	*	9/2014	Shah	D24/200
D722,118	S	*	2/2015	Lozano	D21/662
D723,224	S	*	2/2015	Smith	D29/123
D725,786	S	*	3/2015	Romo	D24/190
D728,804	S	*	5/2015	Hansen	D24/190
9,044,309	B2	*	6/2015	Allen	A61F 5/028
D737,987	S	*	9/2015	Ho	D24/190
9,155,541	B2	*	10/2015	Lee	A61H 9/0078
D742,092	S	*	11/2015	Sekula	D2/627
D743,041	S	*	11/2015	Hansen	D24/190
D743,111	S	*	11/2015	McCormick	D29/121.1
D745,101	S	*	12/2015	Cottin	D21/805
9,220,626	B2	*	12/2015	Petiot	A61F 5/028
D749,230	S	*	2/2016	Safko	D24/190
D752,233	S	*	3/2016	Fruscione-Loizides	D24/190
D753,244	S	*	4/2016	Hovey	D21/662
D761,419	S	*	7/2016	Fitzgerald	D24/128
9,402,758	B2	*	8/2016	Matsuo	D04B 21/20
D777,333	S	*	1/2017	Souney	D24/190
9,579,237	B2	*	2/2017	Hansen	A61F 13/00995
D784,544	S	*	4/2017	Dudkiewicz	D24/190
D784,546	S	*	4/2017	Gordon	D24/190
D789,546	S	*	6/2017	Matfus	D24/190
D789,547	S	*	6/2017	Matfus	D24/190
D791,333	S	*	7/2017	Wilson	D24/190
9,713,545	B2	*	7/2017	Hinshon	A61F 5/028
D794,809	S	*	8/2017	Gramza	D24/190
D800,991	S	*	10/2017	Gordon	D2/627
D806,257	S	*	12/2017	Gramza	D24/190
D810,397	S	*	2/2018	Beroff	D2/706
D813,320	S	*	3/2018	Delarosa	D21/662
D813,402	S	*	3/2018	Irwin-Lincoln	D24/190
D817,664	S	*	5/2018	Kim	D6/601
D818,597	S	*	5/2018	Worstman	D24/207
D821,698	S	*	7/2018	Dumas	D2/627
D822,840	S	*	7/2018	Campdera Lozano	D24/200
D826,516	S	*	8/2018	Vopni	D2/624
D828,467	S	*	9/2018	Karvandi	D21/662
D828,569	S	*	9/2018	Mercuro	D24/191
D831,221	S	*	10/2018	Smith	D24/190
D831,836	S	*	10/2018	Campdera Lozano	D24/200
D833,024	S	*	11/2018	Chang	D24/190
D833,629	S	*	11/2018	Chang	D24/190
D836,782	S	*	12/2018	Thompson	D24/189
D837,456	S	*	1/2019	Andrews	D29/108
10,182,934	B2	*	1/2019	Hopman	A61F 5/0193
D841,825	S	*	2/2019	Rogers	D24/206
D843,523	S	*	3/2019	Young	D21/692
10,245,174	B2	*	4/2019	Islava	F04B 33/00
D850,101	S	*	6/2019	Mironski	D3/224
D851,260	S	*	6/2019	Cryan	D24/187
D853,046	S	*	7/2019	Wako	D29/122
10,335,306	B2	*	7/2019	Okada	A61F 5/024
10,357,393	B2	*	7/2019	Islava	A61F 5/05833
D855,893	S	*	8/2019	Bookris	D29/101.4
D858,001	S	*	8/2019	Tsai	D29/120.1
D858,938	S	*	9/2019	He	D2/627
D860,466	S	*	9/2019	Chiang	D24/190
D861,903	S	*	10/2019	Cryan	D24/200
D863,565	S	*	10/2019	Cisko, Jr.	D24/190
D865,978	S	*	11/2019	Watabe	D24/190
D868,271	S	*	11/2019	Coughlan	D24/190
D869,578	S	*	12/2019	Voigt	D21/662
D872,285	S	*	1/2020	Sigurdsson	D24/190
D875,260	S	*	2/2020	Rokitta	D24/190
D875,261	S	*	2/2020	Liu	D24/190
D879,309	S	*	3/2020	Reinke	D24/190
D880,689	S	*	4/2020	Formica	D24/128
D881,404	S	*	4/2020	Wang	D24/190
D881,515	S	*	4/2020	Mei	D2/702
10,610,401	B2	*	4/2020	Islava	F04B 53/10
D884,198	S	*	5/2020	Mei	D24/190
D884,199	S	*	5/2020	Mei	D24/190
D884,200	S	*	5/2020	Mei	D24/190
D885,593	S	*	5/2020	Fleming	D24/192
D888,971	S	*	6/2020	Ito	A61H 9/0078 D24/200
D893,733	S	*	8/2020	Watabe	D24/190
D906,597	S	*	12/2020	Wilson	D29/108
10,888,448	B2	*	1/2021	Tsuchiya	A61F 5/028
D910,859	S	*	2/2021	Mei	D24/190
D913,596	S	*	3/2021	Warnock	D29/102

(56)

References Cited

U.S. PATENT DOCUMENTS

D913,629 S * 3/2021 Liang A61F 5/028
D2/702
D913,630 S * 3/2021 Mei A61F 5/05833
D2/702
D914,889 S * 3/2021 Langberg F04B 53/10
D24/190
D914,890 S * 3/2021 Langberg D24/190
D915,076 S * 4/2021 Yue D3/327
D916,298 S * 4/2021 Langberg F04B 33/00
D24/190
D917,054 S * 4/2021 Woo D24/190
D918,403 S * 5/2021 Chen D04B 21/20
D24/200
D918,530 S * 5/2021 Zimmer D2/627
D920,523 S * 5/2021 Lin D24/190
D925,744 S * 7/2021 Yeip D24/191

* cited by examiner

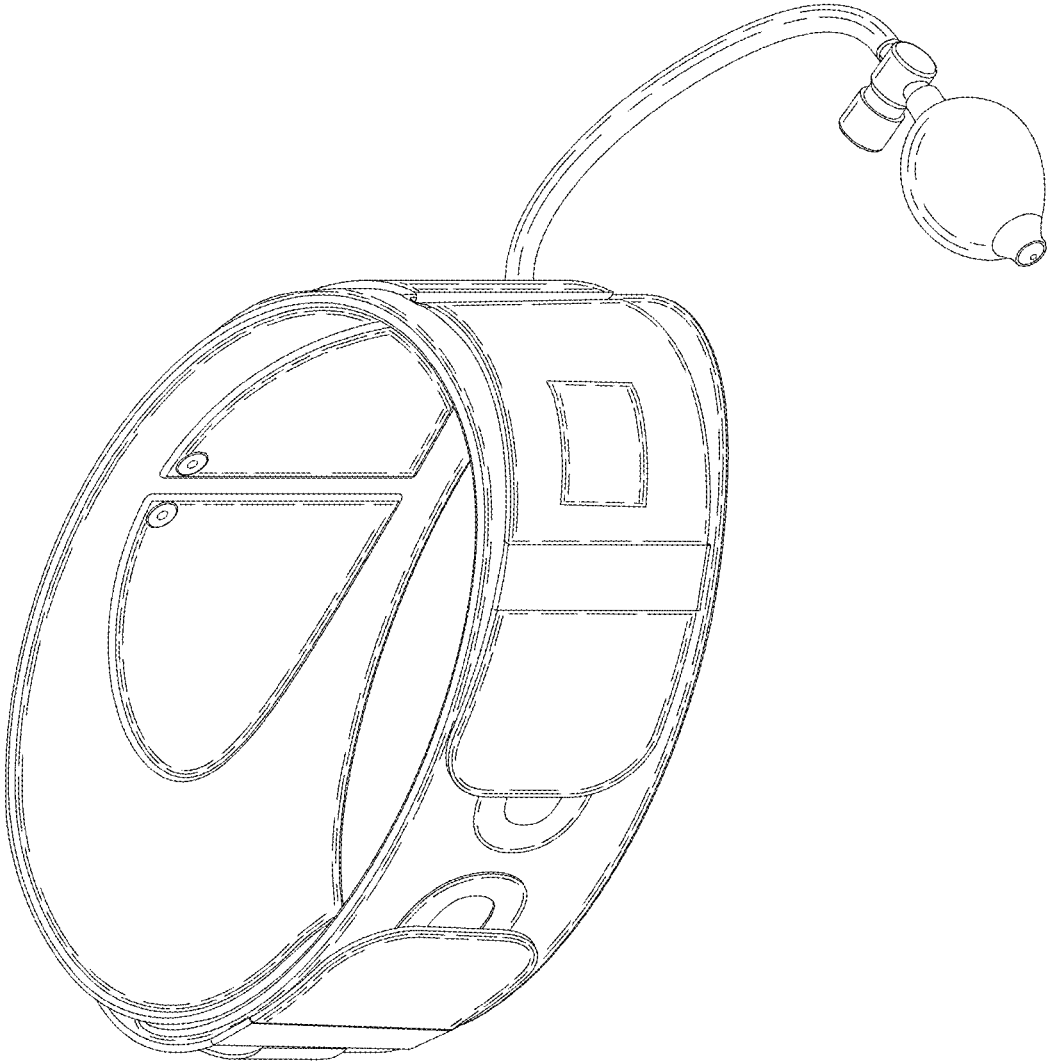


FIG. 1

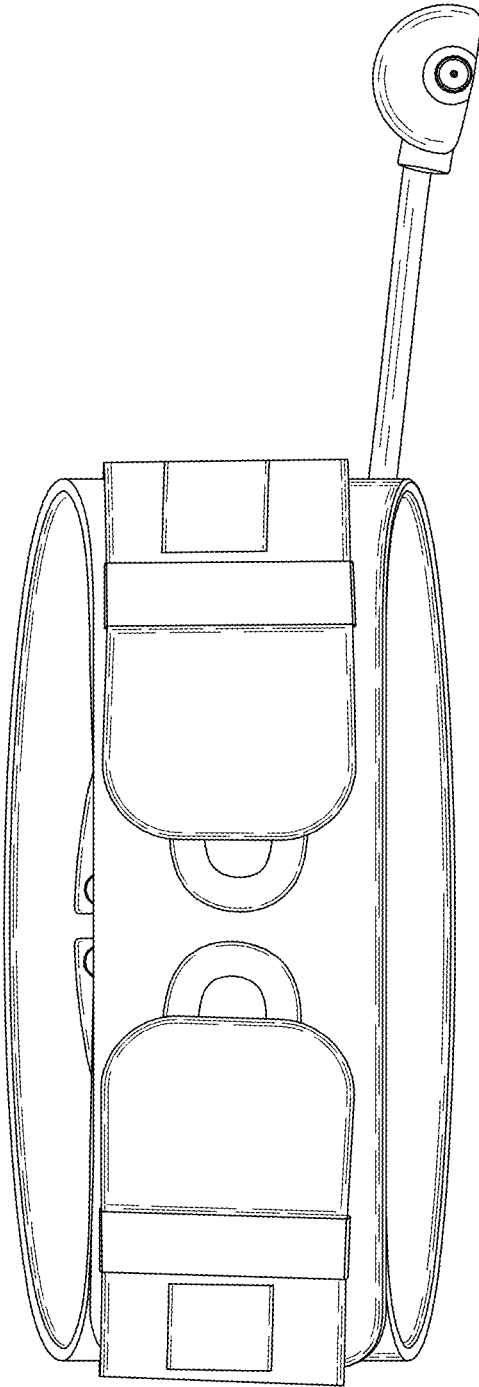


FIG. 2

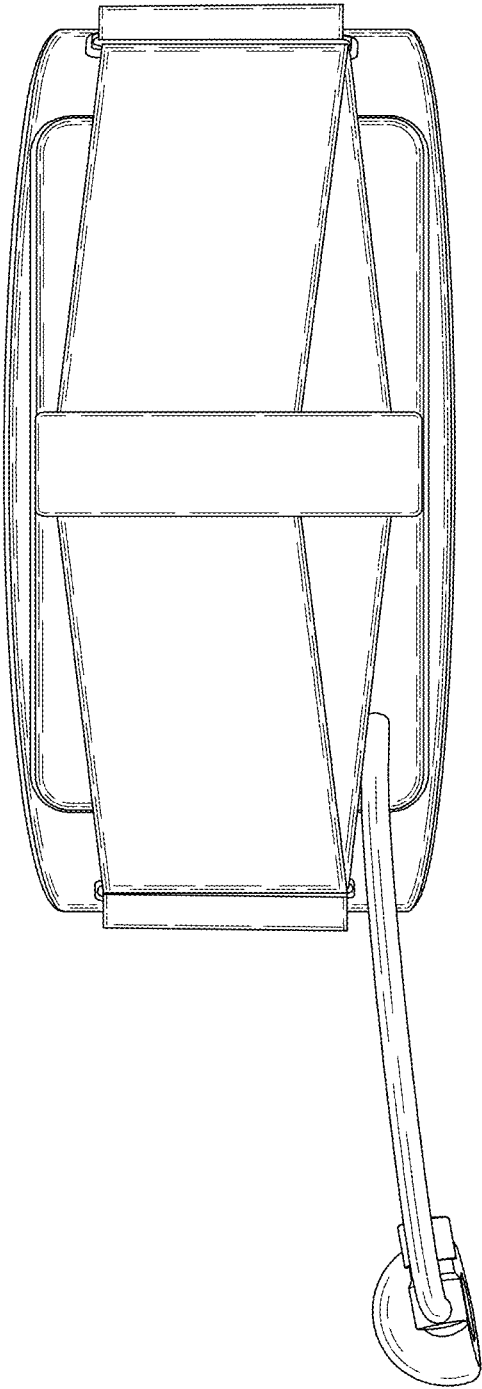


FIG. 3

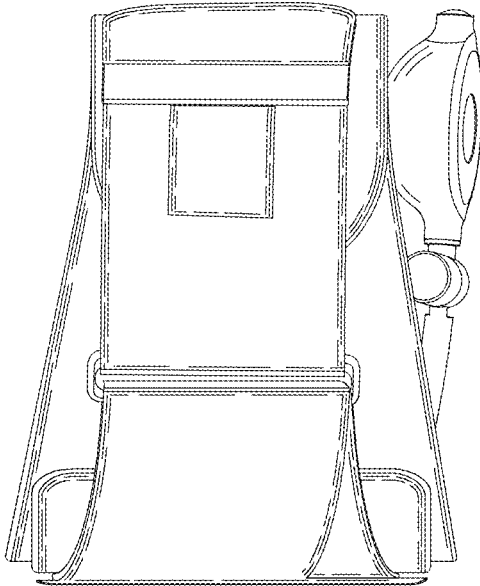


FIG. 4

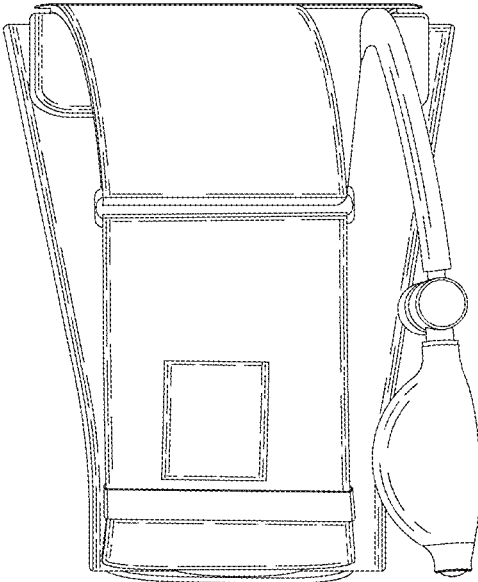


FIG. 5

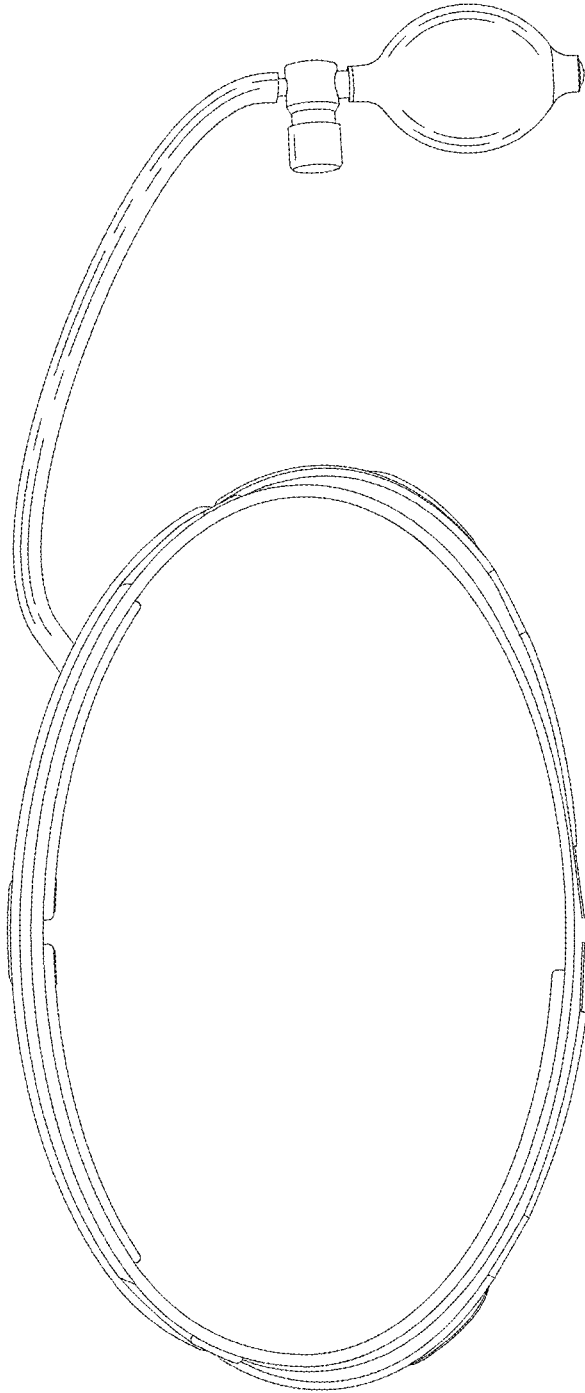


FIG. 6

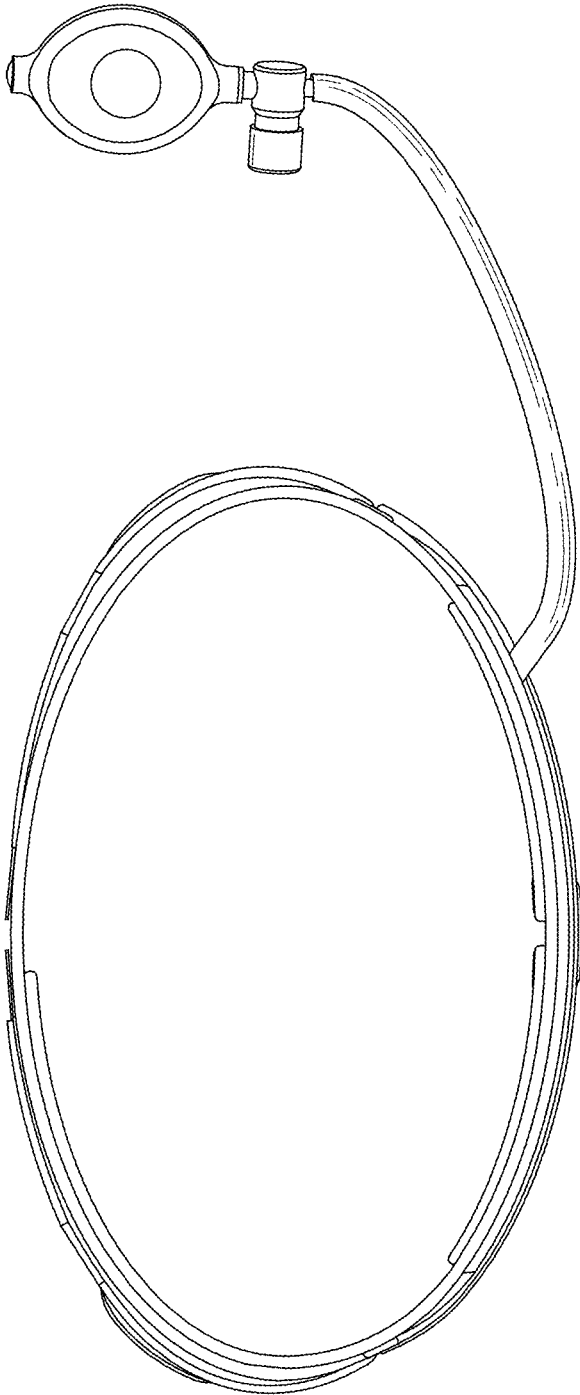


FIG. 7

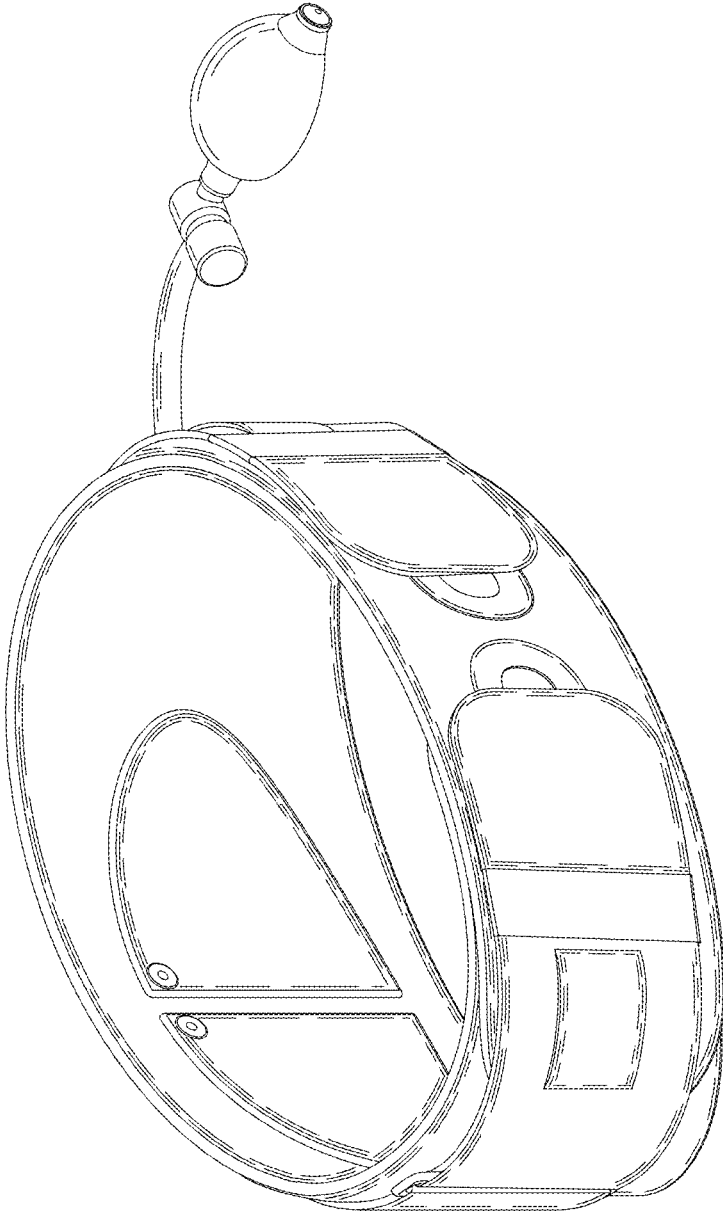


FIG. 8