



US00D792923S

(12) **United States Design Patent**
Kim et al.

(10) **Patent No.:** **US D792,923 S**

(45) **Date of Patent:** **** Jul. 25, 2017**

(54) **PRINTER**

- (71) Applicant: **Samsung Electronics Co., Ltd.**,
Suwon-si, Gyeonggi-do (KR)
- (72) Inventors: **Jong Kyu Kim**, Yongin-si (KR); **Ha Kyung Kim**, Seoul (KR); **Kwang Hyuck So**, Seoul (KR)
- (73) Assignee: **S-PRINTING SOLUTION CO., LTD.**,
Suwon-si (KR)

(**) Term: **15 Years**

(21) Appl. No.: **29/533,926**

(22) Filed: **Jul. 23, 2015**

(30) **Foreign Application Priority Data**

Feb. 12, 2015 (KR) 30-2015-0007751

(51) **LOC (10) Cl.** **18-02**

(52) **U.S. Cl.**
USPC **D18/55**

(58) **Field of Classification Search**
USPC D18/6-7, 14, 19, 50, 52, 54, 54.1, 55;
D14/420-425
CPC ... B41J 3/36; B41J 3/4075; B41J 11/58; B41J
13/00; B41J 15/00; B41J 15/02; B41J
15/042; B41J 17/00; B41J 29/00; B41J
29/02; B41J 29/08; B41J 29/13; G06F
3/12; G06K 15/14

See application file for complete search history.

(56) **References Cited**

U.S. PATENT DOCUMENTS

D633,139 S *	2/2011	Park	D18/55
D639,847 S *	6/2011	Nakata	D18/50
D641,398 S *	7/2011	Kim	D18/55
D647,132 S *	10/2011	Kim	D18/55
D693,873 S *	11/2013	Fukasawa	D18/55
D697,964 S *	1/2014	Fukasawa	D18/55
D722,339 S *	2/2015	Nakagawa	D18/55
D724,141 S *	3/2015	Kim	D18/55
D725,184 S *	3/2015	Kim	D18/55
D740,359 S *	10/2015	So	D18/55
D749,171 S *	2/2016	Nakagawa	D18/55

* cited by examiner

Primary Examiner — Cathy Anne MacCormac

(74) *Attorney, Agent, or Firm* — Cantor Colburn LLP

(57) **CLAIM**

We claim the ornamental design for a printer, as shown and described.

DESCRIPTION

FIG. 1 is a front perspective view of a printer showing our new design;
FIG. 2 is a front view thereof;
FIG. 3 is a rear view thereof;
FIG. 4 is a left-side view thereof;
FIG. 5 is a right-side view thereof;
FIG. 6 is a top view thereof; and,
FIG. 7 is a bottom view thereof.
The broken lines depict environmental subject matter and form no part of the claimed design.

1 Claim, 4 Drawing Sheets

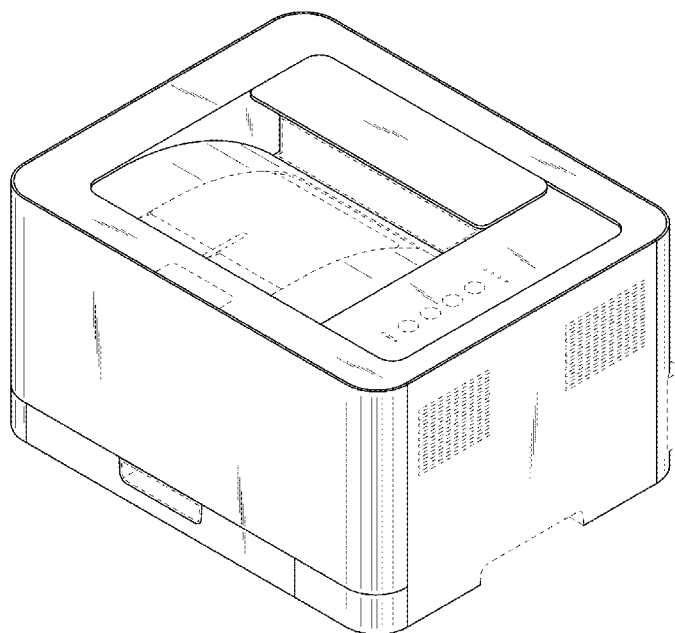


FIG.1

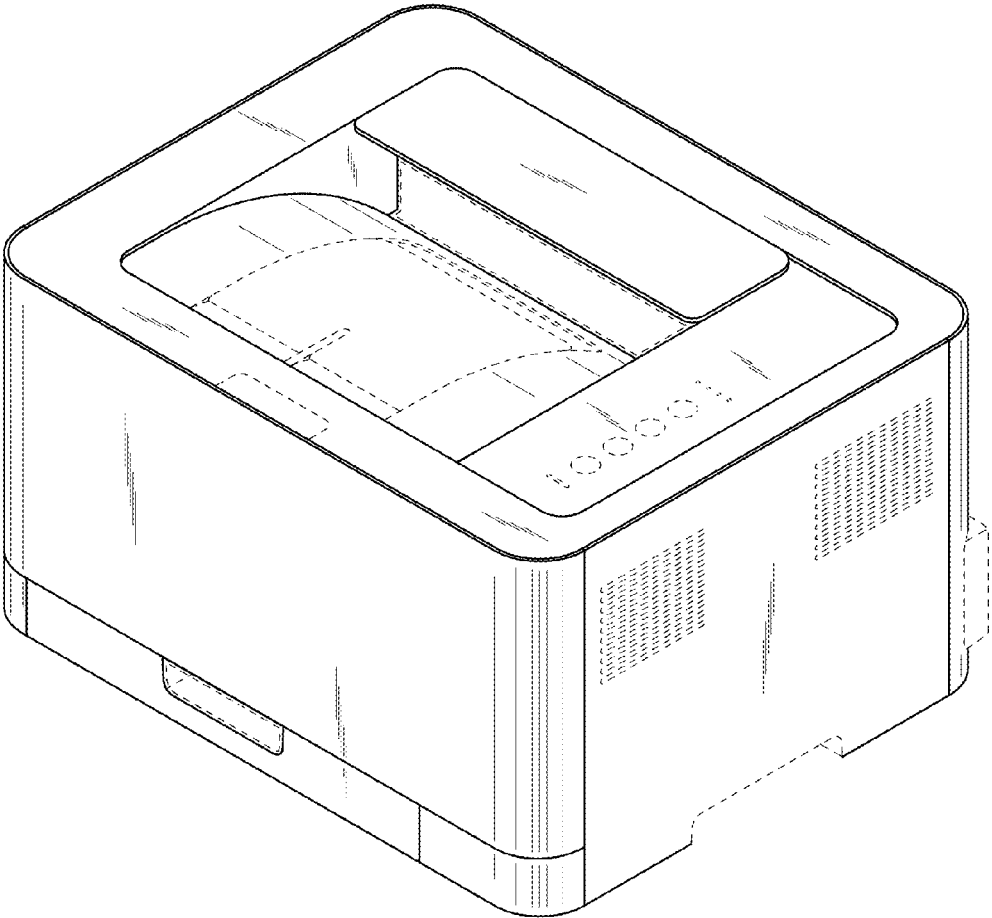


FIG.2

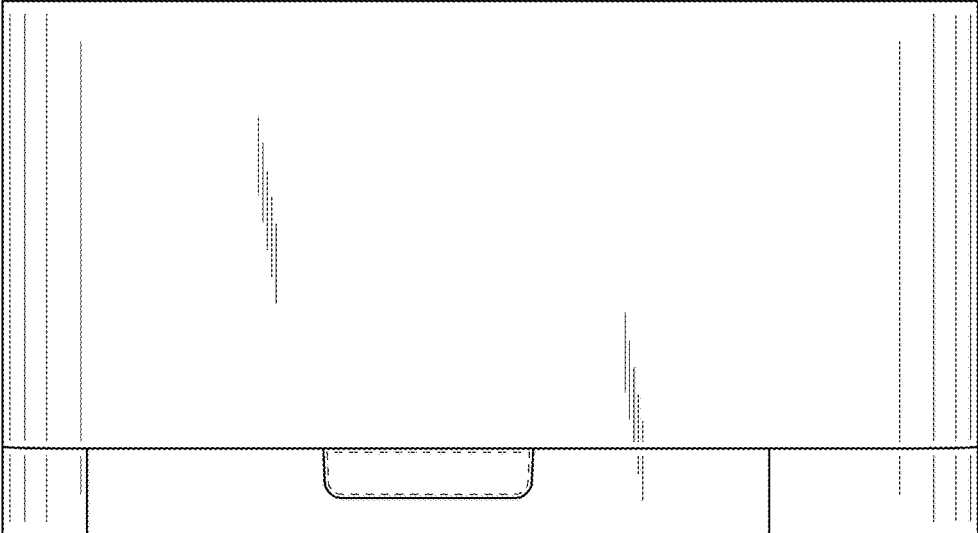


FIG.3

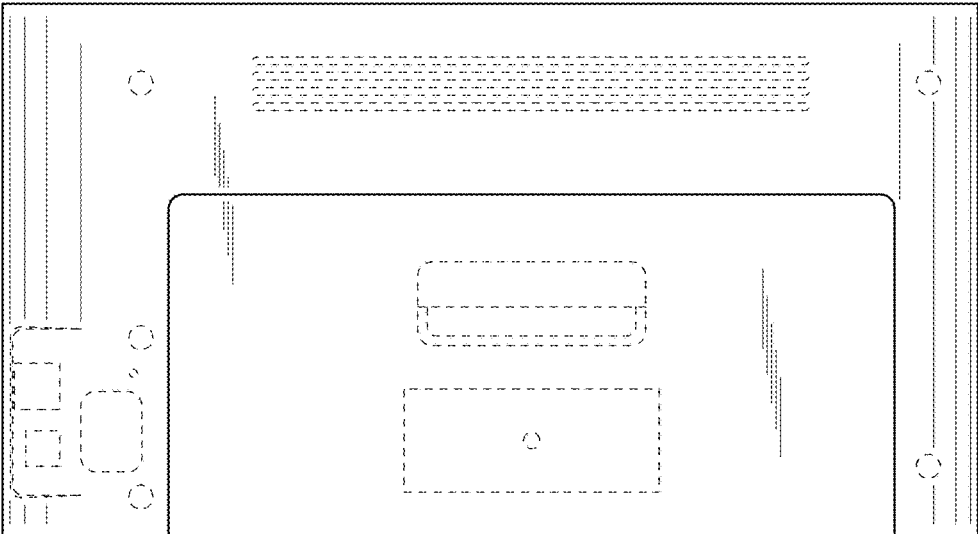


FIG.4

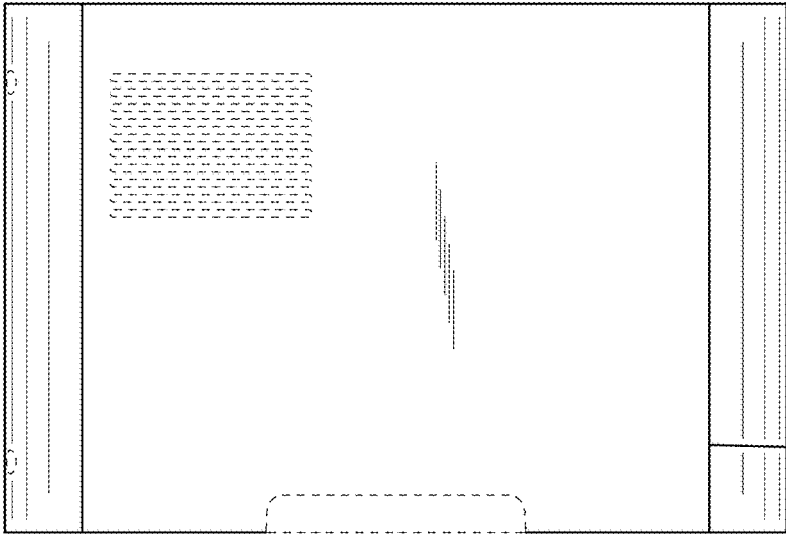


FIG.5

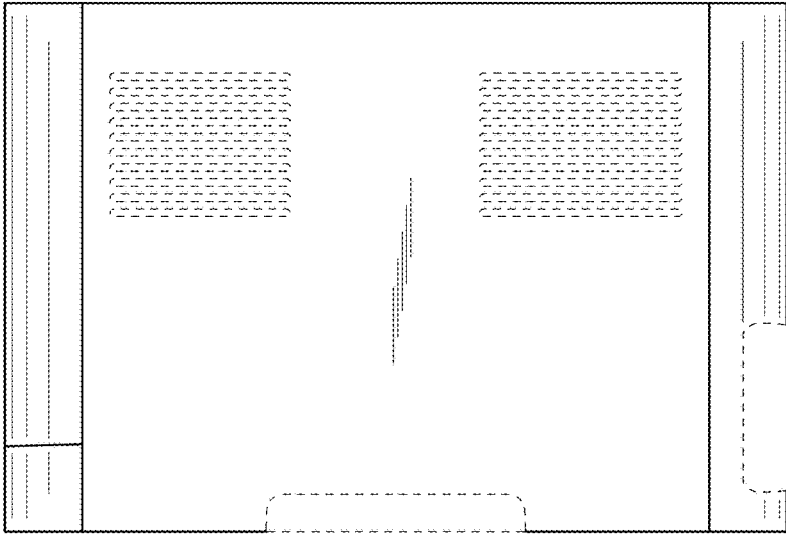


FIG.6

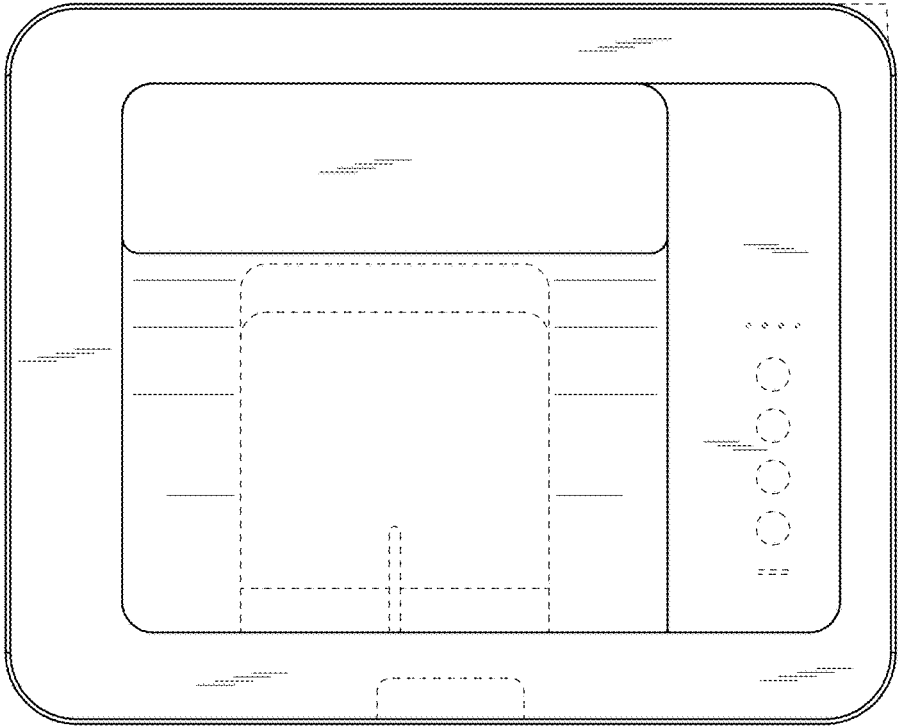


FIG.7

