



US00D699701S

(12) **United States Design Patent**  
**Kim**

(10) **Patent No.:** **US D699,701 S**

(45) **Date of Patent:** **\*\* Feb. 18, 2014**

(54) **DIGITAL AUDIO PLAYER**

(71) Applicant: **Iriver Limited**, Seoul (KR)

(72) Inventor: **So Yeon Kim**, Seoul (KR)

(73) Assignee: **Iriver Limited**, Seoul (KR)

(\*\*) Term: **14 Years**

(21) Appl. No.: **29/438,812**

(22) Filed: **Dec. 4, 2012**

(51) **LOC (10) Cl.** ..... **14-03**

(52) **U.S. Cl.**  
USPC ..... **D14/203.7; D14/496**

(58) **Field of Classification Search**  
USPC ..... D14/496, 401, 435, 474, 483, 217, 137,  
D14/138, 160, 168, 356, 203.1–203.8, 507;  
345/156, 169, 173–179, 905;  
715/727–729, 864; 710/1, 5, 8; 713/1,  
713/600; 455/1.1, 1.7, 73, 344–347, 93, 95,  
455/3.01–3.06, 550.1, 573.1; 370/342–344;  
369/1, 2, 6–12; 463/43–47; 273/148 B  
See application file for complete search history.

(56) **References Cited**

**U.S. PATENT DOCUMENTS**

5,046,739 A \* 9/1991 Reichow ..... 273/148 B  
6,977,675 B2 \* 12/2005 Kotzin ..... 348/208.2  
7,184,802 B2 \* 2/2007 Chadha ..... 455/575.1  
D538,298 S \* 3/2007 Naruki ..... D14/203.7

7,281,214 B2 \* 10/2007 Fadell ..... 715/745  
D583,828 S \* 12/2008 Li et al. .... D14/496  
D586,823 S \* 2/2009 Anderson et al. .... D14/496  
D593,132 S \* 5/2009 Kim ..... D14/496  
D615,526 S \* 5/2010 Andre et al. .... D14/203.7  
D629,385 S \* 12/2010 Lee ..... D14/203.7  
D629,786 S \* 12/2010 Andre et al. .... D14/203.7

\* cited by examiner

*Primary Examiner* — Prabhakar Deshmukh

(74) *Attorney, Agent, or Firm* — Li & Cai Intellectual Property (USA) Office

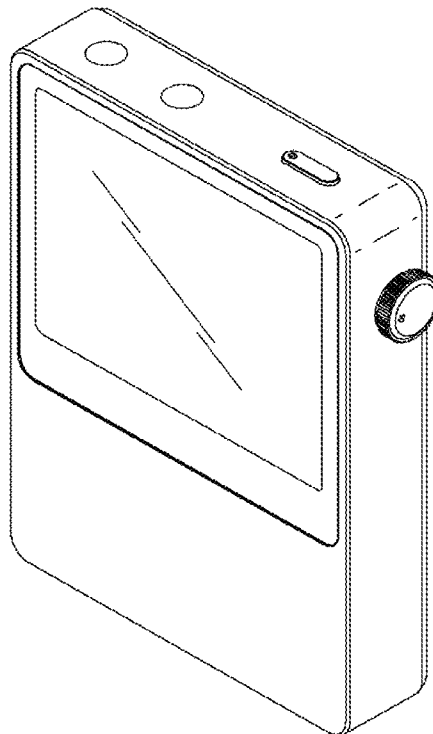
(57) **CLAIM**

The ornamental design for a digital audio player, as shown and described.

**DESCRIPTION**

FIG. 1 is a perspective view of a digital audio player showing my new design;  
FIG. 2 is a front side view of the digital audio player shown in FIG. 1;  
FIG. 3 is a rear side view of the digital audio player shown in FIG. 1;  
FIG. 4 is a left side view of the digital audio player shown in FIG. 1;  
FIG. 5 is a right side view of the digital audio player shown in FIG. 1;  
FIG. 6 is a top view of the digital audio player shown in FIG. 1; and,  
FIG. 7 is a bottom view of the digital audio player shown in FIG. 1.

**1 Claim, 7 Drawing Sheets**



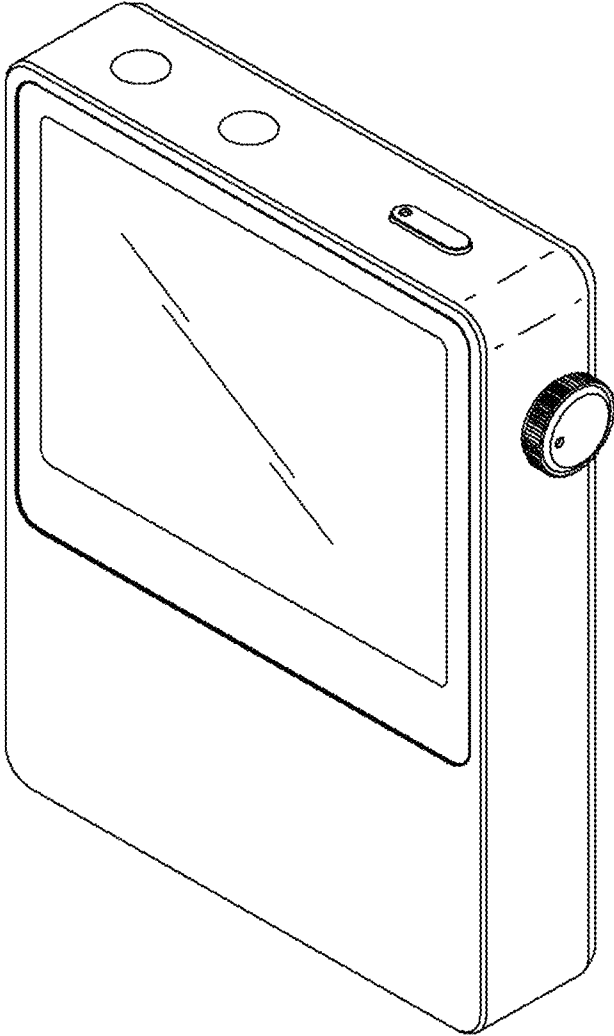


FIG. 1

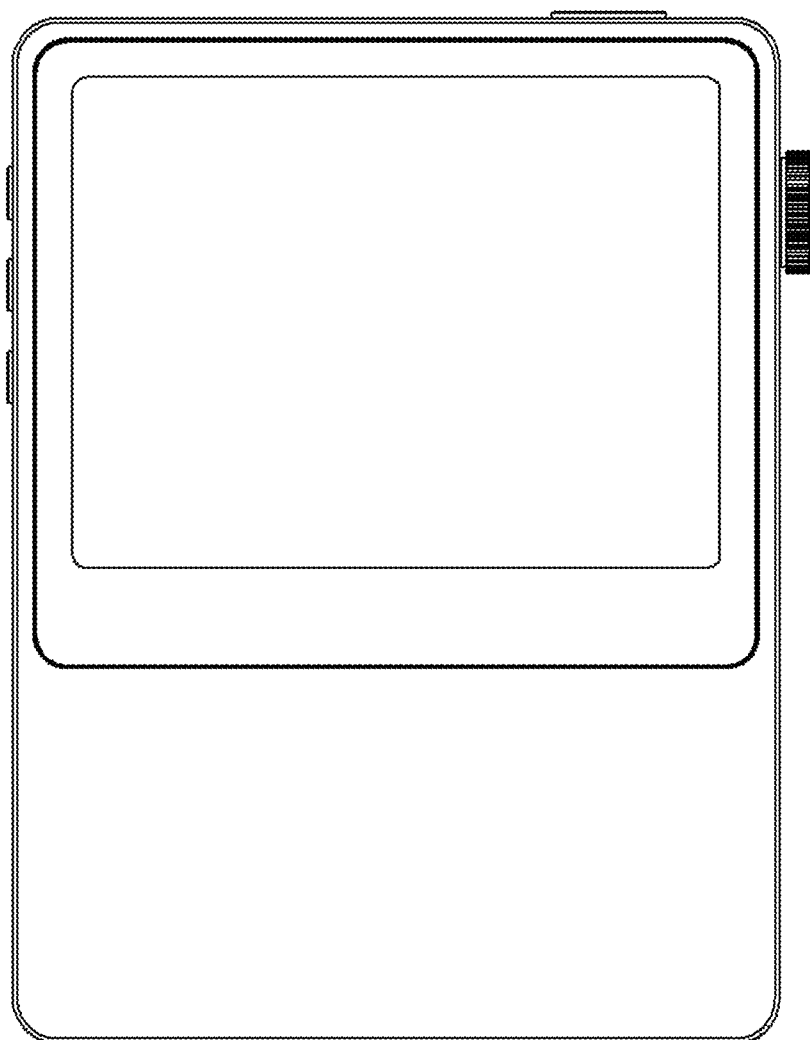


FIG. 2

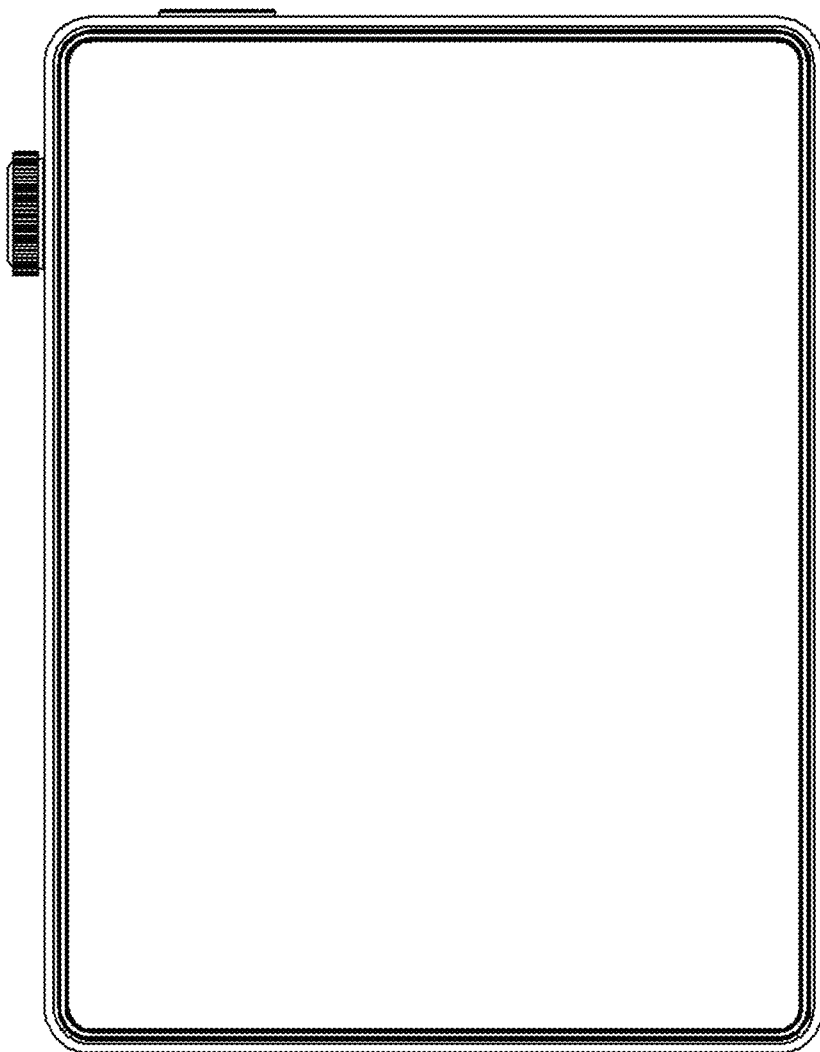


FIG. 3

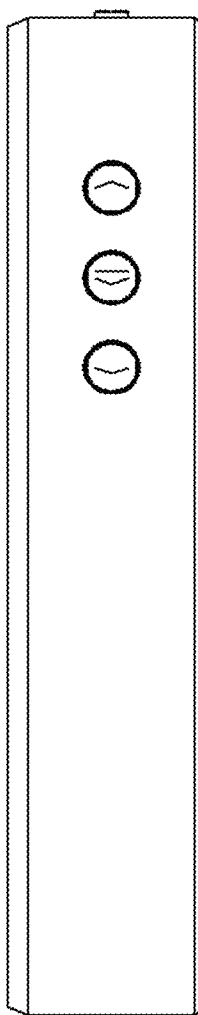


FIG. 4

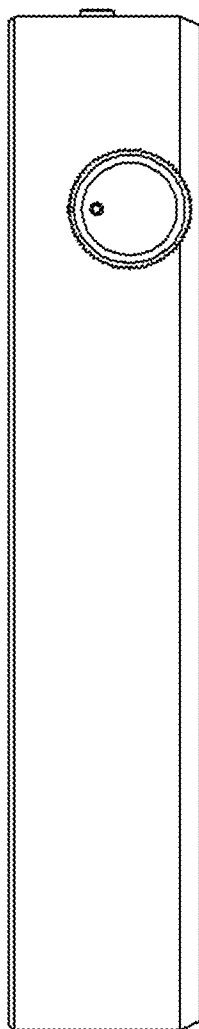


FIG. 5

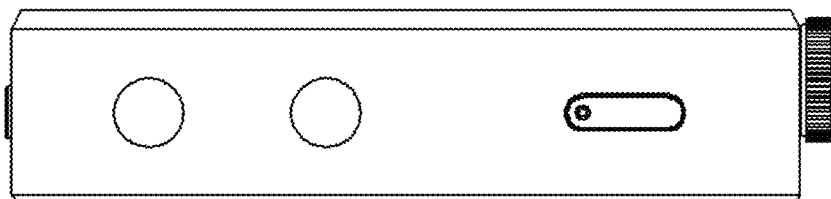


FIG. 6

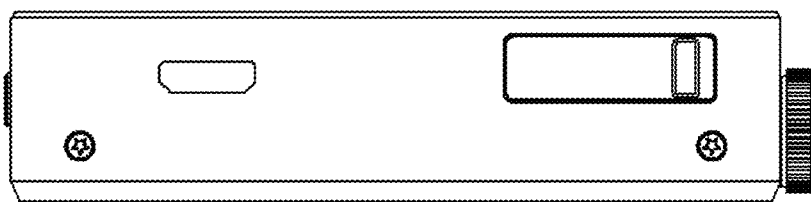


FIG. 7