



US00D965138S

(12) **United States Design Patent**  
**Slaby et al.**

(10) **Patent No.:** **US D965,138 S**

(45) **Date of Patent:** **\*\* Sep. 27, 2022**

(54) **INFUSION PUMP WITH RECHARGEABLE BATTERY**

- (71) Applicants: **Baxter International Inc.**, Deerfield, IL (US); **Baxter Healthcare SA**, Glattpark (CH)
- (72) Inventors: **Jiri Slaby**, Buffalo Grove, IL (US); **Kevin Boron**, Chicago, IL (US); **Partha Chandrakant**, Hawthorn Woods, IL (US); **Robert Cuevas**, Twin Lakes, WI (US); **Mark Luzbetak**, Kildeer, IL (US); **Steve Pippin**, Libertyville, IL (US); **Raymond Kan**, Lake Forest, IL (US); **Paul Duncan**, Northfield, IL (US)
- (73) Assignees: **Baxter International Inc.**, Deerfield, IL (US); **Baxter Healthcare SA**
- (\*\*) Term: **15 Years**
- (21) Appl. No.: **29/690,794**
- (22) Filed: **May 10, 2019**

**Related U.S. Application Data**

- (63) Continuation-in-part of application No. 15/855,550, filed on Dec. 27, 2017, now Pat. No. 10,758,669, and a continuation of application No. 15/855,536, filed on Dec. 27, 2017, now Pat. No. 10,648,564.
- (51) **LOC (13) Cl.** ..... **24-02**
- (52) **U.S. Cl.**  
USPC ..... **D24/111**
- (58) **Field of Classification Search**  
USPC ..... D24/107, 108, 111, 169, 185, 186  
CPC .... A61M 5/142; A61M 5/1452; A61M 5/168; A61M 5/16886; A61M 2205/502; A61M 2205/505; A61M 2205/3331; A61M 2205/3334

See application file for complete search history.

(56) **References Cited**

U.S. PATENT DOCUMENTS

- 4,460,358 A \* 7/1984 Somerville ..... G01F 11/088  
604/245
- 4,525,163 A \* 6/1985 Slavik ..... A61M 5/1689  
128/DIG. 13
- 4,673,389 A \* 6/1987 Archibald ..... F16K 7/06  
251/9
- 5,242,407 A \* 9/1993 Struble ..... A61M 5/142  
417/474
- D353,667 S \* 12/1994 Tsubota ..... D24/111
- D367,527 S \* 2/1996 Marston ..... D24/111
- 5,868,712 A \* 2/1999 Briggs ..... A61M 5/365  
417/63

(Continued)

*Primary Examiner* — Richard Kearney

*Assistant Examiner* — Michael Hoffman

(74) *Attorney, Agent, or Firm* — K&L Gates LLP

(57) **CLAIM**

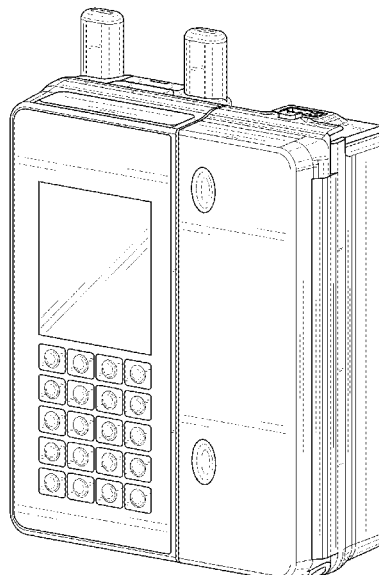
The ornamental design for an infusion pump with rechargeable battery, as shown and described herein.

**DESCRIPTION**

FIG. 1 illustrates a front-perspective view of an infusion pump with rechargeable battery;  
 FIG. 2 illustrates a front view thereof;  
 FIG. 3 illustrates a rear view thereof;  
 FIG. 4 illustrates a left-side view thereof;  
 FIG. 5 illustrates a right-side view thereof;  
 FIG. 6 illustrates a top-plan view thereof; and,  
 FIG. 7 illustrates a bottom-plan view thereof.

Any broken lines in the drawings are for illustrative purposes only and form no part of the claimed design. Additionally, the infusion pump with rechargeable battery is not limited to the scale shown herein.

**1 Claim, 7 Drawing Sheets**



(56)

**References Cited**

U.S. PATENT DOCUMENTS

6,172,479 B1 \* 1/2001 Barton ..... H02J 7/36  
320/132  
6,503,221 B1 \* 1/2003 Briggs ..... F04B 43/08  
604/67  
9,833,569 B2 \* 12/2017 Gray ..... H01M 50/213  
D854,145 S \* 7/2019 Collins ..... D24/111  
2013/0192380 A1 \* 8/2013 Bivans ..... A61M 5/14228  
73/781  
2018/0185569 A1 \* 7/2018 Slaby ..... A61M 39/288  
2018/0187782 A1 \* 7/2018 Slaby ..... F16J 15/104  
2019/0348160 A1 \* 11/2019 Heavelyn ..... G16H 20/10  
2020/0353157 A1 \* 11/2020 Slaby ..... A61M 5/14212

\* cited by examiner

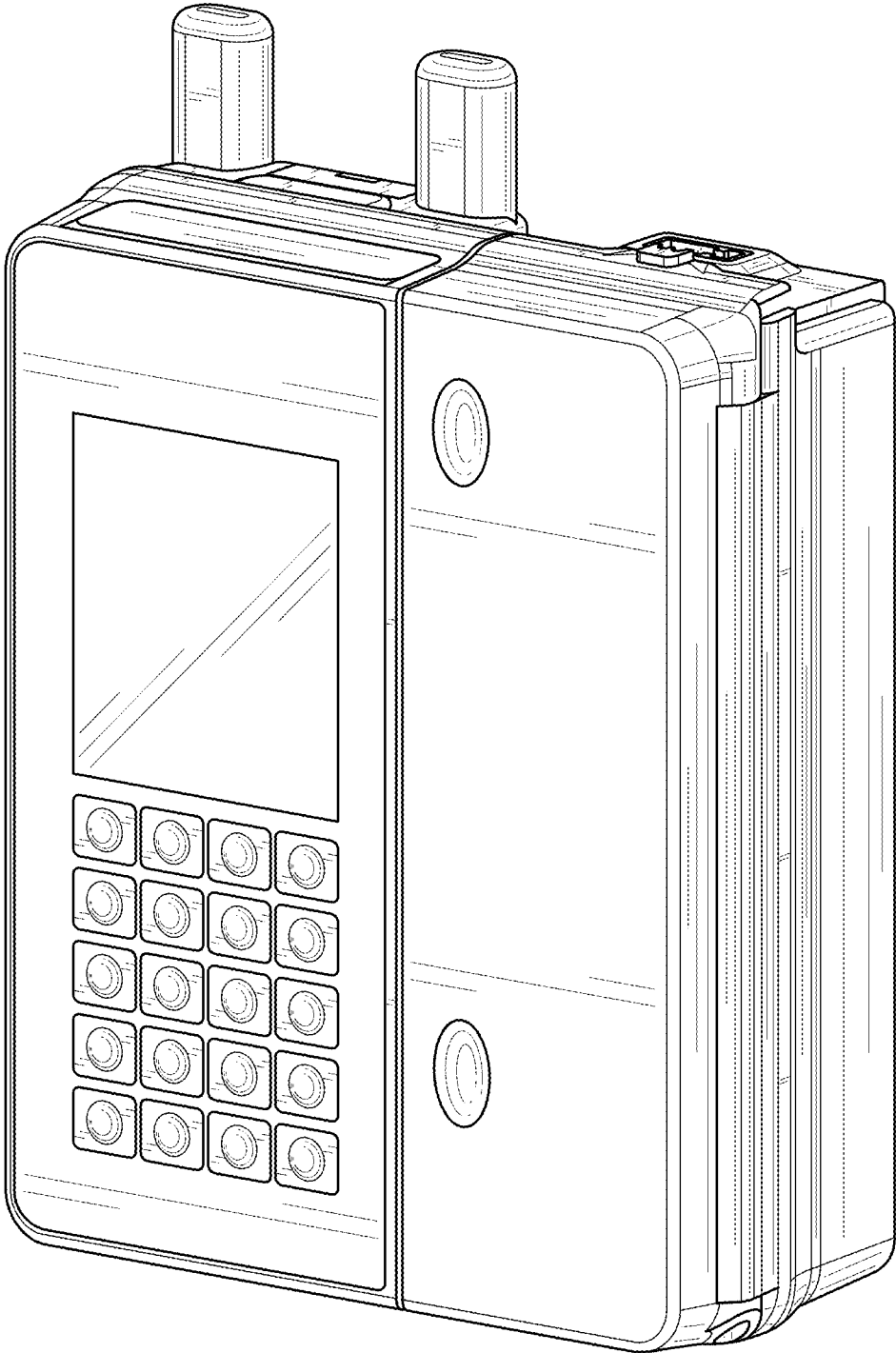


FIG. 1

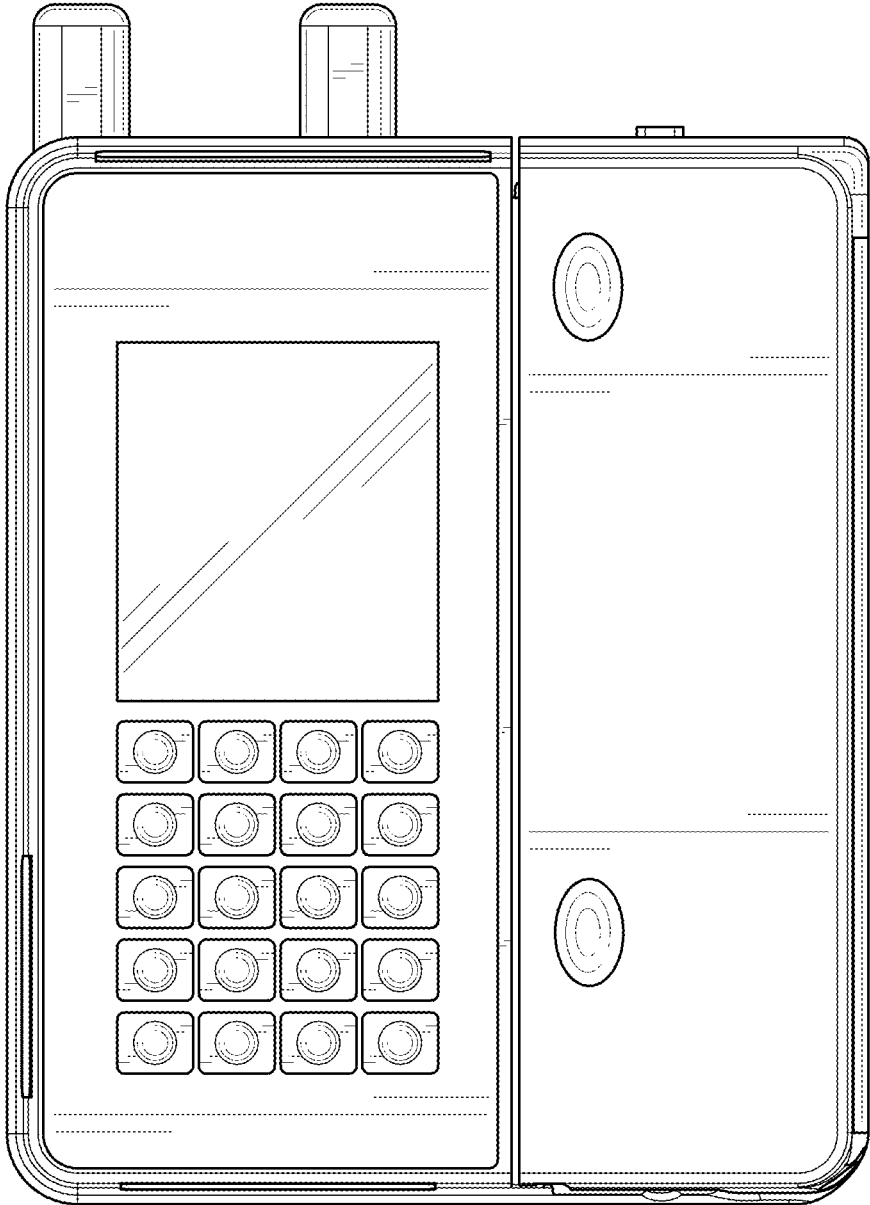


FIG. 2

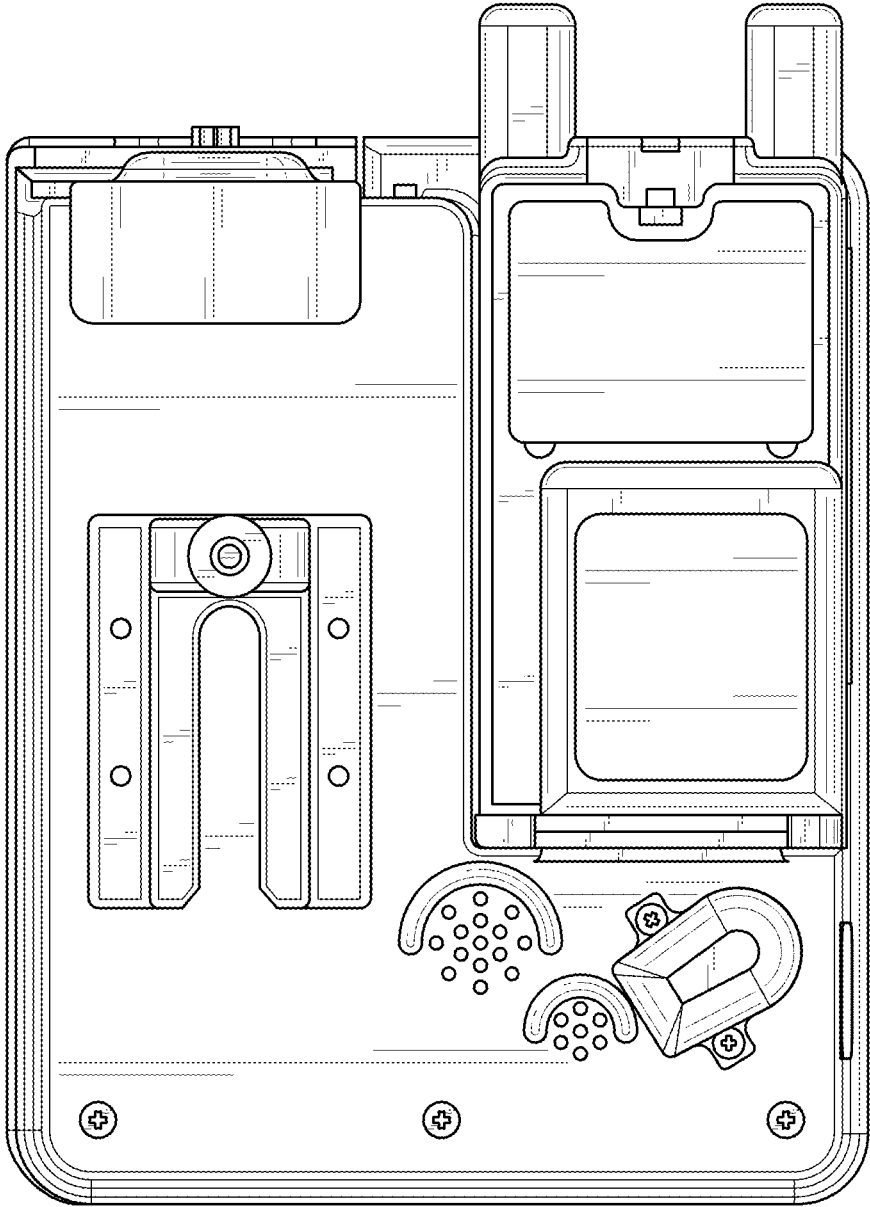


FIG. 3

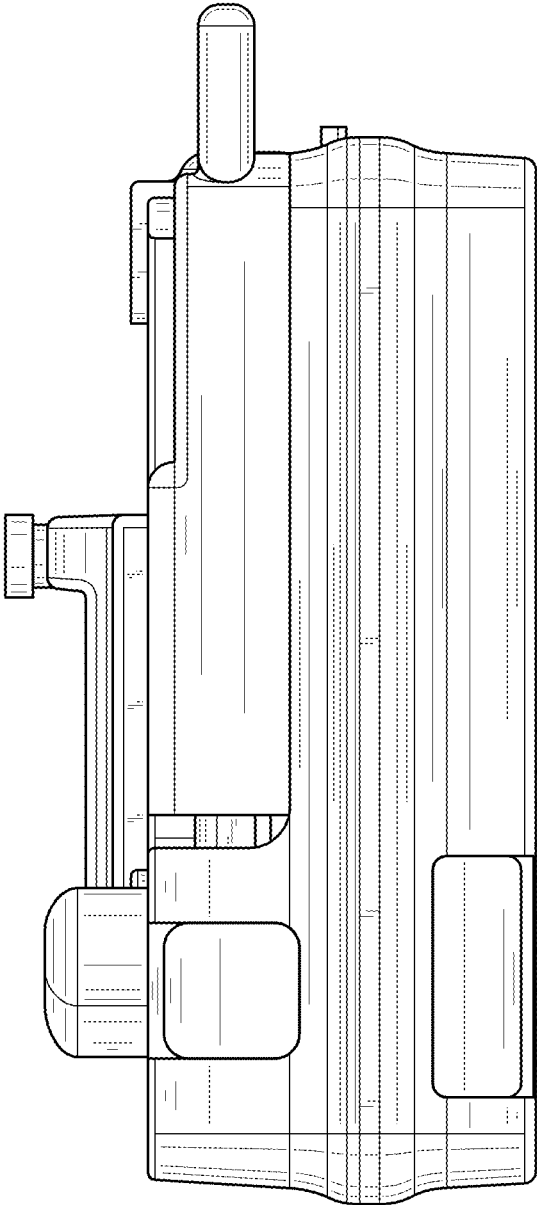


FIG. 4

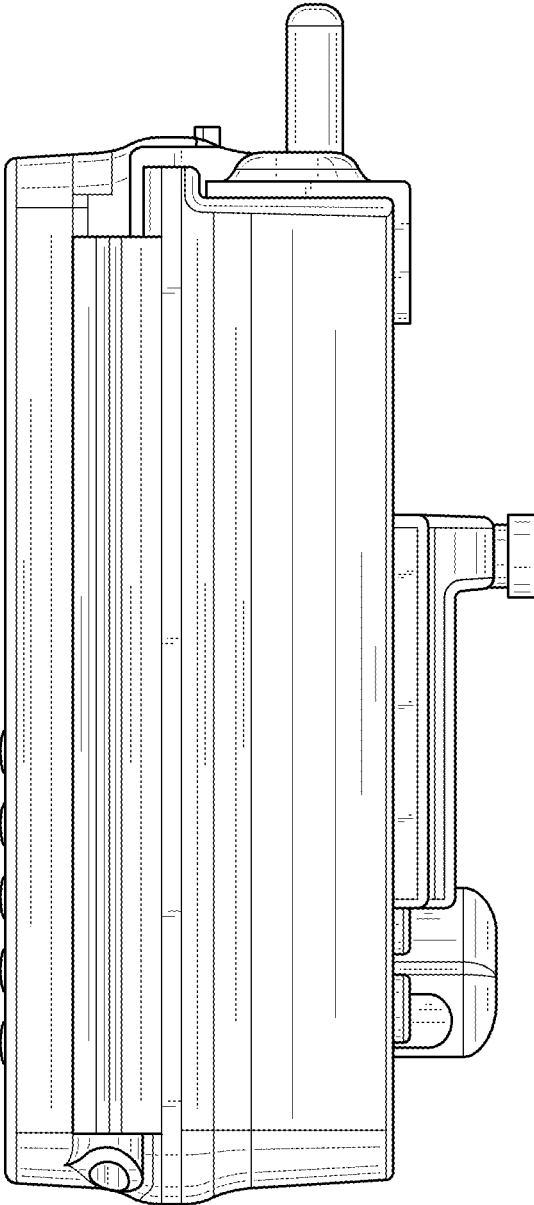


FIG. 5

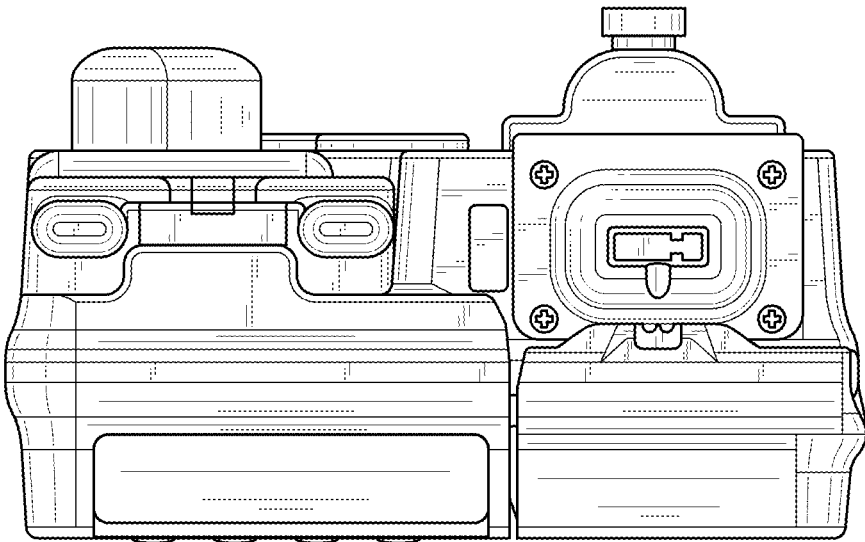


FIG. 6



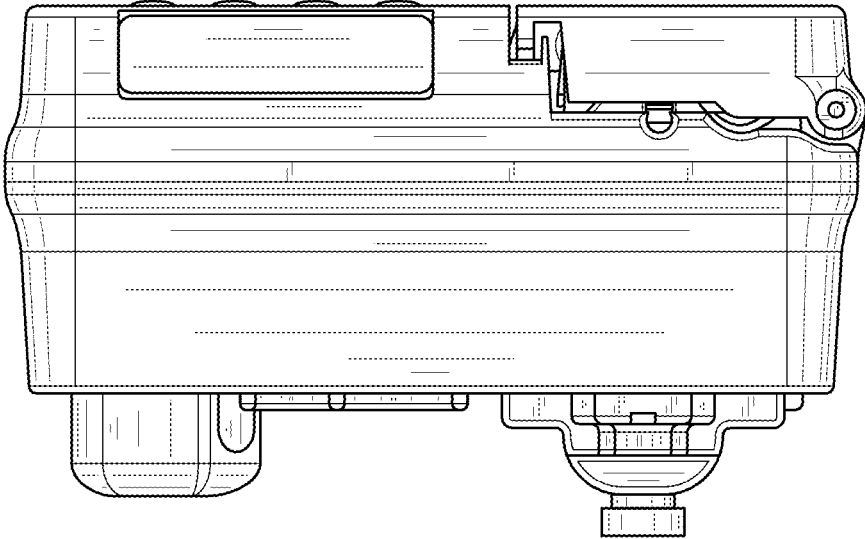


FIG. 7