



US00D966260S

(12) **United States Design Patent**  
**Xiong**

(10) **Patent No.:** **US D966,260 S**

(45) **Date of Patent:** **\*\* Oct. 11, 2022**

- (54) **DISPLAY SCREEN**
- (71) Applicant: **Shenzhen Sunvey Tech Co., Ltd.**,  
Shenzhen (CN)
- (72) Inventor: **Lijun Xiong**, Shenzhen (CN)
- (\*\*) Term: **15 Years**
- (21) Appl. No.: **29/766,739**

D926,148 S \* 7/2021 Shim ..... G06F 1/18  
D14/371  
D944,795 S \* 3/2022 Xiong ..... D14/371  
D951,248 S \* 5/2022 Chen ..... D14/371

**FOREIGN PATENT DOCUMENTS**

CN 304912977 \* 11/2018  
CN 305131406 \* 4/2019  
CN 305275379 \* 7/2019

**OTHER PUBLICATIONS**

Hubble, first available Jul. 26, 2021 [online], [retrieved May 17, 2022]. Available from the Internet, URL: <https://www.amazon.com/dp/B09B7VRR4B/ref=cm\_sw\_em\_r\_mt\_dp\_PRMDT08E3PD2Z1XDBRGN?\_encoding=UTF8&psc=1 (Year: 2021)\*

(Continued)

*Primary Examiner* — Tracey J Bell  
*Assistant Examiner* — Russell Carnell Smith, Jr.

(57) **CLAIM**

The ornamental design for a display screen, as shown and described.

**DESCRIPTION**

FIG. 1 is a first perspective view of a display screen showing my new design;  
FIG. 2 is a second perspective view thereof;  
FIG. 3 is a front view thereof;  
FIG. 4 is a back view thereof;  
FIG. 5 is a left side view thereof;  
FIG. 6 is a right side view thereof;  
FIG. 7 is a top view thereof; and,  
FIG. 8 is a bottom view thereof.  
The broken lines shown in the drawings depict portions of the display screen in which the design is embodied that form no part of the claimed design.

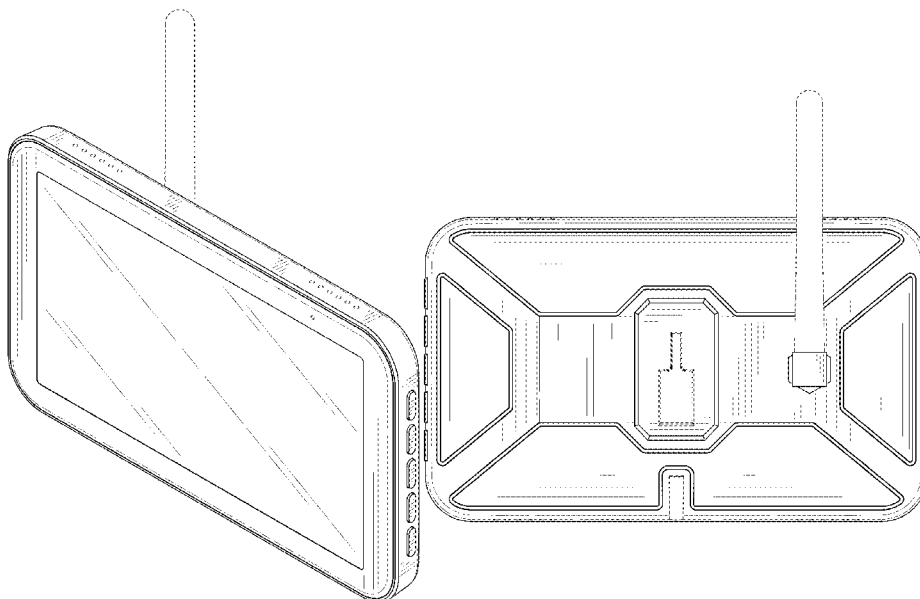
**1 Claim, 8 Drawing Sheets**

- (22) Filed: **Jan. 18, 2021**
- (51) **LOC (13) Cl.** ..... **14-02**
- (52) **U.S. Cl.**  
USPC ..... **D14/343**; D14/371; D14/374
- (58) **Field of Classification Search**  
USPC ..... D14/336, 341, 342, 343, 344, 345, 346,  
D14/347, 371, 374, 126, 125, 496;  
D13/162.1; D21/329; D10/50, 65, 74,  
D10/104.1  
CPC .... B60R 1/00; B60R 1/04; B60R 1/08; B60R  
1/025; B60R 11/0264; B60R 11/0258;  
B60R 2001/1215; B60R 2001/1284;  
G06F 1/1641; G06F 1/1626  
See application file for complete search history.

(56) **References Cited**

**U.S. PATENT DOCUMENTS**

D396,222 S \* 7/1998 Morgan ..... D14/374  
D582,916 S \* 12/2008 Wada ..... D14/371  
D608,778 S \* 1/2010 Lee ..... D14/371  
D620,938 S \* 8/2010 Shih ..... D14/374  
D628,199 S \* 11/2010 Yukikado ..... D14/374  
D671,940 S \* 12/2012 Kim ..... D14/374  
D729,644 S \* 5/2015 Browning ..... D10/65  
D729,793 S \* 5/2015 Hickok ..... D14/371  
D881,771 S \* 4/2020 Xiong ..... D12/192  
D893,201 S \* 8/2020 Jiang ..... D14/374  
D897,983 S \* 10/2020 Ravat ..... D14/159



(56)

**References Cited**

OTHER PUBLICATIONS

Casacam, oldest review Oct. 17, 2018 [online], [retrieved May 17, 2022]. Available from the Internet, URL:<[https://www.amazon.com/dp/B07BJR4MZ/ref=cm\\_sw\\_em\\_r\\_mt\\_dp\\_ZHC291JZJ76YDSB8T03Z?\\_encoding=UTF8&psc=1](https://www.amazon.com/dp/B07BJR4MZ/ref=cm_sw_em_r_mt_dp_ZHC291JZJ76YDSB8T03Z?_encoding=UTF8&psc=1)>. (Year: 2018).\*  
Wireless Backup Camera, first available Jul. 16, 2018 [online], [retrieved May 21, 2022]. Available from the Internet, URL:<[https://www.amazon.com/dp/B07FLZ1HSQ?ref=cm\\_sw\\_r\\_cp\\_ud\\_dp\\_CBJE0NYRXBWWFH1SPQGG](https://www.amazon.com/dp/B07FLZ1HSQ?ref=cm_sw_r_cp_ud_dp_CBJE0NYRXBWWFH1SPQGG)>. (Year: 2018).\*

\* cited by examiner

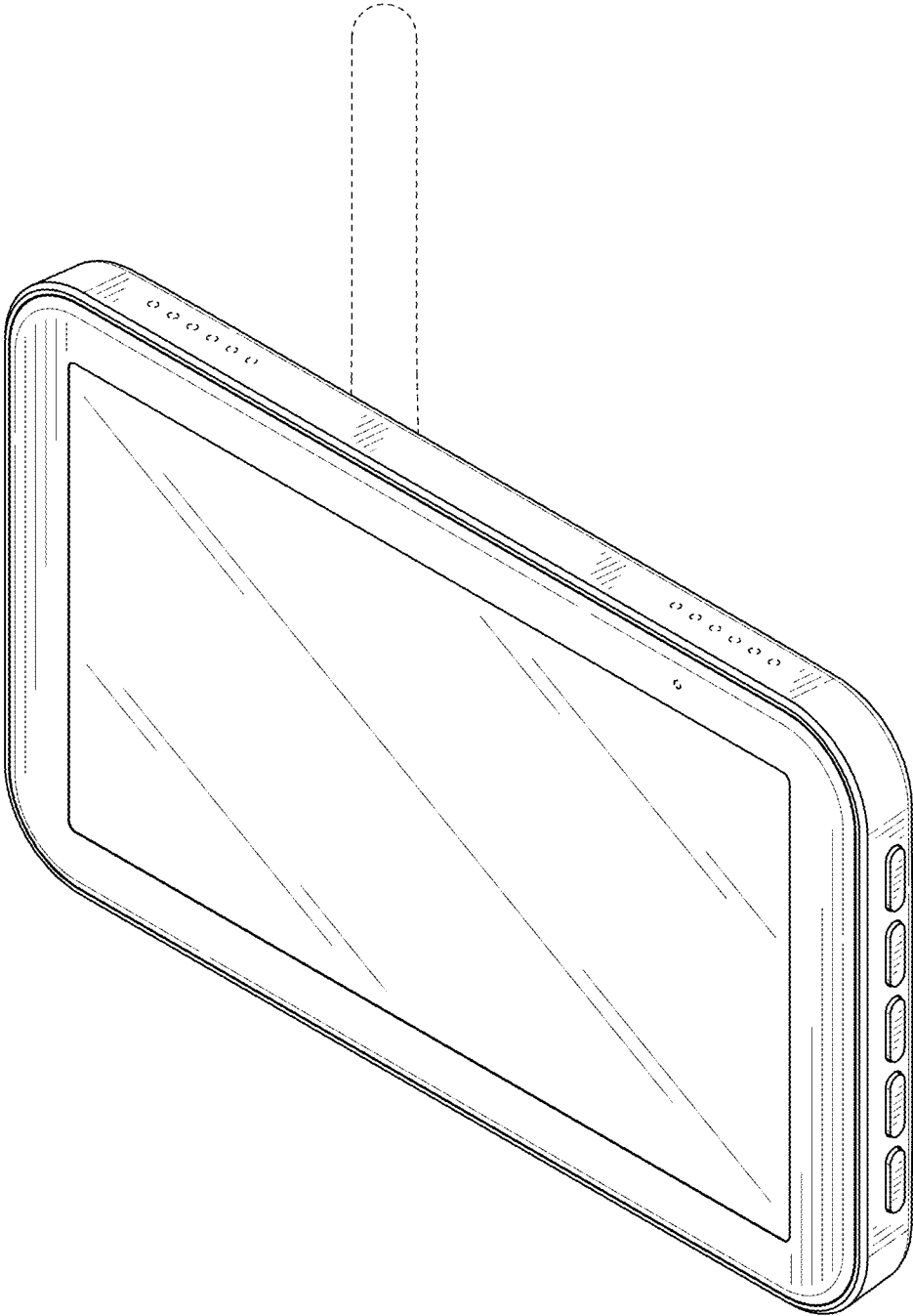


FIG. 1

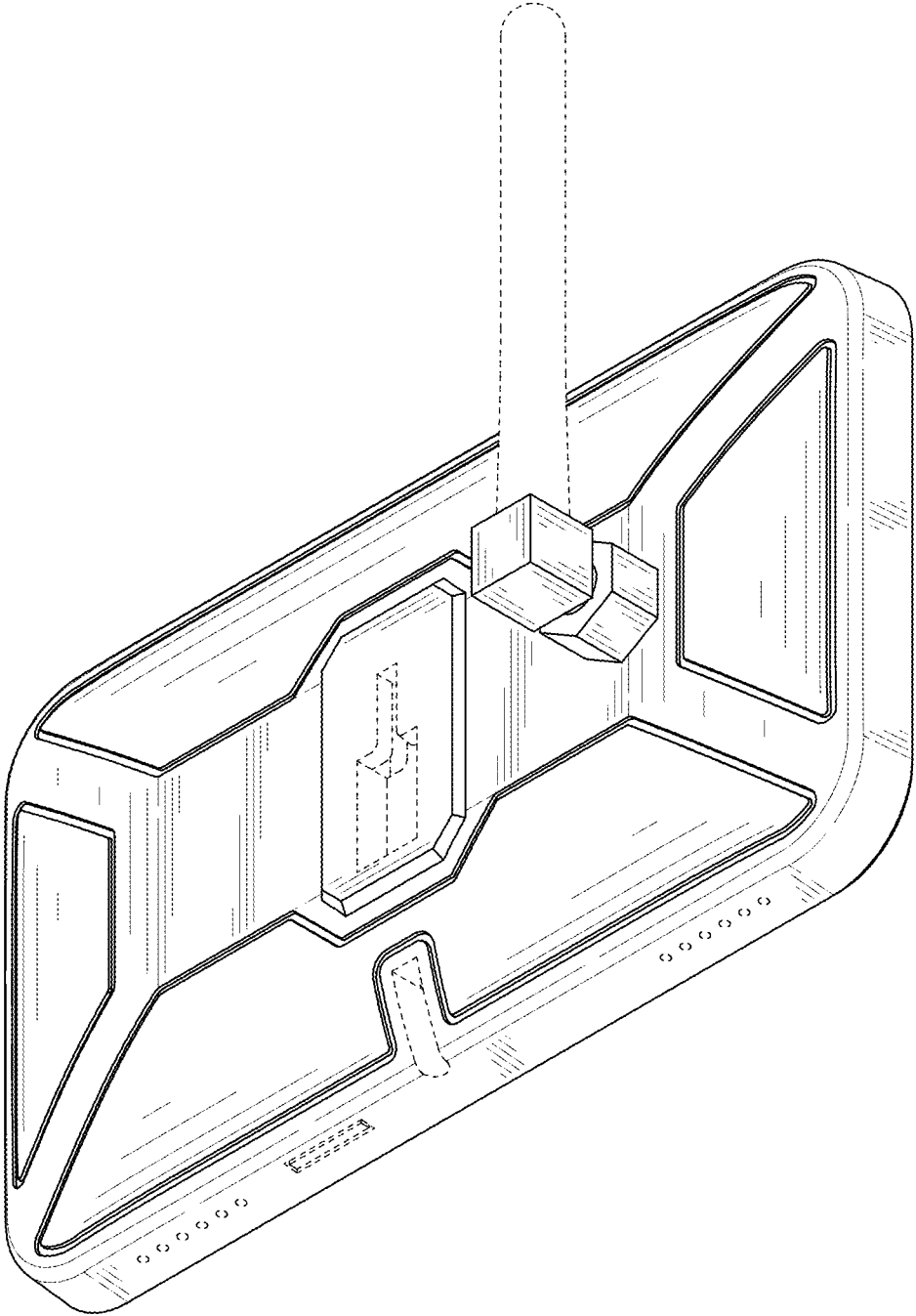


FIG. 2

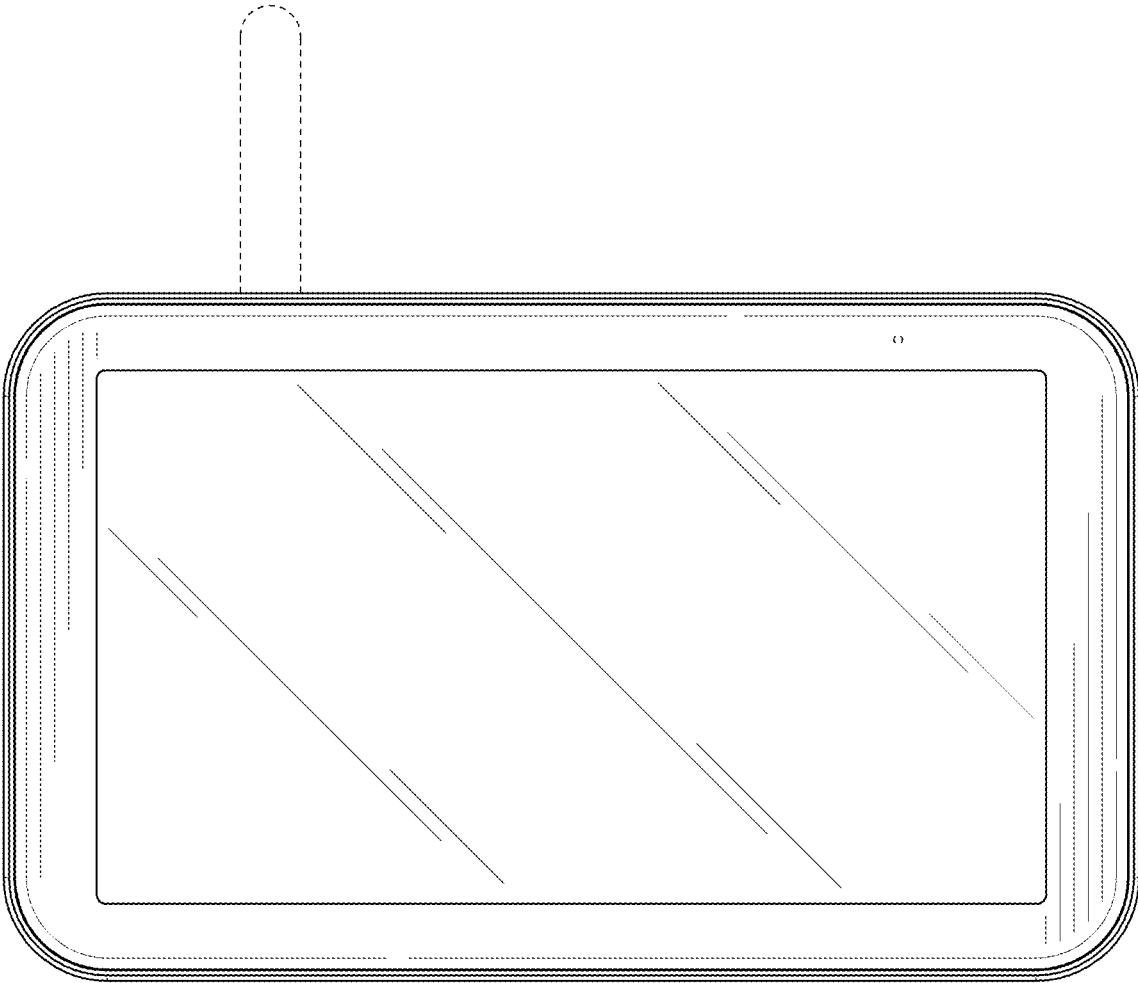


FIG. 3

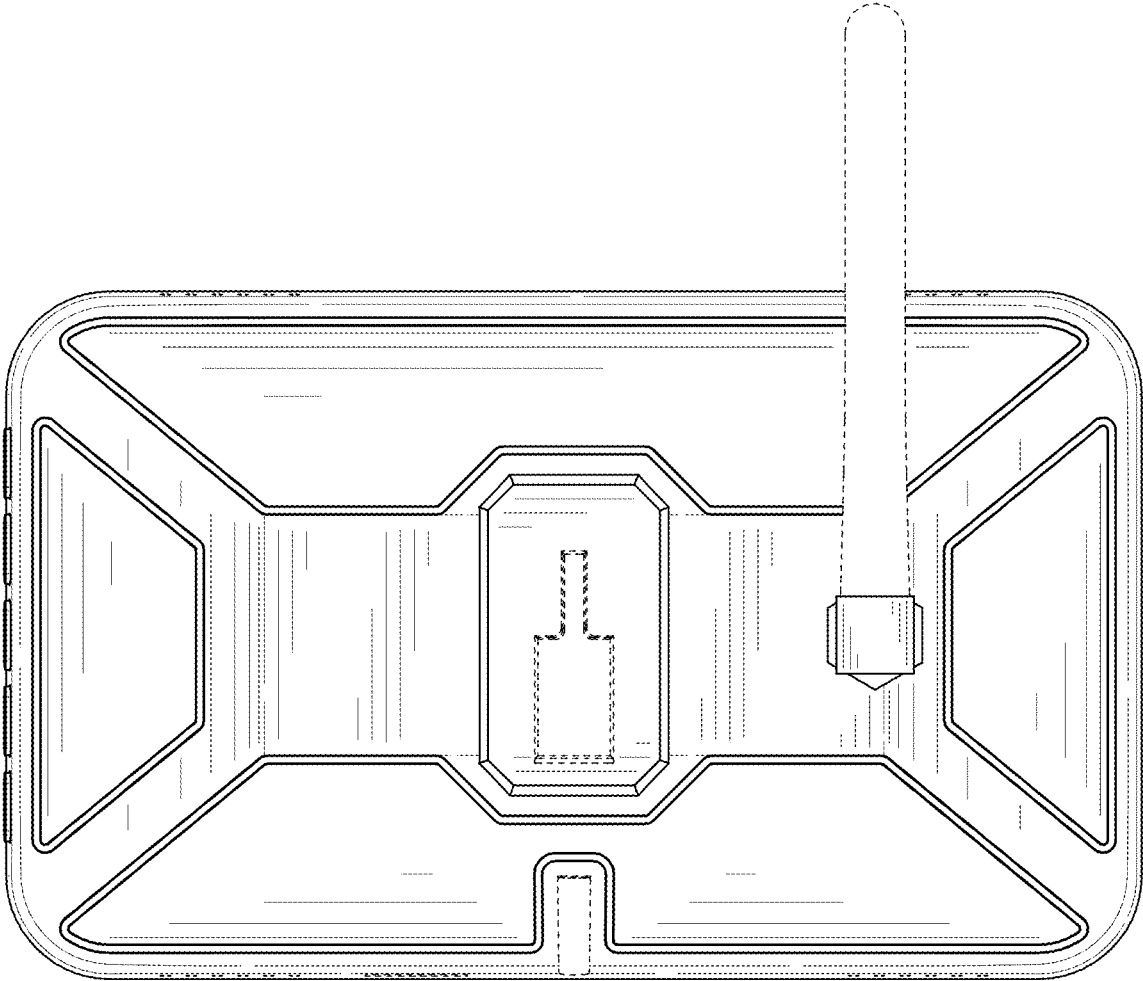


FIG. 4

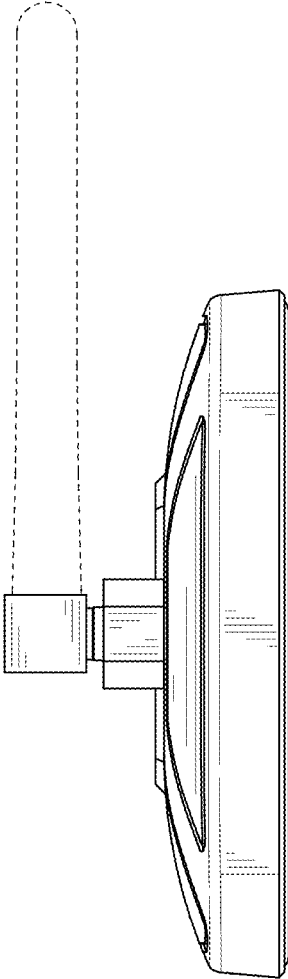


FIG. 5

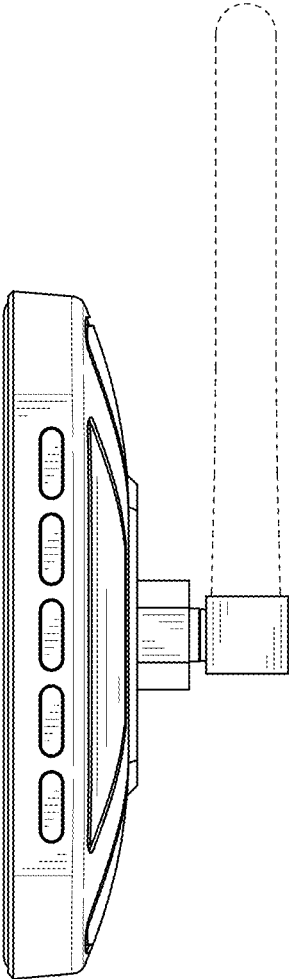


FIG. 6



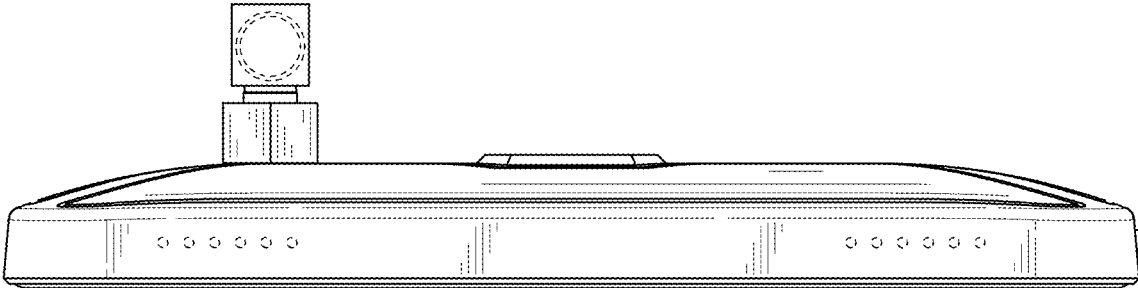


FIG. 7

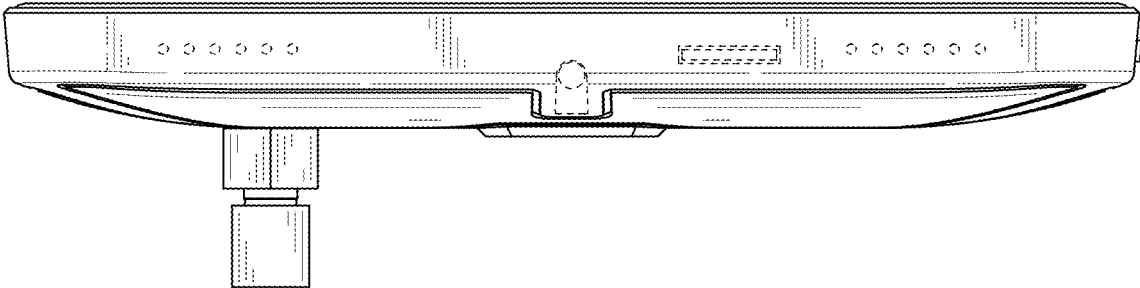


FIG. 8