



US0D1058631S

(12) **United States Design Patent**
Park

(10) **Patent No.:** **US D1,058,631 S**

(45) **Date of Patent:** **** Jan. 21, 2025**

(54) **SMART SPECTACLES**

9,706,912 B2 7/2017 Copland et al.
9,710,058 B2 7/2017 Gustafsson et al.
D794,112 S * 8/2017 Spiegel D16/326
(Continued)

(71) Applicant: **Globe Biomedical, Inc.**, Riverside, CA
(US)

(72) Inventor: **Joshua Park**, Riverside, CA (US)

(73) Assignee: **Globe Biomedical, Inc.**, Riverside, CA
(US)

(**) Term: **15 Years**

(21) Appl. No.: **29/873,802**

(22) Filed: **Apr. 7, 2023**

(51) **LOC (15) Cl.** **16-06**

(52) **U.S. Cl.**
USPC **D16/309**

(58) **Field of Classification Search**
USPC D14/372; D16/300, 306, 309, 315, 317,
D16/320, 323, 326-329; D24/110.2;
D29/102-110
CPC G02C 5/001; G02C 11/10
See application file for complete search history.

(56) **References Cited**

U.S. PATENT DOCUMENTS

6,110,110 A	8/2000	Dublin, Jr. et al.	
6,997,556 B2	2/2006	Pfleger	
7,488,294 B2	2/2009	Torch	
7,515,054 B2	4/2009	Torch	
8,929,589 B2	1/2015	Publicover et al.	
9,041,787 B2	5/2015	Andersson et al.	
9,298,007 B2	3/2016	Border	
9,532,714 B2	1/2017	Border et al.	
9,532,715 B2	1/2017	Border et al.	
9,545,197 B2	1/2017	Korb et al.	
9,552,517 B2	1/2017	Chang et al.	
9,596,391 B2	3/2017	Henderek et al.	
D785,077 S *	4/2017	Renon	D16/315

FOREIGN PATENT DOCUMENTS

AU 2017366730 5/2019
AU 2020100831 10/2020
(Continued)

OTHER PUBLICATIONS

Vimeo Blink Glasses, published May 1, 2022, [online], [site visited Jul. 23, 2024]. Available via Internet, <URL:https://vimeo.com/705020530> (Year: 2022).*

(Continued)

Primary Examiner — Sanjeev Paul
Assistant Examiner — Breana Copeland
(74) *Attorney, Agent, or Firm* — Knobbe, Martens, Olson & Bear, LLP

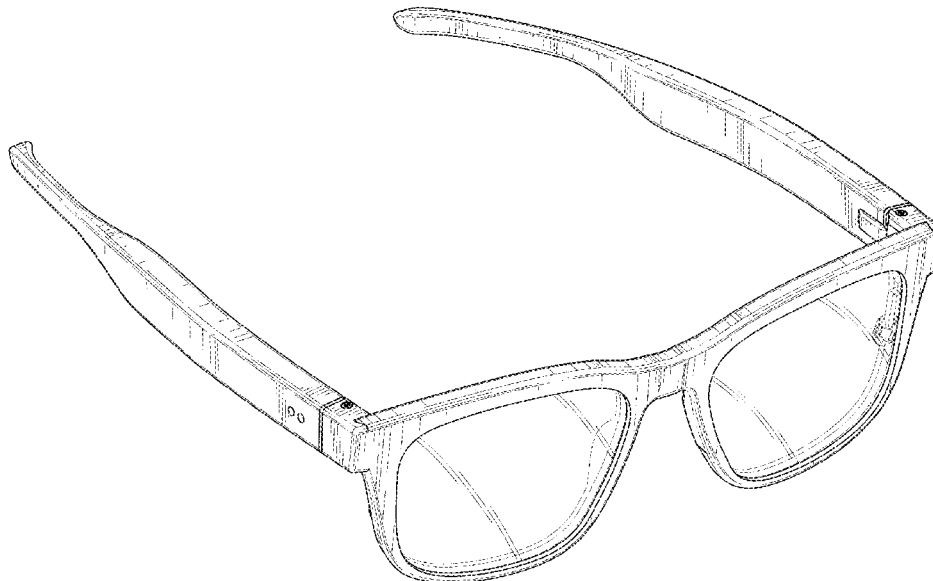
(57) **CLAIM**

The ornamental design for a smart spectacles as shown and described.

DESCRIPTION

FIG. 1 is a perspective view of a smart spectacles embodying the new designs thereof.
FIG. 2 is a top view of the smart spectacles of FIG. 1.
FIG. 3 is a bottom view of the smart spectacles of FIG. 1.
FIG. 4 is a front view of the smart spectacles of FIG. 1.
FIG. 5 is a rear view of the smart spectacles of FIG. 1.
FIG. 6 is a left side view of the smart spectacles of FIG. 1; and,
FIG. 7 is a right side view of the smart spectacles of FIG. 1.
The broken lines in the drawings are shown for the purpose of illustrating portions of the smart spectacles and form no part of the claimed design.

1 Claim, 5 Drawing Sheets



(56)

References Cited

U.S. PATENT DOCUMENTS

9,795,290 B2 10/2017 Grenon et al.
 9,832,412 B2 11/2017 Burkholz et al.
 9,836,122 B2 12/2017 Border
 9,952,664 B2 4/2018 Border et al.
 D820,347 S * 6/2018 Chae D16/335
 10,045,737 B2 8/2018 Tzieli et al.
 10,188,791 B2 1/2019 Burkholz et al.
 10,277,787 B2 4/2019 Andersson et al.
 10,307,085 B2 6/2019 Sales et al.
 10,310,597 B2 6/2019 Biedert et al.
 10,334,212 B2 6/2019 Yin et al.
 10,368,743 B2 8/2019 Gerrans et al.
 D865,041 S * 10/2019 Schaal D16/309
 10,467,470 B2 11/2019 Gustafsson et al.
 D870,193 S * 12/2019 Craig D16/326
 10,607,075 B2 3/2020 Gustafsson et al.
 10,617,342 B2 4/2020 Sales et al.
 10,686,972 B2 6/2020 Ronngren
 10,806,341 B2 10/2020 Rickard et al.
 11,073,903 B1 7/2021 Ouderkirk et al.
 11,103,122 B2 8/2021 Border
 D951,334 S * 5/2022 Cohen D16/300
 D954,808 S * 6/2022 Hao D16/326
 D958,234 S * 7/2022 Cohen D16/309
 11,619,814 B1 4/2023 Newcombe et al.
 D998,028 S * 9/2023 Ai D16/334
 D1,020,856 S * 4/2024 Cohen D16/309
 2002/0113943 A1 8/2002 Trajkovic et al.
 2011/0279666 A1 11/2011 Strombom et al.
 2012/0293773 A1 11/2012 Publicover et al.
 2013/0128364 A1 5/2013 Wheeler
 2014/0055746 A1 2/2014 Nistico et al.
 2015/0206008 A1 7/2015 Border et al.
 2018/0235465 A1 8/2018 Calpe et al.
 2019/0167095 A1 6/2019 Krueger
 2020/0359886 A1 11/2020 Azar et al.

2021/0247617 A1 8/2021 Kassner et al.
 2021/0282669 A1 9/2021 Borden et al.
 2021/0318558 A1 9/2021 Tzvieli et al.
 2022/0155860 A1 5/2022 Tzvieli et al.
 2022/0236796 A1 7/2022 Konrad et al.
 2022/0313077 A1 10/2022 Singh et al.

FOREIGN PATENT DOCUMENTS

CA 2824921 6/2019
 CN 305301981 * 8/2011
 CN 206381163 8/2017
 CN 108919517 11/2018
 CN 305453658 * 11/2019
 CN 111714341 9/2020
 CN 110262074 3/2021
 CN 113589554 11/2021
 CN 308465378 * 2/2024
 EP 3514606 7/2019
 JP 6396351 9/2018
 JP 2020-517012 6/2020
 WO WO 2020/214420 10/2020

OTHER PUBLICATIONS

Amazon OhO Bluetooth Sunglasses, earliest pictured Aug. 14, 2023, [online], [site visited Jul. 23, 2024]. Available via Internet, <URL:https://www.amazon.com/OhO-Bluetooth-Sunglasses-Control-Polarized/dp/B0CJ32JFS7> (Year: 2023).*

RayBan Smart Glasses, earliest pictured Jul. 21, 2021, [online], [site visited Jul. 23, 2024]. Available via Internet, <URL:https://www.amazon.com/dp/B09B19TJNB> (Year: 2021).*

Google Search, [online], [site visited Jul. 23, 2024]. Available via Internet, <URL:https://www.google.com/search?q=ocular+health+smart+glasses&sca_esv=6dff3b47ea39d1e5&sca_upv=1&rlz=1C1GCEA_enUS1049US1049&> (Year: 2024).*

* cited by examiner

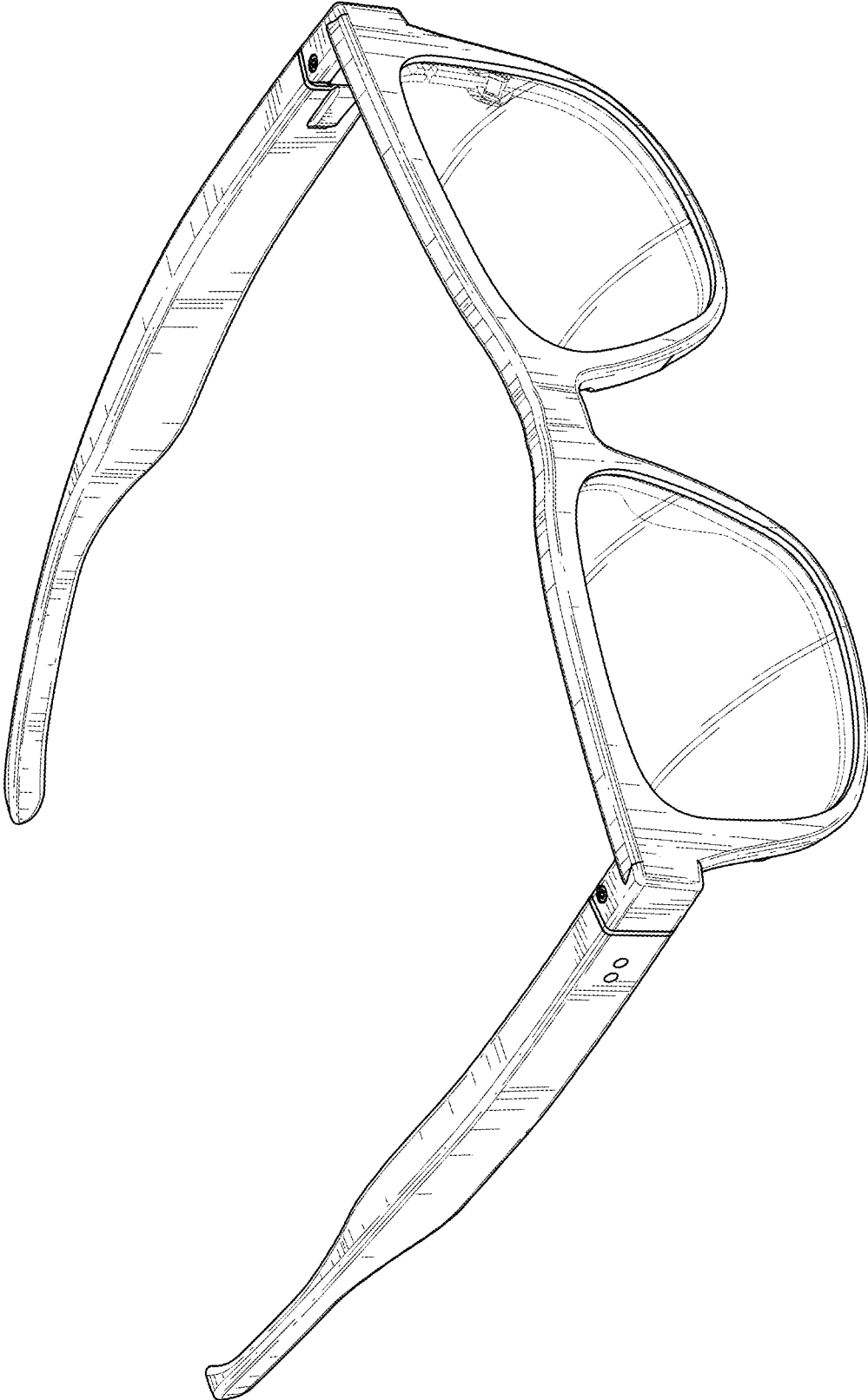


FIG. 1

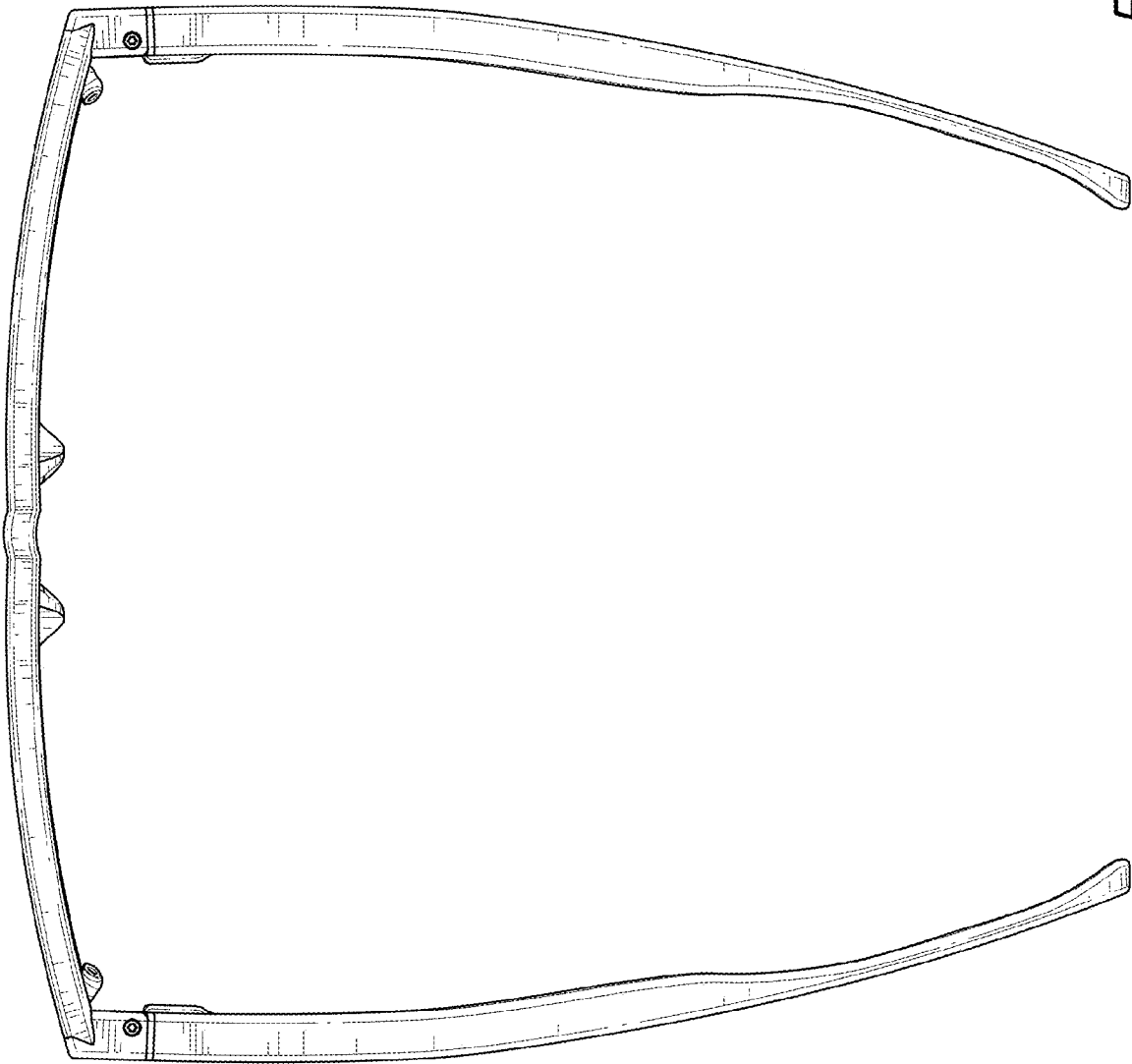


FIG. 2

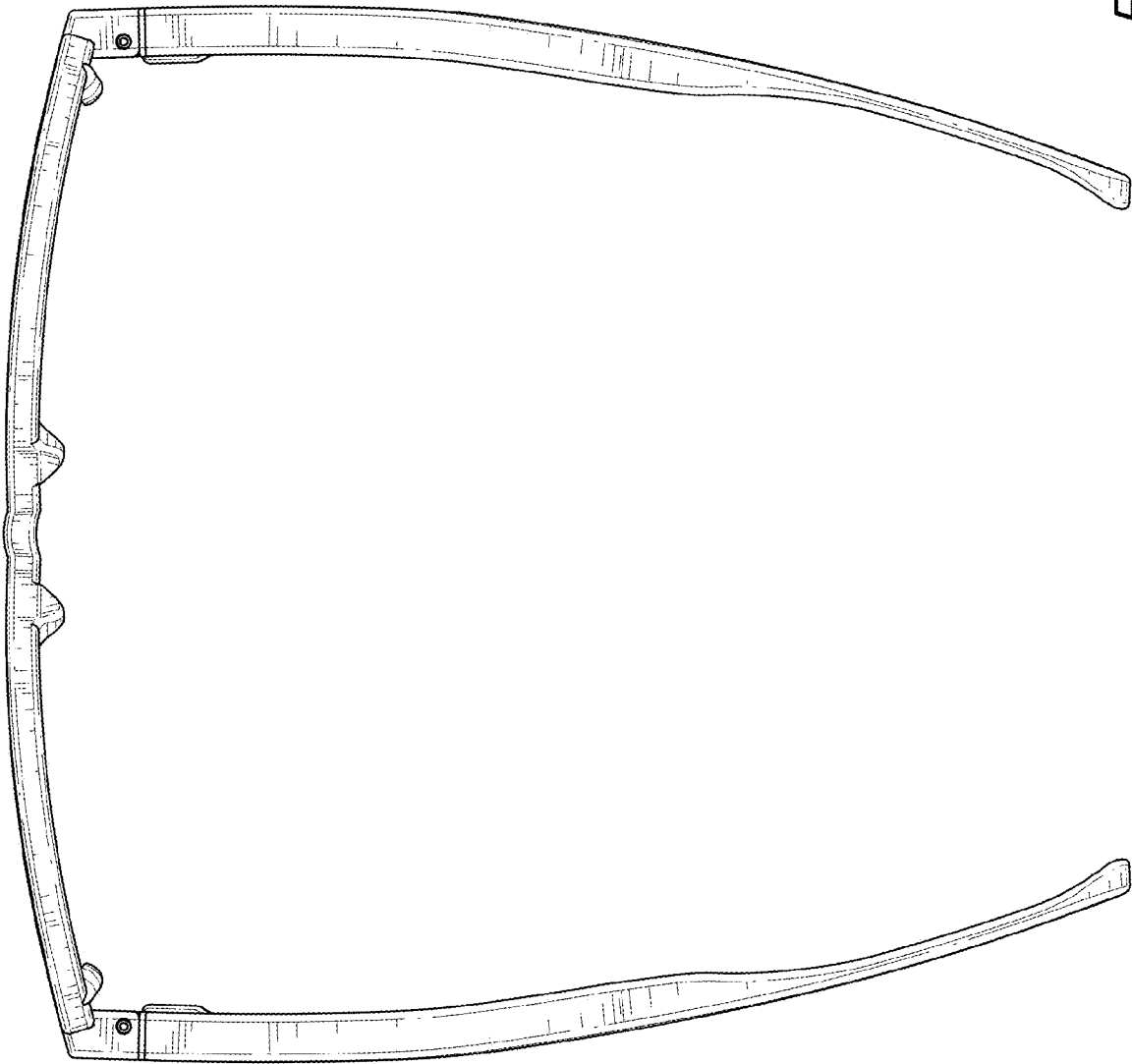


FIG. 3

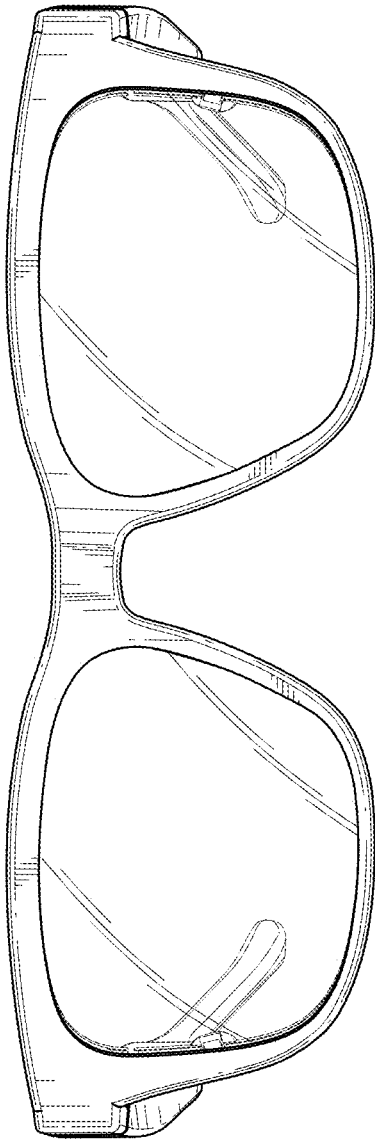


FIG. 4

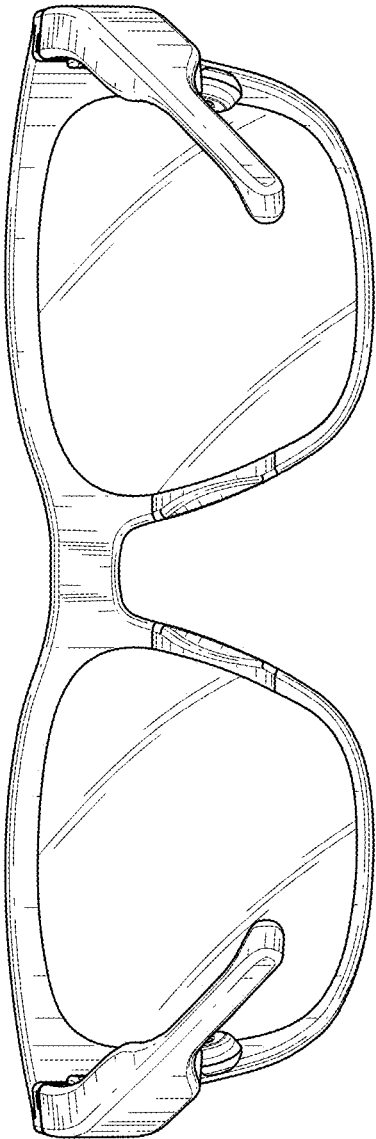


FIG. 5

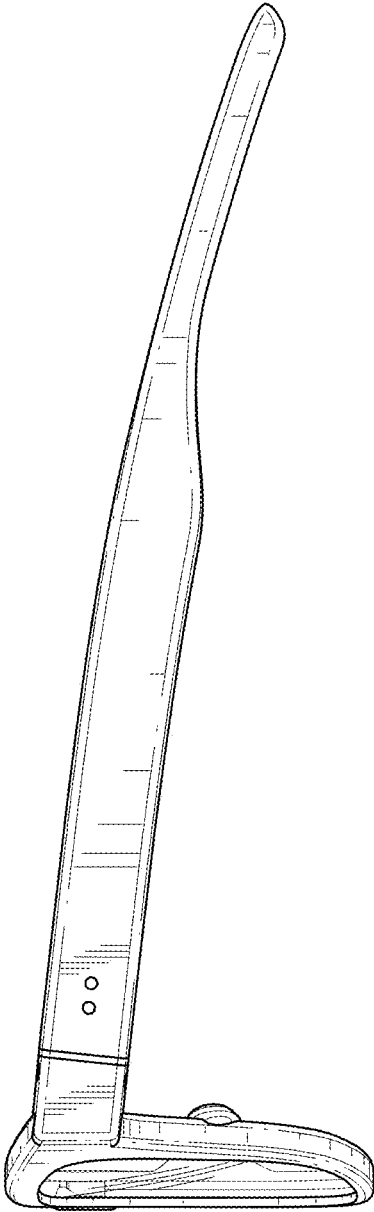


FIG. 6

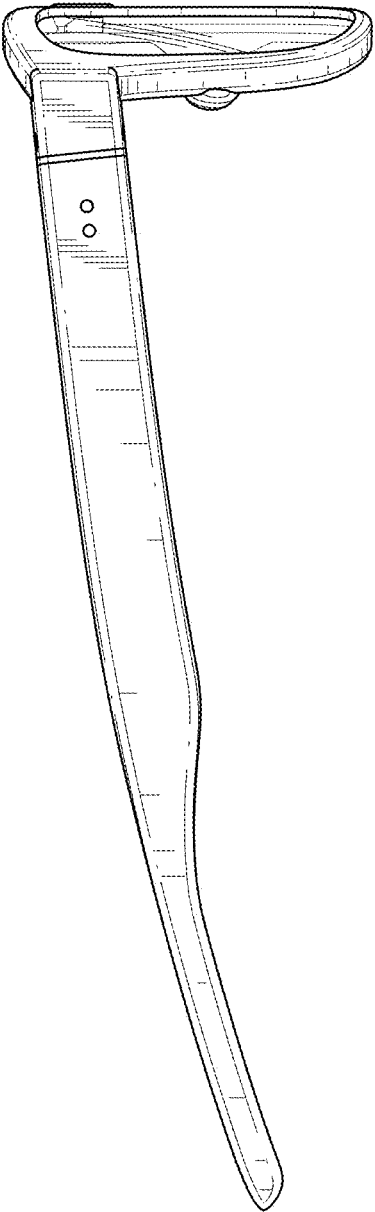


FIG. 7