

[54] **CHILD'S SAFETY SEAT FOR AN AUTOMOBILE**

3,922,035 11/1975 Wener 297/250
3,948,556 4/1976 Hyde et al. 297/250
4,033,622 7/1977 Boudreau D6/333 X

[75] **Inventor: Kenzou Kassai, Osaka, Japan**

Primary Examiner—Bruce W. Dunkins
Attorney, Agent, or Firm—W. G. Fasse; D. H. Kane, Jr.

[73] **Assignee: Aprica Kassai Kabushikikaisha, Osaka, Japan**

[57] **CLAIM**

[**] **Term: 14 Years**

The ornamental design for a child's safety seat for an automobile, as shown.

[21] **Appl. No.: 621,804**

[22] **Filed: Jun. 18, 1984**

DESCRIPTION

[30] **Foreign Application Priority Data**

Mar. 8, 1984 [JP] Japan 59-9187
[52] **U.S. Cl.** **D6/333**
[58] **Field of Search** **D6/333, 334, 338;**
297/273, 274, 276, 277, 254, 256, 454, 457, 250

FIG. 1 is a front elevational view of a child's safety seat for automobile showing my design;
FIG. 2 is a rear elevational view thereof;
FIG. 3 is a top plan view thereof;
FIG. 4 is a bottom plan view thereof;
FIG. 5 is a left side elevational view thereof;
FIG. 6 is a right side elevational view thereof;
FIG. 7 is a perspective view thereof;
FIG. 8 is a front perspective view showing the backrest in a reclining position; and
FIG. 9 is a front perspective view wherein the safety guard has been pivoted forward to an alternate position.

[56] **References Cited**

U.S. PATENT DOCUMENTS

D. 244,325 5/1977 Voytko D6/333
D. 278,483 4/1985 Takada D6/333

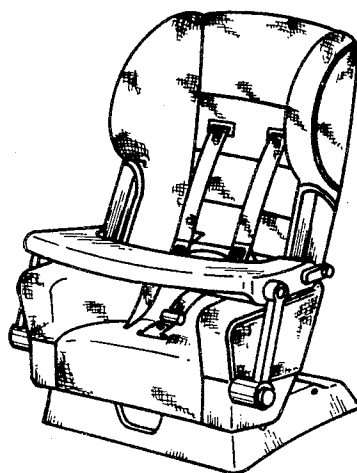


FIG. 1

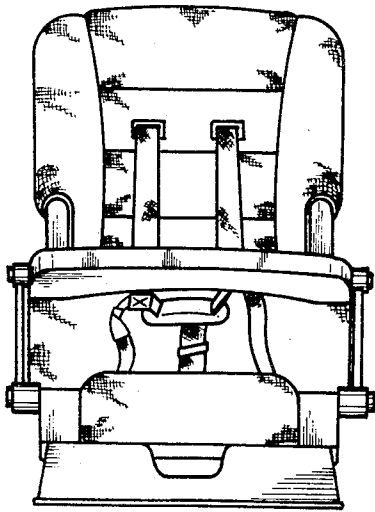


FIG. 2

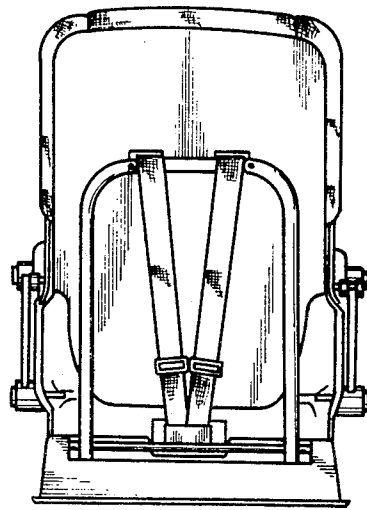


FIG. 3

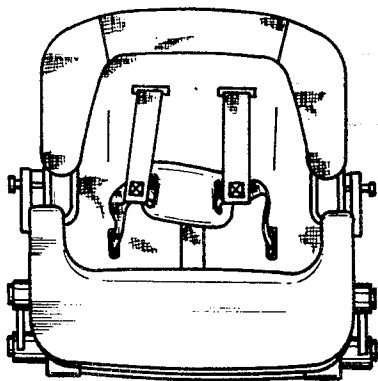


FIG. 4

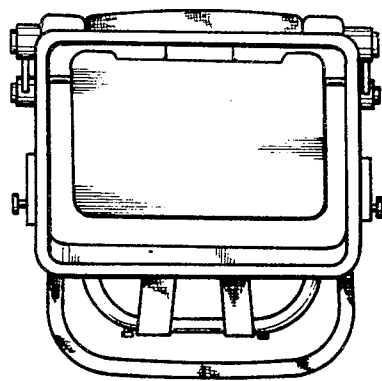


FIG. 5

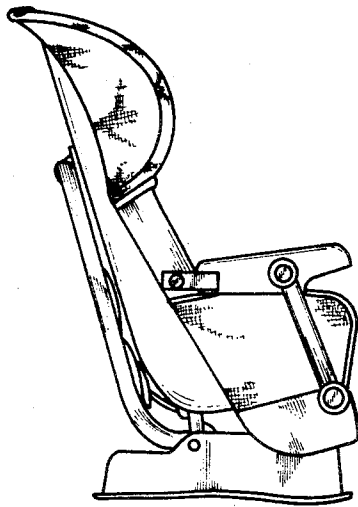


FIG. 6

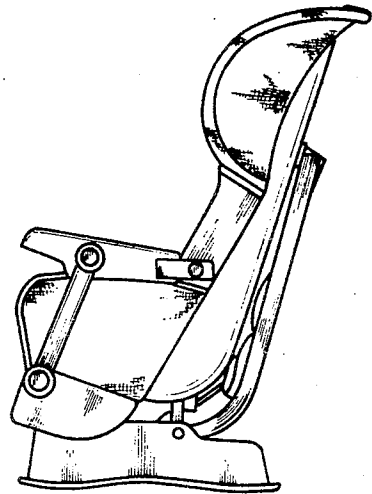


FIG. 7

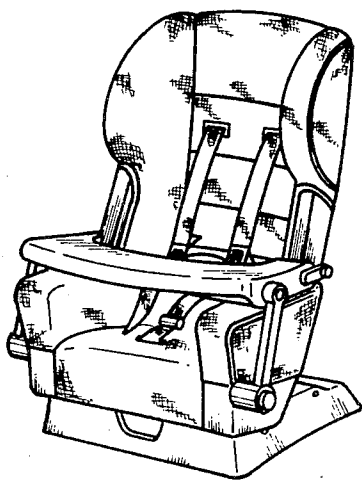


FIG. 8

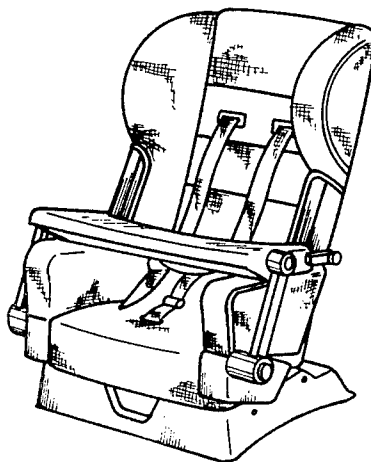


FIG. 9

