



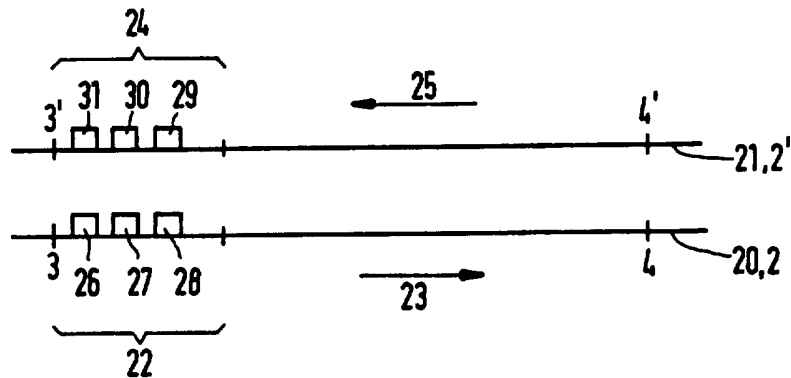
INTERNATIONAL APPLICATION PUBLISHED UNDER THE PATENT COOPERATION TREATY (PCT)

<p>(51) International Patent Classification ⁶ : G11B 27/28, 7/00, 7/24</p>	<p>A2</p>	<p>(11) International Publication Number: WO 96/19807 (43) International Publication Date: 27 June 1996 (27.06.96)</p>
<p>(21) International Application Number: PCT/IB95/01099 (22) International Filing Date: 6 December 1995 (06.12.95) (30) Priority Data: 94203677.3 19 December 1994 (19.12.94) EP (34) Countries for which the regional or international application was filed: NL et al. 95202491.7 14 September 1995 (14.09.95) EP (34) Countries for which the regional or international application was filed: NL et al. (71) Applicant: PHILIPS ELECTRONICS N.V. [NL/NL]; Groenewoudseweg 1, NL-5621 BA Eindhoven (NL). (71) Applicant (for SE only): PHILIPS NORDEN AB [SE/SE]; Kottbygatan 5, Kista, S-164 85 Stockholm (SE). (72) Inventors: MONS, Johannes, Jan; Groenewoudseweg 1, NL-5621 BA Eindhoven (NL). BODT, Hendrik; Groenewoudseweg 1, NL-5621 BA Eindhoven (NL). (74) Agent: VISSER, Derk; Internationaal Octrooibureau B.V., P.O. Box 220, NL-5600 AE Eindhoven (NL).</p>		<p>(81) Designated States: CN, JP, KR, European patent (AT, BE, CH, DE, DK, ES, FR, GB, GR, IE, IT, LU, MC, NL, PT, SE). Published <i>Without international search report and to be republished upon receipt of that report.</i></p>

(54) Title: MULTILAYER RECORD CARRIER AND DEVICE FOR SCANNING SAID CARRIER

(57) Abstract

A record carrier provided with at least two parallel information layers (20, 21) suitable to be scanned by means of a single scanning head is described. Each information layer is provided with a control block (26, 31) in which information is stored which can be used for reading the user information stored in this information layer. The control blocks are placed in the record carrier in such a way that they can be sequentially read by means of a scanning device, with a minimum displacement of the scanning head. The user information may be stored in a first format in the first information layer, and the same user information may be stored in a second format in a second information layer. The first format may be a low-density structure and the second format may be a high-density structure.



FOR THE PURPOSES OF INFORMATION ONLY

Codes used to identify States party to the PCT on the front pages of pamphlets publishing international applications under the PCT.

AT	Austria	GB	United Kingdom	MR	Mauritania
AU	Australia	GE	Georgia	MW	Malawi
BB	Barbados	GN	Guinea	NE	Niger
BE	Belgium	GR	Greece	NL	Netherlands
BF	Burkina Faso	HU	Hungary	NO	Norway
BG	Bulgaria	IE	Ireland	NZ	New Zealand
BJ	Benin	IT	Italy	PL	Poland
BR	Brazil	JP	Japan	PT	Portugal
BY	Belarus	KE	Kenya	RO	Romania
CA	Canada	KG	Kyrgystan	RU	Russian Federation
CF	Central African Republic	KP	Democratic People's Republic of Korea	SD	Sudan
CG	Congo	KR	Republic of Korea	SE	Sweden
CH	Switzerland	KZ	Kazakhstan	SI	Slovenia
CI	Côte d'Ivoire	LI	Liechtenstein	SK	Slovakia
CM	Cameroon	LK	Sri Lanka	SN	Senegal
CN	China	LU	Luxembourg	TD	Chad
CS	Czechoslovakia	LV	Larvia	TG	Togo
CZ	Czech Republic	MC	Monaco	TJ	Tajjikistan
DE	Germany	MD	Republic of Moldova	TT	Trinidad and Tobago
DK	Denmark	MG	Madagascar	UA	Ukraine
ES	Spain	ML	Mali	US	United States of America
FI	Finland	MN	Mongolia	UZ	Uzbekistan
FR	France			VN	Viet Nam
GA	Gabon				

Multilayer record carrier and device for scanning said carrier.

The invention relates to a record carrier suitable to be scanned by means of a single scanning head and provided with at least two substantially parallel information layers. Each information layer may comprise information independently of the information contents of other information layers. The information layers may coincide or be separated
5 from each other by a spacer layer. The invention also relates to a scanning device for scanning such a record carrier. During scanning, information can be written, read or erased.

A record carrier of the type described above is known from United States
10 Patent no. 3,855,426. The known record carrier comprises two or more information layers which are separated by spacer layers. An optical scanning device provided with a single scanning head can read one of the information layers by scanning the layer by means of a focused radiation beam from the scanning head. A subjacent or superjacent information layer can be read by means of the same radiation beam by displacing the focus of the radiation
15 beam in a direction perpendicular to the information layer and by positioning it on the desired layer. Due to this mode of serial reading, the collection of information layers in the record carrier can be regarded as a single uninterrupted information area. This is in contrast to a multilayer record carrier which has a scanning head for each information layer. The information areas of the information layers are then read in parallel and should be regarded
20 as separate areas.

There is a need for a multilayer record carrier suitable to be scanned by means of a single scanning head and provided with control information, i.e. information which can be used for reading and/or writing user information in the record carrier. The control information may comprise general data about user information, such as the name of
25 manufacturer of the record carrier, the author of the stored user information, data about encryption, maximum radiation power during writing, reading and/or erasing, and reallocation tables. The control information may also comprise a table of contents indicating the locations in an information area where given parts of the information are stored.

It is an object of the invention to provide a multilayer record carrier which is provided with control information.

5 In accordance with a first aspect of the invention, the record carrier according to the invention is characterized in that each layer comprises a block of control information having information for scanning said layer.

It is known from the standard for the single-layer record carrier Compact Disc, document IEC 908 to place a block of control information at the start of the
10 information area. When the block of control information is placed on the multilayer record carrier in a similar manner, this will lead to one block of control information at the start of the information area. Consequently, a relatively large block of control information comprising data about all information layers is present at the start of the first information layer. Since the size of the block is dependent on the quantity of stored information, and
15 hence on the number of information layers, the size of the block will also increase as the number of information layers increases. Consequently, the space available for user information on the first information layer will decrease. When information is written in the record carrier, it can thus no longer be assumed that an area per information layer having a given minimum size is available for user information. This is a drawback when planning the
20 way in which the information to be written should be distributed on the different information layers.

The record carrier according to the invention obviates this drawback by providing each information layer with a block of control information having data relating to said layer. For a larger number of information layers, the area of each layer available for
25 user information may remain equal.

A particular embodiment of the record carrier according to the invention is characterized in that the blocks substantially have the same physical location in the plane of the different layers. Consecutive blocks of the information layers can quickly be read one after the other by moving the scanning head to the next information layer over a relatively
30 small distance in a direction perpendicular to the information layers without having to move the scanning head over a relatively large distance in the plane of the information layer.

To be able to scan the user information in the consecutive layers rapidly one after the other, a special embodiment of the record carrier according to the invention is characterized in that user information in one of the layers is sequentially ordered in a given

direction in the layer, and in that the user information in another layer is sequentially ordered in the opposite direction. In a disc-shaped record carrier, the user information in a given, first information layer is then recorded, for example from the inner edge to the outer edge and in the next, second information layer from the outer edge to the inner edge. After the information in the first layer has been read, the scanning head only needs to be moved over a relatively small distance to the second information layer so as to read the information in this layer. If the block of control information for the second layer were placed at the customary position, i.e. at the start of the information, then the block would be located at the outer edge of the second information layer, hence not proximate to the block of the first layer. For reading the two blocks one after the other, a relatively large displacement in the plane of the information layer is preferably at the inner edge of the information layer, below or above the block of the first layer. Rapid accessibility of the control information of the different information layers can then be realised.

At least one of the blocks of user information preferably has an indication about the number of information layers in the record carrier. With this information, which is not related to a specific information layer, the scanning device can determine on which information layer the focus spot is positioned.

In a special embodiment of the record carrier according to the invention, at least one of the blocks comprises a sub-block having a global indication about user information stored in the layers. With this information it can be determined in which information layer the information to be read is stored, whereafter the block with the control information on this layer can be read so as to determine the position of the information on the indicated layer.

The invention also relates to a scanning device for scanning a record carrier according to the invention. According to the invention, this device is provided with means for sequentially reading the blocks of control information before reading the user information. After the blocks have been read, information is available for scanning all information layers in the record carrier. For example, the location of all parts of information stored on the record carrier will be known from the tables of contents and the user information to be read can be searched without further reading control information in the blocks.

A second aspect of the invention relates to the distribution of user information on the different information layers. In accordance with this aspect, the record

carrier is provided with at least two substantially parallel information layers, in which a first information layer comprises user information in a first format and a second information layer comprises the same user information in a second format. The first format may be a low-density structure and the second format may be a high-density structure. This provides the possibility of reading the same user information by means of different types of playback devices, with each playback device being suitable for playing back one of the formats. In an embodiment of the record carrier according to the invention, this distribution of the user information is combined with the distribution of the user information on the information layers in accordance with the first aspect of the invention. It can thereby be avoided that a relatively large part of an information layer having a low-density structure is occupied by control information related to other information layers.

These and other aspects of the invention will be apparent from and elucidated with reference to the embodiment described hereinafter.

In the drawings:

Fig. 1 shows a record carrier having two information layers according to the invention,

Fig. 2 shows a record carrier and a scanning device,

Fig. 3 shows information areas of two superjacent information layers,

Fig. 4 shows a division of a control block, and

Fig. 5 shows a flow chart for reading a record carrier.

Fig. 1 shows a disc-shaped record carrier 1. The elevational view shows one of the information layers of the record carrier, with an information area 2 bounded by a circular inner edge 3 and a circular outer edge 4. The information can be stored in, for example circular or spiral tracks in the information layer, in which the information is sequentially ordered from the inner edge to the outer edge of the information area, or conversely. The information may be divided, for example into sectors in which the ordinal number of the sectors increases from the inner edge to the outer edge.

Fig. 2 is a cross-section of the record carrier 1 and a scanning head of a scanning device 10 for optically scanning the information stored in the record carrier. The record carrier 1 has a transparent substrate 5 provided with a first information layer 6 and a

second information layer 8 parallel thereto, separated by a transparent spacer layer 7.

Although only two information layers are shown in this embodiment of the record carrier, the number of information layers may be more than two. The spacer layer may be omitted so that the first and second information layers coincide. By storing the information in the first and second layers in a different manner in this case, the information in the first and second layers can be distinguished during reading. The information in the first layer may be stored, for example in a phase structure, while the information in the second information layer is stored in a magnetization structure. It is also possible to store the two types of information in areas which must be read at different wavelengths.

10 The scanning device 10 comprises a radiation source 11, for example a diode laser which generates a radiation beam 12. The radiation beam is formed to a focusing spot 15 via a beam splitter 13, for example a semitransparent plate, and a lens system 14, for example an objective lens. The focusing spot can be placed on any desired information layer by moving the objective lens 14 along its optical axis, as is denoted by the arrow 16. Since 15 the first information layer 6 is partially transmissive, the radiation beam can be focused through this layer on the second information layer 8. By rotating the record carrier 1 about its centre and by displacing the focusing spot in a direction perpendicular to the tracks in the plane of the information layer, the entire information area 2 of an information layer can be scanned by the focusing spot. The radiation reflected by an information layer is modulated by 20 the stored information into, for example intensity or direction of polarization. The reflected radiation is guided by the objective lens 14 and the beam splitter 13 towards a detection system 17 which converts the incident radiation into one or more electric signals. One of the signals, the information signal, has a modulation which is related to the modulation of the reflected radiation, so that this signal represents the information which has been read. Other 25 electric signals indicate the position of the focusing spot 15 with respect to the track to be read. The latter signals are applied to a servosystem 18 which controls the position of the objective lens 14 and hence the position of the focusing spot 15 in the plane of the information layers and perpendicularly thereto in such a way that the focusing spot follows the desired track in the plane of an information layer to be scanned.

30 Fig. 3 shows diagrammatically the information area 2 of the information layer 6 in the form of a straight line 20 which extends from the inner edge 3 to the outer edge 4. The line 21 shown above it represents the information area 2' of the information layer 8, extending from an inner edge 3' to an outer edge 4'. Superjacent parts of the lines 20 and 21 are also superjacent in the record carrier 1. At the start of information area 2, i.e.

the side of the inner edge 3 of line 20, a control area 22 is reserved for storage of control information. The user information is stored in the area located between the control area 22 and the outer edge 4. The direction in which the user information is stored is denoted by the arrow 23. According to the invention, a control area 24 located above the control area 22 is also reserved in the information area 2'. The user information is stored in the area between the outer edge 4' and the control area 24, the information being sequentially ordered in a direction denoted by an arrow 25 which has a direction opposite to that denoted by arrow 23. The opposite direction of ordering can be realised by providing the information layer 6 with a spiral, outwardly extending track and by providing the information layer 8 with a spiral, inwardly extending track. The user information can then be read by scanning the information area 2 of the information layer 6 from the inner edge 3 to the outer edge 4, displacing the focusing spot from the information layer 6 to the information layer 8, and scanning the information area 2' from the outer edge 4' to the inner edge 3'. The information, ordered in the opposite direction, in the information layers 6 and 8 can be read rapidly one after the other because the focusing spot can be displaced reasonably rapidly from the one to the other information layer in comparison with a displacement of the focusing spot from the outer edge of one information layer to the inner edge of another information layer. In the latter displacement, the time required to change the rotational speed of the record carrier, if this record carrier is of the constant linear velocity type, should also be taken into account.

The control area 22 comprises various blocks with control information, also referred to as control blocks, each having the same contents. Three of such blocks 26, 27, 28 are shown in the embodiment of Fig. 3. The block is stored three times so as to be able to read the contents in one of the two other blocks if the contents of a block are unreadable because it contains more errors than can be restored by means of a possibly present error-correcting circuit and an error-correcting code stored on the record carrier. The control area 24, located according to the invention above the control area 22, also comprises three control blocks 29, 30 and 31 with control information for the information layer 8, the information within a block being sequentially ordered in the direction of the arrow 25.

Fig. 4 diagrammatically shows the division of the control block 26 for the first information layer 6. The block 26 comprises a first sub-block 32 with information about the record carrier as a whole. The information may comprise a type indication of the record carrier, an indication of the number of information layers and the number of blocks of user information in the record carrier, parameters for the radiation beam for writing and reading,

information about encryption of the stored information, a table of contents with a global indication of the user information stored in each layer, data relating to a group of record carriers of which this record carrier forms part, and indications of the publisher and manufacturer.

5 A second sub-block 33 of the control block 26 comprises information about the information layer on which this block is written. It has, inter alia an indication of the ordinal number of the layer, the number of blocks with user information on the layer and an indication of the type of user information.

10 A third sub-block 34 of the control block 26 comprises a table of contents of the information layer on which the control block has been written. The table of contents indicates the initial and final address of each block of associated user information, a short indication of the user information in each block or an address having such an indication.

15 A fourth sub-block 35 of the control block 26 comprises a reallocation table in which reference addresses are mentioned for unwritable and unreadable sectors in the information layer. The fourth sub-block is only necessary on writable media. The control block 26 on the first information layer 6 comprises all of said sub-blocks, while the control blocks on other information layers comprise the second, third and possibly fourth sub-blocks. The other information layers may also comprise a first sub-block.

20 The scanning device 10 shown in Fig. 2 is suitable for sequentially reading the blocks of control information before reading the user information. To this end the scanning device comprises means for causing the focusing spot to follow a track, for example in the form of the above-mentioned servosystems, and to displace the focusing spot from one to the other information layer. The last-mentioned displacement of the focusing spot can be realised by means of the servosystem which retains the focusing spot on an information
25 layer.

 The means also comprise a control unit 36 which controls, inter alia the servosystem 18. The control unit operates in accordance with a control program which controls the scanning device in such a way that after correct reading of a control block in the information layer 6 the user information in this layer is not read first, but the focusing spot is
30 displaced towards the information layer 8 in which it reads a control block for this layer. The flow chart of such a control program is shown in Fig. 4 for reading blocks of user information on a record carrier according to the invention. In a first step 37, the focusing spot 15 is placed on the first information layer 6 via the servosystem 18. In a second step 38, the information in the control block 26 on this layer is read. The information comprises the

total number of layers N and the ordinal number i of the instantaneously read layer. If $i \neq N$, i.e. all layers have not been read yet, the focusing spot is placed in step 39 on the next information layer and the associated control block is read. If $i = N$, all control information has been read. With reference to the information in all control blocks which have been read, 5 it is determined in step 40 which information layer comprises the first block of user information to be read. In step 41, the focusing spot is placed on the relevant information layer and in step 42 it is placed on the location of the block of user information in this layer, whereafter the information in the block is read. If more blocks with user information must be read, the control program returns to step 40 so as to determine the location of the next block 10 from the control information which has already been read.

The control program may also be used for writing and erasing information in the record carrier. During writing it is determined in step 40 where and on which information layer the block of user information can be written. When subsequently sectors have to be reallocated during writing in said area due to defects in the record carrier, the 15 relevant addresses can be noted in the reallocation table of the control block of the written layer. During erasing, it is determined in step 40 where and on which layer the information to be erased has been written, whereafter the relevant area is erased.

In many scanning devices, the focusing spot is displaced in the radial direction of the record carrier by means of a two-stage displacement system which forms part 20 of the servosystem 18. The first stage is a relatively slow and large displacement of a slide, the second stage is a relatively small and rapid displacement of the objective lens 14 in the radial direction. For rapid reading of a control block, the radial dimension of a block and preferably the control area is smaller than the maximum radial displacement of the focusing spot 15 caused by the objective lens. This maximum displacement is usually of the order of 25 $100 \mu\text{m}$. At a given radius of the control area, the distance between the tracks and information density in the tracks of the record carrier 1, this yields a content of approximately 1 megabyte per control block. If the control information of all information layers should be stored in a single block of 1 megabyte on the information layer 6, it will be evident that space problems are produced in the block when a large number of layers is used. 30 The invention solves this problem by placing the control information associated with an information layer in a block on the information layer itself. The division of other information layers and hence the size of the area for user information can now be independent of the number of information layers.

The record carrier as shown in Fig. 2 is suitable for storing information in

two different formats. The term 'format' comprises the organization structure of the information, its coding and the physical mode of storage. User information, for example in the form of a piece of music coded in accordance with the 16-bit Compact Disc Digital Audio standard may be stored on the first information layer 6. The same piece of music
5 then, however, coded for a higher sound quality in accordance with, for example a 24-bit code may be stored on the second information layer 8. The information in the second information layer may be stored in a structure of, for example pits having a higher density than the information in the first information layer, so that both pieces of music physically occupy an equal quantity of space. It is now possible to read the record carrier by means of a
10 Compact Disc player which scans the first information layer, and by means of a high-density player which scans the second information layer and then generates a higher quality of music than the Compact Disc player. The record carrier is thus compatible for the Compact Disc player and the high-density player. If the space in the second information layer is sufficiently large, the user information can be stored in different formats in this information layer, for
15 example, in a 24-bit code and in the multichannel audio format known in the world of cinema. Dependent on the playback devices which are present and available, a choice can then be made between the different formats in which the information is stored. Another possibility is to store a film having one or more sound tracks in the second information layer and further information layers, if any, and to store one of the sound tracks, for example with
20 music of the film, in the first information layer. It will then be possible to play back the film on a video player and to play back the music of this film on an audio player.

It will be evident that said mode of storing information is not limited to record carriers in which control blocks are provided in the manner described hereinbefore, and is neither limited to record carriers which are only suitable to be read by means of a
25 single scanning head.

It will also be evident that the use of the invention is not limited to disc-shaped record carriers but is also suitable for, for example rectangular record carriers such as memory cards. Although the invention has been explained with reference to an optical record carrier, it will be evident that the invention may alternatively be used for any type of
30 multilayer record carrier which can be read by means of a single scanning head.

CLAIMS:

1. A record carrier suitable to be scanned by means of a single scanning head and provided with at least two substantially parallel information layers, characterized in that each layer comprises a block of control information having information for scanning said layer.
- 5 2. A record carrier as claimed in Claim 1, characterized in that the blocks substantially have the same physical location in the plane of the different layers.
3. A record carrier as claimed in Claim 1, characterized in that user information in one of the layers is sequentially ordered in a given direction in the layer, and in that the user information in another layer is sequentially ordered in the opposite direction.
- 10 4. A record carrier as claimed in Claim 1, 2 or 3, characterized in that one of the blocks has an indication about the number of information layers in the record carrier.
5. A record carrier as claimed in Claim 1, 2 or 3, characterized in that at least one of the blocks comprises a sub-block having a global indication about user information stored in the layers.
- 15 6. A record carrier as claimed in any one of the preceding Claims, characterized in that said carrier is disc-shaped.
7. A record carrier as claimed in any one of the preceding Claims, characterized in that said carrier is an optical record carrier.
8. A scanning device for scanning a record carrier as claimed in any one of
20 the preceding Claims, characterized in that the device is provided with means for sequentially reading the blocks of control information before reading or writing user information.
9. A record carrier provided with at least two substantially parallel information layers, characterized in that a first information layer comprises user information in a first format and a second information layer comprises the same user information in a
25 second format.
10. A record carrier as claimed in Claim 9, characterized in that the second information layer comprises the user information also in a third format.
11. A record carrier as claimed in Claim 9, characterized in that, in addition to said user information, the second information layer comprises further user information.

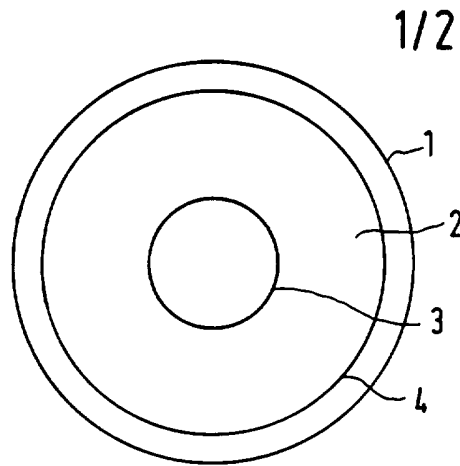


FIG. 1

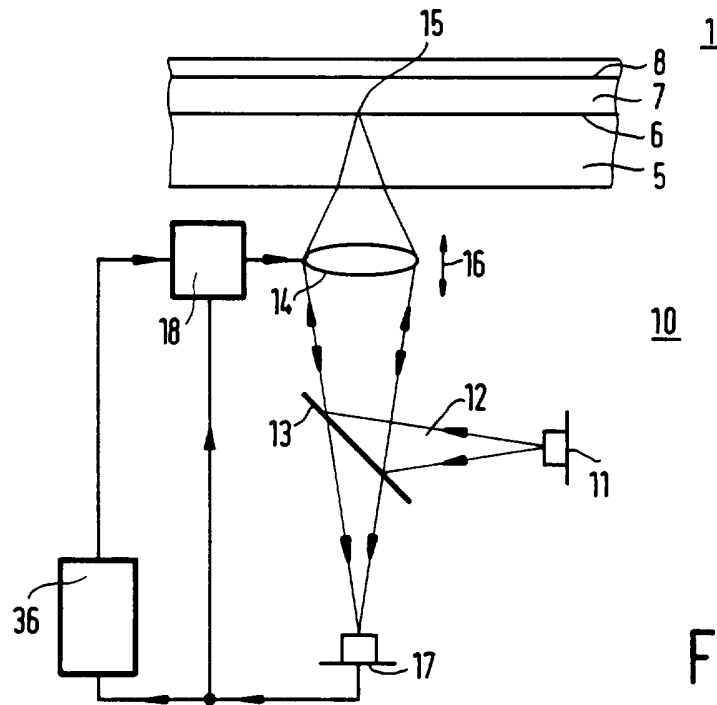


FIG. 2

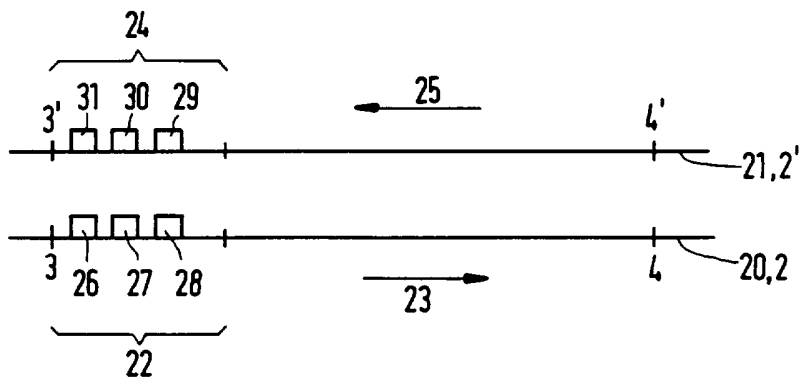


FIG. 3

2/2

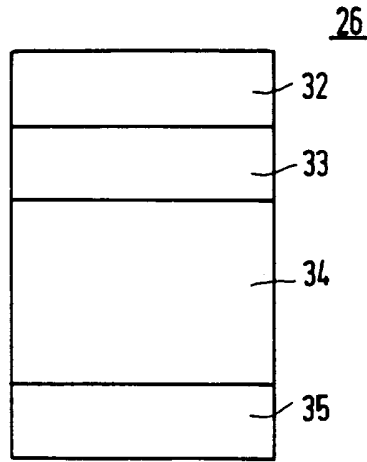


FIG. 4

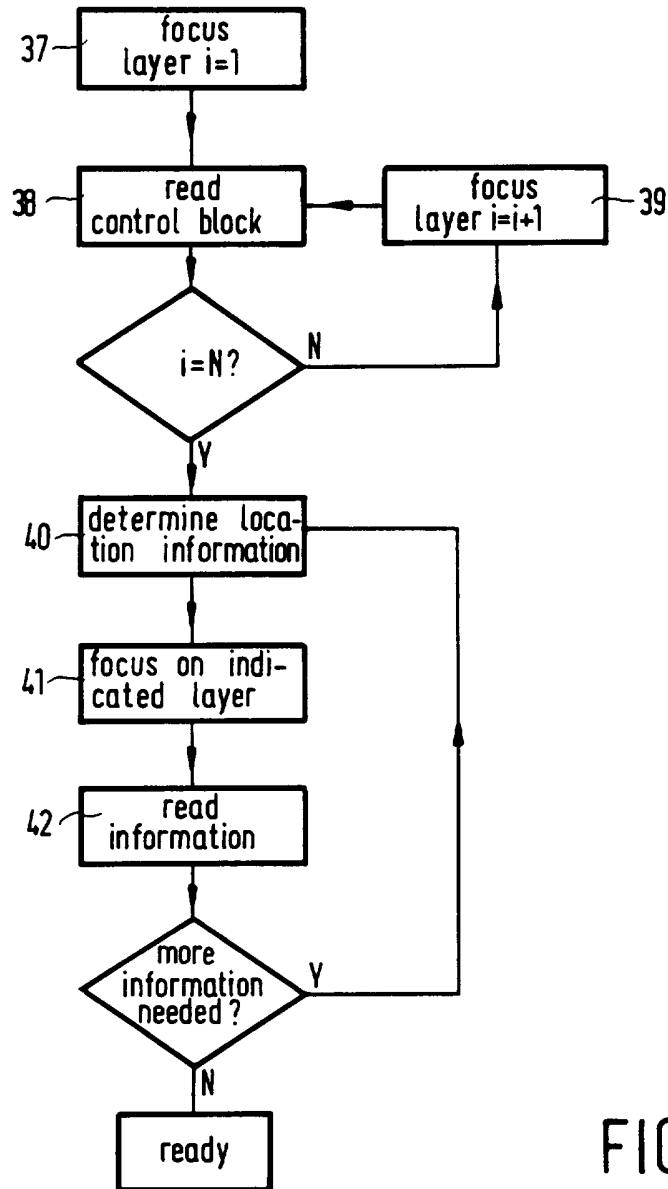


FIG. 5