

(19) World Intellectual Property Organization
International Bureau



(43) International Publication Date
1 April 2010 (01.04.2010)

PCT

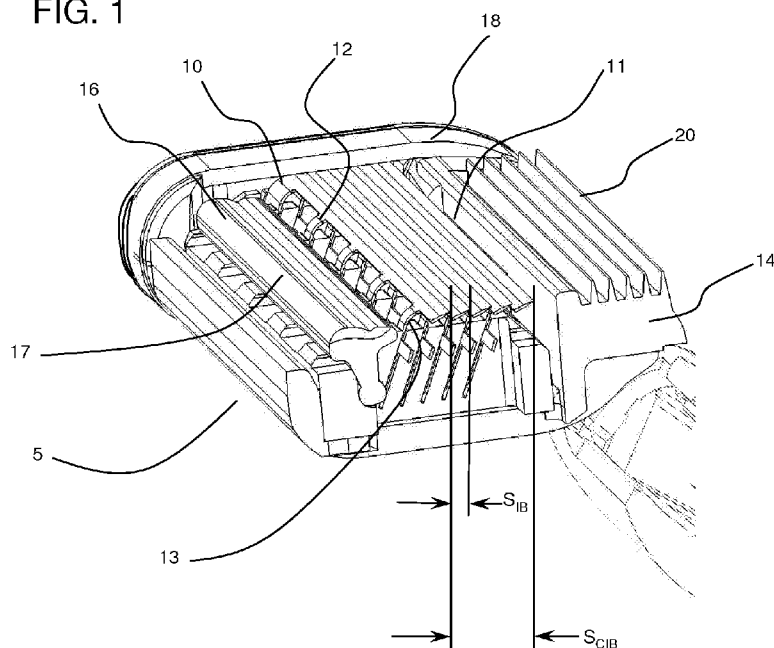
(10) International Publication Number
WO 2010/037079 A3

- (51) International Patent Classification:
B26B 21/40 (2006.01)
- (21) International Application Number:
PCT/US2009/058698
- (22) International Filing Date:
29 September 2009 (29.09.2009)
- (25) Filing Language: English
- (26) Publication Language: English
- (30) Priority Data:
61/101,038 29 September 2008 (29.09.2008) US
- (71) Applicant (for all designated States except US): **THE GILLETTE COMPANY** [US/US]; Prudential Tower Building, Boston, Massachusetts 02199 (US).
- (72) Inventors; and
- (75) Inventors/Applicants (for US only): **PETERSON, Mark** [GB/GB]; The Oaks, Basingstoke Road, Three Mile Cross, Reading Berkshire RG7 1AS (GB). **COWLEY, Kevin, David** [GB/GB]; 460 Basingstoke Road, Reading Berkshire RG2 0QE (GB). **OGLESBY, Oliver, David** [GB/GB]; Delmore, Shop Lane, Leckhampstead, Newbury Berkshire RG20 8QY (GB).
- (74) Common Representative: **THE GILLETTE COMPANY**; c/o Eileen L. Hughett, The Procter & Gamble Company, Global Patent Services, 299 East Sixth Street, Sycamore Building, 4th Floor Cincinnati, Ohio 45202 (US).
- (81) Designated States (unless otherwise indicated, for every kind of national protection available): AE, AG, AL, AM, AO, AT, AU, AZ, BA, BB, BG, BH, BR, BW, BY, BZ, CA, CH, CL, CN, CO, CR, CU, CZ, DE, DK, DM, DO, DZ, EC, EE, EG, ES, FI, GB, GD, GE, GH, GM, GT, HN, HR, HU, ID, IL, IN, IS, JP, KE, KG, KM, KN, KP, KR, KZ, LA, LC, LK, LR, LS, LT, LU, LY, MA, MD, ME, MG, MK, MN, MW, MX, MY, MZ, NA, NG, NI, NO, NZ, OM, PE, PG, PH, PL, PT, RO, RS, RU, SC, SD, SE, SG, SK, SL, SM, ST, SV, SY, TJ, TM, TN, TR, TT, TZ, UA, UG, US, UZ, VC, VN, ZA, ZM, ZW.
- (84) Designated States (unless otherwise indicated, for every kind of regional protection available): ARIPO (BW, GH, GM, KE, LS, MW, MZ, NA, SD, SL, SZ, TZ, UG, ZM, ZW), Eurasian (AM, AZ, BY, KG, KZ, MD, RU, TJ, TM), European (AT, BE, BG, CH, CY, CZ, DE, DK, EE, ES, FI, FR, GB, GR, HR, HU, IE, IS, IT, LT, LU, LV, MC, MK, MT, NL, NO, PL, PT, RO, SE, SI, SK, SM, TR), OAPI (BF, BJ, CF, CG, CI, CM, GA, GN, GQ, GW, ML, MR, NE, SN, TD, TG).

[Continued on next page]

(54) Title: RAZORS AND RAZOR CARTRIDGES WITH A DECREASED TOTAL INTERBLADE SPAN

FIG. 1



(57) Abstract: A wet shaving razor cartridge (5) that comprises a plurality of at least five elongate blade assemblies (10) disposed in parallel between a guard (14) and a cap (17) of a housing (18), each blade assembly having a sharp cutting edge (11); wherein said blade assemblies exhibit a cumulative interblade span of no greater than about 3 mm. Also, a wet shaving razor cartridge that comprise a plurality of at least four elongate blade assemblies disposed in parallel between a guard and a cap of a housing, each blade assembly having a sharp cutting edge; wherein said blade assemblies exhibit a cumulative interblade span of no greater than about 2.5 mm.



Published:

(88) Date of publication of the international search report:

24 June 2010

- *with international search report (Art. 21(3))*
- *before the expiration of the time limit for amending the claims and to be republished in the event of receipt of amendments (Rule 48.2(h))*

INTERNATIONAL SEARCH REPORT

International application No
PCT/US2009/058698

A. CLASSIFICATION OF SUBJECT MATTER
INV. B26B21/40

According to International Patent Classification (IPC) or to both national classification and IPC

B. FIELDS SEARCHED

Minimum documentation searched (classification system followed by classification symbols)
B26B

Documentation searched other than minimum documentation to the extent that such documents are included in the fields searched

Electronic data base consulted during the international search (name of data base and, where practical, search terms used)

EPO-Internal

C. DOCUMENTS CONSIDERED TO BE RELEVANT

Category*	Citation of document, with indication, where appropriate, of the relevant passages	Relevant to claim No.
P, X	WO 2009/040765 A (GILLETTE CO [US]; FORSDIKE EDWARD NEILL [GB]) 2 April 2009 (2009-04-02) page 4, lines 1-7; figure 3	1, 2, 5, 7, 10, 11, 13, 15
X	WO 01/23150 A (GILLETTE CO [US]; GILDER BERNARD [GB]; SAKER IAN [GB]) 5 April 2001 (2001-04-05) page 3, paragraph 2	1-7, 12, 15
Y	page 7, paragraph 3 - page 8, paragraph 3; claims 3, 4	10, 11, 13, 14
Y	WO 95/09071 A (GILLETTE CO [US]; GILDER BERNARD [GB]; TERRY JOHN CHARLES [GB]) 6 April 1995 (1995-04-06) page 3, lines 13-24 page 7, lines 13-23; figure 2	10, 11, 14
	----- -/--	

Further documents are listed in the continuation of Box C.

See patent family annex.

* Special categories of cited documents :

"A" document defining the general state of the art which is not considered to be of particular relevance

"E" earlier document but published on or after the international filing date

"L" document which may throw doubts on priority claim(s) or which is cited to establish the publication date of another citation or other special reason (as specified)

"O" document referring to an oral disclosure, use, exhibition or other means

"P" document published prior to the international filing date but later than the priority date claimed

"T" later document published after the international filing date or priority date and not in conflict with the application but cited to understand the principle or theory underlying the invention

"X" document of particular relevance; the claimed invention cannot be considered novel or cannot be considered to involve an inventive step when the document is taken alone

"Y" document of particular relevance; the claimed invention cannot be considered to involve an inventive step when the document is combined with one or more other such documents, such combination being obvious to a person skilled in the art.

"&" document member of the same patent family

Date of the actual completion of the international search

7 January 2010

Date of mailing of the international search report

20/04/2010

Name and mailing address of the ISA/

European Patent Office, P.B. 5818 Patentlaan 2
NL - 2280 HV Rijswijk
Tel. (+31-70) 340-2040,
Fax: (+31-70) 340-3016

Authorized officer

Rattenberger, B

INTERNATIONAL SEARCH REPORT

International application No
PCT/US2009/058698

C(Continuation). DOCUMENTS CONSIDERED TO BE RELEVANT

Category*	Citation of document, with indication, where appropriate, of the relevant passages	Relevant to claim No.
Y	US 2005/198841 A1 (WORRICK CHARLES B III [US] WORRICK III CHARLES B [US]) 15 September 2005 (2005-09-15) paragraph [0063]; figures 3,5,6 -----	13

INTERNATIONAL SEARCH REPORT

International application No.
PCT/US2009/058698

Box No. II Observations where certain claims were found unsearchable (Continuation of item 2 of first sheet)

This international search report has not been established in respect of certain claims under Article 17(2)(a) for the following reasons:

1. Claims Nos.:
because they relate to subject matter not required to be searched by this Authority, namely:

2. Claims Nos.:
because they relate to parts of the international application that do not comply with the prescribed requirements to such an extent that no meaningful international search can be carried out, specifically:

3. Claims Nos.:
because they are dependent claims and are not drafted in accordance with the second and third sentences of Rule 6.4(a).

Box No. III Observations where unity of invention is lacking (Continuation of item 3 of first sheet)

This International Searching Authority found multiple inventions in this international application, as follows:

see additional sheet

1. As all required additional search fees were timely paid by the applicant, this international search report covers all searchable claims.

2. As all searchable claims could be searched without effort justifying an additional fees, this Authority did not invite payment of additional fees.

3. As only some of the required additional search fees were timely paid by the applicant, this international search report covers only those claims for which fees were paid, specifically claims Nos.:

4. No required additional search fees were timely paid by the applicant. Consequently, this international search report is restricted to the invention first mentioned in the claims; it is covered by claims Nos.:

see annex

Remark on Protest

- The additional search fees were accompanied by the applicant's protest and, where applicable, the payment of a protest fee.
- The additional search fees were accompanied by the applicant's protest but the applicable protest fee was not paid within the time limit specified in the invitation.
- No protest accompanied the payment of additional search fees.

FURTHER INFORMATION CONTINUED FROM PCT/ISA/ 210

This International Searching Authority found multiple (groups of) inventions in this international application, as follows:

1. claims: 1-7,10-15

wet shaving razor cartridge comprising a plurality of blade assemblies, wherein the blade assemblies are defining a certain shaving geometry in order to obtain a satisfactory shaving result

2. claims: 8,9

wet shaving razor cartridge comprising a plurality of blade assemblies, wherein the blade assemblies comprise one or more perforations

INTERNATIONAL SEARCH REPORT

Information on patent family members

International application No

PCT/US2009/058698

Patent document cited in search report		Publication date		Patent family member(s)		Publication date
WO 2009040765	A	02-04-2009	US	2009083982 A1		02-04-2009
WO 0123150	A	05-04-2001	AT	296718 T		15-06-2005
			AT	424284 T		15-03-2009
			AU	774134 B2		17-06-2004
			BR	0014324 A		28-05-2002
			CA	2383994 A1		05-04-2001
			CN	1376105 A		23-10-2002
			CN	1915610 A		21-02-2007
			CO	5280125 A1		30-05-2003
			DE	60020579 D1		07-07-2005
			DE	60020579 T2		27-10-2005
			DK	1586425 T3		08-06-2009
			EP	1216121 A1		26-06-2002
			EP	1586425 A1		19-10-2005
			EP	2055450 A1		06-05-2009
			ES	2239615 T3		01-10-2005
			ES	2322160 T3		17-06-2009
			GB	2354474 A		28-03-2001
			JP	2003510142 T		18-03-2003
			MX	PA02003195 A		20-08-2003
			NZ	517606 A		28-03-2003
			PT	1586425 E		14-05-2009
			TR	200200798 T2		21-08-2002
			TW	252529 Y		11-12-2004
			US	2002144404 A1		10-10-2002
			US	2009126196 A1		21-05-2009
WO 9509071	A	06-04-1995	AT	211672 T		15-01-2002
			AU	685171 B2		15-01-1998
			AU	7840494 A		18-04-1995
			BG	62798 B1		31-08-2000
			BG	100543 A		31-10-1996
			BR	9407662 A		28-01-1997
			CA	2172042 A1		06-04-1995
			CN	1132485 A		02-10-1996
			CZ	9600917 A3		16-10-1996
			DE	69429628 D1		14-02-2002
			DE	69429628 T2		29-08-2002
			DK	722379 T3		22-04-2002
			EP	0722379 A1		24-07-1996
			ES	2167379 T3		16-05-2002
			HU	74789 A2		28-02-1997
			IN	190159 A1		21-06-2003
			JP	9502912 T		25-03-1997
			JP	3512417 B2		29-03-2004
			NZ	274386 A		20-12-1996
			PL	313710 A1		22-07-1996
			PT	722379 E		28-06-2002
			RO	118397 B1		30-05-2003
			RU	2127660 C1		20-03-1999
			SK	42296 A3		06-08-1997
			US	6216349 B1		17-04-2001
US 2005198841	A1	15-09-2005	AR	048093 A1		29-03-2006
			AU	2005225007 A1		29-09-2005
			AU	2008240342 A1		27-11-2008
			BR	PI0508626 A		24-07-2007

INTERNATIONAL SEARCH REPORT

Information on patent family members

International application No

PCT/US2009/058698

Patent document cited in search report	Publication date	Patent family member(s)	Publication date
US 2005198841	A1	CA 2557281 A1	29-09-2005
		CN 1929967 A	14-03-2007
		CN 101391422 A	25-03-2009
		EP 1722938 A2	22-11-2006
		JP 2007525308 T	06-09-2007
		KR 20070012795 A	29-01-2007
		RU 2359815 C2	27-06-2009
		WO 2005090021 A2	29-09-2005
