



US00D521446S

(12) **United States Design Patent**
Liu

(10) **Patent No.:** **US D521,446 S**

(45) **Date of Patent:** **** May 23, 2006**

- (54) **BATTERY CARTRIDGE**
 - (75) Inventor: **Li H. Liu**, South Williamsport, PA (US)
 - (73) Assignee: **Shop Vac Corporation**, Williamsport, PA (US)
 - (**) Term: **14 Years**
 - (21) Appl. No.: **29/208,806**
 - (22) Filed: **Jul. 6, 2004**
 - (51) **LOC (8) Cl.** **13-02**
 - (52) **U.S. Cl.** **D13/103**
 - (58) **Field of Classification Search** D13/102-106, D13/110, 118-119, 184; 429/96-100, 163, 429/176
- See application file for complete search history.

D405,413 S	*	2/1999	Segers	D13/103
D406,258 S	*	3/1999	Segers	D13/103
6,006,400 A		12/1999	Prezenza		
6,033,800 A	*	3/2000	Ichiyonagi et al.	429/176
D424,013 S	*	5/2000	Curtis	D13/103
6,055,700 A		5/2000	Holsten et al.		
6,065,182 A		5/2000	Wright et al.		
6,066,211 A		5/2000	Sandell		
D432,493 S	*	10/2000	Killebrew et al.	D13/103
D436,918 S	*	1/2001	Matsuda	D13/110
D444,125 S	*	6/2001	Shy	D13/110
D473,234 S	*	4/2003	Hussaini et al.	D14/436
D492,248 S	*	6/2004	Gregory et al.	D13/103
D492,649 S	*	7/2004	Resch et al.	D13/103

* cited by examiner

Primary Examiner—Alan P. Douglas
Assistant Examiner—Rosemary Tarcza

(74) *Attorney, Agent, or Firm*—Marshall, Gerstein & Borun LLP

(56) **References Cited**

U.S. PATENT DOCUMENTS

D201,083 S	*	5/1965	Roth	D13/110
4,325,163 A		4/1982	Mattson et al.		
D269,088 S	*	5/1983	Genaro et al.	D14/137
4,591,777 A		5/1986	McCarty et al.		
D290,119 S	*	6/1987	Trezise et al.	D14/189
4,734,017 A		3/1988	Levin		
4,797,072 A		1/1989	Berfield et al.		
4,836,753 A		6/1989	Berfield et al.		
4,884,314 A		12/1989	Miner et al.		
4,945,604 A		8/1990	Miner et al.		
4,961,246 A		10/1990	Hauge et al.		
5,014,388 A		5/1991	Schiazza et al.		
5,289,605 A		3/1994	Armbruster		
5,294,063 A		3/1994	Bote		
5,606,769 A		3/1997	Tomasiak et al.		
5,611,107 A		3/1997	Tomasiak et al.		
5,765,258 A		6/1998	Melito et al.		

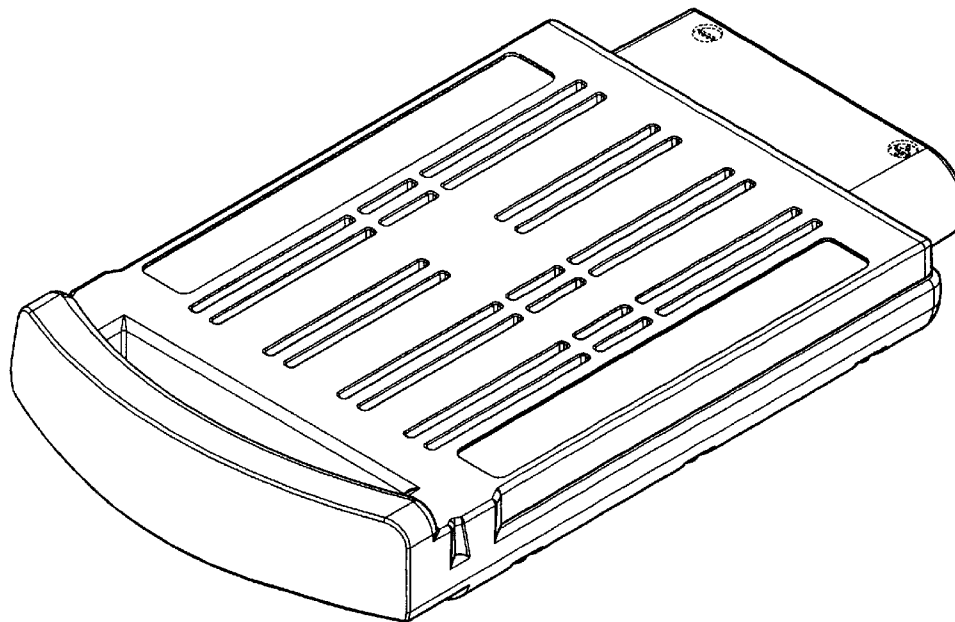
(57) **CLAIM**

The ornamental design for a “battery cartridge,” as shown and described.

DESCRIPTION

FIG. 1 is a perspective view taken from the front, right side, and top showing my new design; FIG. 2 is a left side elevational view thereof; FIG. 3 is a right side elevational view thereof; FIG. 4 is a top plan view thereof; FIG. 5 is a bottom plan view thereof; FIG. 6 is a rear elevational view thereof; and, FIG. 7 is a front elevational view thereof. The broken line showing is for illustrative purposes only and forms no part of the claimed design.

1 Claim, 5 Drawing Sheets



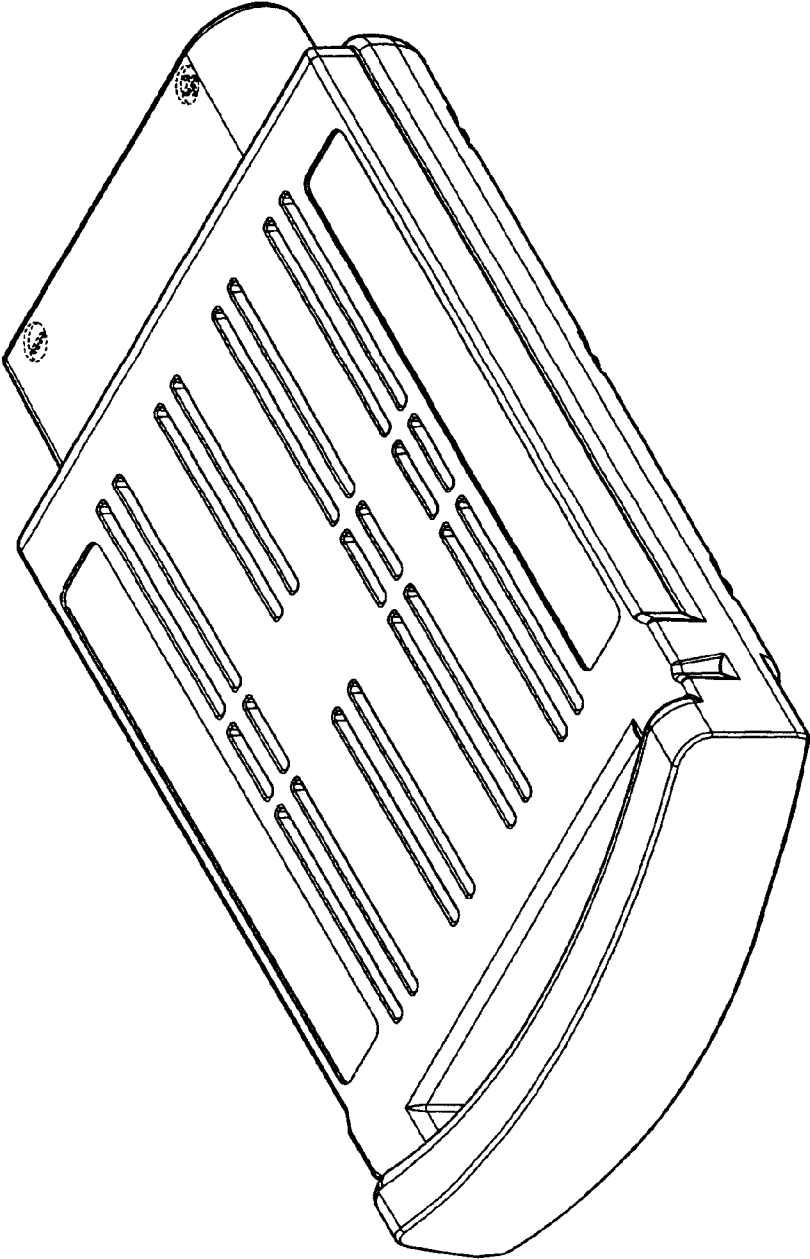


FIG. 1

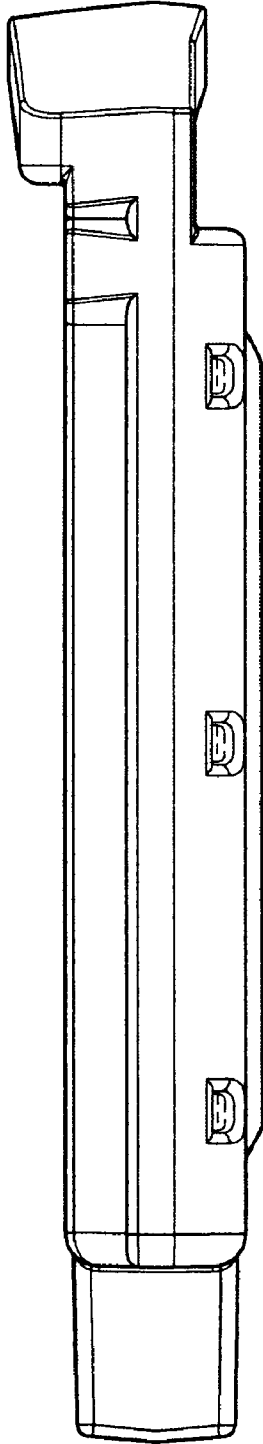


FIG. 2

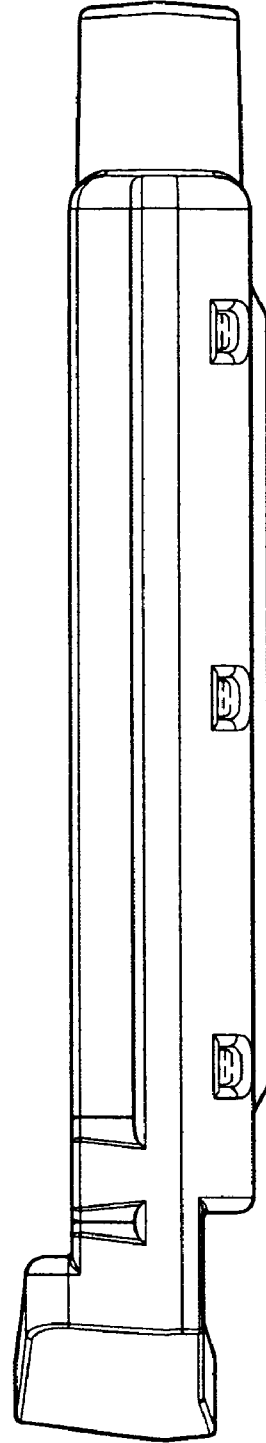


FIG. 3

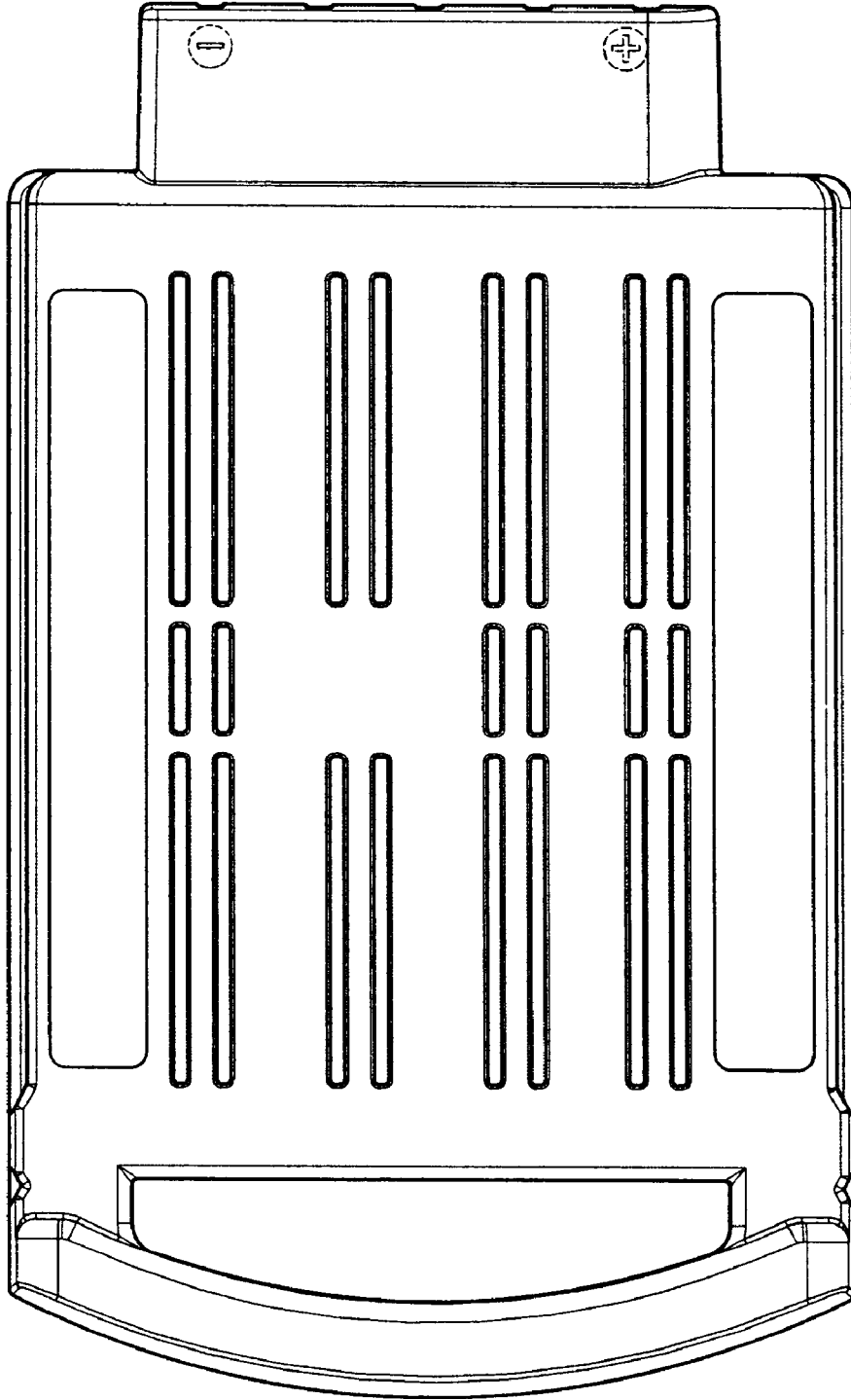


FIG. 4

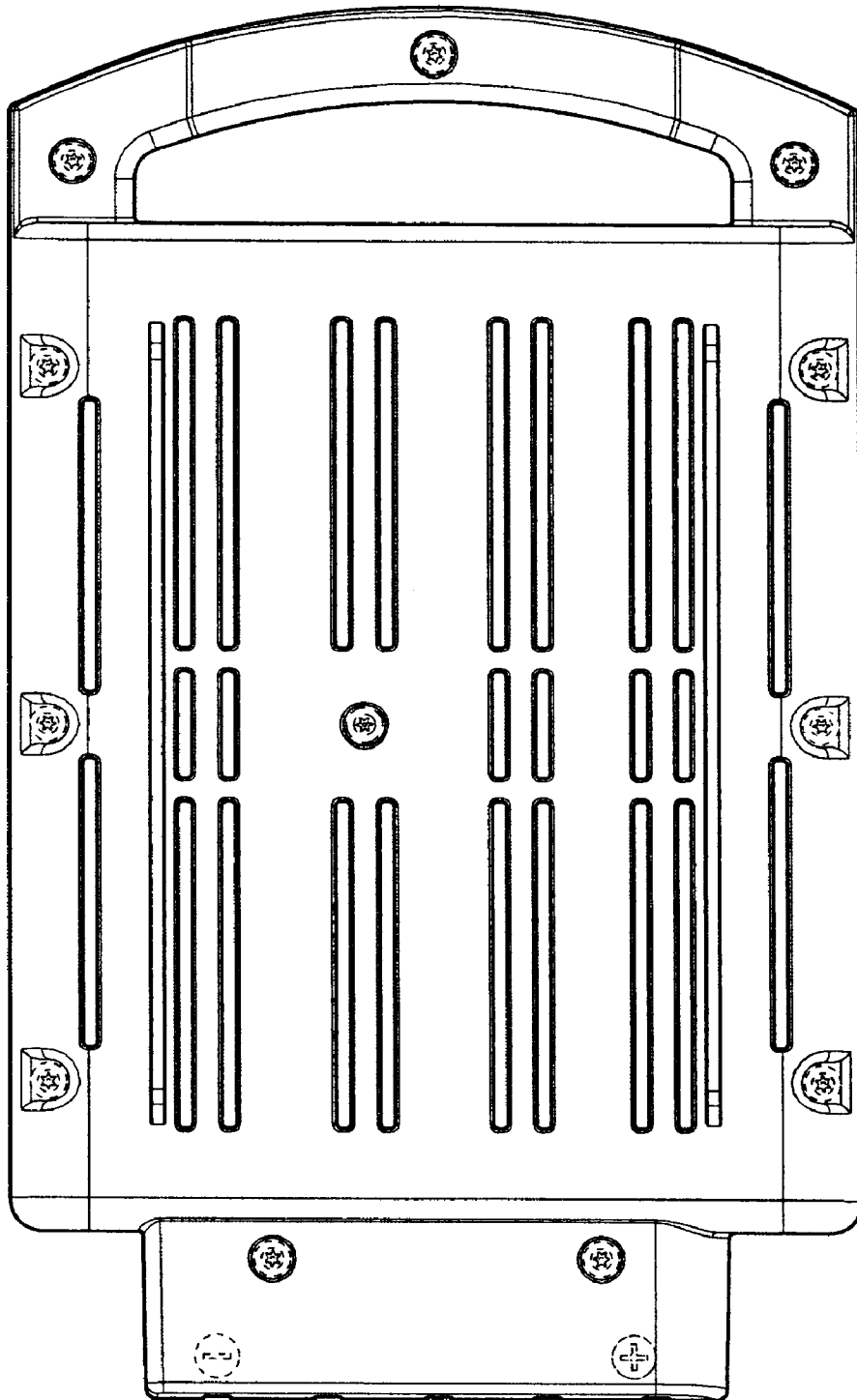


FIG. 5

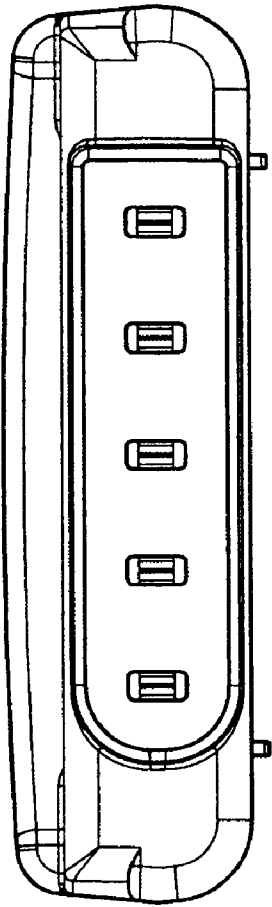


FIG. 6

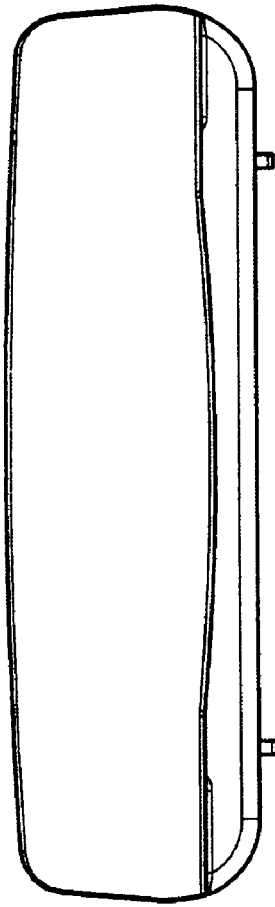


FIG. 7