



US00D873509S

(12) **United States Design Patent**
Steinkraus

(10) **Patent No.:** **US D873,509 S**

(45) **Date of Patent:** **** Jan. 21, 2020**

- (54) **STICK TOY**
- (71) Applicant: **Gramercy Products, Inc.**, Secaucus, NJ (US)
- (72) Inventor: **William Steinkraus**, Fort Lee, NJ (US)
- (73) Assignee: **GRAMERCY PRODUCTS, INC.**, Secaucus, NJ (US)
- (**) Term: **15 Years**
- (21) Appl. No.: **29/666,757**
- (22) Filed: **Oct. 16, 2018**

3,633,538 A	1/1972	Hoeflin
3,889,950 A	6/1975	Kasravi
3,968,074 A	7/1976	Schwarze
4,002,893 A	1/1977	Newcomb
4,006,908 A	2/1977	Minami
4,113,829 A	9/1978	Bowker
4,297,809 A	11/1981	Branson
4,527,351 A	7/1985	Gerakiteys
4,732,925 A	3/1988	Davis
5,196,462 A	3/1993	Berta
5,344,864 A	9/1994	Kushida
5,358,440 A	10/1994	Zheng
5,611,532 A	3/1997	Forrest
5,695,706 A	12/1997	Welsh
5,810,636 A	9/1998	Harned
D402,318 S	12/1998	Dunipace
D408,482 S	4/1999	Morrison
5,934,966 A	8/1999	Ward
6,003,470 A	12/1999	Budman
D418,881 S *	1/2000	Cousins D21/681
6,073,588 A	6/2000	McClung
6,083,127 A	7/2000	O'Shea
6,089,938 A	7/2000	Spector

Related U.S. Application Data

- (63) Continuation-in-part of application No. 29/643,298, filed on Apr. 6, 2018, now Pat. No. Des. 856,612.
- (51) **LOC (12) Cl.** **30-02**
- (52) **U.S. Cl.**
USPC **D30/160**
- (58) **Field of Classification Search**
USPC D30/121, 160; D24/193-195, 211-214; D21/707-708, 713
CPC .. A01K 15/024; A01K 15/025; A01K 15/026; A01K 15/027
See application file for complete search history.

(Continued)

Primary Examiner — Michael C Stout

Assistant Examiner — Katrina N Gonzalez

(74) *Attorney, Agent, or Firm* — Thomas A. O'Rourke; Bodner & O'Rourke, LLP

(57) **CLAIM**

The ornamental design for a stick toy, as shown and described.

(56) **References Cited**

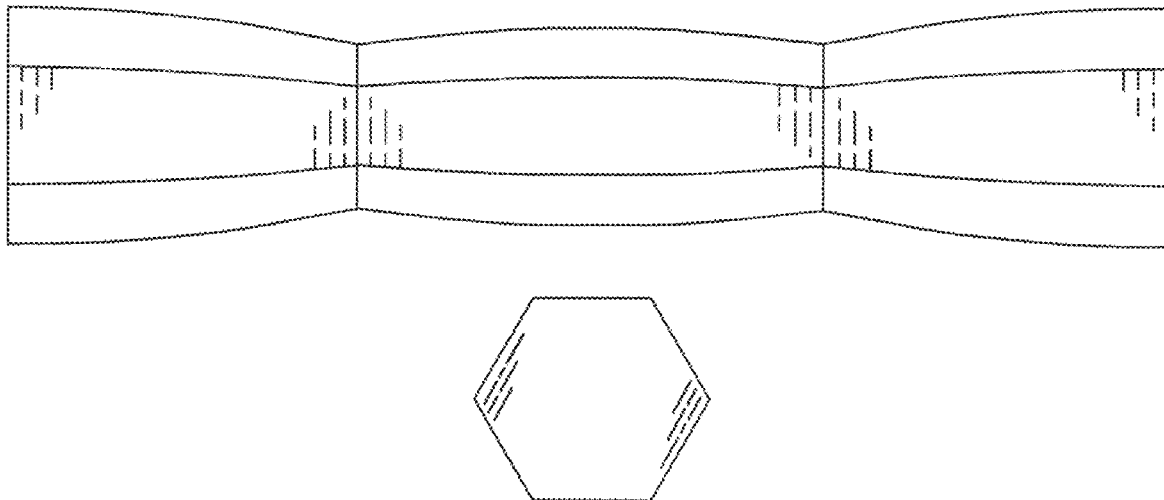
U.S. PATENT DOCUMENTS

D85,142 S	9/1931	Steckler
1,877,673 A	9/1932	Law
2,098,395 A	11/1937	Law
2,304,190 A	12/1942	Milner
RE23,176 E	11/1949	Milner
2,867,425 A	1/1959	Teller
3,046,016 A	7/1962	Laws
D219,284 S	11/1970	Hunt

DESCRIPTION

FIG. 1 is a top view of the stick toy illustrating my new design. The bottom view is identical to the top view shown. FIG. 2 is a front view thereof. The rear view is identical to the front view shown; and, FIG. 3 is a right side view thereof. The left side view is identical to the right side view shown.

1 Claim, 1 Drawing Sheet



(56)

References Cited

U.S. PATENT DOCUMENTS

6,113,453 A	9/2000	Stuffelbeam	D637,773 S	5/2011	Tsengas	
D433,719 S	11/2000	Hutchings	D640,329 S	6/2011	Oblack	
6,174,214 B1	1/2001	Cooper	7,976,355 B2	7/2011	McAnulty	
6,390,879 B1	5/2002	Spector	8,241,153 B2	8/2012	Williams	
D468,378 S	1/2003	Routzong	8,348,713 B2	1/2013	Groft et al.	
D479,897 S	9/2003	Willinger	8,402,923 B2	3/2013	Jager	
6,622,659 B2	9/2003	Willinger	D680,280 S	4/2013	Nielsen	
6,651,590 B2	11/2003	Willinger	8,474,410 B2	7/2013	Oblack	
6,682,384 B2	1/2004	Wang	D749,803 S	2/2016	Urbanczyk	
6,695,666 B2	2/2004	Nikonorov	D760,451 S *	6/2016	Harvey	D30/160
6,739,934 B1	5/2004	Adler	D804,741 S *	12/2017	Park	D30/160
6,918,809 B2	7/2005	Persall	D811,020 S	2/2018	Wills	
6,939,191 B1	9/2005	Wu	D850,026 S *	5/2019	Loibl	D30/160
D511,228 S	11/2005	Byrne	D854,259 S *	7/2019	Baiocchi	D30/160
D512,541 S	12/2005	Byrne	D856,612 S *	8/2019	SteinKraus	D30/160
D513,545 S	1/2006	Byrne	D858,909 S *	9/2019	SteinKraus	D30/160
D516,276 S	3/2006	Unlu	2002/0111105 A1	8/2002	Silverglate	
7,096,826 B2	8/2006	Markham	2003/0184013 A1	10/2003	Chodosh	
D544,155 S	6/2007	Lamstein	2003/0232565 A1	12/2003	Silverglate	
D548,409 S	8/2007	Renforth et al.	2004/0083983 A1	5/2004	Markham	
D569,562 S	5/2008	Nazimek	2004/0089245 A1	5/2004	Markham	
D571,061 S	6/2008	Nazimek	2004/0166764 A1	8/2004	Stark	
D597,263 S	7/2009	Nazimek	2004/0259460 A1	12/2004	Persall	
			2006/0073758 A1	4/2006	Goodwin	
			2006/0141896 A1	6/2006	Owens	
			2009/0176436 A1	7/2009	Stark	

* cited by examiner

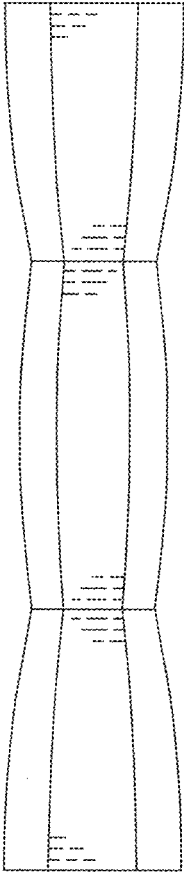


FIG. 1

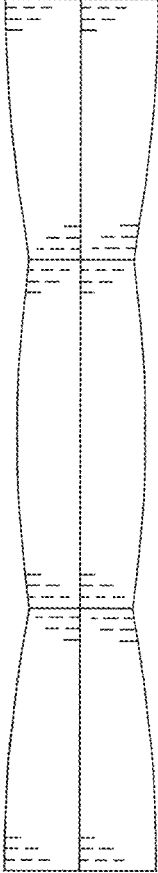


FIG. 2

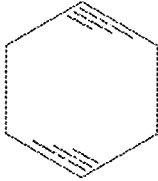


FIG. 3