



US00D872967S

(12) **United States Design Patent**
Cammarota et al.

(10) **Patent No.:** **US D872,967 S**

(45) **Date of Patent:** **** Jan. 21, 2020**

(54) **MOLDED TORTILLA POCKET**

FOREIGN PATENT DOCUMENTS

(71) Applicant: **General Mills, Inc.**, Minneapolis, MN (US)

FR 2976457 12/2012
JP 242659 11/1964

(72) Inventors: **Carina Claudia Cammarota**, Navarra (ES); **John J Fenske**, Shoreview, MN (US); **Zac Harder**, Crystal, MN (US); **Chad M Kubat**, Woodbury, MN (US); **Ralph A Stenvik**, Plymouth, MN (US)

Primary Examiner — Katie Jane Stofko
(74) *Attorney, Agent, or Firm* — Diederiks & Whitelaw, PLC; John L. Crimmins, Esq.

(73) Assignee: **General Mills, Inc.**, Minneapolis, MN (US)

(57) **CLAIM**

(**) Term: **15 Years**

The ornamental design for a molded tortilla pocket, as shown and described.

(21) Appl. No.: **29/656,887**

(22) Filed: **Jul. 17, 2018**

(51) **LOC (12) Cl.** **01-01**

(52) **U.S. Cl.**
USPC **D1/122**

(58) **Field of Classification Search**

USPC D1/100-130, 199; 426/94, 104, 138, 426/143, 144, 274, 283, 303, 391, 512, 426/514, 518, 549; D6/597, 601; D7/675, 560, 566, 568, 601, 700; D24/122; D28/8.1, 8.2; D21/385, 386, D21/707; D11/164; 47/72
CPC A23L 1/0067; A23L 1/005; A23L 1/0052; A23L 1/217; A23G 9/48; A23G 3/54; A23V 2002/00

See application file for complete search history.

(56) **References Cited**

U.S. PATENT DOCUMENTS

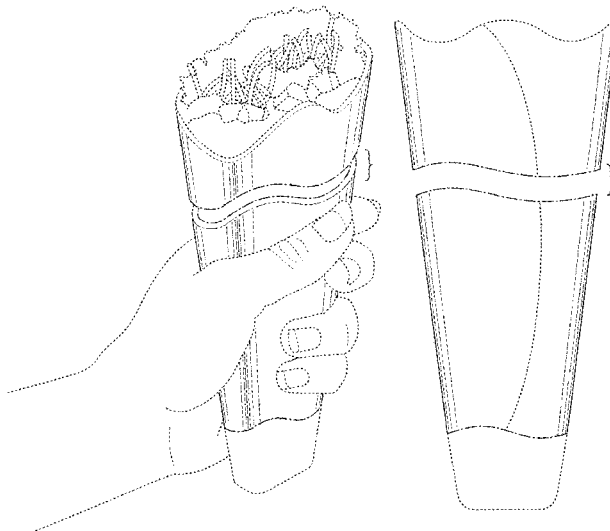
1,300,164 A * 4/1919 Guardino B65D 5/2047
229/104
D62,515 S * 6/1923 Wood D1/116
1,835,719 A * 12/1931 Parr A23G 9/50
426/134

(Continued)

DESCRIPTION

FIG. 1 is an upper perspective view of a molded tortilla pocket having a closed bottom according to our new design; FIG. 2 is a front elevational view of the molded tortilla pocket; FIG. 3 is a rear elevational view of the molded tortilla pocket; FIG. 4 is a left side view of the molded tortilla pocket; FIG. 5 is a right side view of the molded tortilla pocket; FIG. 6 is a top plan view of the molded tortilla pocket; and, FIG. 7 is a bottom plan view of the molded tortilla pocket. The dash-dot-dash symbolic break lines shown in the middle portion of the molded tortilla pocket indicate that the appearance of any portion of the article between the break lines forms no part of the claimed design. The evenly-spaced broken lines illustrating the food and the hand in FIG. 1 illustrates environment that form no part of the claimed design while the remaining evenly-spaced broken lines in the drawings illustrate portions of the molded tortilla pocket that form no part of the claimed design. The dash-dot-dash broken lines shown in FIGS. 1-7 illustrate the boundary of the claimed design which forms no part thereof.

1 Claim, 4 Drawing Sheets



(56)

References Cited

U.S. PATENT DOCUMENTS

1,850,356 A *	3/1932	Parr	A23G 9/48	6,430,870 B1 *	8/2002	Weder	A01G 5/04
				426/139					47/72
D88,951 S	1/1933	Davison			6,705,046 B2 *	3/2004	Weder	A47G 7/085
1,951,642 A *	3/1934	Charles	A01G 9/026					206/423
				229/110	6,807,771 B2 *	10/2004	Weder	B65D 75/008
D213,166 S *	1/1969	Stanley	D1/118					47/41.01
4,313,964 A	2/1982	Dembecki			D514,463 S *	2/2006	Levine	D10/113.2
D277,234 S *	1/1985	Bank	426/138	7,008,655 B1	3/2006	Aslanis		
D292,940 S	12/1987	Dipietro			7,131,626 B2	11/2006	Cole		
5,336,511 A	8/1994	Der Beek			D623,826 S	9/2010	Griebel		
D361,298 S *	8/1995	Weder	D11/143	D643,587 S	8/2011	Bianchi		
D368,990 S *	4/1996	Thomas	D24/194	8,349,384 B2	1/2013	Huxel et al.		
5,829,225 A *	11/1998	Weder	A01G 5/04	D754,416 S *	4/2016	Clements	D1/122
				53/397	D759,342 S *	6/2016	Clements	D1/122
D402,915 S *	12/1998	Weder	D11/164	9,764,503 B2	9/2017	Seto		
6,182,395 B1 *	2/2001	Weder	B65B 25/02	D835,360 S *	12/2018	Lown	D30/153
				47/72	D836,737 S *	12/2018	Breeden, III	D21/753
					D844,219 S *	3/2019	Reid	D26/135
					2006/0216378 A1	9/2006	Boscolo		
					2010/0034930 A1	2/2010	Ko		
					2014/0272004 A1	9/2014	Porat		

* cited by examiner

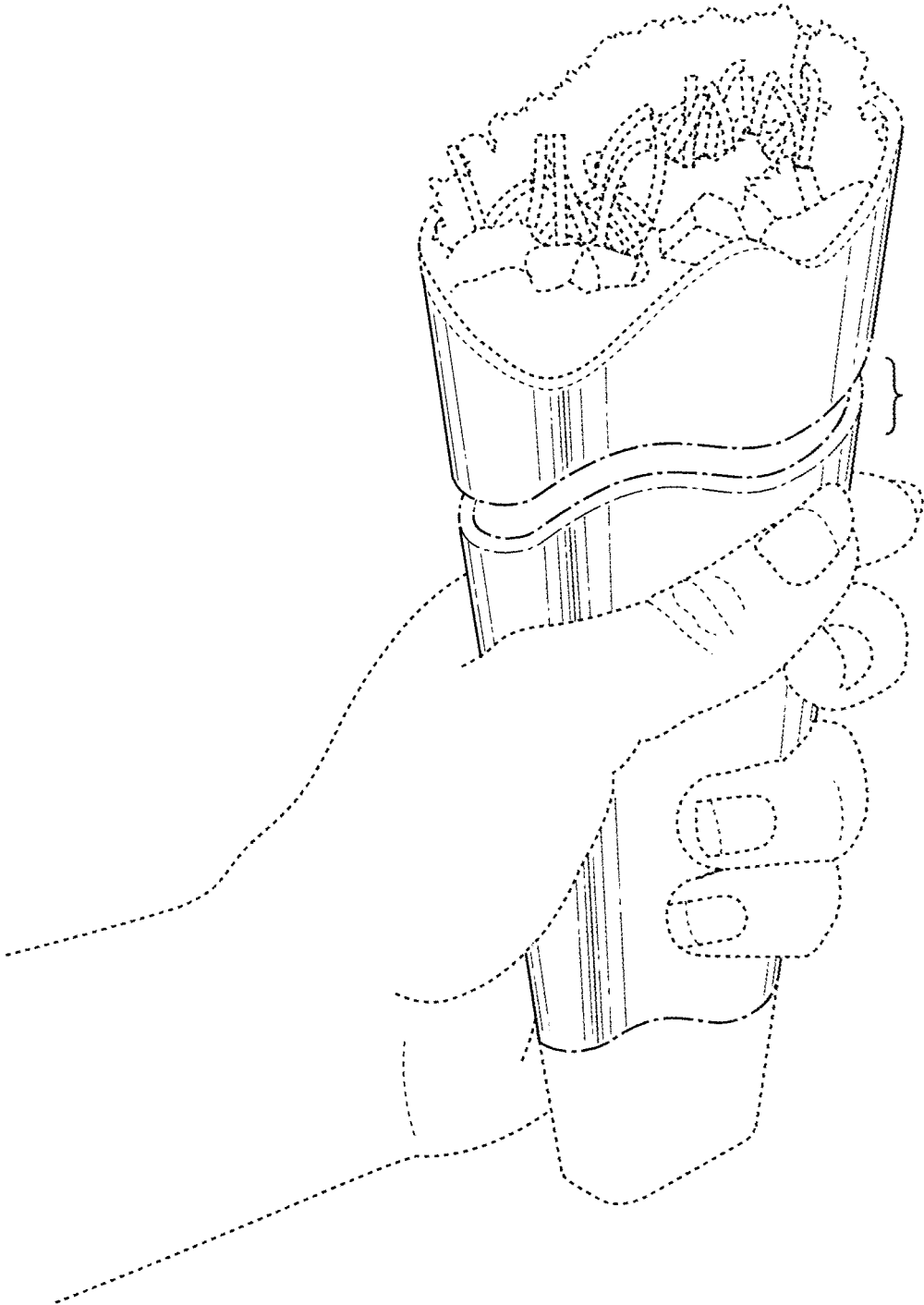


FIG. 1

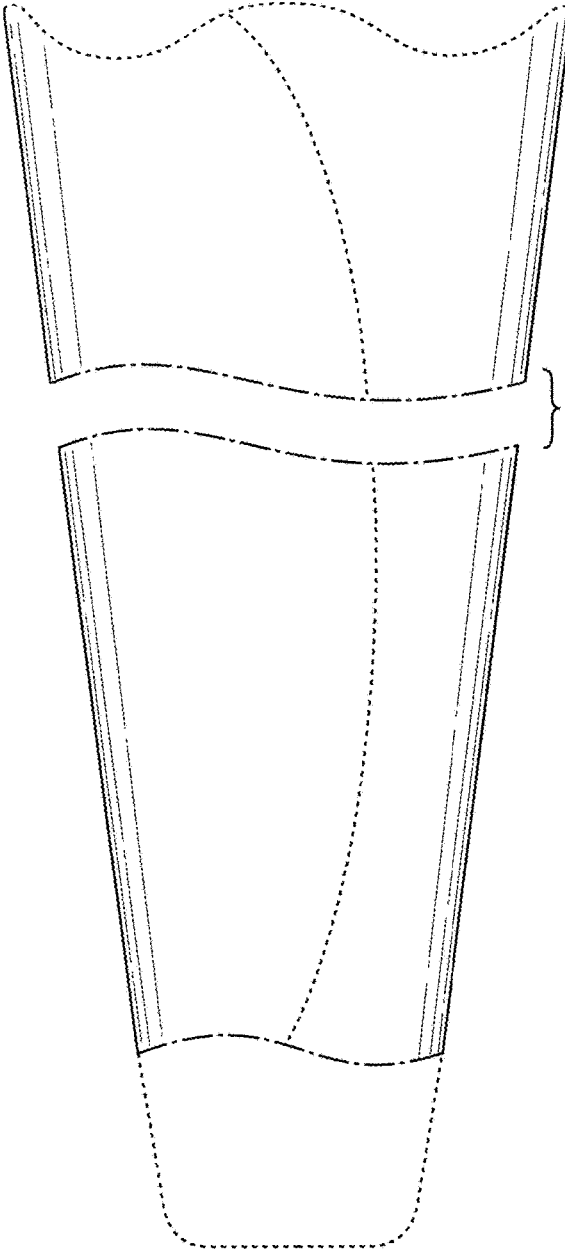


FIG. 2

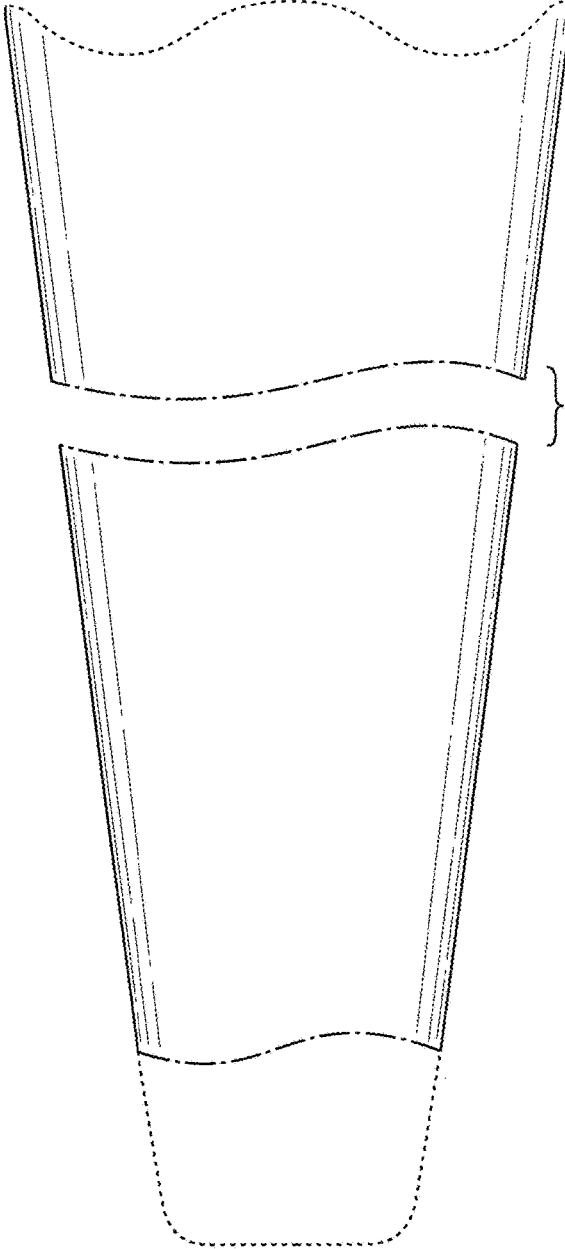


FIG. 3

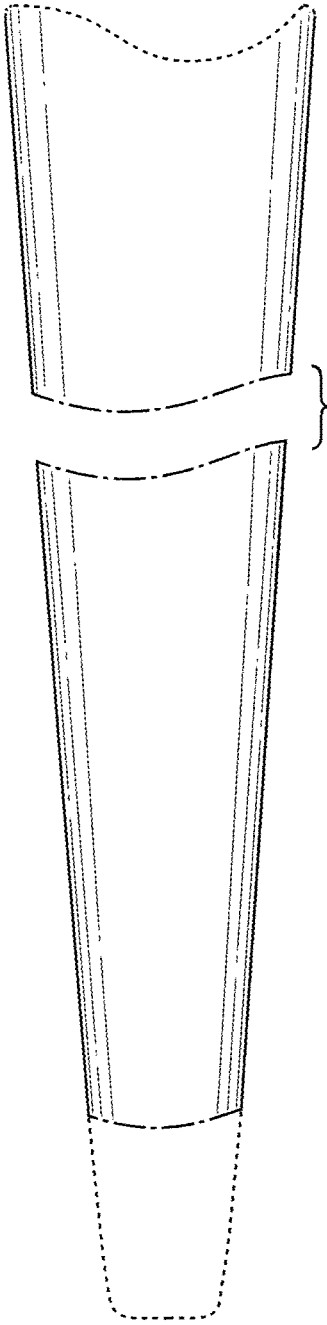


FIG. 4

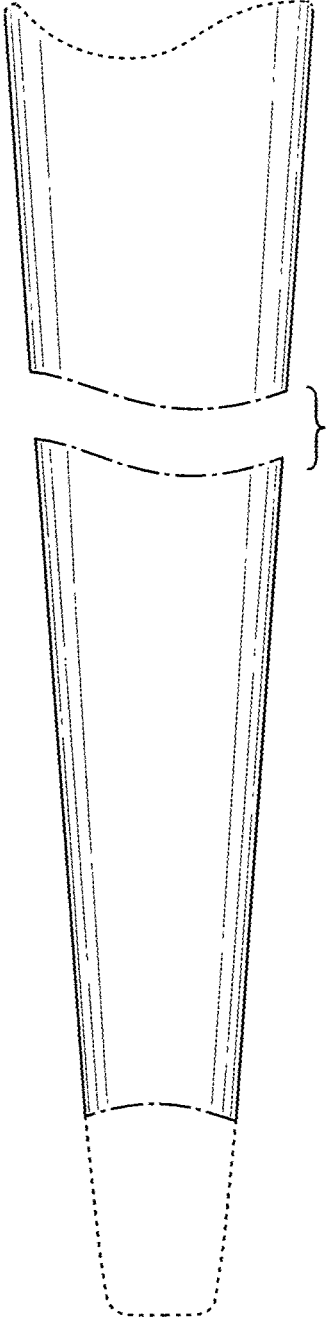


FIG. 5

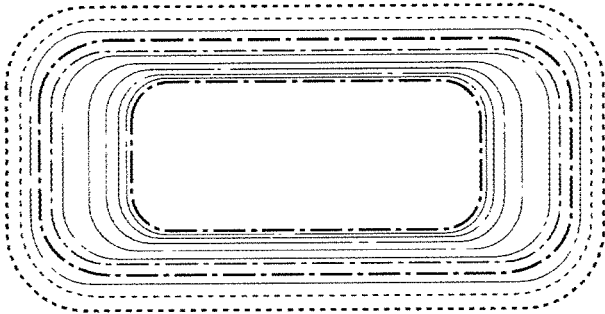


FIG. 6

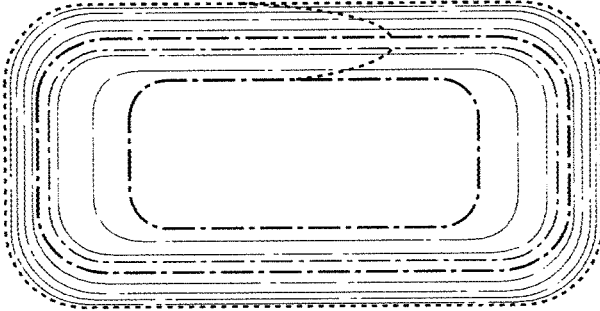


FIG. 7