



US00D921776S

(12) **United States Design Patent**
Jordan

(10) **Patent No.:** **US D921,776 S**

(45) **Date of Patent:** **** Jun. 8, 2021**

- (54) **FITNESS BALL WITH HANDLE**
- (71) Applicant: **GRIPFIT LLC**, Washington, PA (US)
- (72) Inventor: **Thomas L. Jordan**, Washington, PA (US)
- (73) Assignee: **Gripfit LLC**, Washington, PA (US)
- (**) Term: **15 Years**
- (21) Appl. No.: **29/681,816**

D418,559 S * 1/2000 Cousins D21/680
 D438,265 S * 2/2001 Fenelon A63B 21/0722
 D21/682
 6,190,292 B1 2/2001 Panes
 6,387,022 B1 5/2002 Smith
 (Continued)

FOREIGN PATENT DOCUMENTS

CN 202342414 U 7/2012
 WO 2015191914 A1 12/2015

OTHER PUBLICATIONS

Roguefitness, "Rogue Thompson Fatbells", Oct. 29, 2020. <https://www.roguefitness.com/rogue-thompson-fatbells?>. Shown on p. 1. (Year: 2020).*

(Continued)

Primary Examiner — Cynthia Ramirez
Assistant Examiner — Michael A Maharajh
 (74) *Attorney, Agent, or Firm* — The Webb Law Firm

(57) **CLAIM**

The ornamental design for a fitness ball with handle, as shown and described.

DESCRIPTION

FIG. 1 is a top front perspective view of a fitness ball with handle showing my new design;
 FIG. 2 is a top view thereof;
 FIG. 3 is a bottom view thereof;
 FIG. 4 is a front elevation view thereof, the rear elevation view is a mirror image thereof;
 FIG. 5 is a left side elevation view thereof, the right side elevation view is a mirror image thereof;
 FIG. 6 is a bottom front perspective view thereof; and,
 FIG. 7 is an exploded bottom perspective view thereof.
 The portions of the fitness ball with handle shown in broken lines form no part of the claimed design.

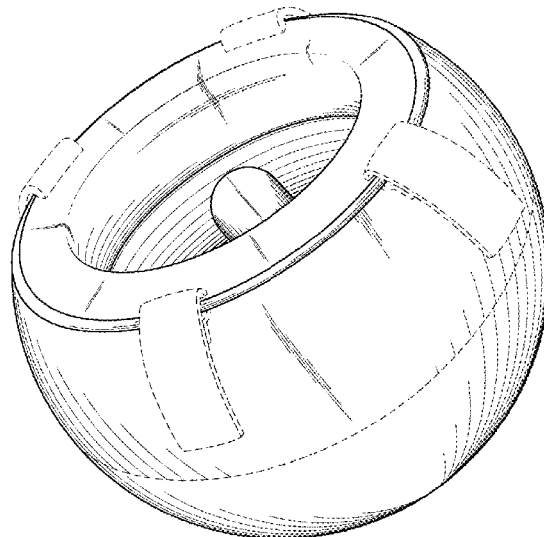
1 Claim, 7 Drawing Sheets

- (22) Filed: **Feb. 28, 2019**
- (51) **LOC (13) Cl.** **21-02**
- (52) **U.S. Cl.**
USPC **D21/680**
- (58) **Field of Classification Search**
USPC D32/29.1; D21/680, 707, 708, 709, 710, 711, 712, 713, 714; D30/160; D24/211, 214, 215
CPC A63B 41/00; A63B 21/072; A63B 39/00; A63B 43/00; A61H 2015/004
See application file for complete search history.

(56) **References Cited**

U.S. PATENT DOCUMENTS

- 3,785,642 A * 1/1974 Sterlicchi A63B 43/02
482/51
- D241,869 S * 10/1976 Hilprecht D21/713
- D244,628 S * 6/1977 Wright D21/682
- D309,660 S * 7/1990 Saguin D24/211
- D318,613 S * 7/1991 Halm D32/29.1
- D328,328 S * 7/1992 Juarez D21/623
- D344,820 S * 3/1994 Cornette D32/29.1
- 5,389,063 A * 2/1995 Wu A61H 7/001
273/153 S
- D358,894 S * 5/1995 Ivy D24/211
- D359,359 S * 6/1995 Robertson D24/211
- D359,360 S * 6/1995 Ivy D24/211
- D370,951 S * 6/1996 Lazar D21/692
- D378,539 S * 3/1997 Scott D24/211
- 5,735,776 A 4/1998 Swezey et al.



(56)

References Cited

U.S. PATENT DOCUMENTS

D472,643 S * 4/2003 Zake D24/211
 D478,947 S * 8/2003 Lu D21/662
 D498,799 S 11/2004 Kerry
 7,214,205 B2 5/2007 Sils
 D552,696 S 10/2007 Hallar
 D610,215 S * 2/2010 Wechsler D21/707
 7,993,250 B2 8/2011 Abbott
 D659,204 S * 5/2012 Cotter A63B 21/072
 D21/680
 D694,421 S * 11/2013 Anderson D24/215
 8,636,625 B2 1/2014 Johnson
 8,870,719 B2 10/2014 Johnson et al.
 D733,814 S * 7/2015 Gustafson D21/662
 D736,483 S * 8/2015 Crane D30/160
 D769,990 S 10/2016 Jung
 D779,599 S 2/2017 Jung
 D789,461 S * 6/2017 Magloire D21/682
 D789,548 S * 6/2017 Cheng D24/211
 D791,889 S * 7/2017 Goldman D21/707
 D793,499 S * 8/2017 Ormsbee D21/707
 D798,658 S * 10/2017 Masifilo D7/400
 D822,842 S * 7/2018 Viner D24/211
 D827,845 S * 9/2018 Phillips D24/211
 D827,847 S * 9/2018 Downare D24/211
 D829,334 S * 9/2018 Hardof D24/211
 D840,116 S * 2/2019 Steinkraus D30/160
 D845,562 S * 4/2019 Lewis D30/160
 D871,603 S * 12/2019 Spratt D24/215
 D876,660 S * 2/2020 Kim D24/215
 D877,824 S * 3/2020 Chiang D21/680
 D893,116 S * 8/2020 Wang D30/160
 2003/0060346 A1 * 3/2003 Wu A63B 21/06
 482/108
 2004/0220022 A1 11/2004 McCreath

2011/0077135 A1 3/2011 Abbott
 2013/0059701 A1 * 3/2013 Santa Cruz A63B 23/1236
 482/108
 2014/0024507 A1 * 1/2014 Hagos A63B 21/4049
 482/108
 2014/0141944 A1 5/2014 Johnson et al.
 2015/0352398 A1 * 12/2015 Chang A63B 21/072
 482/93
 2015/0360074 A1 12/2015 Jung
 2016/0175678 A1 6/2016 Branch
 2016/0317857 A1 * 11/2016 Sorin A63B 21/0004
 2016/0346162 A1 * 12/2016 Powers A61H 15/02
 2017/0136283 A1 * 5/2017 Sorin A63B 21/4035
 2019/0269981 A1 * 9/2019 Jordan A63B 21/028

OTHER PUBLICATIONS

Youtube, “Rogue Thompson Fatbells Review”, Dec. 24, 2015.
<https://www.youtube.com/watch?v=bwwjzaol0XE>. Shown at the 05:45
 minute mark. (Year: 2015).*
 Motordoc. “Variety of Fatbell Uses Nov. 6, 2015” Youtube, Nov. 14,
 2015, <https://www.youtube.com/watch?v=dmpapWHjpFc>, accessed
 on Apr. 18, 2019.
 Rogue Fitness, “Rogue Thompson Fatbells”, [https://www.roguefitness.
 com/rogue-thompson-fatbells](https://www.roguefitness.com/rogue-thompson-fatbells), accessed on Apr. 18, 2019.
 “Rogue Thompson Fatbells Review”, [www.garagegymreviews.com/
 rogue-thompson-fatbells-reviews/](http://www.garagegymreviews.com/rogue-thompson-fatbells-reviews/), downloaded from the Internet
 Apr. 4, 2019, pp. 1-10.
 “Sorinex—Center Mass Bells”, [web.archive.org/web/20160218192814/
 http://store.sorinex.com:80/Sorinex-Center-Mass-Bells-p/cmb.htm](http://web.archive.org/web/20160218192814/http://store.sorinex.com:80/Sorinex-Center-Mass-Bells-p/cmb.htm),
 downloaded from the Internet Apr. 4, 2019, pp. 1-2.

* cited by examiner

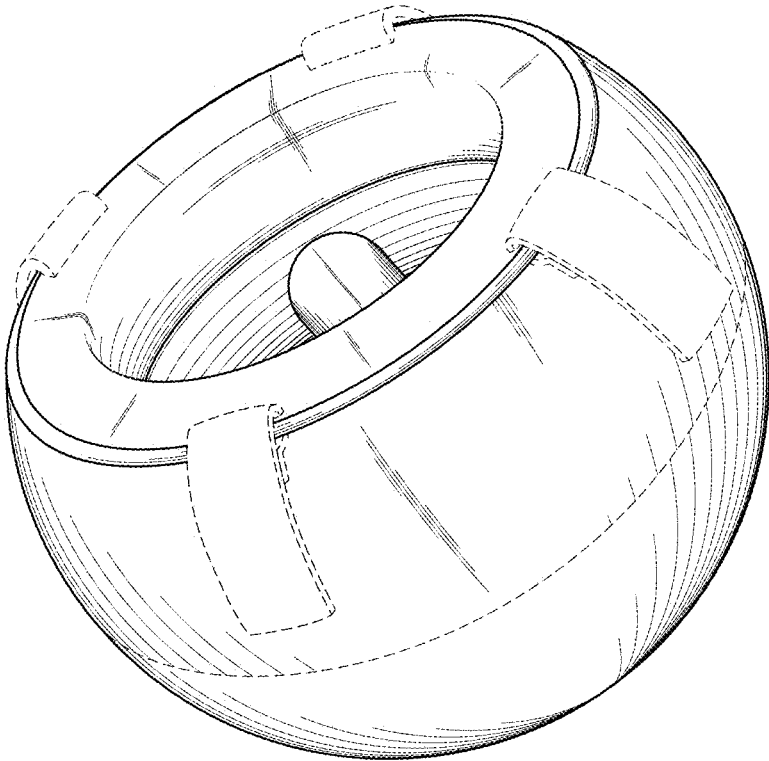


FIG. 1

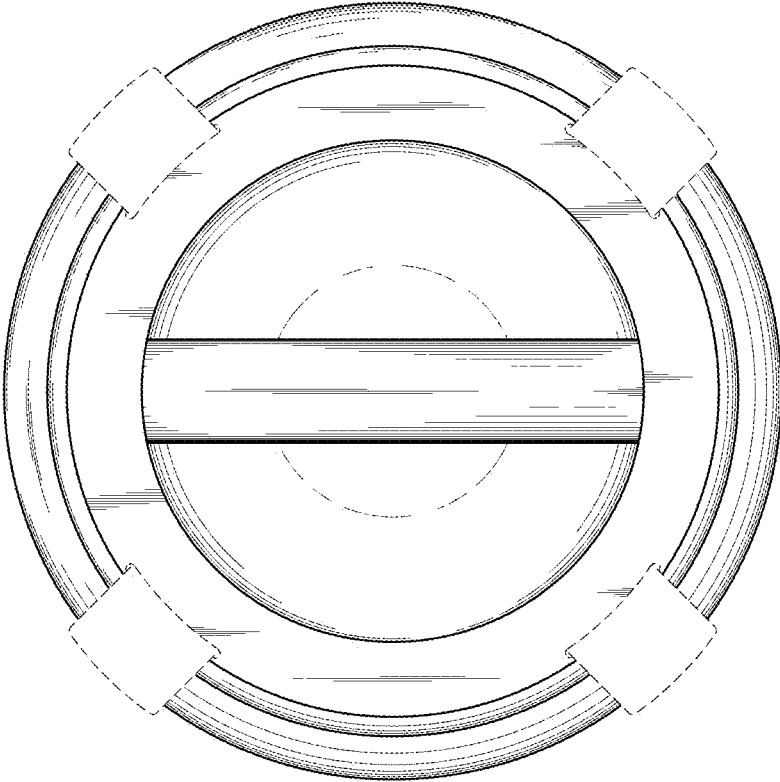


FIG. 2

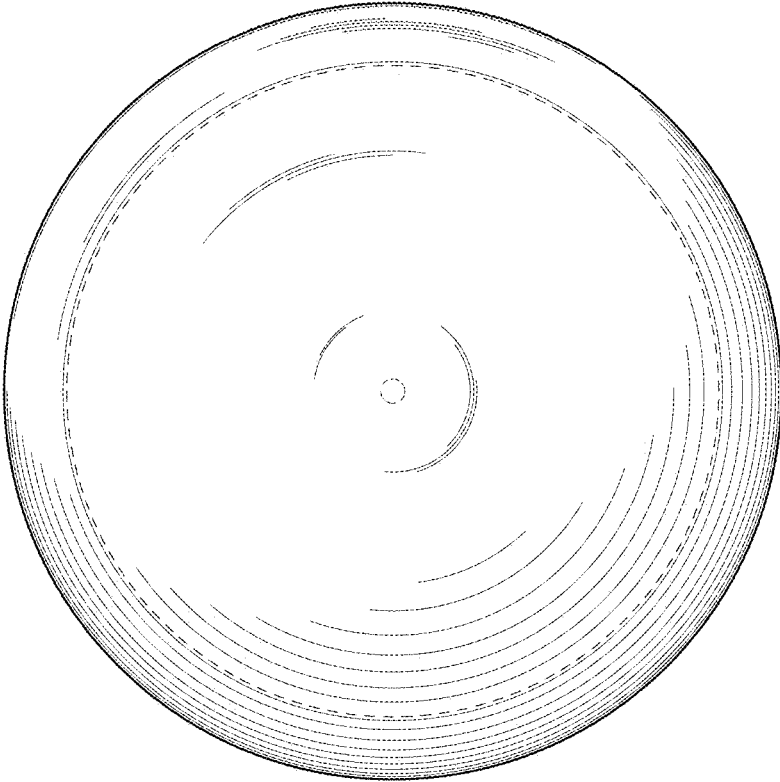


FIG. 3

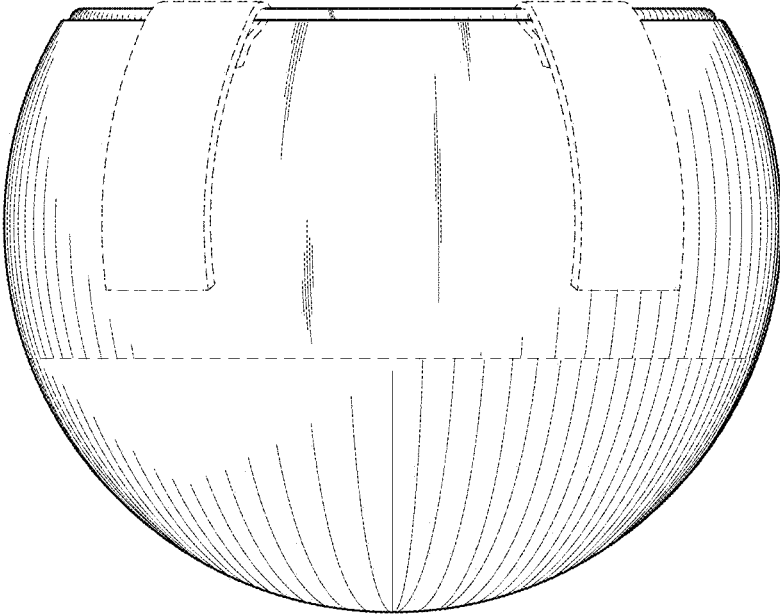


FIG. 4

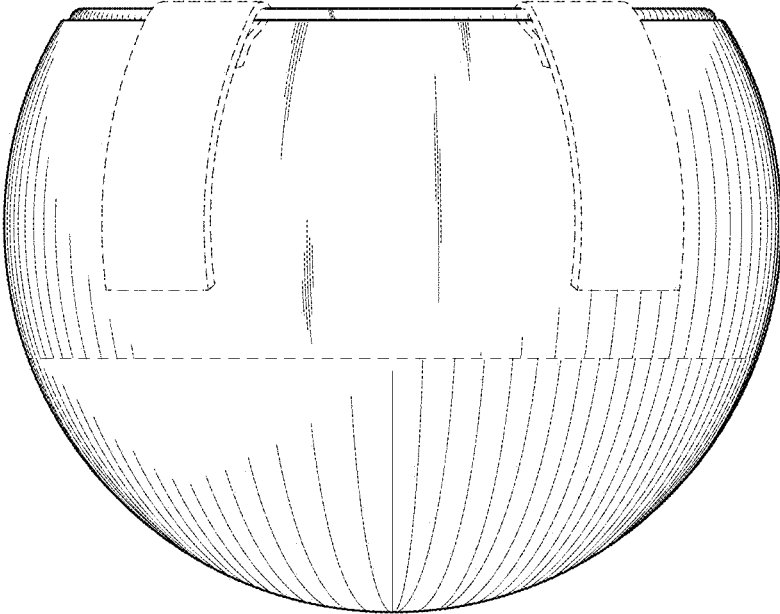


FIG. 5

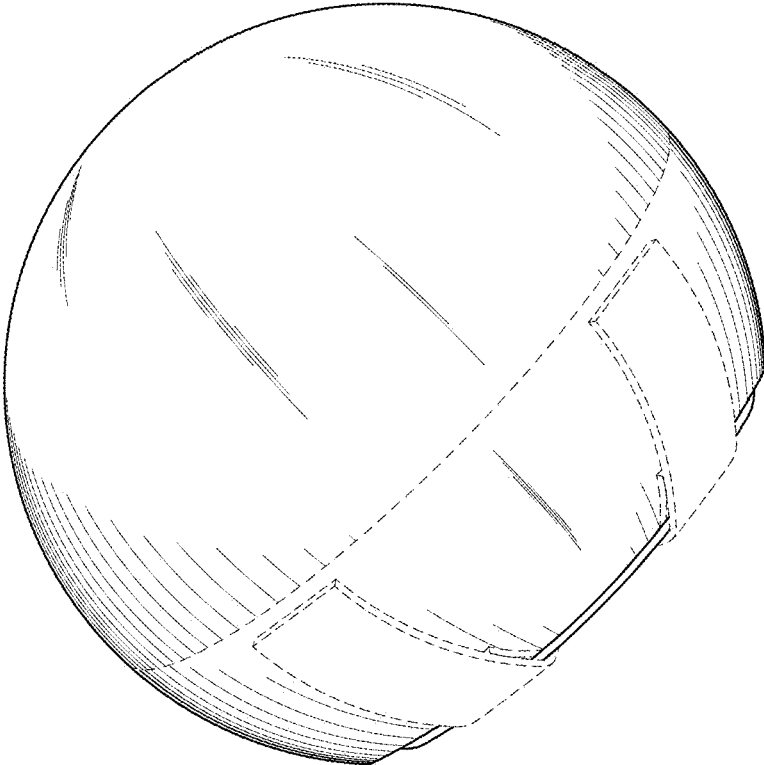


FIG. 6

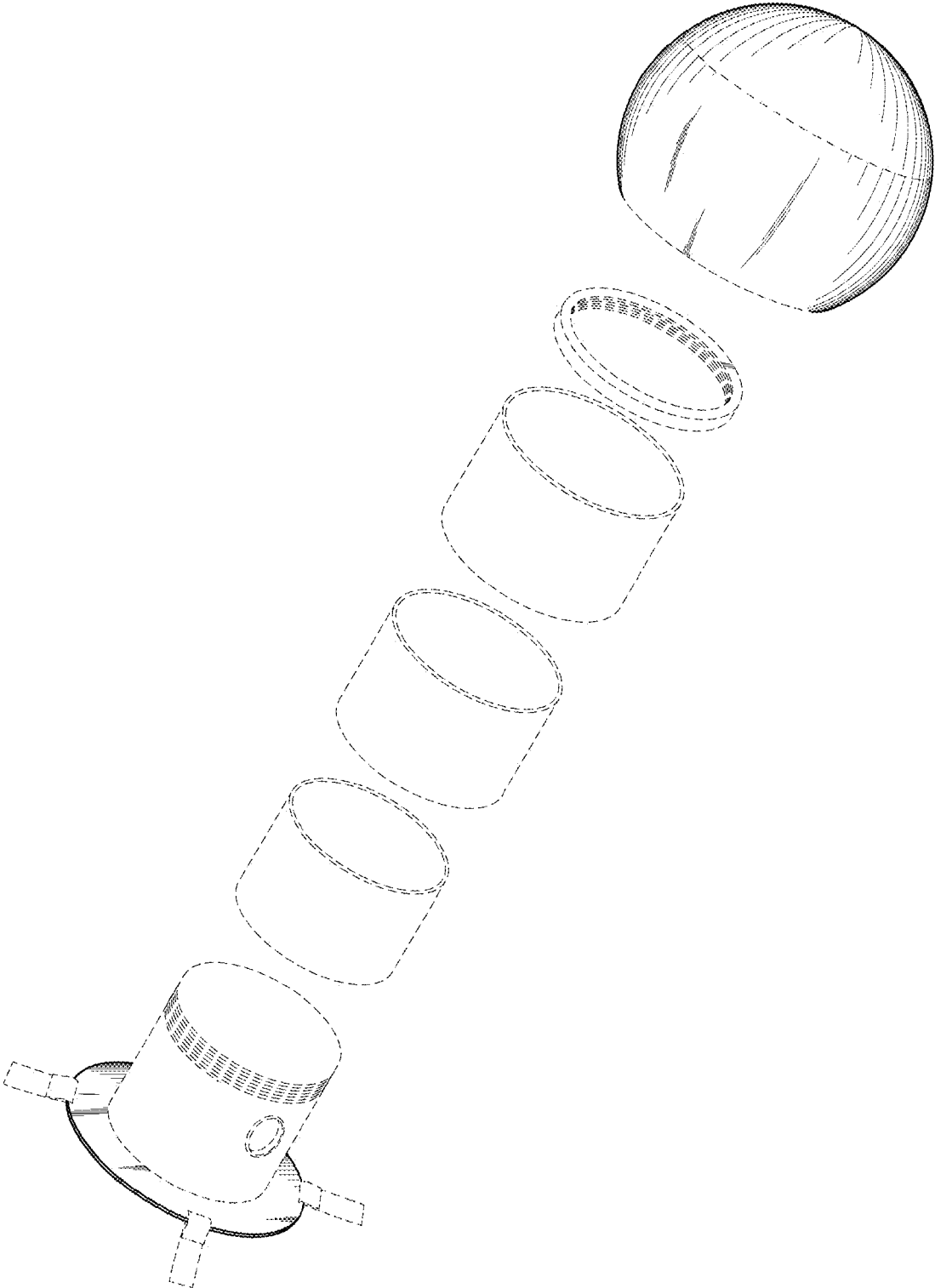


FIG. 7