



(12) **United States Design Patent**
Lu

(10) **Patent No.:** **US D906,502 S**
(45) **Date of Patent:** **** Dec. 29, 2020**

- (54) **AIR PURIFIER**
- (71) Applicant: **Zhuhai Large Horse Electrical Appliance Co., Ltd., Zhuhai (CN)**
- (72) Inventor: **Jing Lu, Zhuhai (CN)**
- (73) Assignee: **Zhuhai Large Horse Electrical Appliance Co., Ltd., Zhuhai (CN)**
- (**) Term: **15 Years**
- (21) Appl. No.: **29/703,400**
- (22) Filed: **Aug. 27, 2019**
- (51) **LOC (12) Cl.** **23-04**
- (52) **U.S. Cl.**
USPC **D23/364**
- (58) **Field of Classification Search**
USPC D23/355-366, 352, 369, 332, 333, 335, D23/336, 342, 351; 422/120, 122; 55/356, 473, 504; 96/97; 261/DIG. 17, 261/DIG. 65, DIG. 88, DIG. 31
CPC .. A61L 9/16; A61L 9/22; B01D 47/00; B01D 47/027; B01D 2221/02; B01D 2259/4508; B03C 3/155; B03C 3/368; F24F 3/16; F24F 13/20; F24F 13/28; F24F 2001/0096
See application file for complete search history.

D402,741 S *	12/1998	Chen	D23/335
D616,377 S *	5/2010	Bussen	D13/162.1
D651,300 S *	12/2011	Xu	D23/342
D680,636 S *	4/2013	Ching	D23/356
D696,760 S *	12/2013	Wolf, II	D23/364
D838,824 S *	1/2019	Sun	D23/364
D884,864 S *	5/2020	Sun	D23/364
D886,270 S *	6/2020	Walton	D23/359
D887,982 S *	6/2020	Schmidt	D13/122
2011/0165018 A1 *	7/2011	Lynn	A61K 8/22 422/4
2017/0015556 A1 *	1/2017	Hart	C01B 13/11

* cited by examiner

Primary Examiner — David G Muller
(74) *Attorney, Agent, or Firm* — ScienBiziP, P.C.

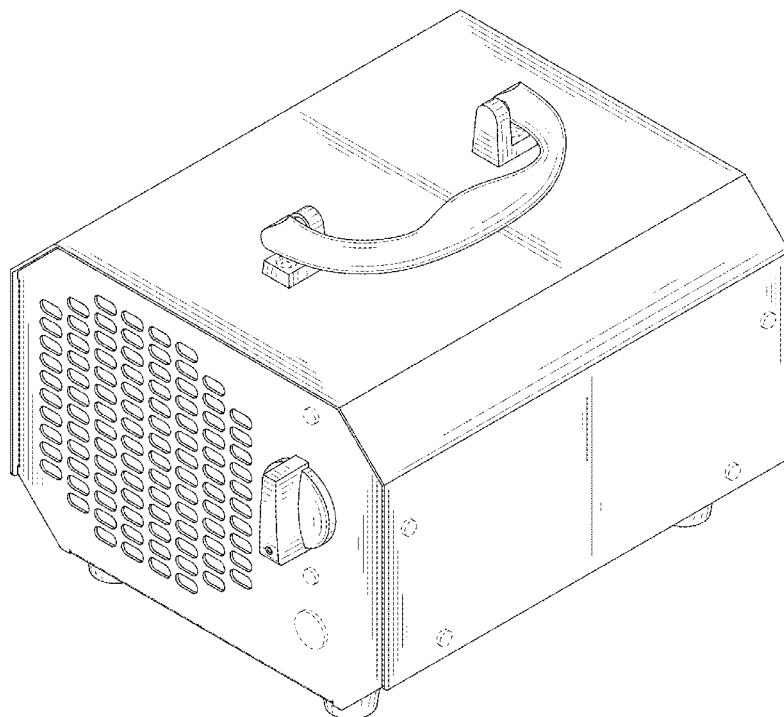
(57) **CLAIM**
The ornamental design for an air purifier, as shown and described.

DESCRIPTION

FIG. 1 is a first perspective view of an air purifier, showing my design.
FIG. 2 is a second perspective view thereof.
FIG. 3 is a front elevation view thereof.
FIG. 4 is a rear elevation view thereof.
FIG. 5 is a left side elevation view thereof.
FIG. 6 is a right side elevation view thereof.
FIG. 7 is a top plan view thereof.
FIG. 8 is a bottom plan view thereof; and,
FIG. 9 is an enlarged view of an area labeled 9 in FIG. 2 of the air purifier.
The details shown in broken lines form no part of the claimed design.

1 Claim, 9 Drawing Sheets

- (56) **References Cited**
U.S. PATENT DOCUMENTS
D255,486 S * 6/1980 Bender D23/355
D361,828 S * 8/1995 Chen D23/332



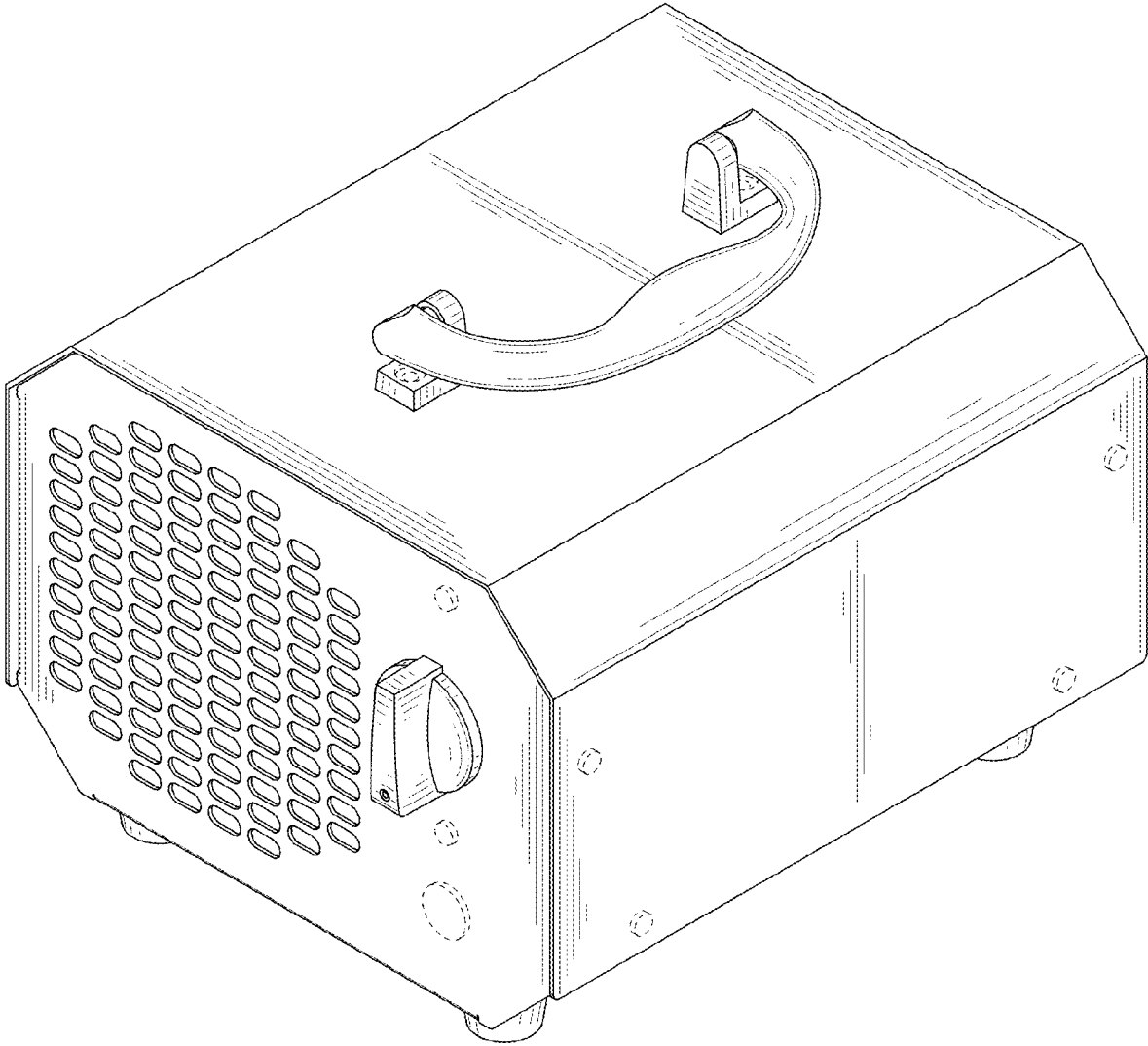


FIG. 1

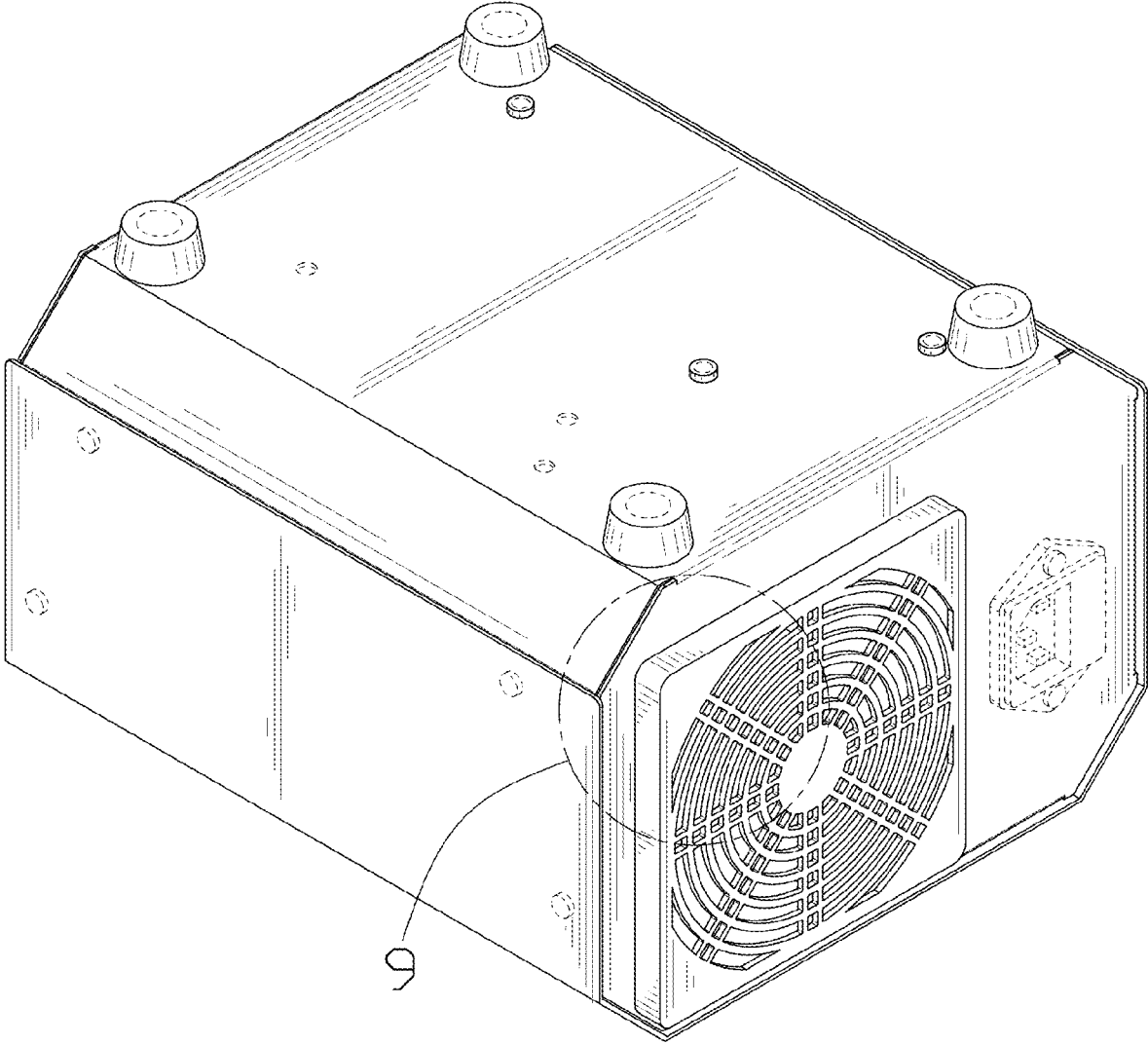


FIG. 2

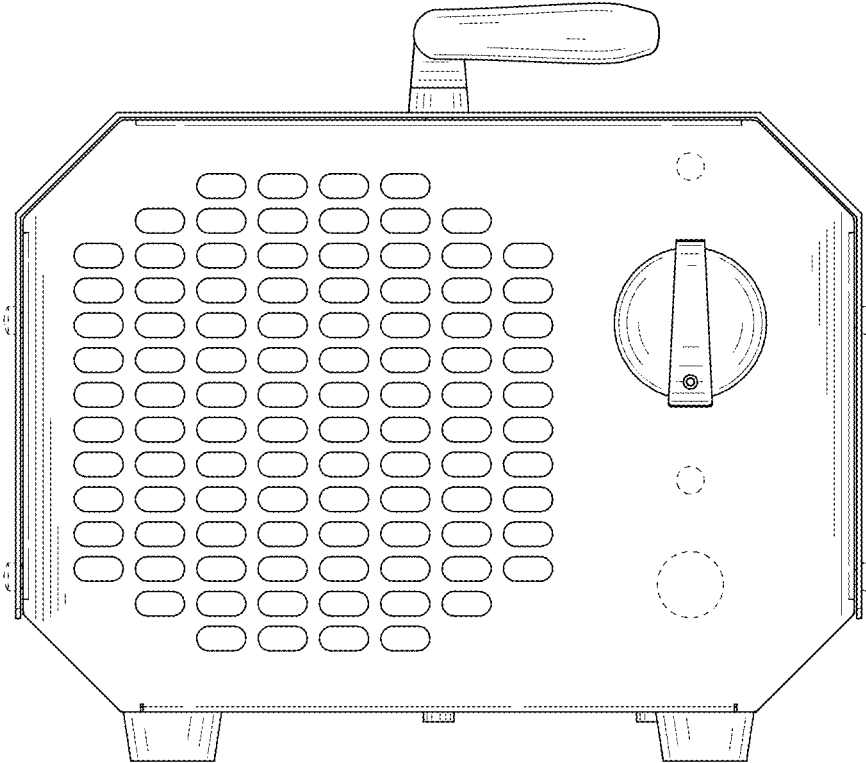


FIG. 3

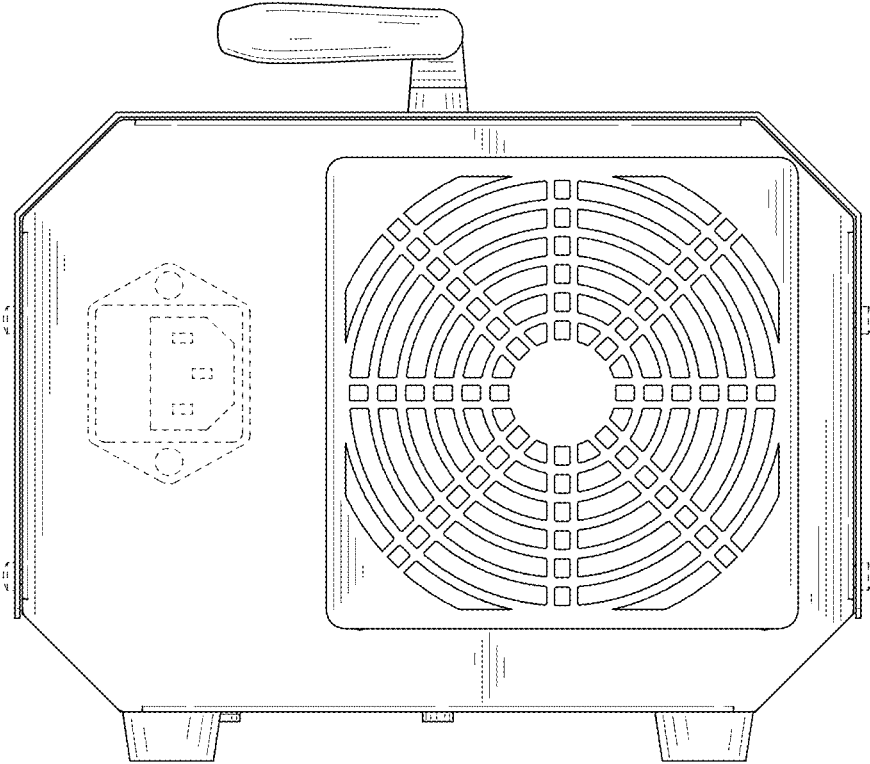


FIG. 4

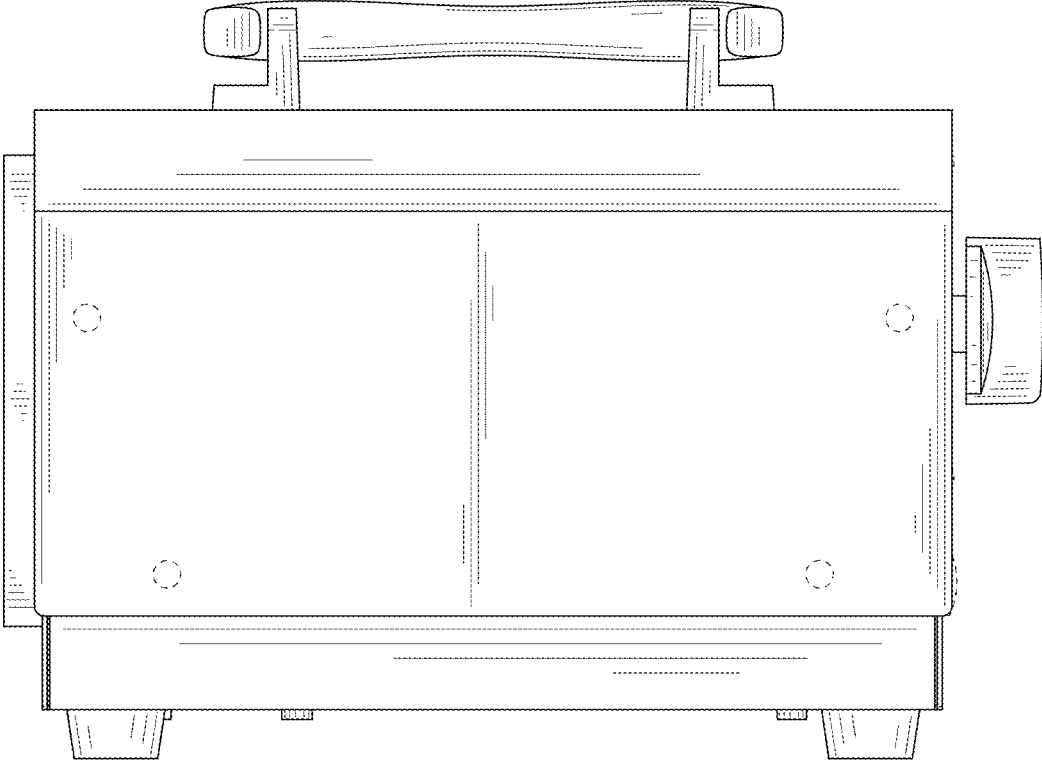


FIG. 5

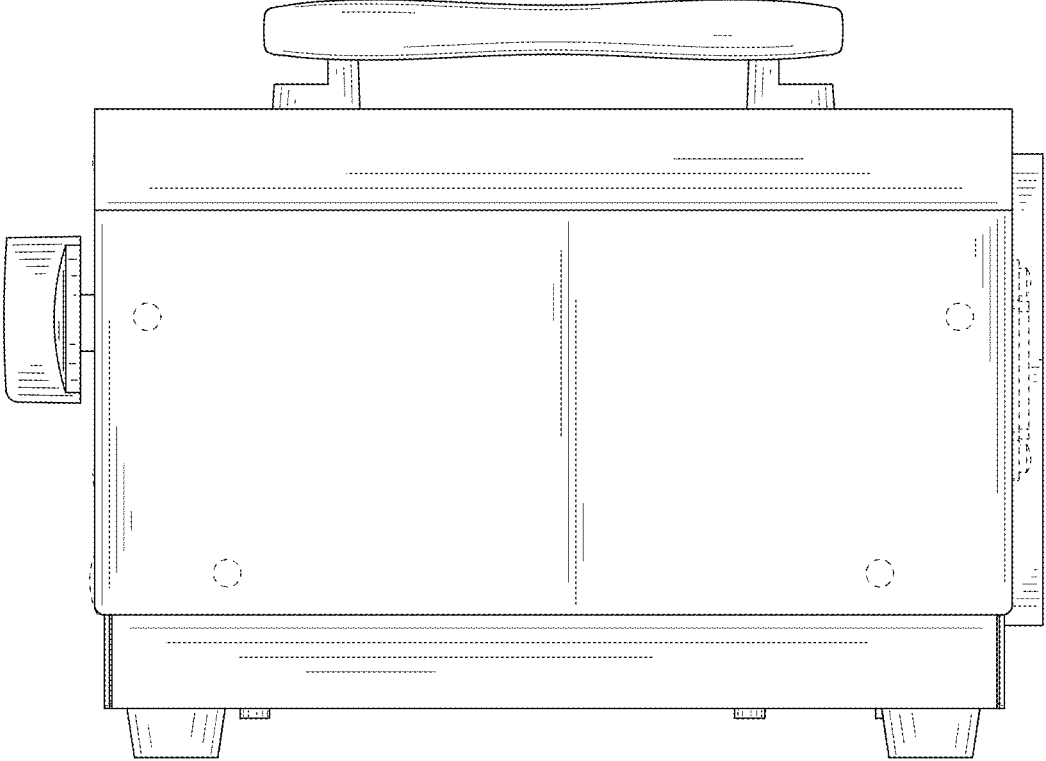


FIG. 6

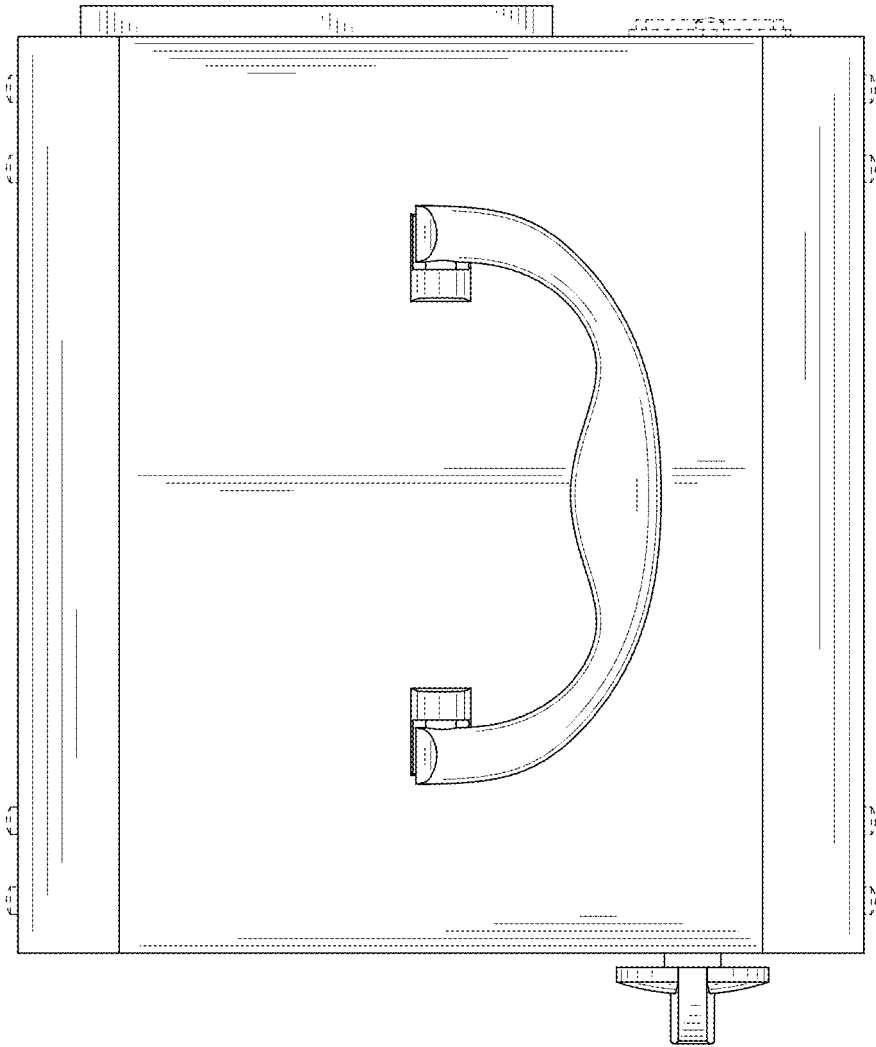


FIG. 7

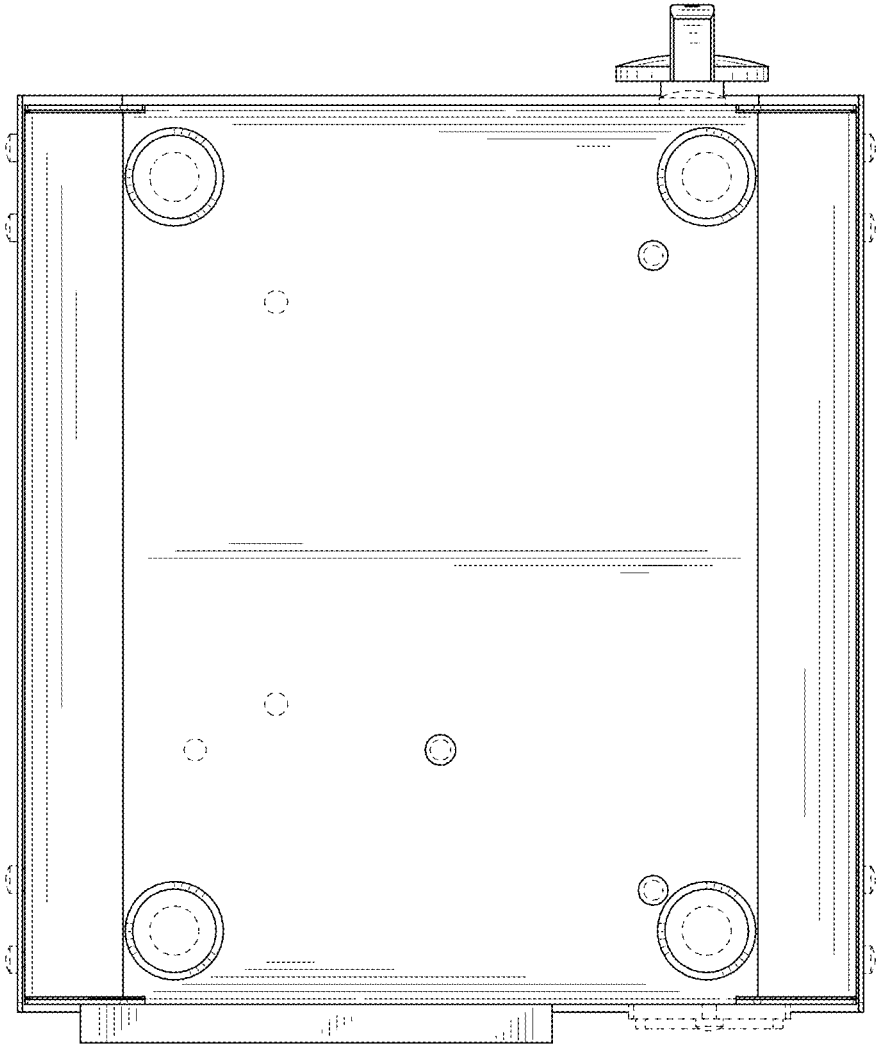


FIG. 8

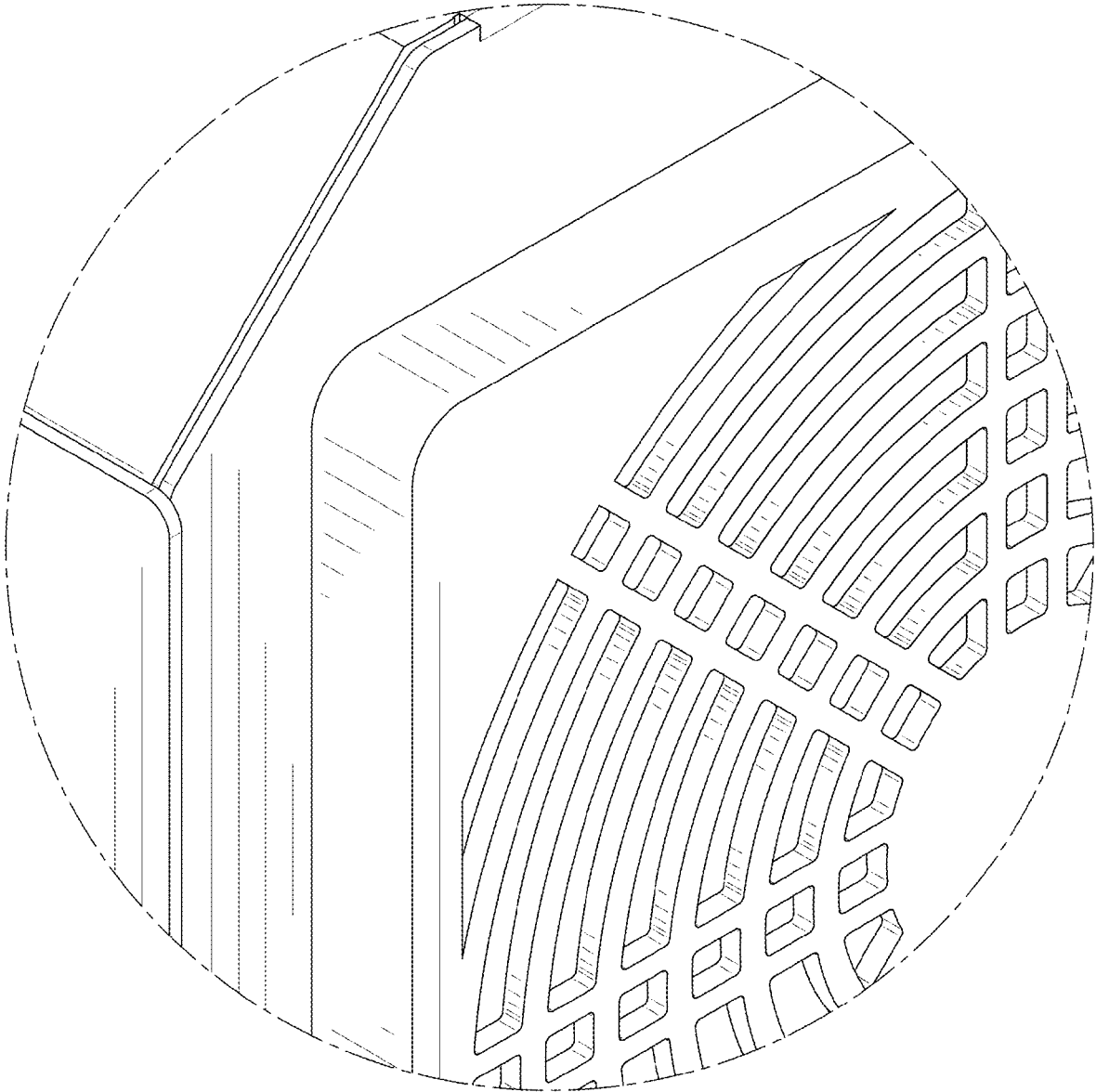


FIG. 9