



US00D938941S

(12) **United States Design Patent**
Iwahori et al.

(10) **Patent No.:** **US D938,941 S**

(45) **Date of Patent:** **** Dec. 21, 2021**

(54) **EARPHONE**

FOREIGN PATENT DOCUMENTS

(71) Applicant: **Audio-Technica Corporation**, Tokyo (JP)

CN 305996535 * 12/2019
CN 306078609 * 9/2020

(Continued)

(72) Inventors: **Keigo Iwahori**, Hukui (JP); **Toru Ueno**, Hukui (JP); **Toru Fusejima**, Tokyo (JP)

OTHER PUBLICATIONS

(73) Assignee: **AUDIO-TECHNICA CORPORATION**, Tokyo (JP)

Audio-Technica Consumer ATH-CKR7TW True Wireless In-Ear Headphones, announced Jul. 13, 2020 [online], retrieved May 19, 2021, retrieved from internet, https://www.bhphotovideo.com/c/product/1448953-REG/audio_technica_consumer_ath_ckr7twbk_ath_ckr7tw_true_wireless_in_ear.html.*

(Continued)

(**) Term: **15 Years**

(21) Appl. No.: **29/742,193**

Primary Examiner — Dana K Weiland

Assistant Examiner — Messina L Smith

(22) Filed: **Apr. 15, 2020**

(74) *Attorney, Agent, or Firm* — W&C IP

(30) **Foreign Application Priority Data**

Oct. 16, 2019 (JP) 2019-023097

(51) **LOC (13) Cl.** **14-01**

(52) **U.S. Cl.**

USPC **D14/223**

(58) **Field of Classification Search**

USPC ... D14/205, 207, 217, 221, 223, 224, 224.1, D14/225, 216; D24/173, 174

CPC H04R 1/10; H04R 1/1016; H04R 1/1066; H04R 1/1033; H04R 1/08; H04R 5/033; H04R 5/0335; H04R 25/00

See application file for complete search history.

(57) **CLAIM**

The ornamental design for an earphone, as shown and described.

DESCRIPTION

FIG. 1 is a front, top, right side perspective view of an earphone, showing our new design;

FIG. 2 is a rear, bottom, left side perspective view of the earphone;

FIG. 3 is a front elevational view of the earphone;

FIG. 4 is a rear elevational view of the earphone;

FIG. 5 is a top plan view of the earphone;

FIG. 6 is a bottom plan view of the earphone;

FIG. 7 is a right side elevational view of the earphone;

FIG. 8 is a left side elevational view of the earphone;

FIG. 9 is an enlarged partial cross sectional view of the earphone taken in the direction of line 9-9 within the bounds 9 in FIG. 7; and,

FIG. 10 is a cross sectional view of the earphone taken in the direction of line 10-10 in FIG. 4.

Portions of the earphone shown in broken lines form no part of the claimed design.

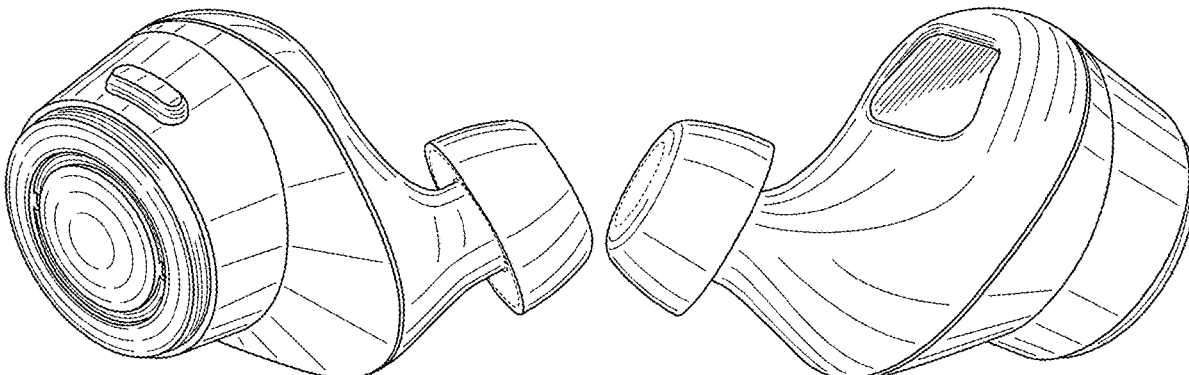
(56) **References Cited**

U.S. PATENT DOCUMENTS

D733,103 S *	6/2015	Jeong	D14/224
D777,710 S *	1/2017	Palmborg	D14/223
D813,205 S *	3/2018	Palmborg	D14/223
D813,848 S *	3/2018	Palmborg	D14/223
D826,211 S *	8/2018	Kim	D14/206
D843,353 S *	3/2019	Zhang	D14/223

(Continued)

1 Claim, 10 Drawing Sheets



(56)

References Cited

U.S. PATENT DOCUMENTS

D845,932 S * 4/2019 Lu D14/223
 D847,126 S * 4/2019 Loermann D14/223
 D868,752 S * 12/2019 Zhu D14/223
 D871,376 S * 12/2019 Zhou D14/223
 D872,063 S * 1/2020 Arimoto D14/223
 D872,064 S * 1/2020 Cai D14/223
 D887,395 S * 6/2020 Wang D14/223
 D895,580 S * 9/2020 Yu D14/223
 D897,322 S * 9/2020 Wei D14/223
 D902,185 S * 11/2020 Xian D14/223
 D902,892 S * 11/2020 Liu D14/223
 10,827,249 B1 * 11/2020 Pine H04R 1/1016
 D903,638 S * 12/2020 Li D14/223
 D906,292 S * 12/2020 Wang D14/223
 D908,667 S * 1/2021 He D14/223
 D909,995 S * 2/2021 Cai D14/223
 D912,016 S * 3/2021 Ando D14/223
 D915,358 S * 4/2021 Ma D14/223
 D916,054 S * 4/2021 Sretovic D14/223
 D917,426 S * 4/2021 Yang D14/223
 D918,181 S * 5/2021 Bailey D14/223
 D918,873 S * 5/2021 Deng D14/223
 2014/0064548 A1 * 3/2014 Chu H04R 1/1091
 381/380
 2021/0044885 A1 * 2/2021 Fukahori G06F 3/044

FOREIGN PATENT DOCUMENTS

CN 306092619 * 10/2020
 JP D1668988 * 9/2020
 KR 301078417.0000 * 10/2020

OTHER PUBLICATIONS

CES 2020: Audio-Technica Launches ATH-ANC300TW True Wireless Earphones With Active Noise Cancellation, announced Jan. 8, 2020 [online], retrieved May 19, 2021, retrieved from internet, <https://gadgets.ndtv.com/audio/news/audio-technica-ces-2020-ath-anc300tw-price-usd-249-launch-specifications-2160595>.
 Audio-Technica ATH-CKR7TW true wireless headphones review, announced Feb. 6, 2019 [online], retrieved May 19, 2021, retrieved from internet, <https://www.digitaltrends.com/headphone-reviews/audio-technica-ath-ckr7tw-wireless-headphones-review/>.
 11 Best Noise Cancelling Earbuds: Buyer's Guide, announced Feb. 15, 2021 [online], retrieved May 19, 2021, retrieved from internet, <https://heavy.com/tech/2020/05/best-noise-cancelling-earbuds/>.

* cited by examiner

FIG. 1

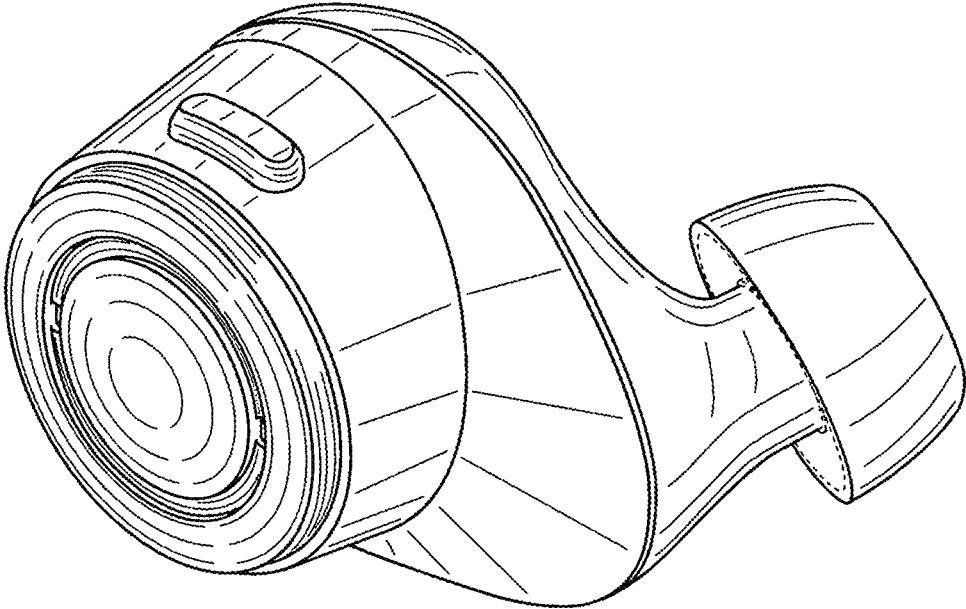


FIG. 2

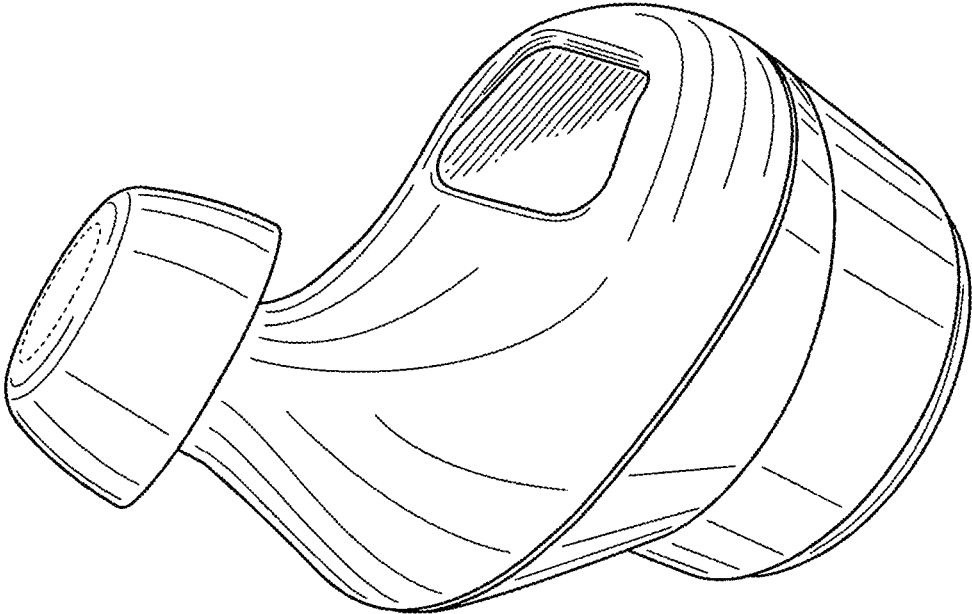


FIG. 3

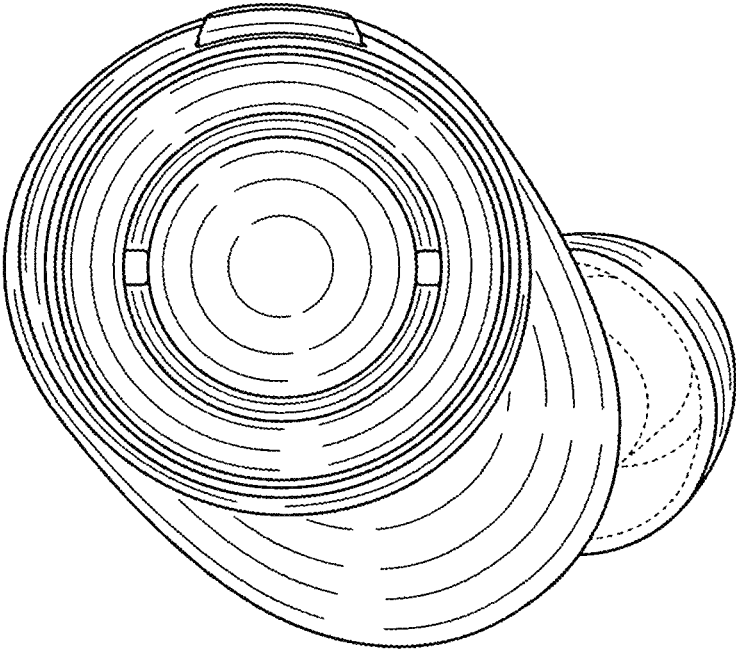


FIG. 4

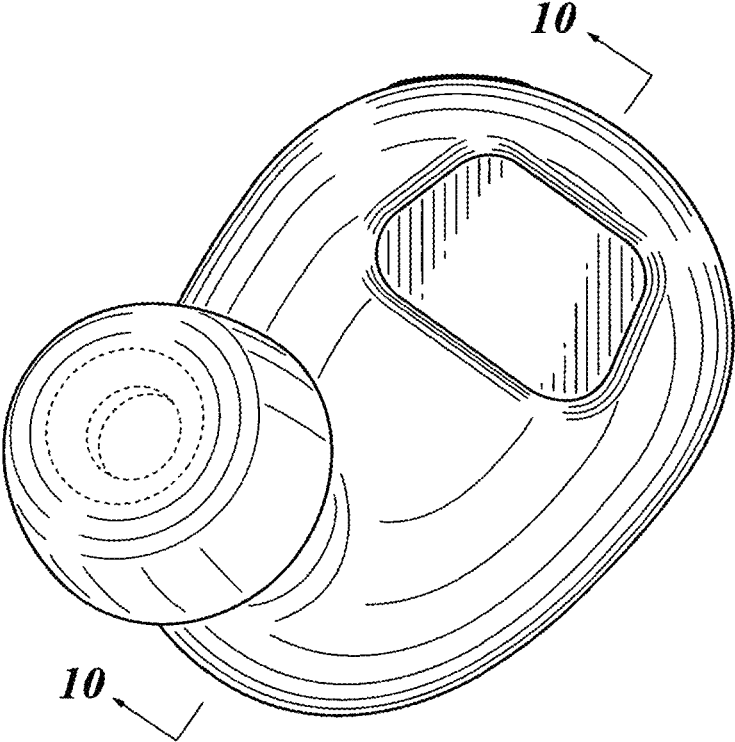


FIG. 5

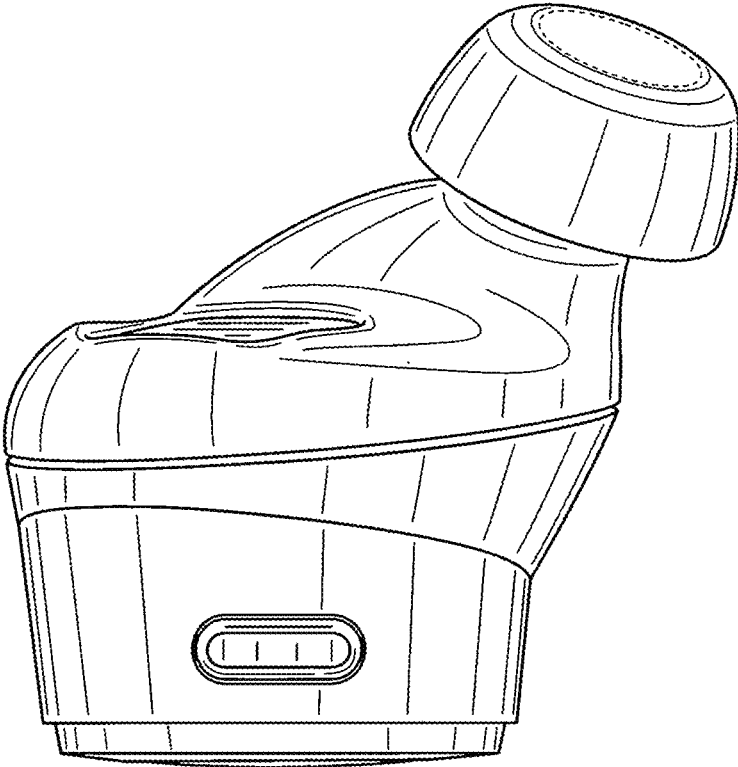


FIG. 6

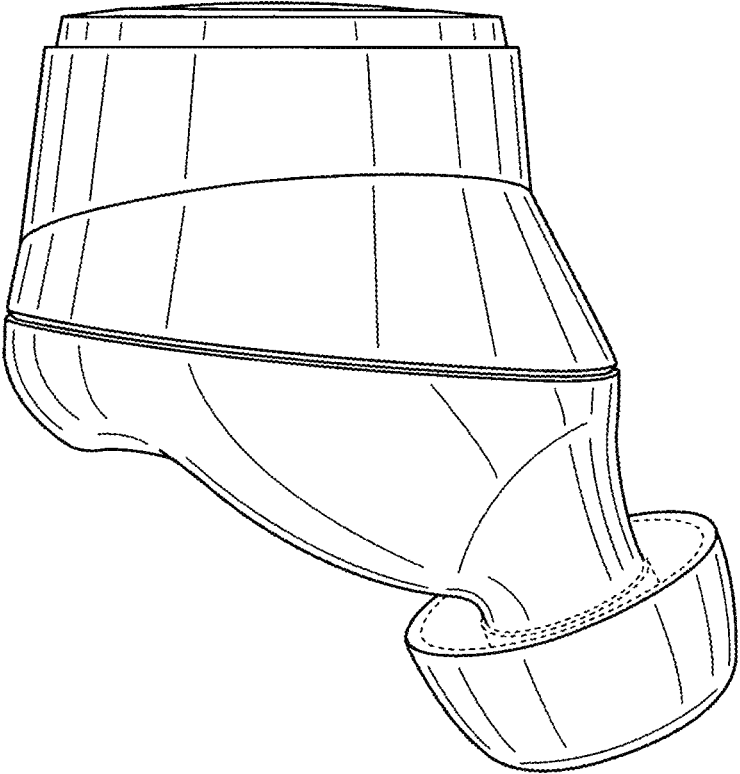


FIG. 7

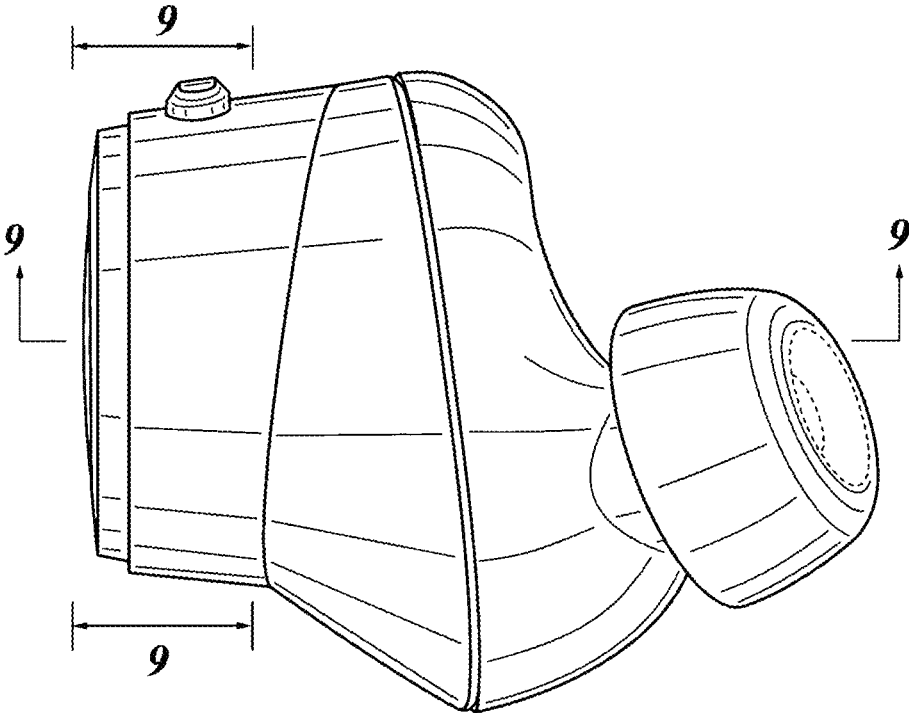


FIG. 8

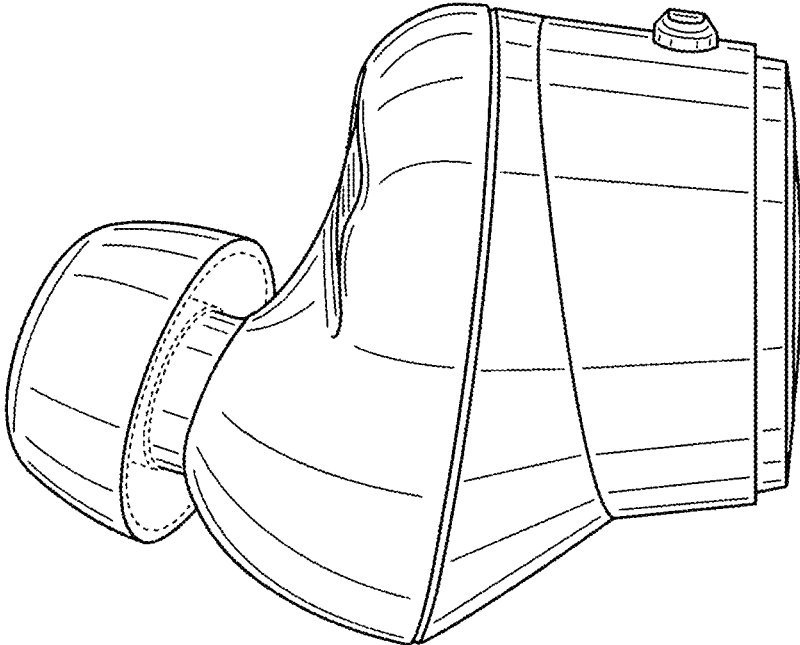


FIG. 9

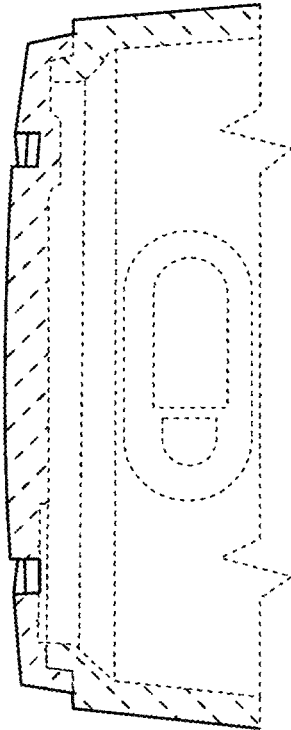


FIG. 10

