



US00D921638S

(12) **United States Design Patent**
Li

(10) **Patent No.:** **US D921,638 S**

(45) **Date of Patent:** **** Jun. 8, 2021**

(54) **PROTECTIVE COVER FOR TABLET**

(71) Applicant: **SHENZHEN HONGGAODA INDUSTRY CO., LTD.**, Shenzhen (CN)

(72) Inventor: **Jianhui Li**, Shenzhen (CN)

(73) Assignee: **SHENZHEN HONGGAODA INDUSTRY CO., LTD.**, Shenzhen (CN)

(**) Term: **15 Years**

(21) Appl. No.: **29/734,747**

(22) Filed: **May 15, 2020**

(30) **Foreign Application Priority Data**

Dec. 27, 2019 (CN) 201930733445.4

(51) **LOC (13) Cl.** **14-02**

(52) **U.S. Cl.**
USPC **D14/440**

(58) **Field of Classification Search**
USPC D14/440, 447, 250; 206/45.23, 320,
206/45.2; 361/679.55; 294/25; 224/218
CPC ... G06F 1/1628; G06F 1/1626; A47B 23/044;
H04B 1/3888
See application file for complete search history.

(56) **References Cited**

U.S. PATENT DOCUMENTS

D689,056	S	*	9/2013	Li	D14/440
D690,704	S	*	10/2013	Padilla	D14/440
D691,144	S	*	10/2013	Peters	D14/440
D691,146	S	*	10/2013	Perez	D14/440
D727,917	S	*	4/2015	Yeo	D14/440
D733,154	S	*	6/2015	Armstrong	D14/440
D752,052	S	*	3/2016	Park	D14/440
D763,853	S	*	8/2016	Pearce	D14/440

D766,249	S	*	9/2016	Veltz	D14/440
D784,350	S	*	4/2017	Li	D14/440
D784,542	S	*	4/2017	Zwierstra	D24/186
D790,550	S	*	6/2017	Chen	D14/440
D803,221	S	*	11/2017	Guo	D14/440
D806,080	S	*	12/2017	Chen	D14/440
D807,366	S	*	1/2018	Chen	D14/440
D807,369	S	*	1/2018	Chen	D14/440

(Continued)

Primary Examiner — Cynthia R Underwood

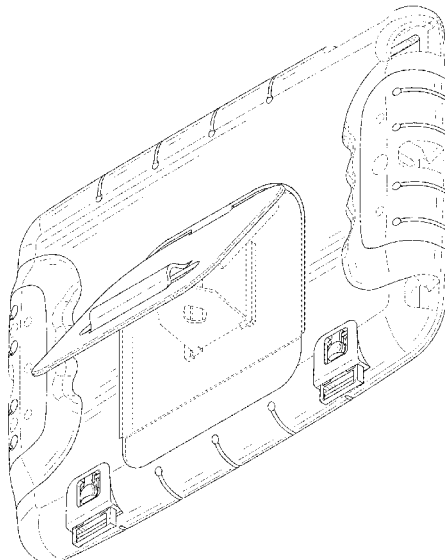
(57) **CLAIM**

The ornamental design for a protective cover for tablet, as shown and described.

DESCRIPTION

FIG. 1 is a perspective view of a protective cover for tablet showing my new design;
 FIG. 2 is another perspective view thereof;
 FIG. 3 is a front elevational view thereof;
 FIG. 4 is a rear elevational view thereof;
 FIG. 5 is a left side elevational view thereof;
 FIG. 6 is a right side elevational view thereof;
 FIG. 7 is a top plan view thereof;
 FIG. 8 is a bottom plan view thereof;
 FIG. 9 is a perspective view of the protective cover for tablet where the protective cover for tablet is a first configuration of use;
 FIG. 10 is a perspective view of the protective cover for tablet where the protective cover for tablet is in a second configuration of use;
 FIG. 11 is a perspective view of the protective cover for tablet where a tablet is accommodated in the protective cover for tablet; and,
 FIG. 12 is an enlarged view of portion 12 shown in FIG. 9. The broken lines in the drawings depict portions of the protective cover for tablet and the dot-dash-dot lines represent a marker for where the FIG. 12 was taken. Neither form any part of the claim.

1 Claim, 12 Drawing Sheets



(56)

References Cited

U.S. PATENT DOCUMENTS

D807,513	S	*	1/2018	Eslava	D24/186
D808,973	S	*	1/2018	Chen	D14/440
D811,412	S	*	2/2018	McCurdy	D14/440
D812,620	S	*	3/2018	Cheng	D14/440
D821,405	S	*	6/2018	Chen	D14/440
D852,200	S	*	6/2019	Chan	D14/440
D854,022	S	*	7/2019	Chen	D14/440
D860,212	S	*	9/2019	Ahn	D14/440
D862,442	S	*	10/2019	Wei	D14/250
D862,478	S	*	10/2019	Ahn	D14/440
D862,479	S	*	10/2019	Ahn	D14/440
D862,480	S	*	10/2019	Chan	D14/440
D879,104	S	*	3/2020	Li	D14/440
D879,789	S	*	3/2020	Li	D14/440
D881,197	S	*	4/2020	Chen	D14/440
D881,893	S	*	4/2020	Zanxiang	D14/440
D881,894	S	*	4/2020	Zhang	D14/440
D884,709	S	*	5/2020	Cheng	D14/440
D886,109	S	*	6/2020	Li	D14/440
D893,497	S	*	8/2020	Li	D14/440
D897,349	S	*	9/2020	Li	D14/440
2007/0113458	A1	*	5/2007	Wang	F16M 11/10 40/753
2012/0075799	A1	*	3/2012	Pollex	F16M 11/041 361/679.56
2012/0145843	A1	*	6/2012	Ho	F16M 13/00 248/176.3
2017/0045920	A1	*	2/2017	Armstrong	G06F 1/1669

* cited by examiner

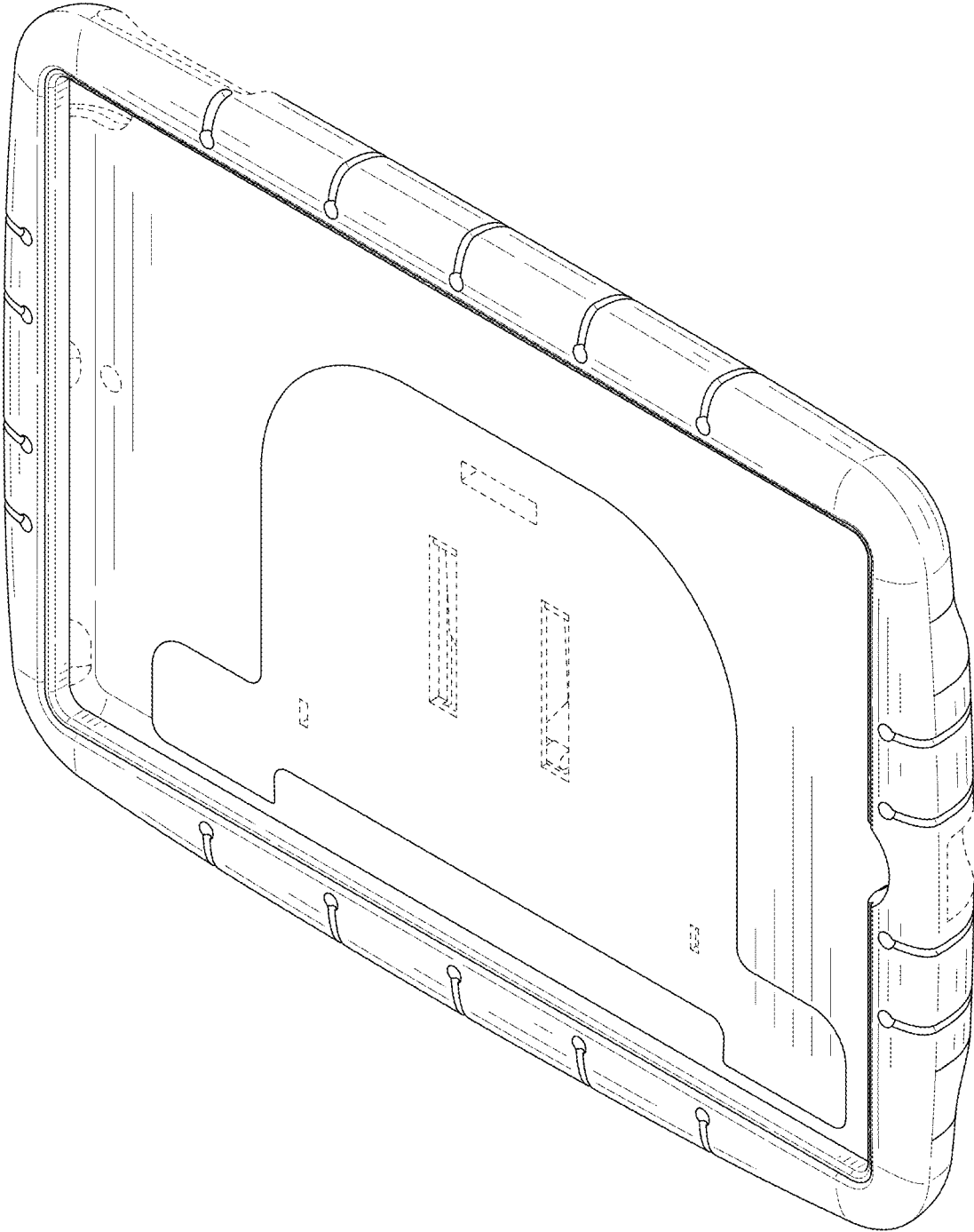


FIG. 1

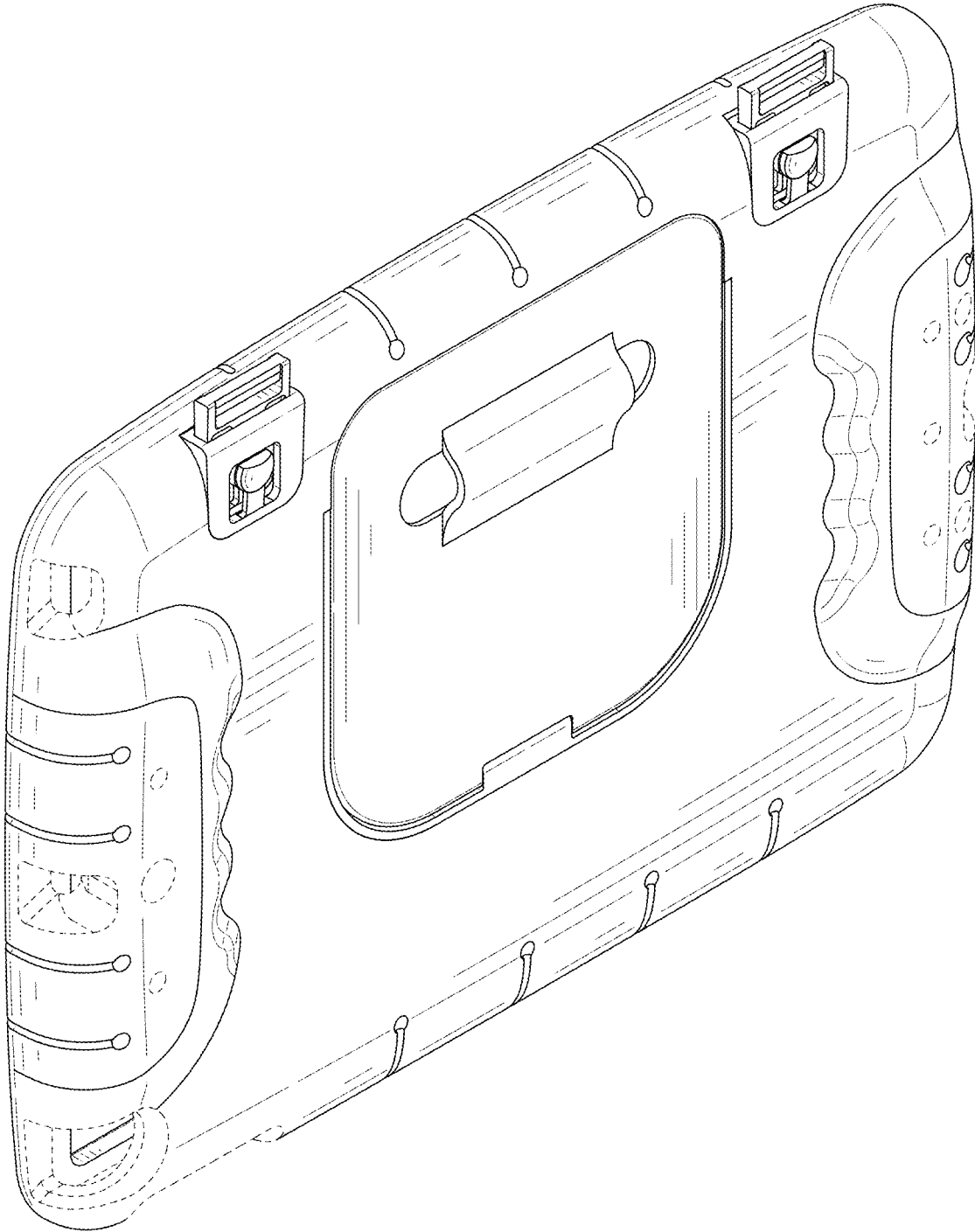


FIG. 2

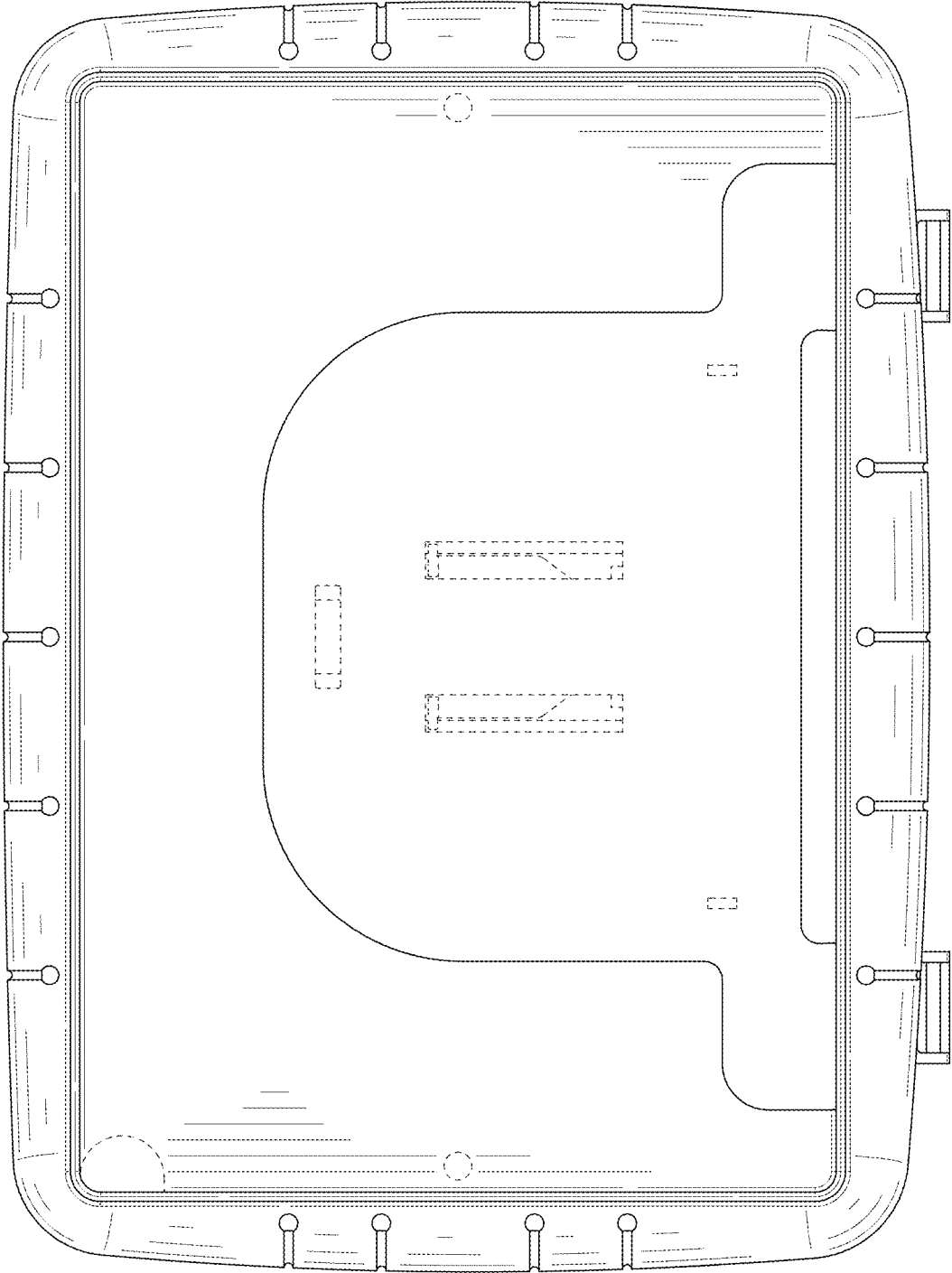


FIG. 3

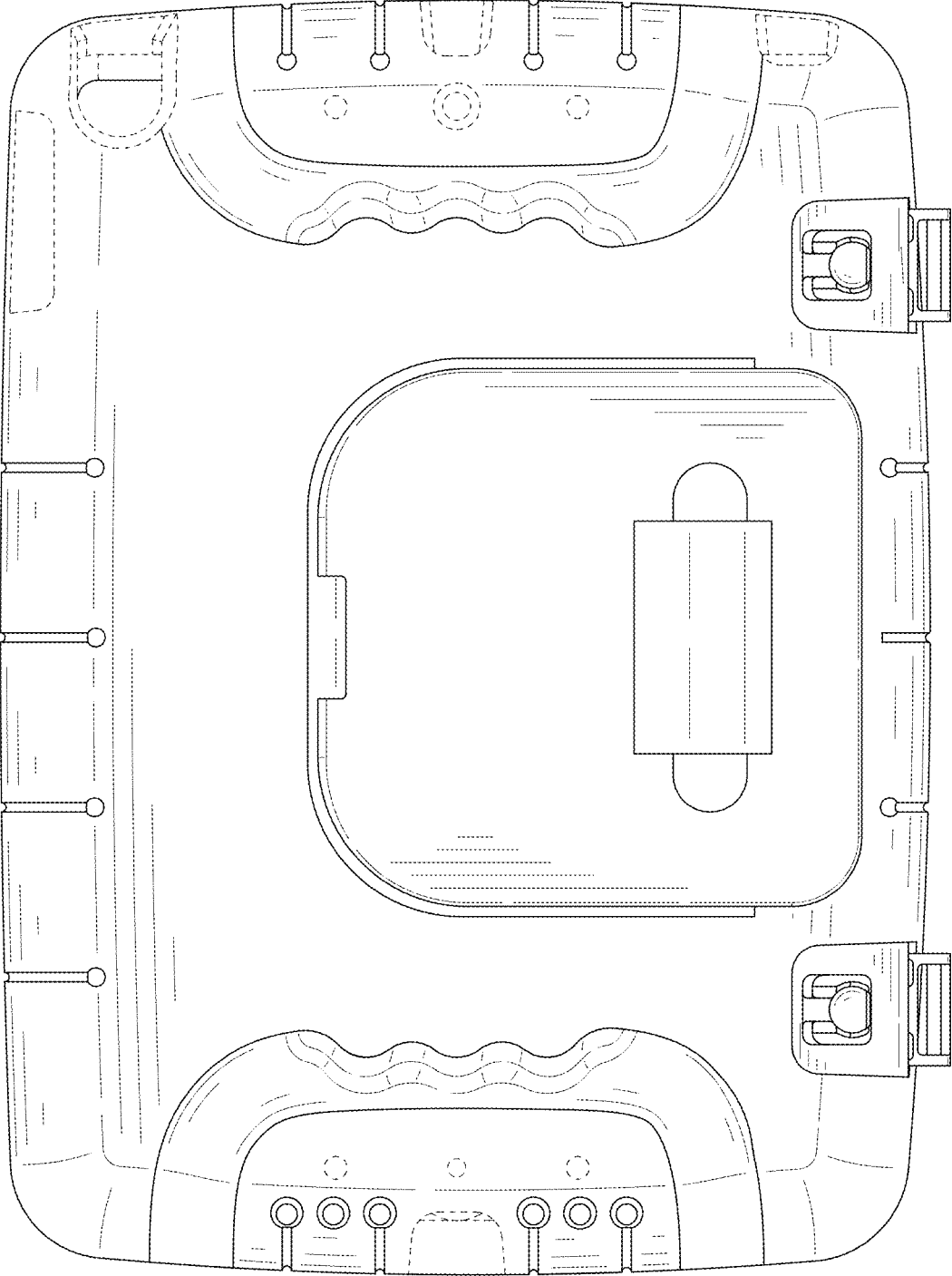


FIG. 4

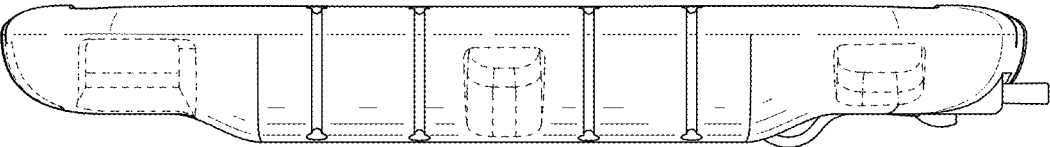


FIG. 5

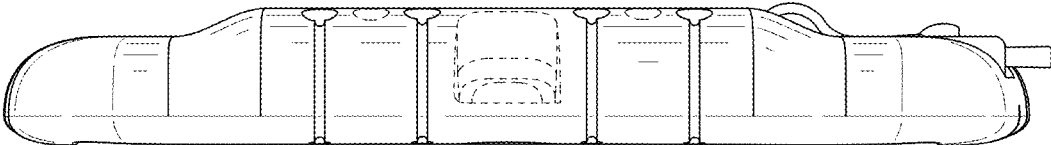


FIG. 6

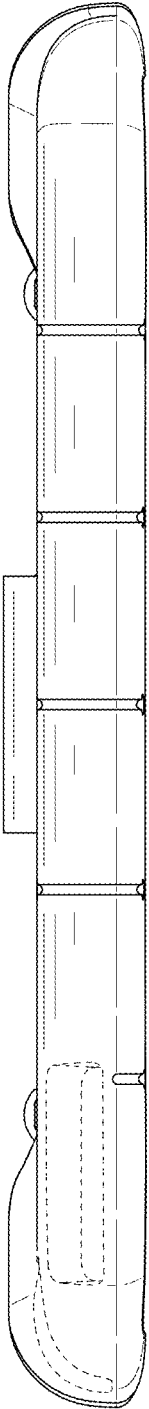


FIG. 7

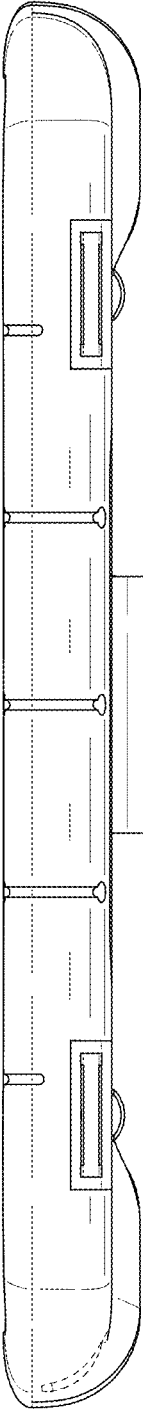


FIG. 8

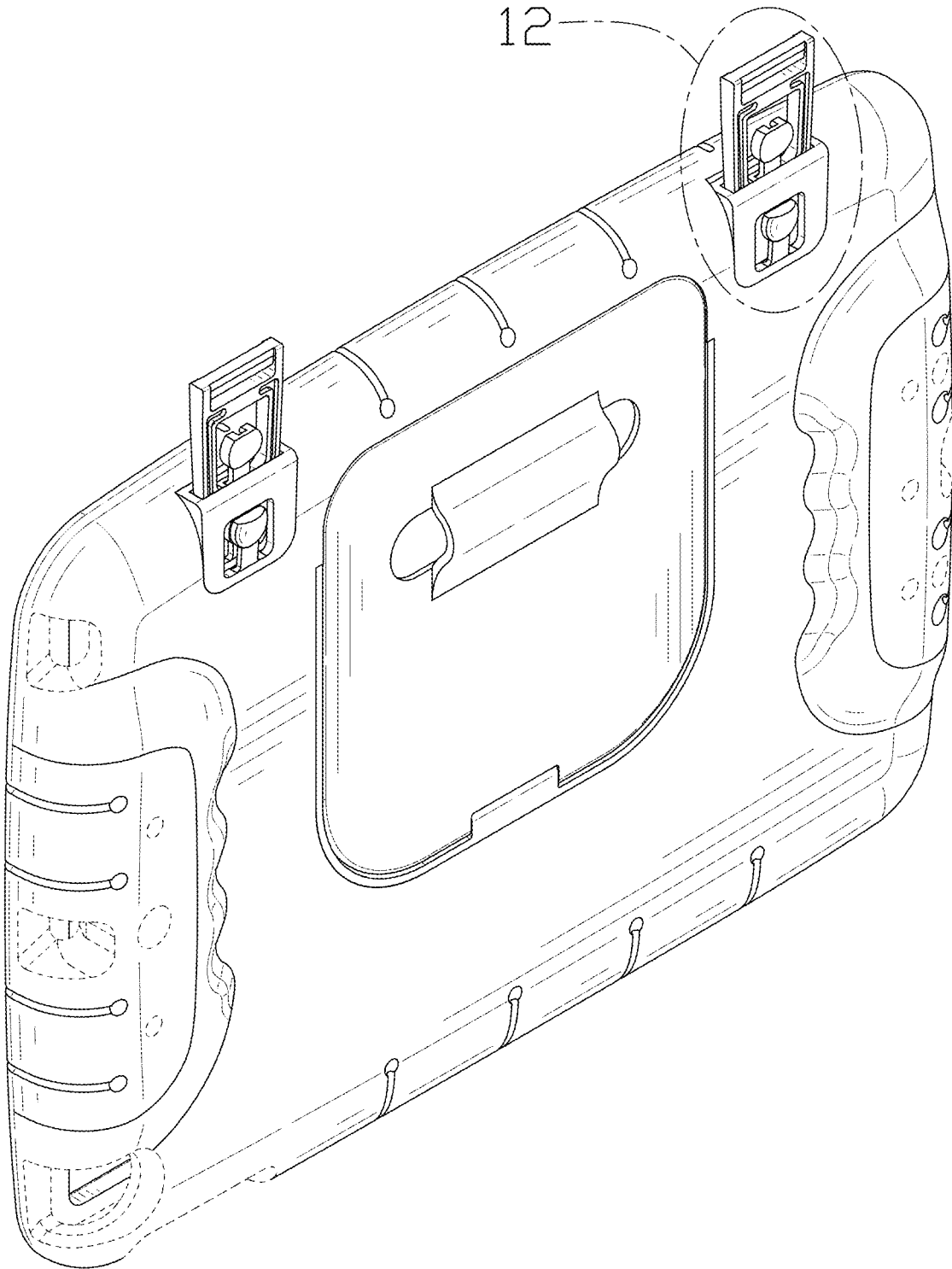


FIG. 9

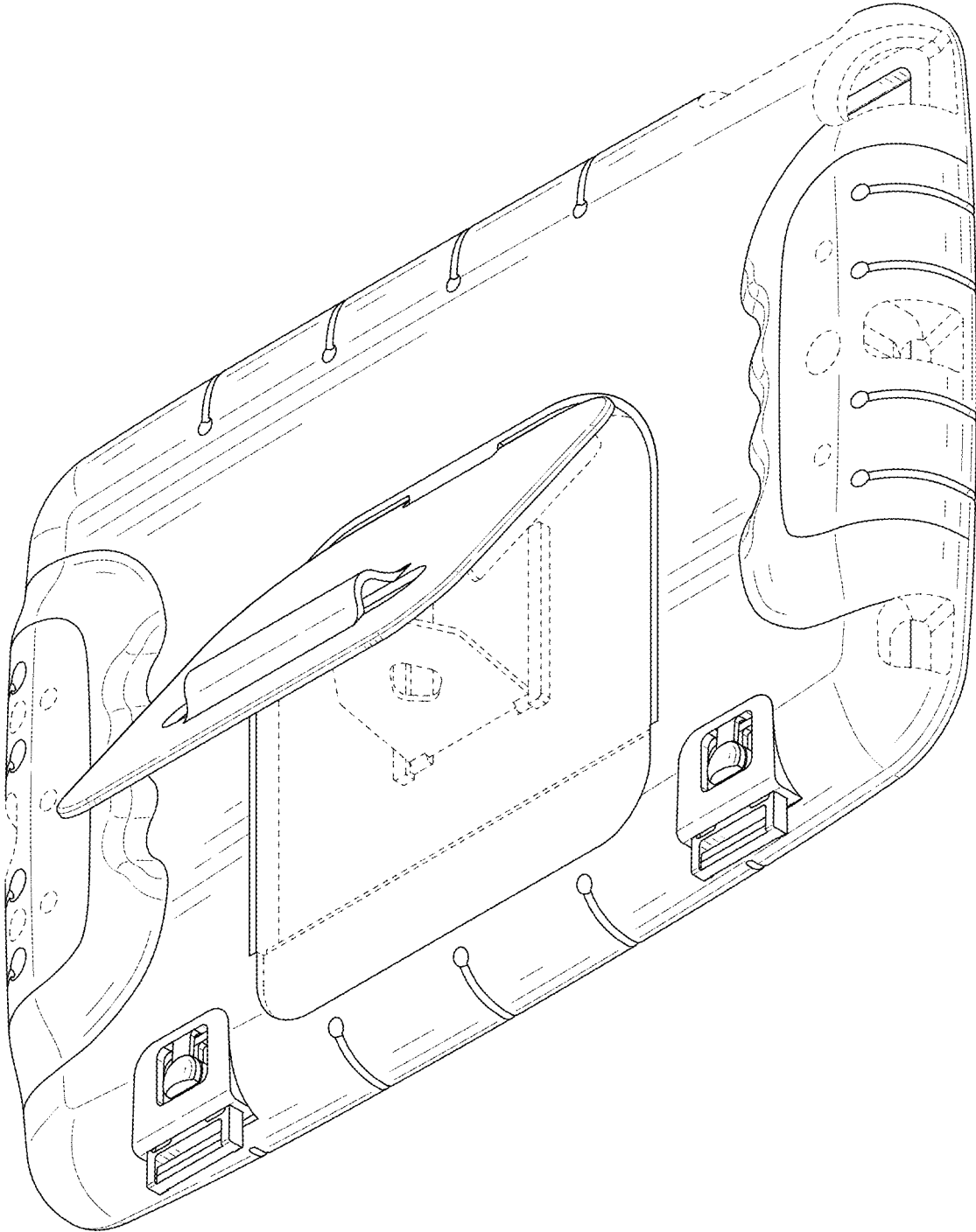


FIG. 10

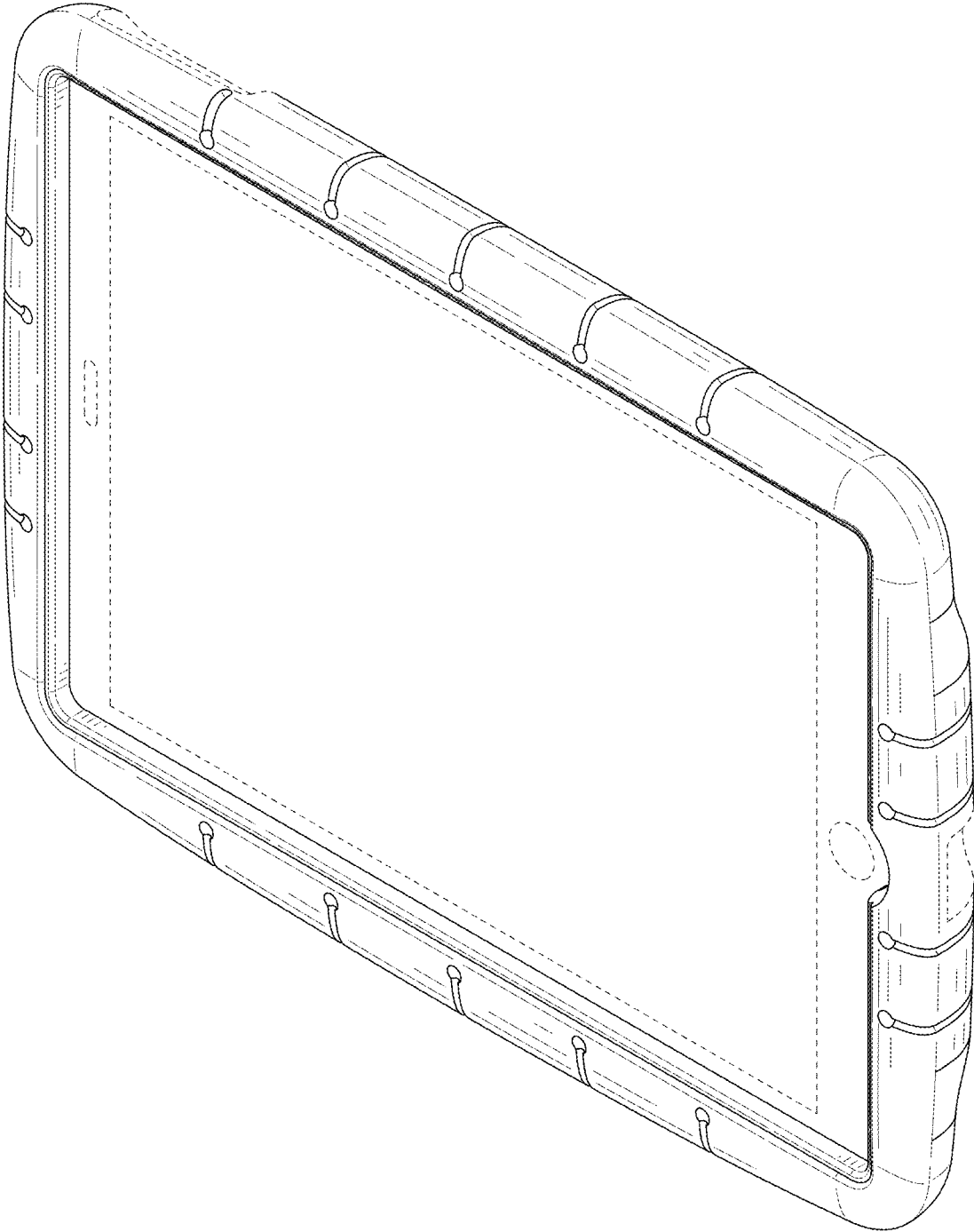


FIG. 11

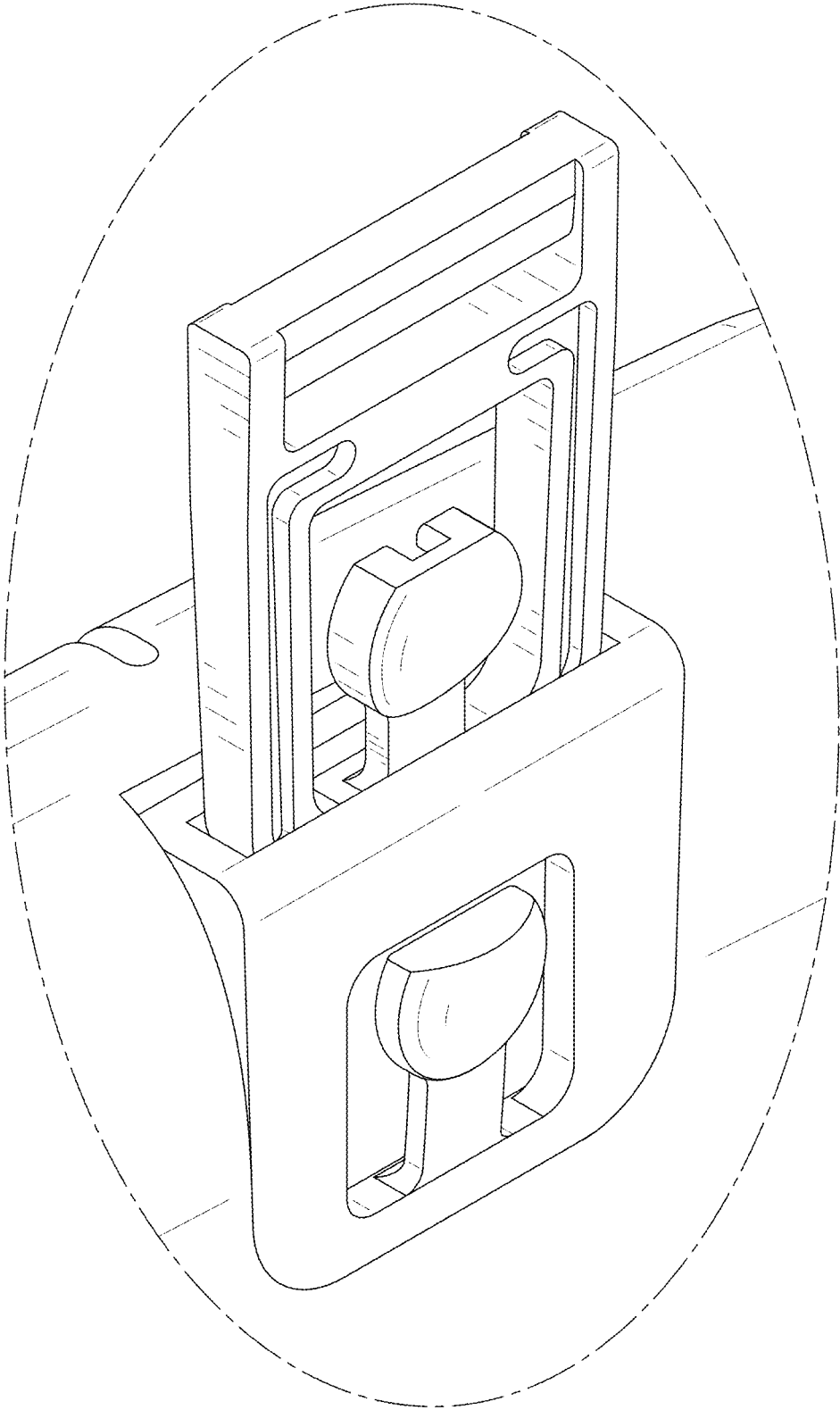


FIG. 12