



US00D910123S

(12) **United States Design Patent**
Li

(10) **Patent No.:** **US D910,123 S**

(45) **Date of Patent:** **** Feb. 9, 2021**

(54) **TREADMILL**
(71) Applicants: **Anhui Huami Information Technology Co., Ltd.**, Anhui (CN); **Zepp, Inc.**, Cupertino, CA (US)

(72) Inventor: **Yuan Li**, Anhui (CN)

(73) Assignees: **Zepp, Inc.**, Cupertino, CA (US); **Anhui Huami Information Technology Co., Ltd.**, Anhui (CN)

(**) Term: **15 Years**

(21) Appl. No.: **29/707,437**

(22) Filed: **Sep. 27, 2019**

(51) **LOC (13) Cl.** **21-02**

(52) **U.S. Cl.**
USPC **D21/669**

(58) **Field of Classification Search**
USPC 482/54, 2, 51, 8, 70, 146; D21/668, 669; 198/439, 456; D30/160; 601/35, 23, 5, 601/34
CPC . A63B 22/02; A63B 22/0023; A63B 22/0235; A63B 2210/50; A63B 22/0285; A63B 22/0242; A63B 2022/025; A63B 2225/30; A63B 2022/0214; A63B 2220/13; A63B 2022/0228; A63B 2210/56; A63B 2024/0093; A63B 2022/0207; A63B 22/0012; A63B 22/0257; A61H 3/008; A61H 1/0262; A61H 2201/164; A01K 15/027

See application file for complete search history.

(56) **References Cited**

U.S. PATENT DOCUMENTS

4,151,988 A * 5/1979 Nabinger A63B 22/02 188/72.9
D280,002 S * 8/1985 Smith D21/669

4,614,336 A * 9/1986 Taitel A63B 21/015 482/54
4,757,987 A * 7/1988 Allemann A63B 22/02 482/54
4,776,582 A * 10/1988 Ramhorst A63B 22/0023 482/54
D303,557 S * 9/1989 Kiiski D21/669
D304,849 S * 11/1989 Watterson D21/669
D306,468 S * 3/1990 Watterson D21/669
D306,891 S * 3/1990 Watterson D21/669

(Continued)

Primary Examiner — Ryan Harvey

(74) *Attorney, Agent, or Firm* — Young Basile Hanlon & MacFarlane, P.C.

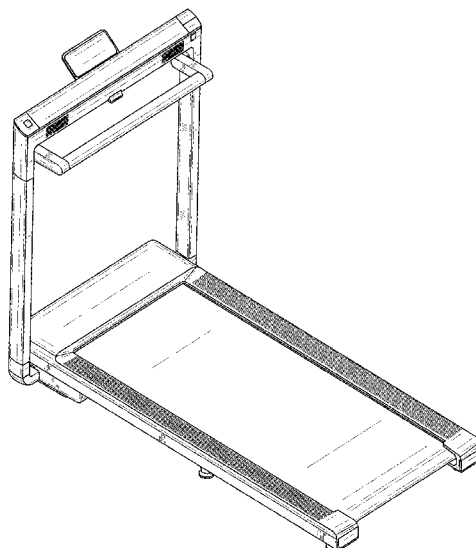
(57) **CLAIM**

The ornamental design for a treadmill, as shown and described.

DESCRIPTION

FIG. 1 is a top, front, and left perspective view of a first embodiment of the treadmill showing our new design. FIG. 2 is a front view of the treadmill of FIG. 1. FIG. 3 is a rear view of the treadmill of FIG. 1. FIG. 4 is a left side view of the treadmill of FIG. 1. FIG. 5 is a right side view of the treadmill of FIG. 1. FIG. 6 is a top view of the treadmill of FIG. 1. FIG. 7 is a bottom view of the treadmill of FIG. 1. FIG. 8 is a top, front, and left perspective view of a second embodiment of the treadmill. FIG. 9 is a front view of the treadmill of FIG. 8. FIG. 10 is a rear view of the treadmill of FIG. 8. FIG. 11 is a left side view of the treadmill of FIG. 8. FIG. 12 is a right side view of the treadmill of FIG. 8. FIG. 13 is a top view of the treadmill of FIG. 8; and, FIG. 14 is a bottom view of the treadmill of FIG. 8. The broken line showing of portions of the treadmill in FIG. 3 depicts environment and forms no part of the claim. The shade lines in the figures show contour, not surface ornamentation and form no part of the claimed design.

1 Claim, 14 Drawing Sheets



(56)

References Cited

U.S. PATENT DOCUMENTS

| | | | | | | | | | |
|-----------|------|---------|---------------------|--------------|--------------|------|---------|------------|--------------|
| 5,018,722 | A * | 5/1991 | Whitmore | A63B 22/02 | D690,782 | S * | 10/2013 | Perkins | D21/669 |
| | | | | 482/54 | D704,778 | S * | 5/2014 | Decommer | D21/669 |
| 5,029,801 | A * | 7/1991 | Dalebout | A63B 22/0023 | D707,763 | S * | 6/2014 | Cutler | D21/669 |
| | | | | 248/649 | 9,138,615 | B2 * | 9/2015 | Olson | A63B 22/0023 |
| D325,951 | S * | 5/1992 | Johnson | D21/669 | D751,156 | S * | 3/2016 | Tasca | D21/669 |
| D344,557 | S * | 2/1994 | Ashby | 482/54 | 9,364,706 | B2 * | 6/2016 | Lo | A63B 22/00 |
| D348,494 | S * | 7/1994 | Ashby | D21/694 | D831,131 | S * | 10/2018 | Zha | D21/669 |
| 5,378,213 | A * | 1/1995 | Quint | A63B 22/02 | D854,101 | S * | 7/2019 | Kruse | D21/669 |
| | | | | 198/849 | D859,543 | S * | 9/2019 | Lisi | D21/669 |
| D355,227 | S * | 2/1995 | Summers | D21/669 | D888,845 | S * | 6/2020 | Luo | D21/669 |
| D369,843 | S * | 5/1996 | Wang | D21/669 | D889,569 | S * | 7/2020 | Luo | D21/669 |
| D374,260 | S * | 10/1996 | Snyderman | D21/669 | 2001/0049323 | A1 * | 12/2001 | Fox | A63B 22/0023 |
| 5,607,375 | A * | 3/1997 | Dalebout | A63B 22/0023 | | | | | 482/54 |
| | | | | 482/51 | 2003/0060331 | A1 * | 3/2003 | Polk, III | A63B 22/0235 |
| 5,643,144 | A * | 7/1997 | Trulaske | A63B 22/02 | | | | | 482/20 |
| | | | | 198/841 | 2004/0132586 | A1 * | 7/2004 | Leighton | A63B 22/0207 |
| 5,711,745 | A * | 1/1998 | Yang | A63B 22/02 | | | | | 482/54 |
| | | | | 482/51 | 2005/0130807 | A1 * | 6/2005 | Cutler | A63B 22/0023 |
| D393,297 | S * | 4/1998 | McBride | D21/669 | | | | | 482/54 |
| 5,746,682 | A * | 5/1998 | Hung | A63B 22/02 | 2006/0122037 | A1 * | 6/2006 | Chou Lin | A63B 22/0235 |
| | | | | 482/51 | | | | | 482/54 |
| 5,816,981 | A * | 10/1998 | Hung | A63B 22/02 | 2006/0122038 | A1 * | 6/2006 | Chou Lin | A63B 22/0235 |
| | | | | 482/54 | | | | | 482/54 |
| 5,904,637 | A * | 5/1999 | Kuo | A63B 22/02 | 2006/0160665 | A1 * | 7/2006 | Tai | A63B 22/0023 |
| | | | | 482/54 | | | | | 482/54 |
| D413,366 | S * | 8/1999 | Husted | D21/668 | 2008/0176719 | A1 * | 7/2008 | To | A63B 22/0235 |
| D414,518 | S * | 9/1999 | Wang | D21/669 | | | | | 482/54 |
| D416,298 | S * | 11/1999 | Onuma | D21/669 | 2009/0005224 | A1 * | 1/2009 | Davis | A63B 22/02 |
| 6,042,514 | A * | 3/2000 | Abelbeck | A63B 22/02 | | | | | 482/54 |
| | | | | 198/439 | 2009/0042698 | A1 * | 2/2009 | Wang | A63B 22/02 |
| D424,137 | S * | 5/2000 | Barker | D21/669 | | | | | 482/54 |
| 6,179,753 | B1 * | 1/2001 | Barker | A63B 22/0235 | 2009/0111666 | A1 * | 4/2009 | Wang | A63B 22/0235 |
| | | | | 482/51 | | | | | 482/54 |
| 6,234,937 | B1 * | 5/2001 | Yu | A63B 22/02 | 2009/0170666 | A1 * | 7/2009 | Chiang | A63B 22/02 |
| | | | | 482/54 | | | | | 482/54 |
| 6,302,826 | B1 * | 10/2001 | Lee | A63B 22/02 | 2011/0021323 | A1 * | 1/2011 | Wu | A63B 22/0235 |
| | | | | 482/51 | | | | | 482/54 |
| 6,390,955 | B1 * | 5/2002 | Wang | A63B 22/02 | 2011/0306472 | A1 * | 12/2011 | Wang | A63B 22/0235 |
| | | | | 482/54 | | | | | 482/54 |
| 6,394,933 | B1 * | 5/2002 | Yu | A63B 22/02 | 2012/0270704 | A1 * | 10/2012 | Wang | A63B 22/0214 |
| | | | | 482/54 | | | | | 482/54 |
| D458,654 | S * | 6/2002 | Kiiski | D21/669 | 2012/0283070 | A1 * | 11/2012 | Lai | A63B 22/02 |
| D464,690 | S * | 10/2002 | San-Ching | D21/669 | | | | | 482/54 |
| D465,250 | S * | 11/2002 | San-Ching | D21/669 | 2013/0184125 | A1 * | 7/2013 | Maguire | A63B 21/225 |
| 6,527,678 | B1 * | 3/2003 | Wang | A63B 22/0235 | | | | | 482/54 |
| | | | | 482/51 | 2013/0231219 | A1 * | 9/2013 | Huang | A63B 22/0023 |
| D484,554 | S * | 12/2003 | Hellman, Jr. | D21/669 | | | | | 482/54 |
| 6,663,540 | B1 * | 12/2003 | Huang | A63B 22/02 | 2014/0066263 | A1 * | 3/2014 | Huang | A63B 24/0087 |
| | | | | 482/54 | | | | | 482/54 |
| 6,685,599 | B2 * | 2/2004 | Wang | A63B 22/02 | 2014/0076206 | A1 * | 3/2014 | McCabe | A47B 57/30 |
| | | | | 482/54 | | | | | 108/5 |
| 6,761,669 | B1 * | 7/2004 | Pan | A63B 22/02 | 2014/0113770 | A1 * | 4/2014 | Yim | A63B 22/0023 |
| | | | | 482/51 | | | | | 482/8 |
| D494,234 | S * | 8/2004 | Sporie | D21/669 | 2014/0121066 | A1 * | 5/2014 | Huang | A63B 22/02 |
| 6,786,853 | B2 * | 9/2004 | Wu | A63B 22/0257 | | | | | 482/54 |
| | | | | 482/54 | 2014/0221167 | A1 * | 8/2014 | Wu | A63B 22/0235 |
| D500,348 | S * | 12/2004 | Parise | D21/669 | | | | | 482/54 |
| 6,860,838 | B2 * | 3/2005 | Fox | A63B 22/0235 | 2014/0274579 | A1 * | 9/2014 | Olson | A63B 22/0023 |
| | | | | 193/35 J | | | | | 482/54 |
| 6,884,201 | B2 * | 4/2005 | Wu | A63B 22/0023 | 2016/0096064 | A1 * | 4/2016 | Gatti | A63B 22/02 |
| | | | | 482/54 | | | | | 482/54 |
| 6,887,185 | B1 * | 5/2005 | Kuo | A63B 22/02 | 2016/0279465 | A1 * | 9/2016 | Chang | A63B 22/02 |
| | | | | 482/54 | | | | | A63B 22/0207 |
| 7,367,926 | B2 * | 5/2008 | Clark | A63B 22/0235 | 2016/0287930 | A1 * | 10/2016 | Moser | A63B 22/0207 |
| | | | | 482/54 | 2016/0346618 | A1 * | 12/2016 | Ashby | G09B 19/0038 |
| D607,067 | S * | 12/2009 | Wu | D21/669 | 2017/0113093 | A1 * | 4/2017 | Bellavista | A63B 22/0023 |
| 7,815,550 | B2 * | 10/2010 | Watterson | A63B 22/02 | 2017/0333747 | A1 * | 11/2017 | Athey | A63B 22/0228 |
| | | | | 482/54 | | | | | A63B 24/0062 |
| 7,828,699 | B2 * | 11/2010 | P'erez De Lazarraga | A63B 22/02 | 2017/0333751 | A1 * | 11/2017 | Seol | A63B 24/0062 |
| | | | | 482/54 | | | | | A63B 22/0207 |
| | | | | 482/54 | 2018/0043207 | A1 * | 2/2018 | Moser | A63B 22/0207 |
| | | | | 482/54 | | | | | A63B 71/0619 |
| | | | | 482/54 | 2018/0126249 | A1 * | 5/2018 | Consiglio | A63B 24/0087 |
| | | | | 482/54 | | | | | A63B 24/0087 |
| | | | | 482/54 | 2018/0140903 | A1 * | 5/2018 | Poure | A63B 24/0087 |
| | | | | 482/54 | | | | | A63B 22/0221 |
| | | | | 482/54 | 2019/0192952 | A1 * | 6/2019 | Powell | A63B 22/0221 |
| | | | | 482/54 | | | | | A63B 22/0235 |
| | | | | 482/54 | 2019/0290956 | A1 * | 9/2019 | Ren | A63B 22/0235 |

* cited by examiner

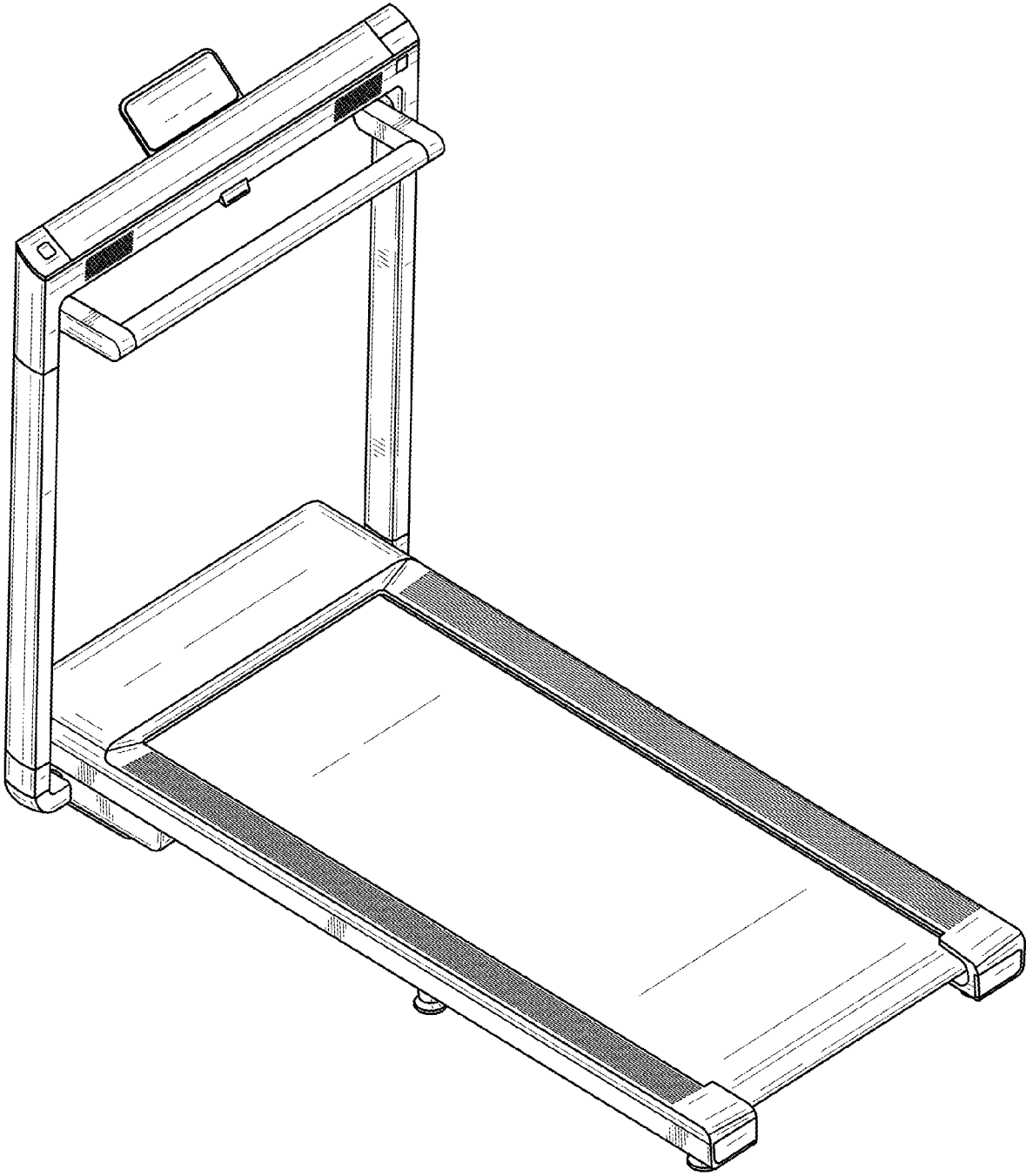


FIG. 1

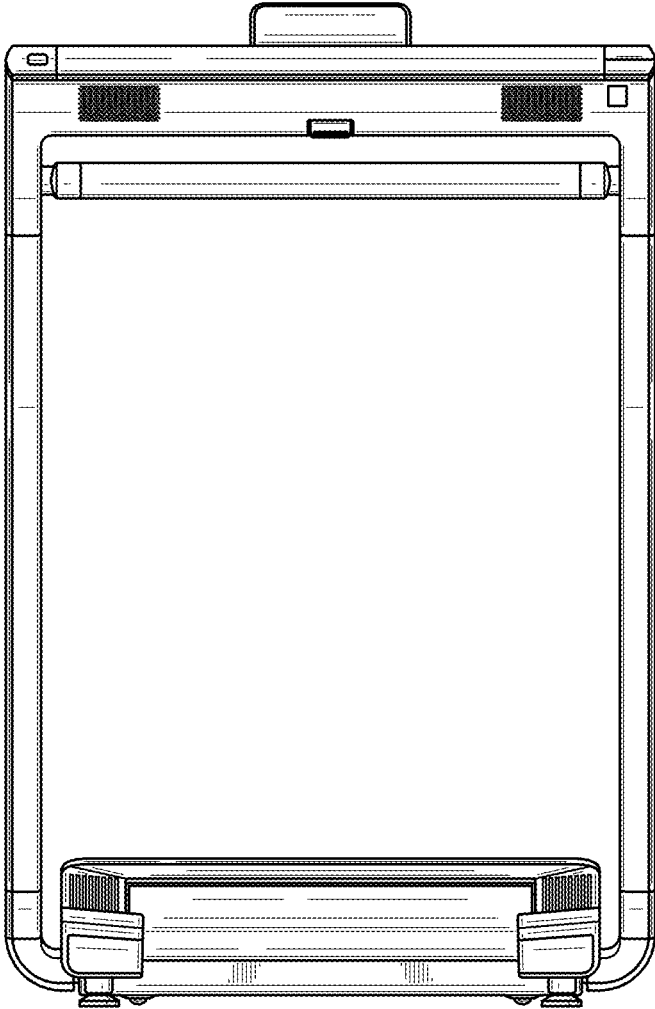


FIG. 2

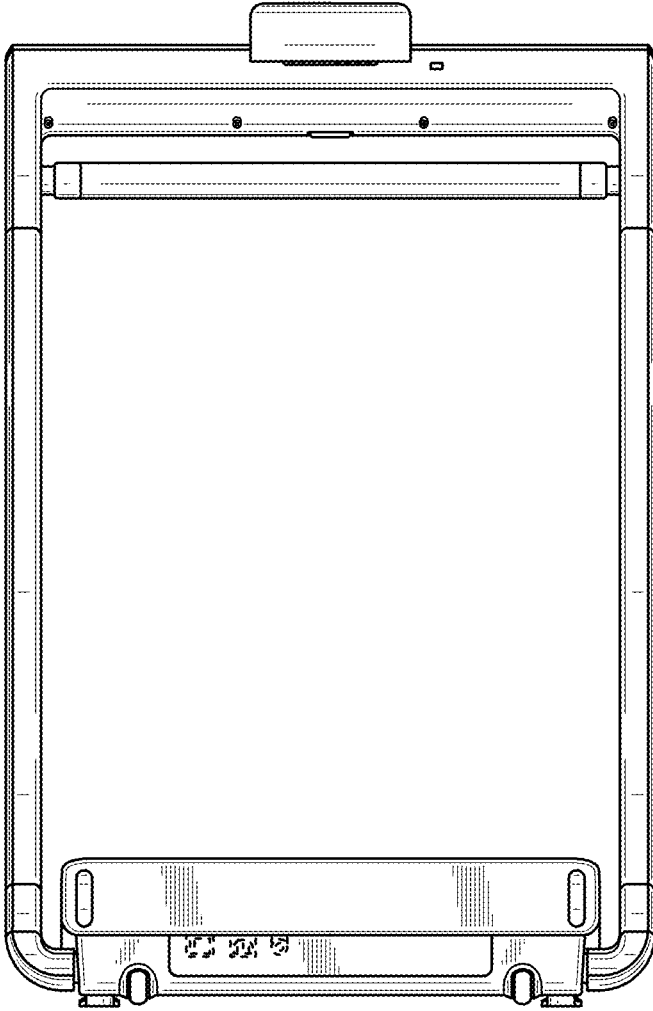


FIG. 3

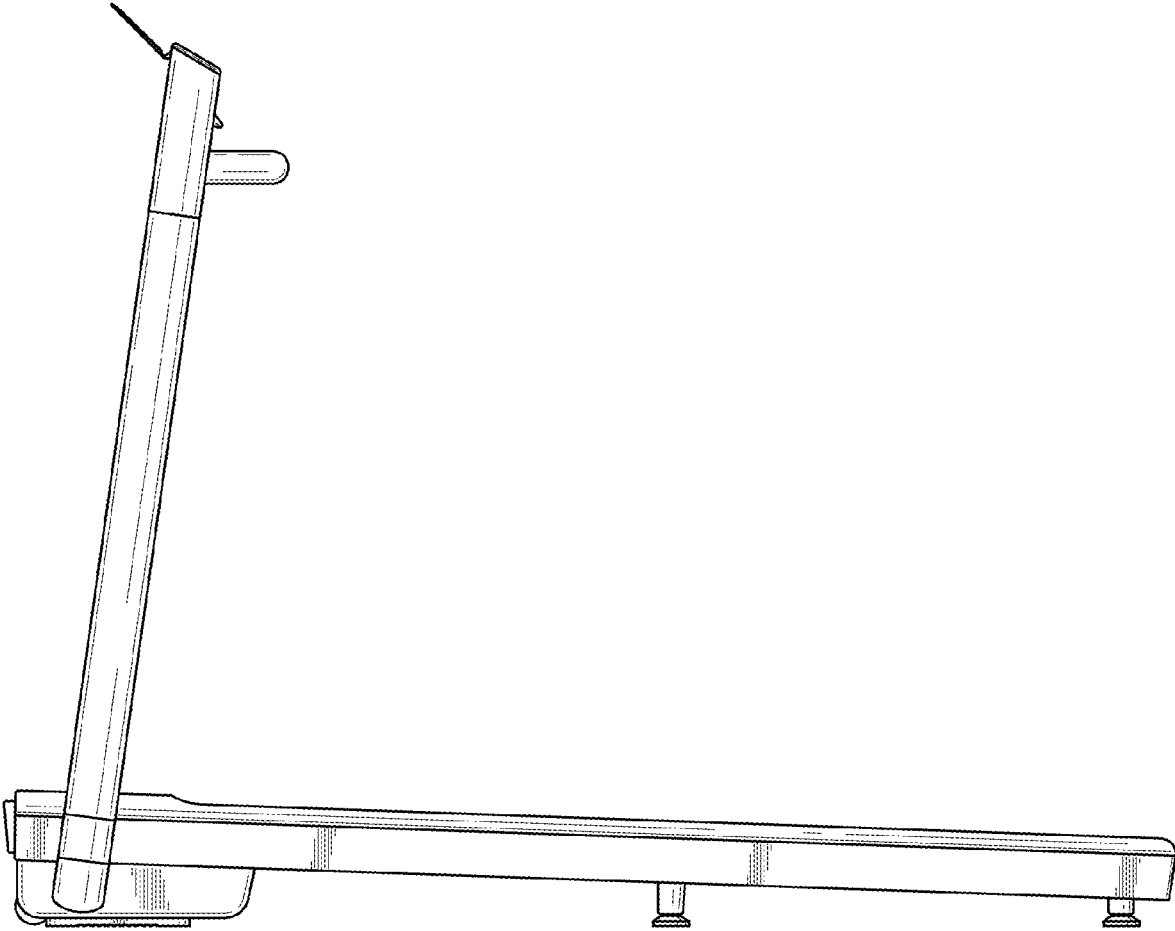


FIG. 4

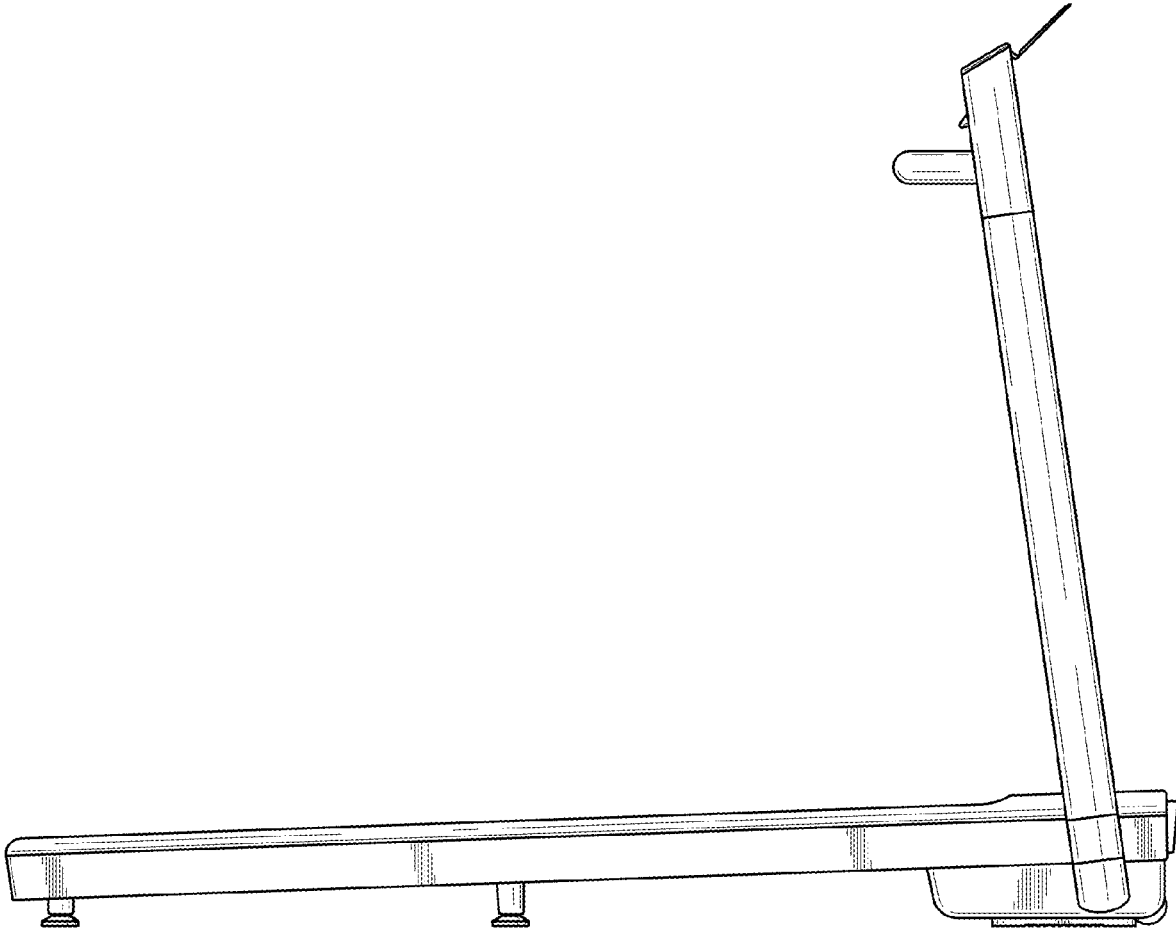


FIG. 5

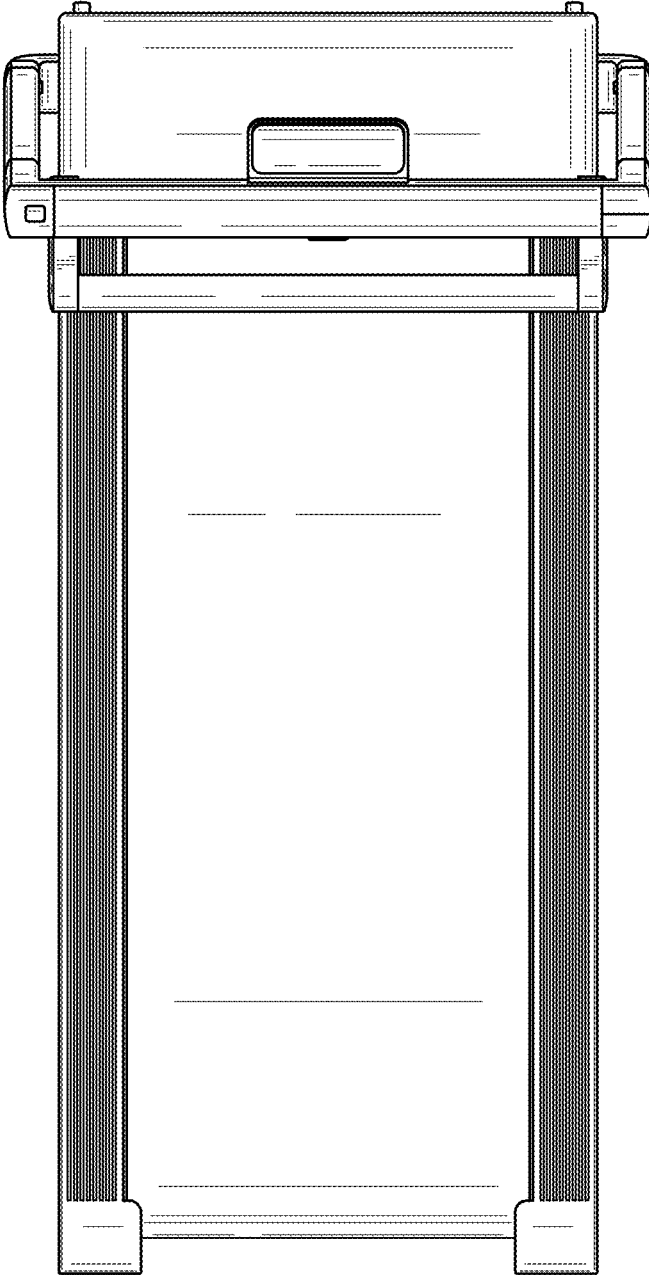


FIG. 6

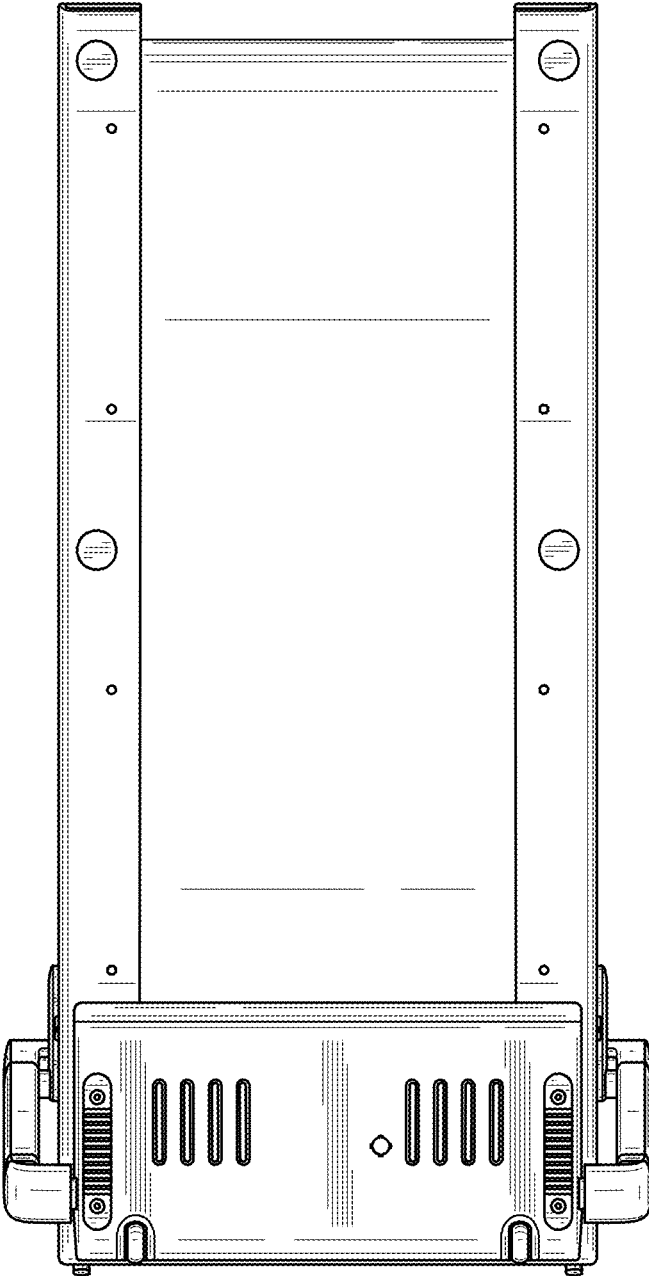


FIG. 7

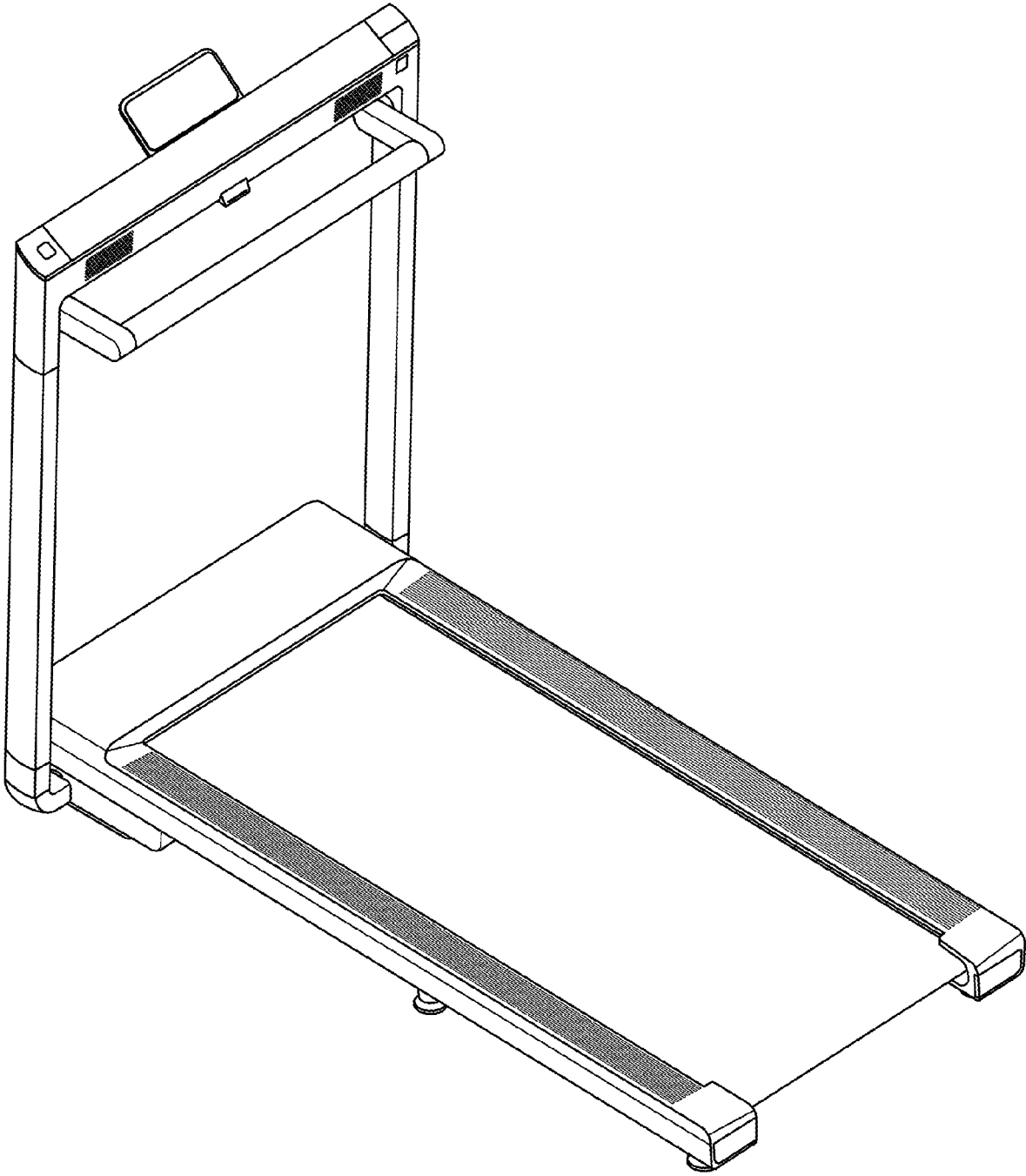


FIG. 8

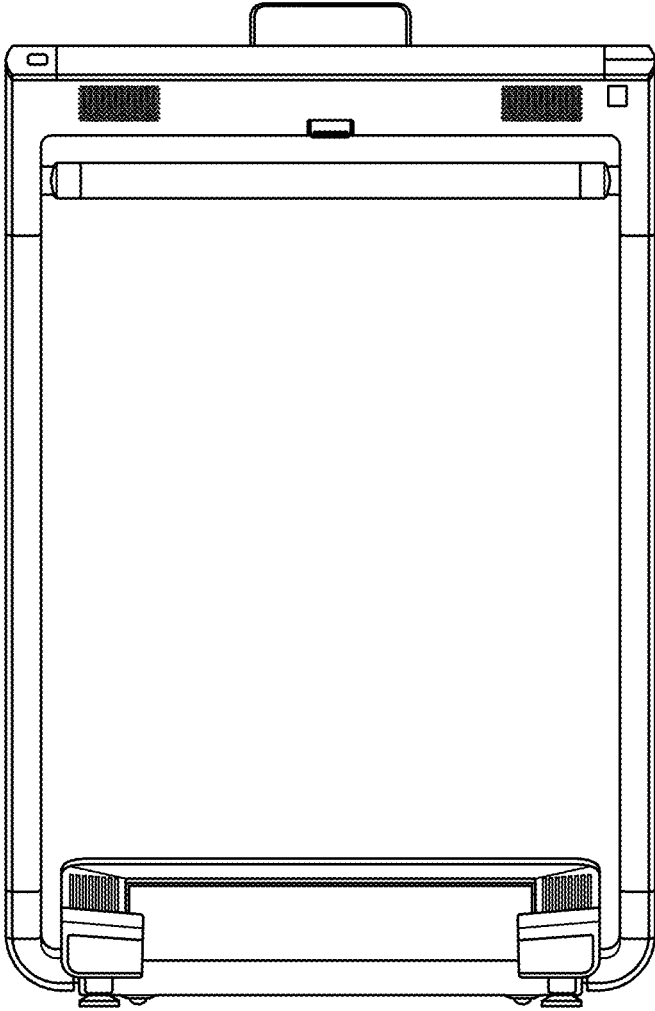


FIG. 9

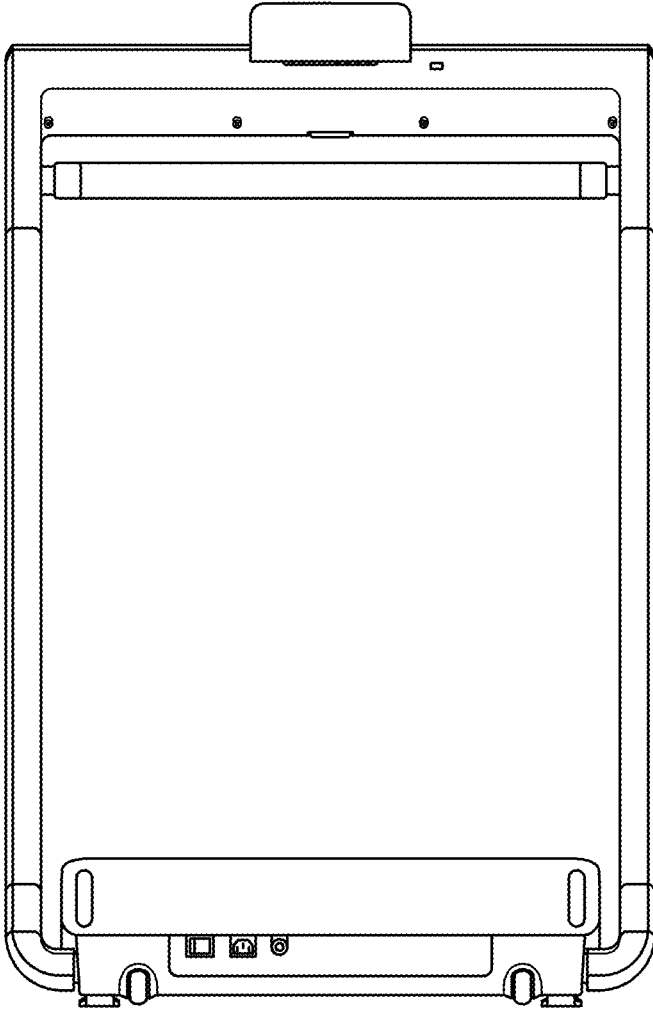


FIG. 10

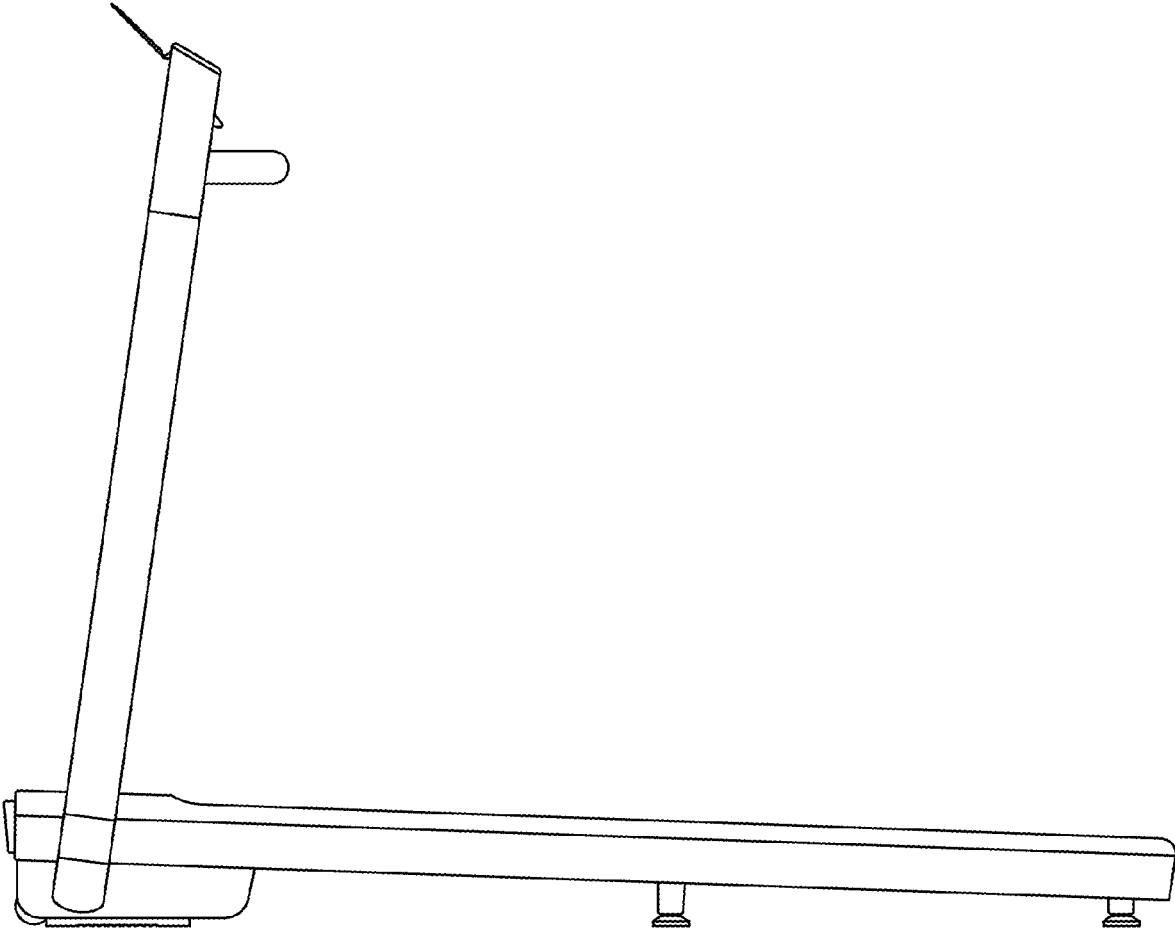


FIG. 11

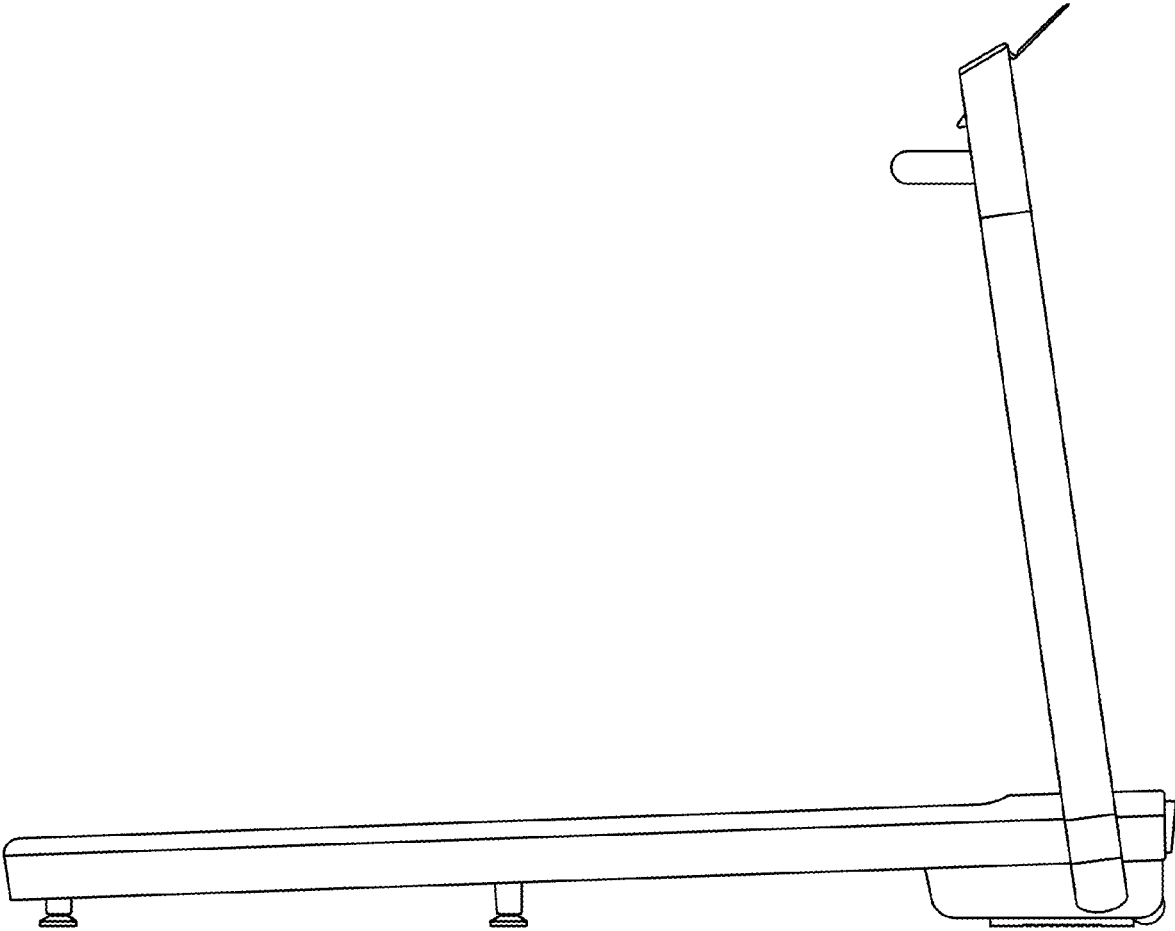


FIG. 12

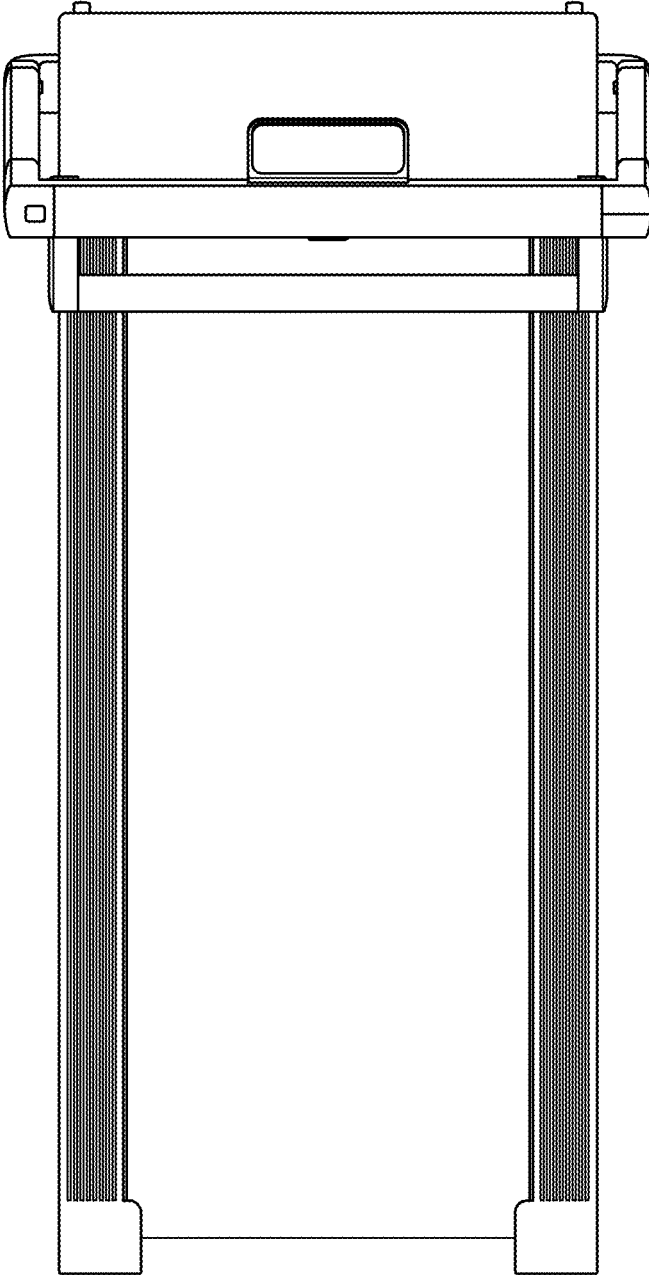


FIG. 13

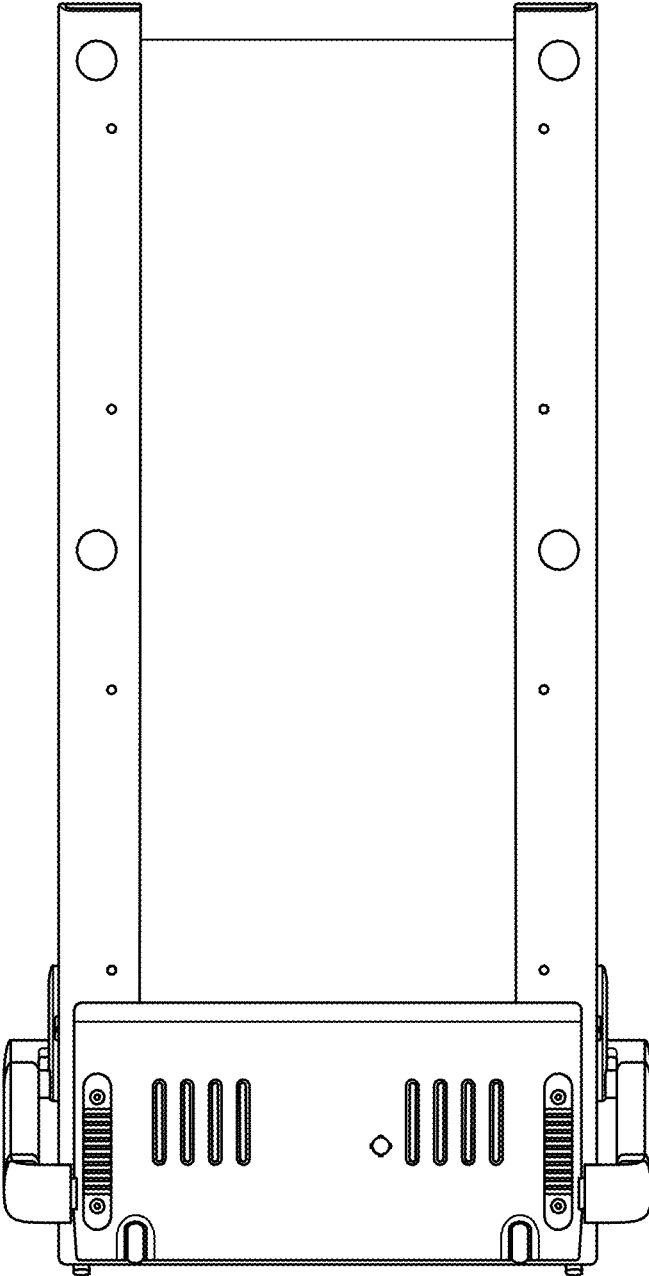


FIG. 14