



US00D411641S

# United States Patent [19]

[11] Patent Number: **Des. 411,641**

Ranieri et al.

[45] Date of Patent: **\*\* Jun. 29, 1999**

- [54] LIGHTING FIXTURE
- [75] Inventors: **David R. Ranieri; Gregory Randal Holder**, both of Conyers, Ga.
- [73] Assignee: **National Service Industries, Inc.**, Atlanta, Ga.
- [\*\*] Term: **14 Years**
- [21] Appl. No.: **29/090,103**
- [22] Filed: **Jun. 30, 1998**

D. 348,746	7/1994	Herst et al.	.....	D26/75 X
2,258,354	10/1941	Doane	.....	D26/74 X
3,560,729	2/1971	Lieberman	.....	362/347 X
5,192,129	3/1993	Figueroa	.....	362/346
5,570,947	11/1996	Felland	.....	362/346 X

*Primary Examiner*—Susan J. Lucas  
*Attorney, Agent, or Firm*—Kenneth E. Darnell

### [57] CLAIM

The ornamental design for the lighting fixture, as shown and described.

### Related U.S. Application Data

- [62] Division of application No. 29/070,945, May 20, 1997, Pat. No. Des. 399,586.
- [51] **LOC (6) Cl.** ..... **26-05**
- [52] **U.S. Cl.** ..... **D26/74; D26/118**
- [58] **Field of Search** ..... D26/74-78; 362/147, 362/148, 217, 222, 223, 224, 364, 365, 346, 347

### DESCRIPTION

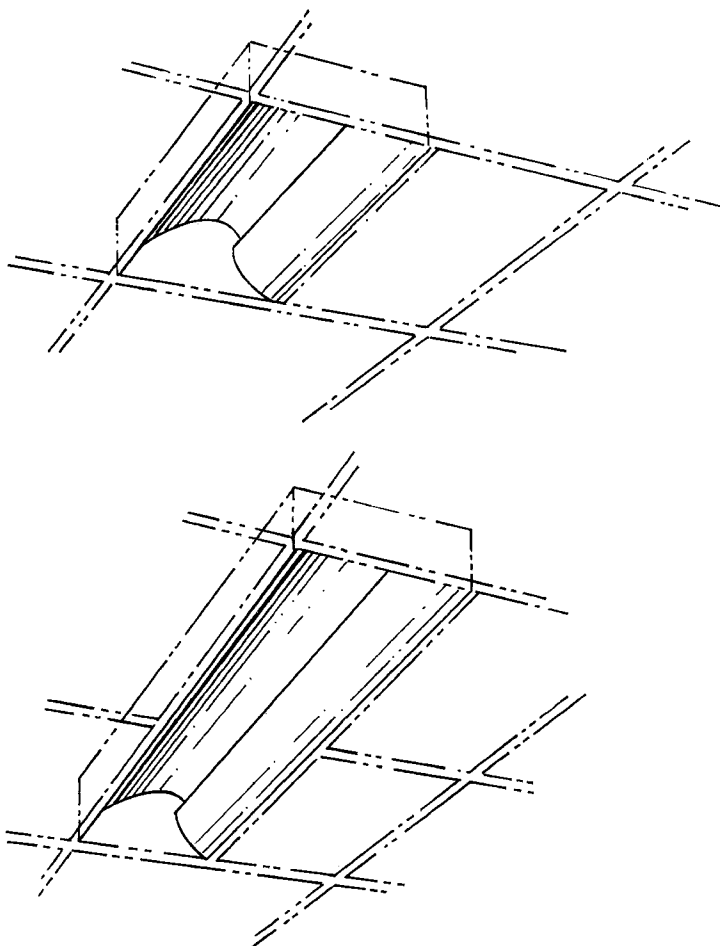
FIG. 1 is a perspective view taken from the front, bottom, and right side of the lighting fixture;  
 FIG. 2 is a perspective view taken from the front, bottom, and right side of a second embodiment of the lighting fixture, which is essentially twice the length of the first embodiment; and,  
 FIG. 3 is a bottom plan view of the second embodiment of the lighting fixture.  
 The broken lines are shown for illustrative purposes only and form no part of the claimed design.

### [56] References Cited

#### U.S. PATENT DOCUMENTS

- D. 195,012 4/1963 Hoyle ..... D26/74 X

**1 Claim, 1 Drawing Sheet**



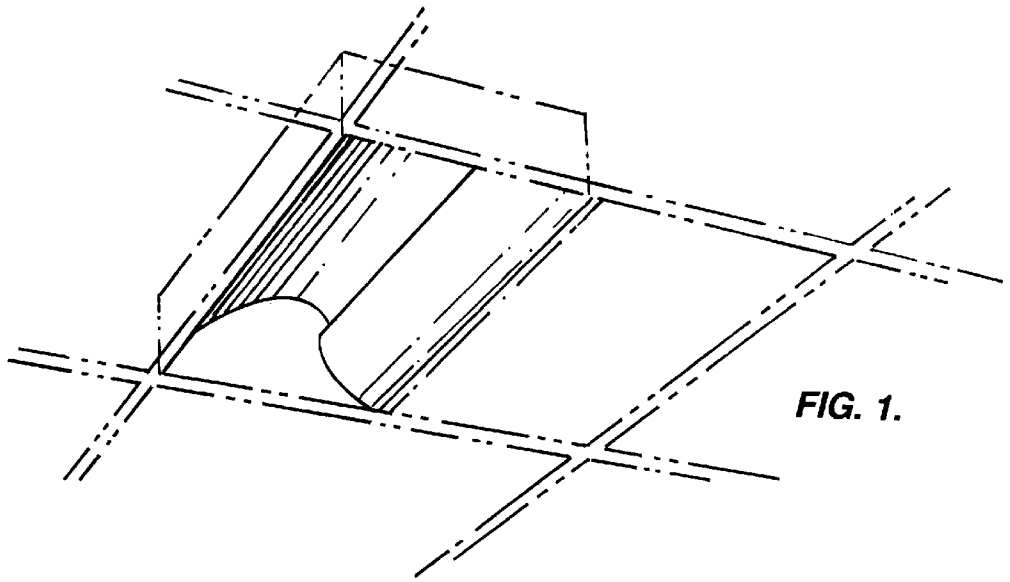


FIG. 1.

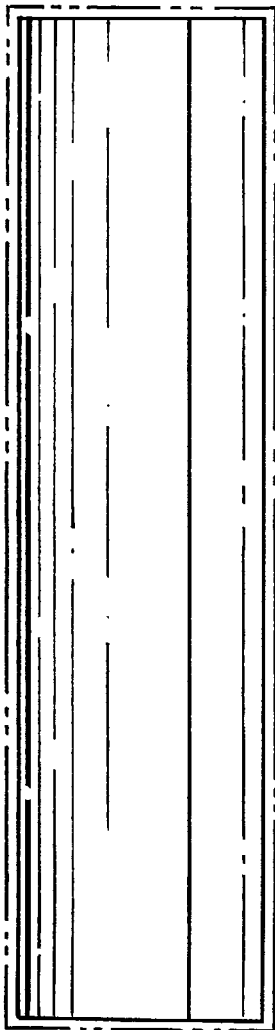


FIG. 3.

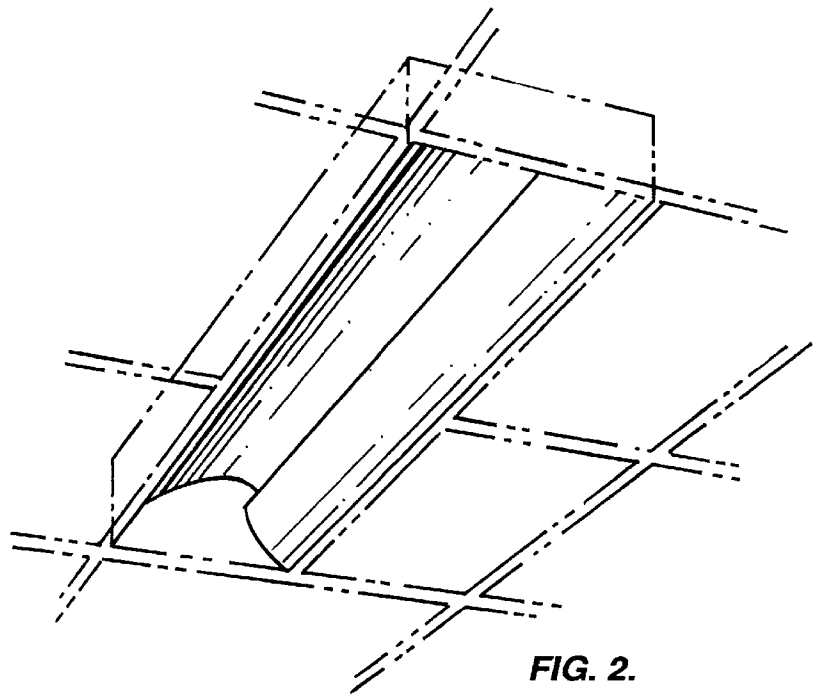


FIG. 2.