



US00D673808S

(12) **United States Design Patent**
Grider et al.

(10) **Patent No.:** **US D673,808 S**

(45) **Date of Patent:** **** Jan. 8, 2013**

(54) **CONTAINER LID**

(75) Inventors: **Steven Grider**, West Dundee, IL (US);
Karl Ludeman, Chicago, IL (US);
Tania Aldous, Chicago, IL (US); **Dan Streng**, Elmwood Park, IL (US)

(73) Assignee: **WKI Holding Company, Inc.**,
Rosemont, IL (US)

(**) Term: **14 Years**

(21) Appl. No.: **29/415,472**

(22) Filed: **Mar. 10, 2012**

(51) **LOC (9) Cl.** **07-02**

(52) **U.S. Cl.** **D7/391**

(58) **Field of Classification Search** D3/302;
D6/515; D7/323, 329-332, 337-339, 346-347,
D7/350.1-350.4, 353-367, 391-395, 396.2,
D7/402-406, 538, 542-543; D9/422, 435,
D9/447-449; 53/412; 99/324-325, 330-332,
99/337-340, 369, 400-418, 422, 425, 444,
99/483; 126/37 R, 41 R, 261, 378.1; 206/15.2,
206/501-505, 507-508; 219/387, 400, 405,
219/429-442, 452.11, 620-624, 725, 730-735;
220/254.9, 270, 315, 573.1-573.5, 785, 912;
426/438, 441

See application file for complete search history.

(56) **References Cited**

U.S. PATENT DOCUMENTS

498,020 A 5/1893 Murray
(Continued)

FOREIGN PATENT DOCUMENTS

EP 0112295 A2 6/1984
(Continued)

Primary Examiner — Ricky Pham

(74) *Attorney, Agent, or Firm* — McDermott Will & Emery LLP

(57) **CLAIM**

We claim the ornamental design for a container lid, as shown and described.

DESCRIPTION

FIG. 1 is a top perspective view of a container lid according to the present invention.

FIG. 2 is a top plan view of the container lid of FIG. 1.

FIG. 3 is a left side elevation view of the container lid of FIG. 1.

FIG. 4 is a right side elevation view of the container lid of FIG. 1.

FIG. 5 is a front end elevation view of the container lid of FIG. 1.

FIG. 6 is a rear end elevation view of the container lid of FIG. 1.

FIG. 7 is a bottom plan view of the container lid of FIG. 1.

FIG. 8 is a bottom perspective view of the container lid of FIG. 1.

FIG. 9 is a top perspective view of another embodiment of the container lid according to the present invention.

FIG. 10 is a top plan view of the container lid of FIG. 9.

FIG. 11 is a left side elevation view of the container lid of FIG. 9.

FIG. 12 is a right side elevation view of the container lid of FIG. 9.

FIG. 13 is a front end elevation view of the container lid of FIG. 9.

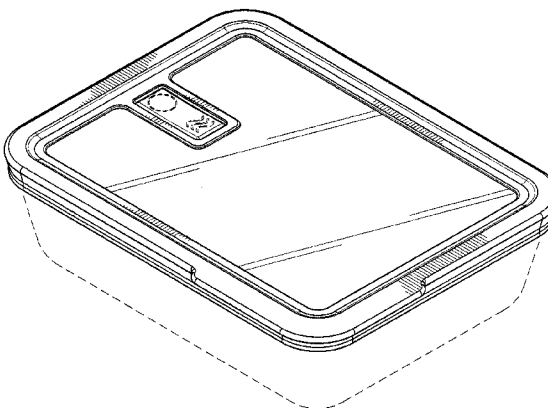
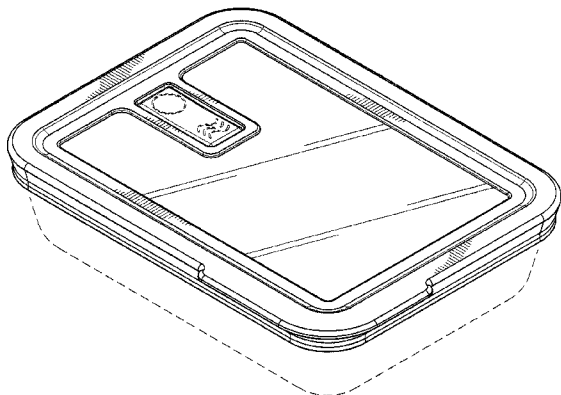
FIG. 14 is a rear end elevation view of the container lid of FIG. 9.

FIG. 15 is a bottom plan view of the container lid of FIG. 9; and,

FIG. 16 is a bottom perspective view of the container lid of FIG. 9.

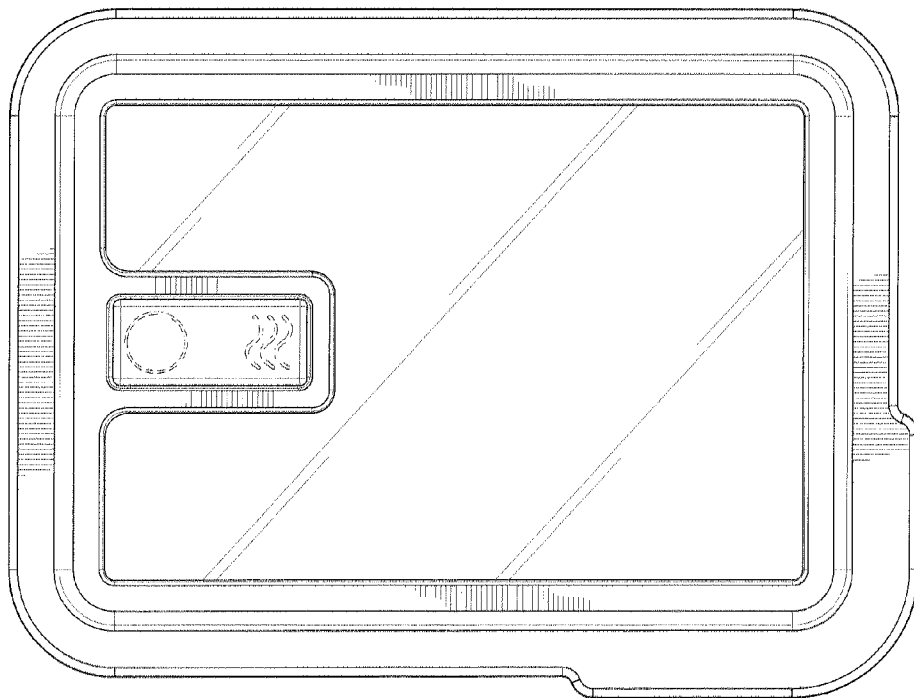
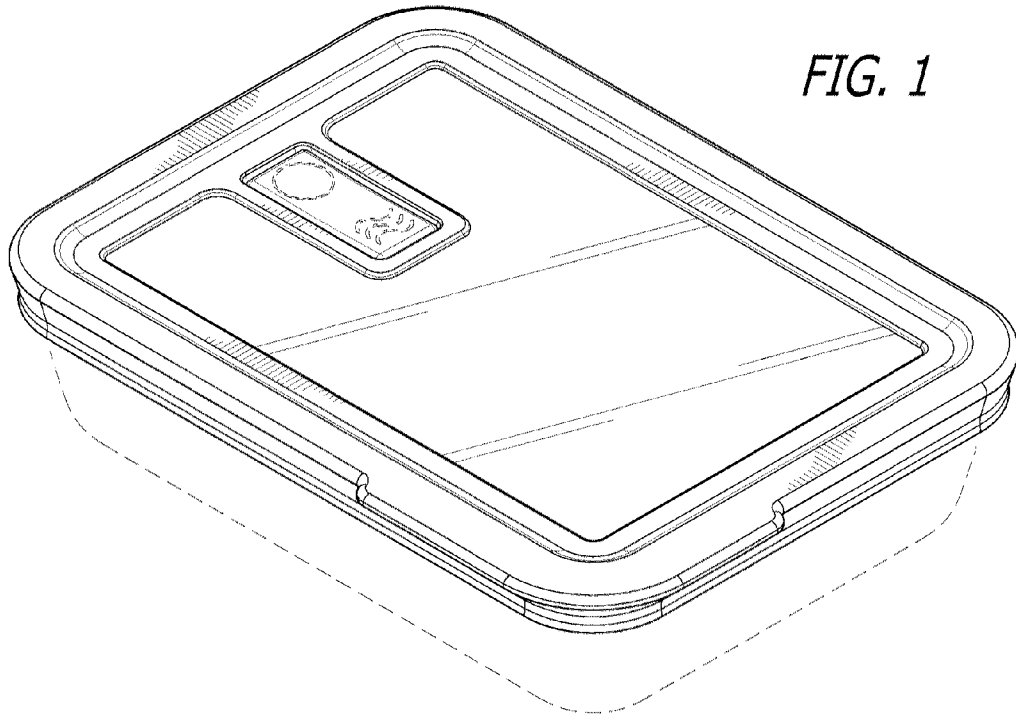
The broken lines form no part of the claimed design.

1 Claim, 6 Drawing Sheets



US D673,808 S

U.S. PATENT DOCUMENTS					
771,960 A	10/1904	Adams	D415,652 S	10/1999	Loew et al.
1,369,969 A	3/1921	Fairbanks et al.	5,974,686 A	11/1999	Nomura et al.
1,622,658 A	3/1927	McBurney	D417,367 S	12/1999	Laib
2,047,720 A	7/1936	Wilhelm	D417,817 S	12/1999	Loew et al.
2,069,125 A	11/1936	Antrim	D418,017 S	12/1999	Henry
2,234,485 A	3/1941	Connor	6,035,769 A	3/2000	Nomura et al.
2,259,770 A	10/1941	Nove	6,053,474 A	4/2000	Stucke, Jr. et al.
2,604,976 A	7/1952	Sarg	D429,961 S	8/2000	Harris
2,626,726 A	1/1953	Burkhardt	6,105,810 A	8/2000	Daenen et al.
2,705,657 A	4/1955	DiGiorgio	6,116,151 A	9/2000	Fickert et al.
2,808,175 A	10/1957	Aiken	D431,419 S	10/2000	Greene
2,898,003 A	8/1959	Wilson et al.	D435,447 S	12/2000	Lee
D192,257 S	2/1962	Ebstein	D440,470 S	4/2001	Tucker et al.
3,081,394 A	3/1963	Arel et al.	D441,598 S	5/2001	Wyche
3,185,371 A	5/1965	Reifers	D442,425 S	5/2001	Wyche
3,273,743 A	9/1966	McCull	6,234,067 B1	5/2001	Schmidt
3,391,847 A	7/1968	Christine et al.	D443,184 S	6/2001	Maxwell et al.
3,391,852 A	7/1968	Waldrop	D443,798 S	6/2001	Tucker et al.
D218,347 S	8/1970	Aubecq	D445,631 S	7/2001	Elorza
3,632,014 A	1/1972	Basile	D445,633 S	7/2001	Bradley
3,688,942 A	9/1972	Mitchell et al.	D445,641 S	7/2001	Conti
3,850,331 A	11/1974	Oxel	D445,649 S	7/2001	Maxwell et al.
D234,026 S	12/1974	Winter	D445,673 S	7/2001	Richardson
3,964,670 A	6/1976	Amneus	D445,674 S	7/2001	Pritchett
4,005,798 A	2/1977	Minsky	D445,687 S	7/2001	Gilbertson
4,020,969 A	5/1977	Ando	6,261,616 B1	7/2001	Simpson et al.
4,078,696 A	3/1978	Crisci	D446,085 S	8/2001	Dretzka
4,185,752 A	1/1980	Basile	D446,117 S	8/2001	Conti
4,209,126 A	6/1980	Elias	D448,606 S	10/2001	Conti
D256,759 S	9/1980	Johnson	D448,965 S	10/2001	Jang-Won
D258,038 S	1/1981	Johnson	D448,969 S	10/2001	Conti
D258,350 S	2/1981	Scott et al.	D450,537 S	11/2001	Hayes
D259,103 S	5/1981	Scott et al.	D452,374 S	12/2001	Kim
D261,620 S	11/1981	Scott et al.	D455,321 S	4/2002	Jung et al.
4,329,919 A	5/1982	Andersen	6,364,152 B1	4/2002	Poslinski et al.
D265,798 S	8/1982	Ossola	6,415,945 B1	7/2002	Zank et al.
4,466,552 A	8/1984	Butterworth et al.	6,415,947 B1	7/2002	Kim
D276,218 S	11/1984	Baldwin et al.	D461,678 S	8/2002	Hayes
D280,969 S	10/1985	Schrage	6,460,720 B1	10/2002	Massey et al.
D282,616 S	2/1986	Gallagher et al.	D465,969 S	11/2002	Morin
4,607,768 A	8/1986	Taber et al.	6,474,490 B1	11/2002	Seibel et al.
D287,559 S	1/1987	Daenen et al.	6,494,338 B1	12/2002	Schultz
D289,844 S	5/1987	Daenen et al.	D468,154 S *	1/2003	Klock et al. D7/392.1
D290,346 S	6/1987	Siegel	D469,011 S *	1/2003	Miller D3/302
D296,525 S	7/1988	Siegel	D470,005 S	2/2003	Cooper et al.
4,863,036 A	9/1989	Heijenga	6,557,720 B2	5/2003	Tosdale et al.
4,976,370 A	12/1990	Cassel	6,568,534 B2	5/2003	Zank
4,981,229 A	1/1991	Lanham	D475,246 S	6/2003	Jørgensen
5,002,189 A	3/1991	Sahi	D475,573 S	6/2003	Jalet et al.
5,007,231 A *	4/1991	Ingemann 53/412	6,581,795 B1	6/2003	Schulein et al.
5,065,885 A	11/1991	Scaroni	6,581,939 B1	6/2003	Theros et al.
D327,201 S	6/1992	Gecchelin	D477,187 S	7/2003	McCallister et al.
D334,499 S *	4/1993	Meisner et al. D6/515	D478,469 S	8/2003	Roth et al.
5,337,913 A	8/1994	Fukuda	D479,673 S	9/2003	Kim
5,363,978 A	11/1994	Molo	D479,954 S	9/2003	Kim
5,405,038 A	4/1995	Chuang	D480,277 S	10/2003	Claypool
5,423,451 A	6/1995	Snyder	D481,910 S	11/2003	Kim
5,427,266 A	6/1995	Yun	D483,618 S	12/2003	Watson
D361,470 S	8/1995	Arbunies	D483,622 S	12/2003	Kim
D365,251 S	12/1995	Lo	D484,367 S	12/2003	Kim
5,553,701 A *	9/1996	Jarecki et al. 206/15.2	D484,745 S	1/2004	Watson
5,579,961 A	12/1996	Zimmerman	6,685,046 B2	2/2004	Ogino
5,641,065 A	6/1997	Owens et al.	6,698,336 B1	3/2004	Siegel et al.
D381,553 S	7/1997	Candianides	D488,031 S	4/2004	Kim
D386,685 S	11/1997	Miller	D490,277 S	5/2004	Kim
5,688,544 A	11/1997	Bolton et al.	D490,643 S	6/2004	Groll
D389,012 S	1/1998	Miller	D493,073 S	7/2004	Kim
5,704,485 A	1/1998	Cautereels et al.	D496,560 S	9/2004	Lerner
5,709,318 A	1/1998	Oder	6,793,096 B1	9/2004	Seok
5,762,228 A	6/1998	Morgan et al.	D498,389 S	11/2004	Tollman
5,785,201 A	7/1998	Bordner et al.	6,824,004 B1	11/2004	Wooderson
5,806,703 A	9/1998	Grandi	D499,931 S	12/2004	Kim
D401,468 S	11/1998	Knoll et al.	D500,227 S	12/2004	Seok
D407,640 S	4/1999	Nelson et al.	D501,764 S	2/2005	Lerner
5,893,477 A	4/1999	Kaneko et al.	6,877,633 B2	4/2005	Niese
5,921,432 A	7/1999	Van Berne et al.	D504,815 S	5/2005	Carlson
5,944,211 A	8/1999	Woodnorth et al.	D505,840 S	6/2005	Schultz et al.
D415,386 S	10/1999	Stucke, Jr. et al.	D507,155 S	7/2005	Gosen et al.
			D507,968 S *	8/2005	Dixon et al. D9/422



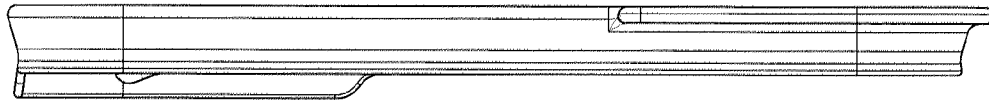


FIG. 3

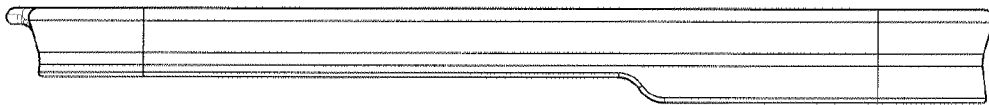


FIG. 4



FIG. 5

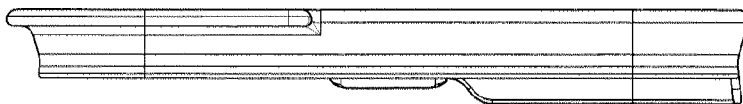


FIG. 6

FIG. 7

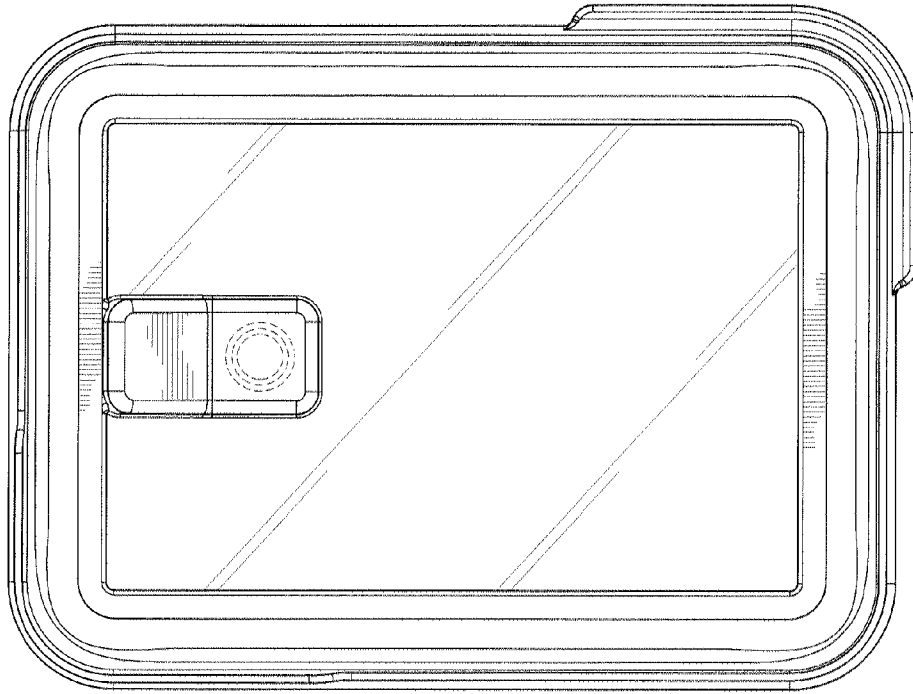
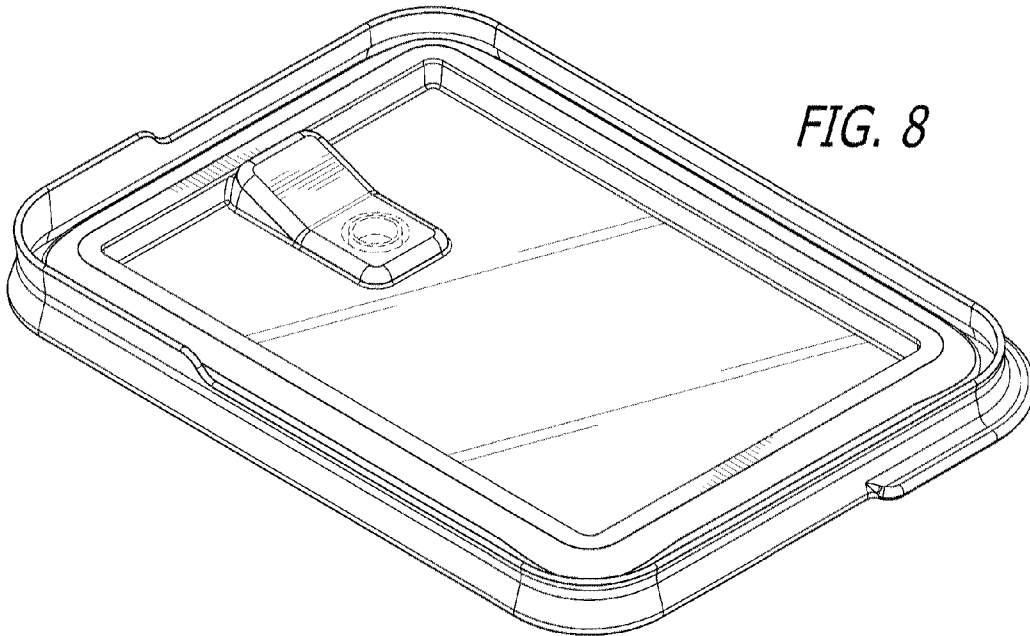


FIG. 8



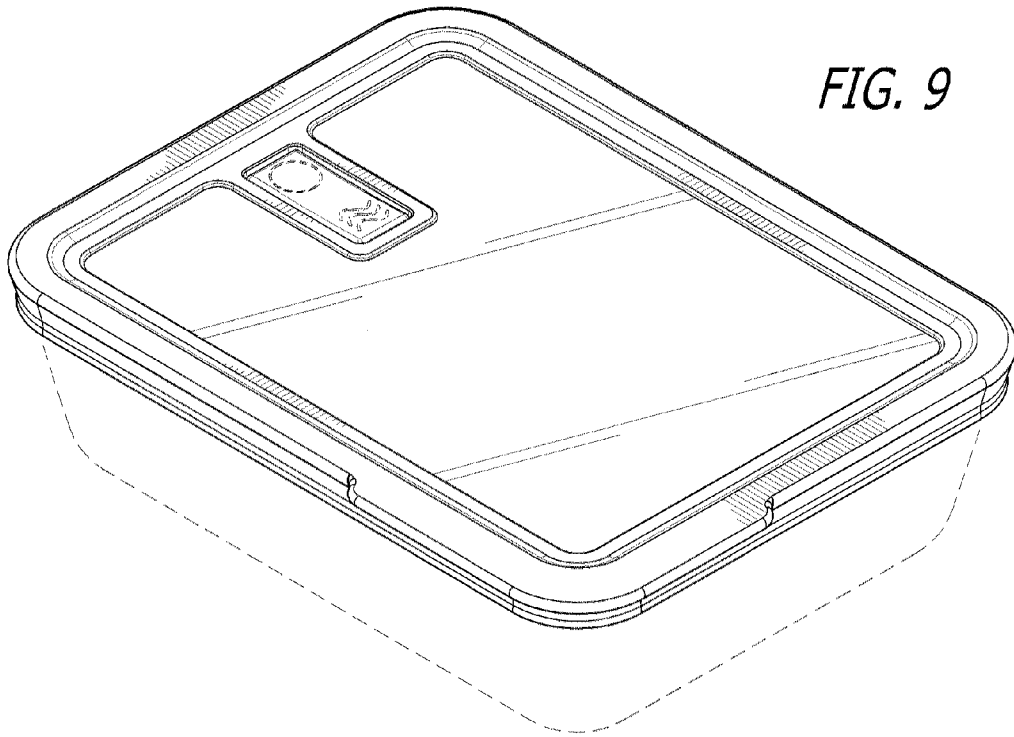


FIG. 9

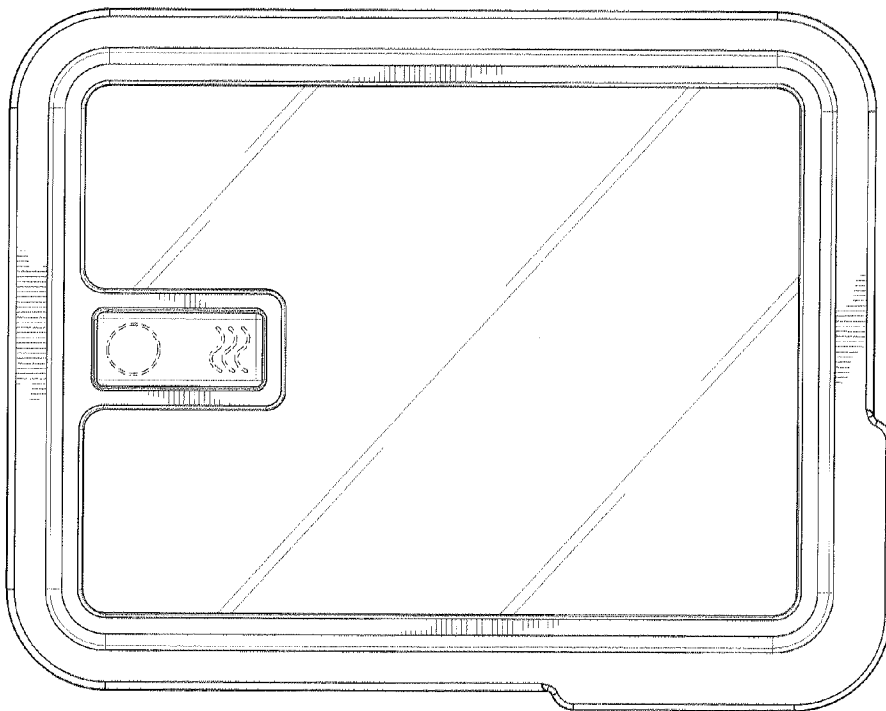


FIG. 10



FIG. 11

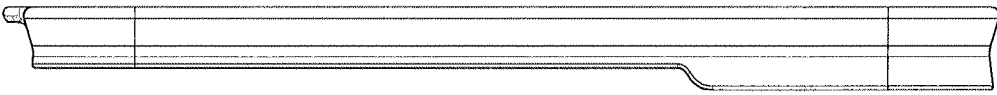


FIG. 12

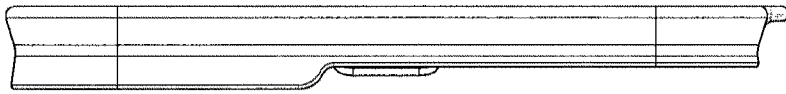


FIG. 13

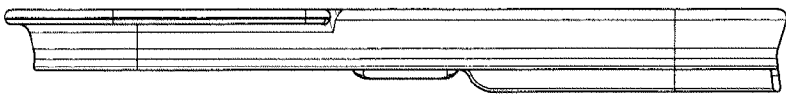


FIG. 14

FIG. 15

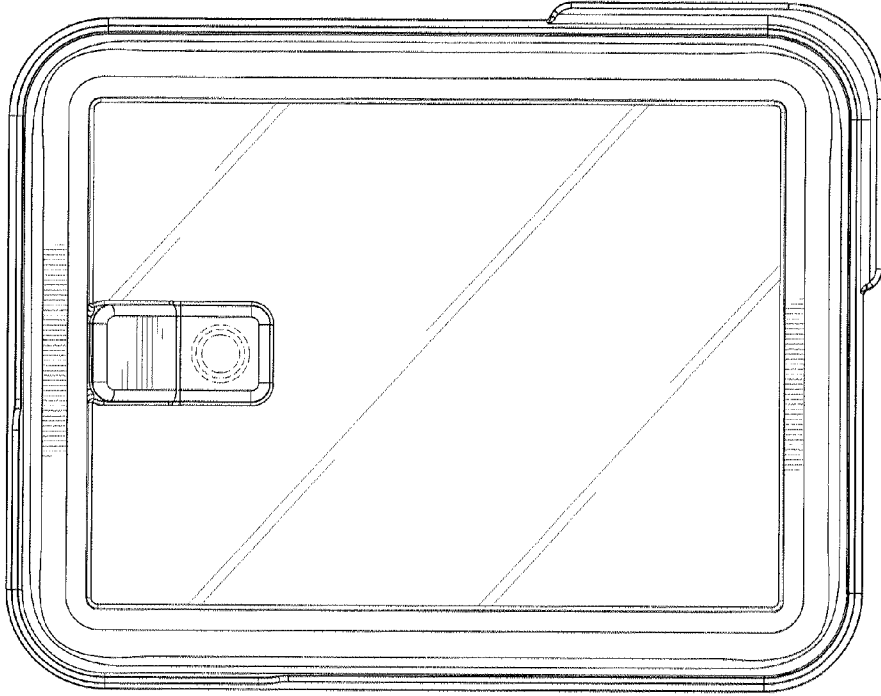


FIG. 16

