



US00D926929S

(12) **United States Design Patent**
Shen

(10) **Patent No.:** **US D926,929 S**

(45) **Date of Patent:** **** Aug. 3, 2021**

(54) **CORDLESS ELECTRIC POWER GARDEN SPRAYER**

(71) Applicant: **Wenbo Shen**, City of Industry, CA (US)

(72) Inventor: **Wenbo Shen**, City of Industry, CA (US)

(**) Term: **15 Years**

(21) Appl. No.: **29/687,015**

(22) Filed: **Apr. 10, 2019**

(51) **LOC (13) Cl.** **23-01**

(52) **U.S. Cl.**
USPC **D23/225**

(58) **Field of Classification Search**
USPC D23/213, 214, 215, 223, 224, 226, 229, D23/230; D9/522, 556, 566, 601, 602, D9/685

CPC A61H 9/0021; A61H 33/00; B05B 1/00; B05B 1/14; B05B 1/185; B05B 1/08; B05B 1/02; B05B 1/26; B05B 12/002; B05B 1/18; B05B 9/01

See application file for complete search history.

(56) **References Cited**

U.S. PATENT DOCUMENTS

D270,367	S	*	8/1983	Grime	D23/225
D297,350	S	*	8/1988	Kille	D23/225
D304,068	S	*	10/1989	Herbst	D23/226
5,050,804	A	*	9/1991	Svensden	B05B 7/1209
						239/296
D320,430	S	*	10/1991	Renfrew	D23/212
D341,186	S	*	11/1993	Albers	D23/225
D353,321	S	*	12/1994	Steijns	D9/685
D365,515	S	*	12/1995	Boykin	D9/685
6,010,082	A	*	1/2000	Peterson	B01D 46/0012
						239/346
D444,700	S	*	7/2001	Ebert	D9/556
D447,791	S	*	9/2001	Robidoux	D23/225

D477,779	S	*	7/2003	Wehrauch	D9/601
D563,505	S	*	3/2008	Schmon	D23/226
D570,448	S	*	6/2008	Wang	D23/226
D607,972	S	*	1/2010	Wang	D23/226
D630,708	S	*	1/2011	Blenkush	D23/225
D632,586	S	*	2/2011	Bowers	D9/685
D633,176	S	*	2/2011	Blenkush	D23/225
D635,034	S	*	3/2011	Burgeson	D9/566
D636,272	S	*	4/2011	Pearson	D9/685

(Continued)

OTHER PUBLICATIONS

<https://ukoke.com/products/ukoke-cordless-electric-power-garden-sprayer-with-20v-2a-batter-charger-included> (Year: 2019).*

Primary Examiner — Jack Reickel

Assistant Examiner — Keith J Wilson

(74) *Attorney, Agent, or Firm* — W&K IP

(57) **CLAIM**

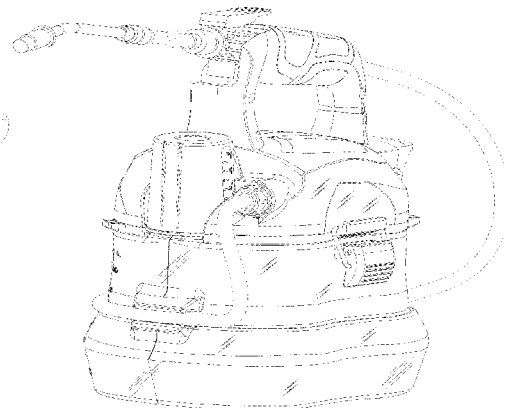
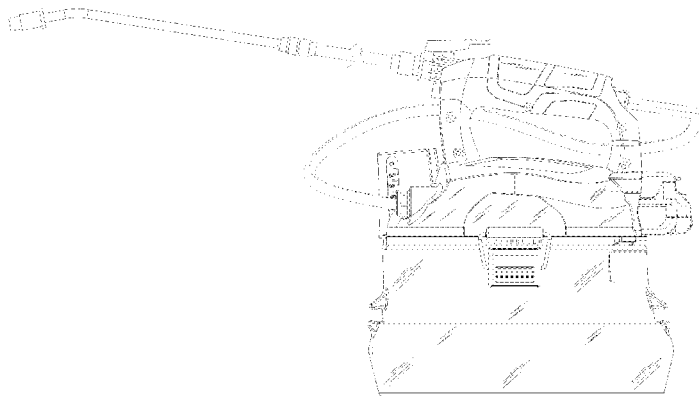
The ornamental design for a cordless electric power garden sprayer, as shown and described.

DESCRIPTION

FIG. 1 is a front view of a cordless electric power garden sprayer showing my new design; FIG. 2 is a rear elevational view thereof; FIG. 3 is a right plan view thereof; FIG. 4 is a left side elevational view thereof; FIG. 5 is a bottom elevational view thereof; FIG. 6 is a top side view; and, FIG. 7 is a perspective view thereof.

The broken lines in the drawings depict portions of the cordless electric power garden sprayer that form no part of the claimed design. The cordless electric power garden sprayer shown with a symbolic break in its length and the appearance of any portion of the cordless electric power garden sprayer between the break lines form no part of the claimed design.

1 Claim, 7 Drawing Sheets



(56)

References Cited

U.S. PATENT DOCUMENTS

7,971,806 B2 * 7/2011 Johnson F16K 15/026
 239/296
 D649,221 S * 11/2011 Sindors D23/226
 D651,691 S * 1/2012 Muetzel D23/225
 D664,628 S * 7/2012 Zhou D23/225
 D692,095 S * 10/2013 Hines D23/225
 D692,531 S * 10/2013 Li D23/225
 D693,428 S * 11/2013 Tullney D23/225
 D704,300 S * 5/2014 Li D23/225
 D713,500 S * 9/2014 Muhl D23/225
 D715,153 S * 10/2014 Hansen D9/685
 D720,040 S * 12/2014 Robinson D23/226
 D720,041 S * 12/2014 Robinson D23/226
 D727,466 S * 4/2015 Richter D23/226
 D734,429 S * 7/2015 Wang D23/226
 D735,051 S * 7/2015 Conway D9/522
 D738,462 S * 9/2015 Wang D23/226
 D740,393 S * 10/2015 Gehrung D23/226
 D742,998 S * 11/2015 Gooden B05B 7/2443
 D23/225
 D744,351 S * 12/2015 Hansen D9/685

D758,536 S * 6/2016 Olson D23/225
 D759,199 S * 6/2016 Wrobel D23/225
 D772,380 S * 11/2016 Fontaine D23/225
 D794,755 S * 8/2017 Wang D23/226
 D794,756 S * 8/2017 Wang D23/226
 D796,004 S * 8/2017 Yang D23/225
 D798,419 S * 9/2017 Gehrung D23/226
 D812,719 S * 3/2018 Kosaka D23/226
 D814,610 S * 4/2018 Dawson D23/225
 D816,801 S * 5/2018 Ghorbani D23/226
 D820,389 S * 6/2018 Gehrung D23/226
 D821,545 S * 6/2018 Gehrung D23/226
 D834,144 S * 11/2018 Mangold D23/226
 D834,944 S * 12/2018 Holbrook D9/685
 D835,235 S * 12/2018 Gehrung D23/226
 D839,386 S * 1/2019 Ghorbani D23/226
 D844,106 S * 3/2019 Dawson D23/225
 D846,401 S * 4/2019 Turner D9/602
 D848,849 S * 5/2019 Sim D9/522
 D854,123 S * 7/2019 Becker D23/226
 D857,162 S * 8/2019 Dawson D23/225
 D858,698 S * 9/2019 Arino D23/213
 D861,130 S * 9/2019 Carls D23/226

* cited by examiner

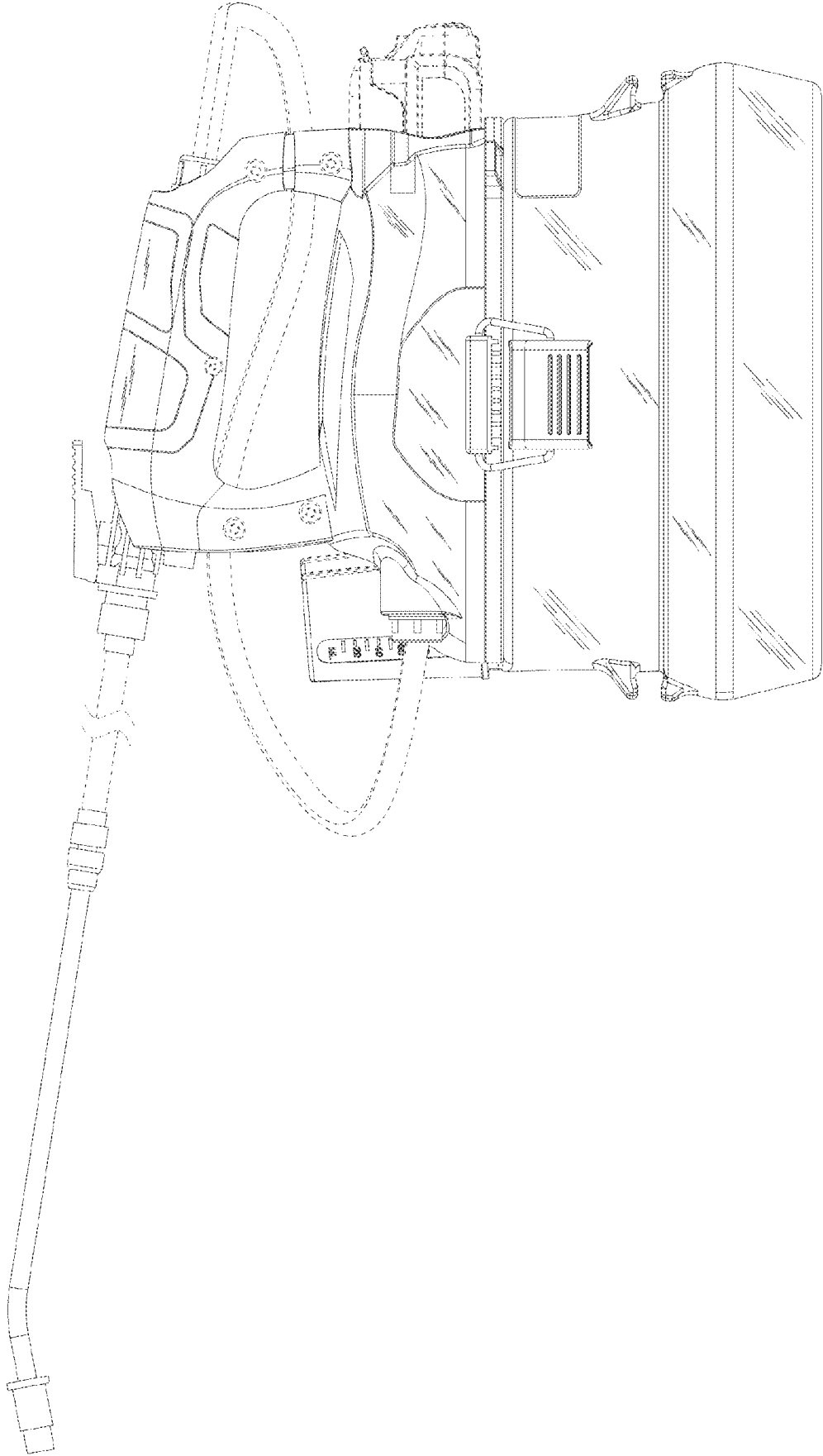


FIG. 1

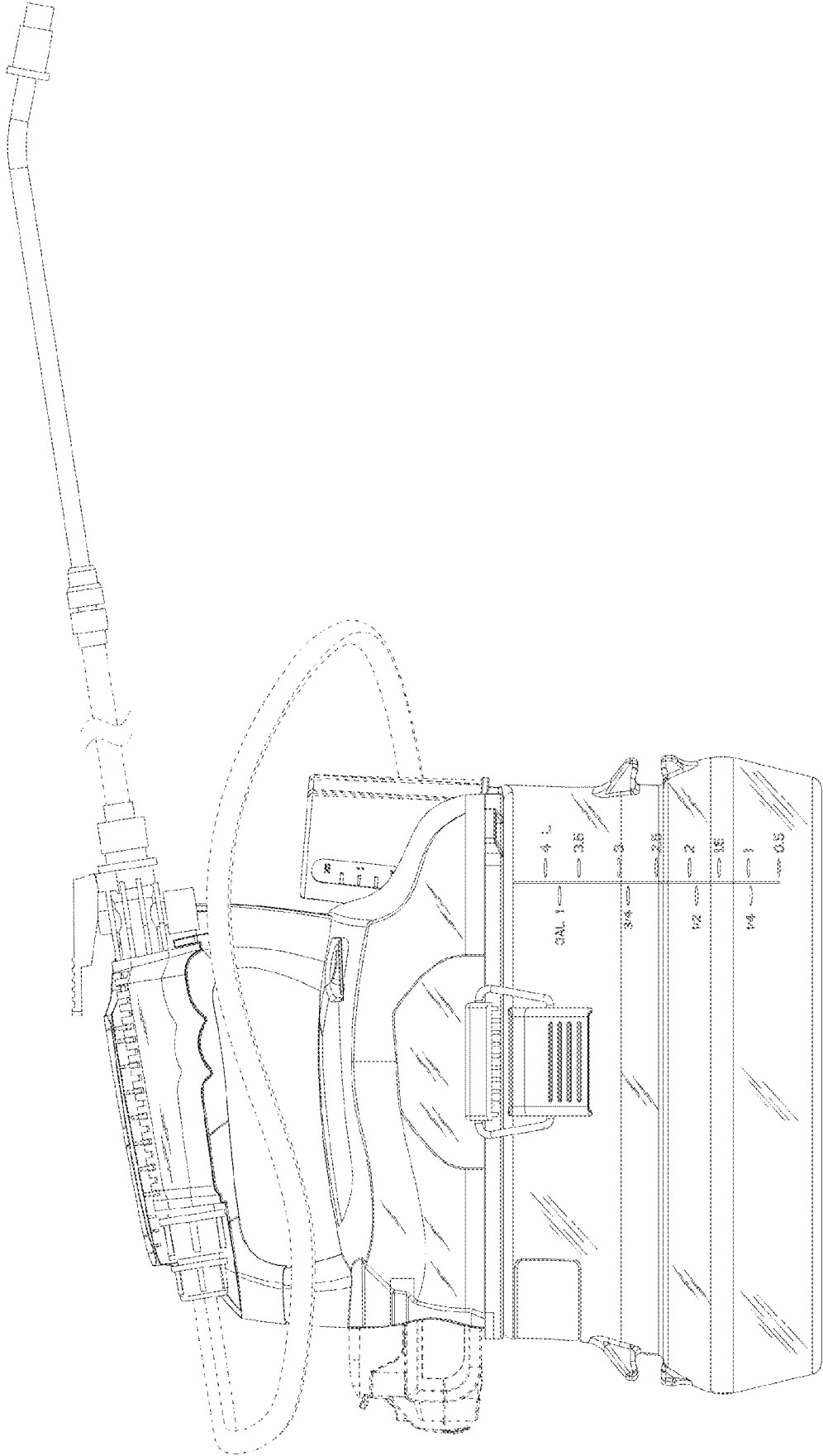


FIG. 2

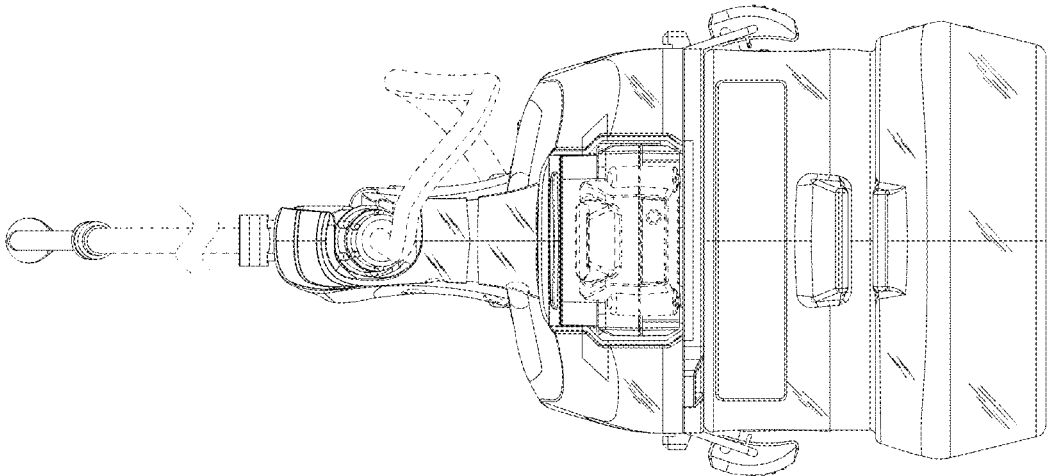


FIG. 3

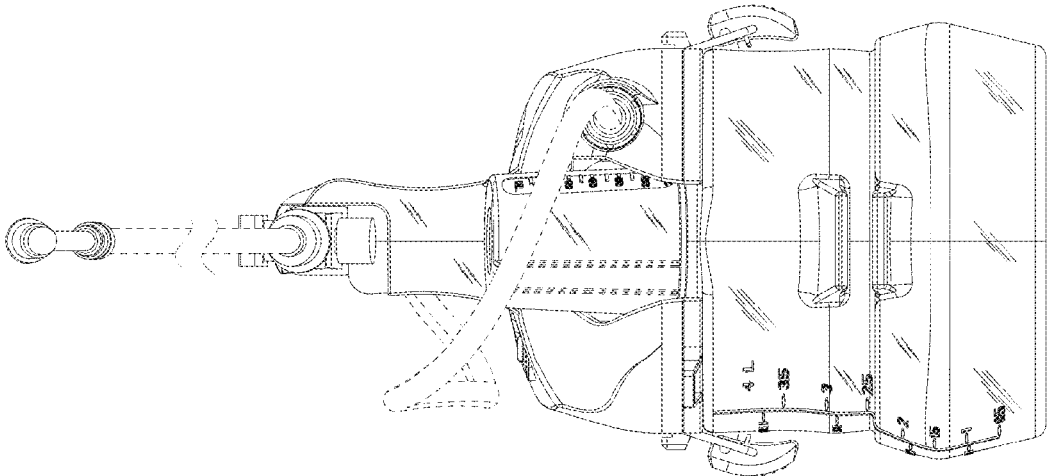


FIG. 4

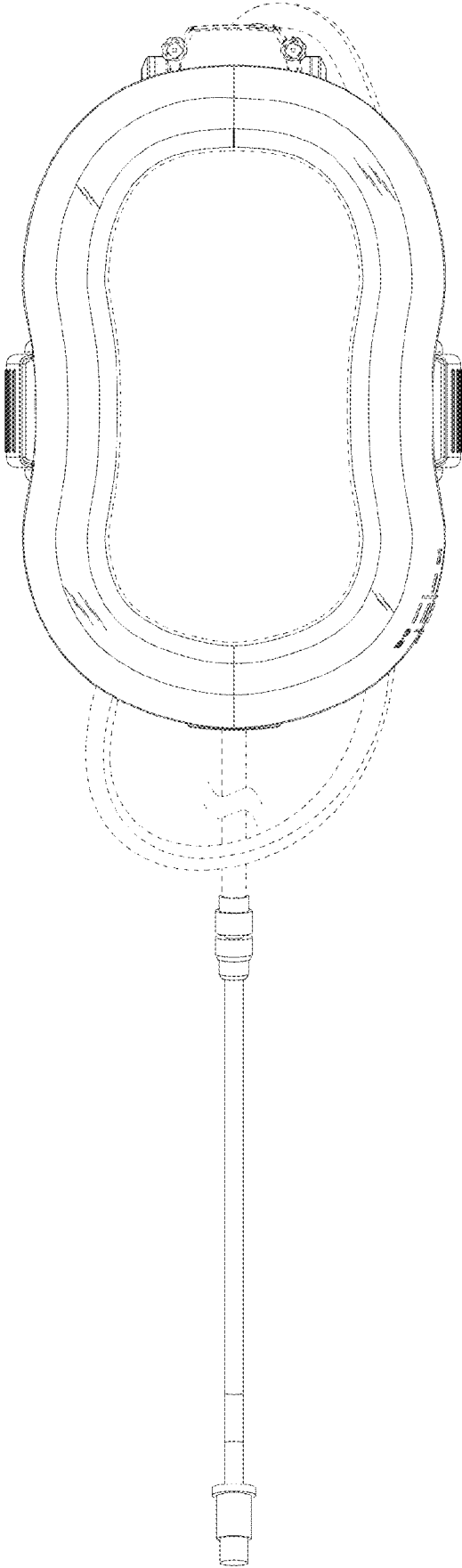


FIG. 5

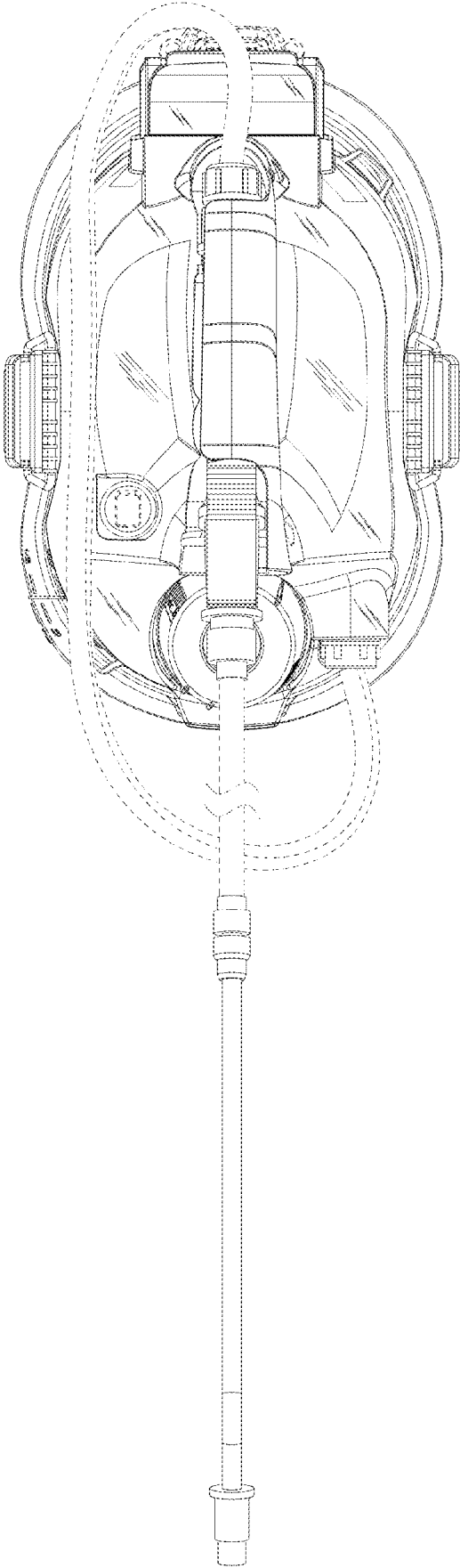


FIG. 6

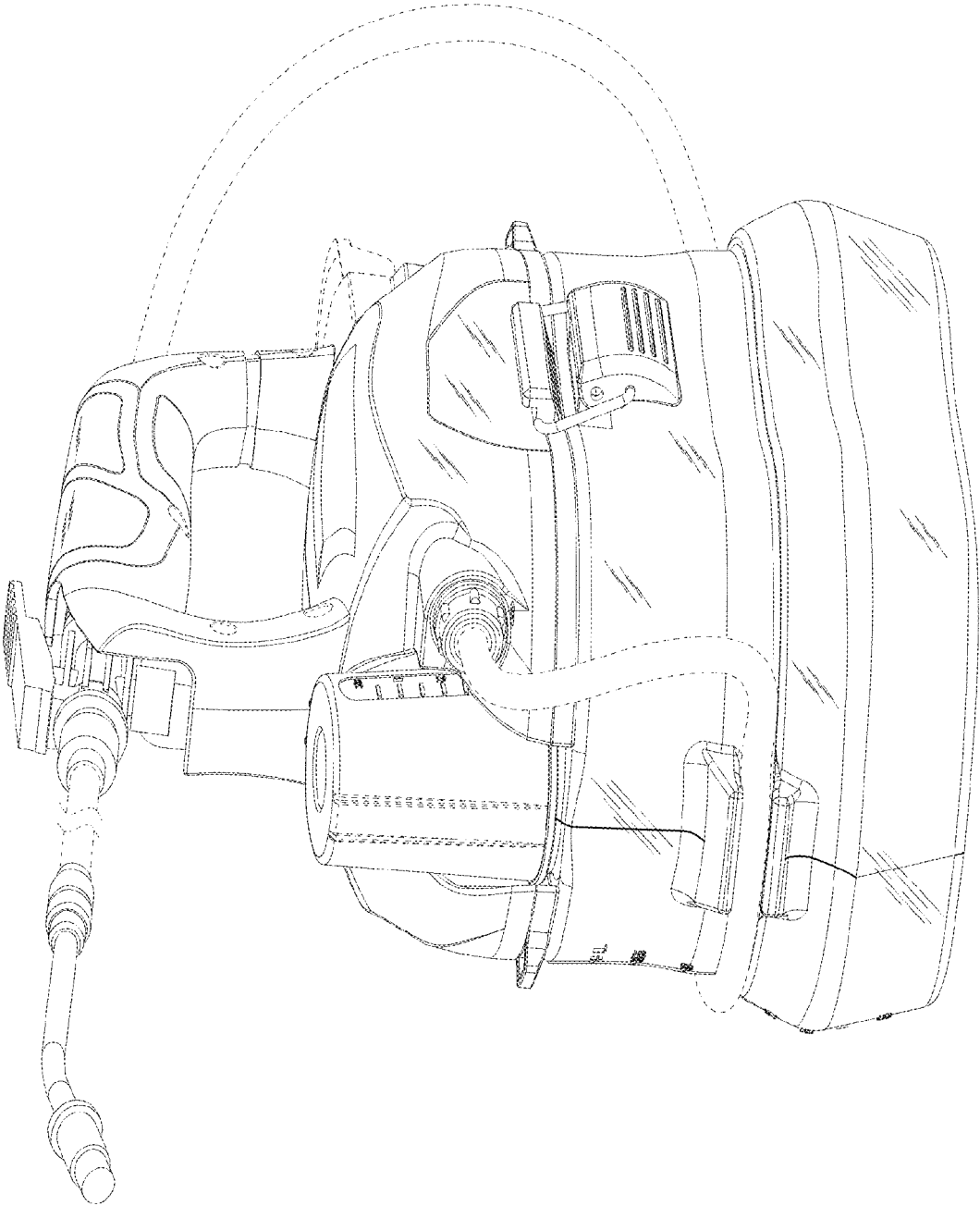


FIG. 7