



US00D864648S

(12) **United States Design Patent**
Josancy et al.

(10) **Patent No.:** **US D864,648 S**

(45) **Date of Patent:** **** Oct. 29, 2019**

(54) **ELECTRIC KETTLE**

(71) Applicant: **SEB**, Selongey (FR)

(72) Inventors: **Luc Josancy**, Sainte-Colombe (FR);
Fan Sifang, Hangzhou (CN); **Chen Jian**, Hangzhou (CN)

(**) Term: **15 Years**

(21) Appl. No.: **35/504,777**

(22) Filed: **Mar. 23, 2018**

(80) **Hague Agreement Data**

Int. Filing Date: **Mar. 23, 2018**

Int. Reg. No.: **DM/100588**

Int. Reg. Date: **Mar. 23, 2018**

Int. Reg. Pub. Date: **Apr. 20, 2018**

(30) **Foreign Application Priority Data**

Oct. 31, 2017 (FR) 2017-4981

(51) **LOC (12) Cl.** **07-01**

(52) **U.S. Cl.**
USPC **D7/319**

(58) **Field of Classification Search**
USPC D7/300, 312, 316-322
CPC A47J 27/21; A47J 27/21008; A47J
27/21016; A47J 27/21175; A47J
27/21191; A47J 41/0038
See application file for complete search history.

(56) **References Cited**

U.S. PATENT DOCUMENTS

3,024,718 A * 3/1962 Morrison A47J 27/21008
222/129.4
D239,687 S * 4/1976 Breger D7/317
D269,585 S * 7/1983 Phillips D7/321
D285,160 S 8/1986 Osit

4,623,457 A 11/1986 Hankammer
D322,007 S 12/1991 Adams et al.
D339,023 S 9/1993 De Coster
D345,670 S 4/1994 Piret
D362,151 S 9/1995 Wilson et al.
D362,582 S 9/1995 Wilson et al.
D366,388 S 1/1996 Alessi Anghini et al.
D390,743 S 2/1998 Saltet
D393,569 S 4/1998 Lai et al.
D399,090 S 10/1998 Green
D437,175 S 2/2001 Brady
D439,466 S 3/2001 Bouhuys
D442,014 S 5/2001 Haring et al.
D463,947 S 10/2002 Choi
D475,233 S 6/2003 De Visser
6,755,120 B1 6/2004 Lin
D498,384 S 11/2004 McWilliam
D498,638 S 11/2004 Morrison
D528,846 S 9/2006 Tamura
D544,288 S 6/2007 Berlencourt
D554,425 S 11/2007 Schwamkrug
D562,053 S 2/2008 Cohen
D568,667 S * 5/2008 Appleton D7/317
D581,718 S 12/2008 Verdun
D595,534 S 7/2009 Mankowitz

(Continued)

Primary Examiner — Mary Ann Calabrese

(57) **CLAIM**

The ornamental design for electric kettle, as shown and described.

DESCRIPTION

2. Electric kettle

2.1 : Front

2.2 : Back

2.3 : Right

2.4 : Top

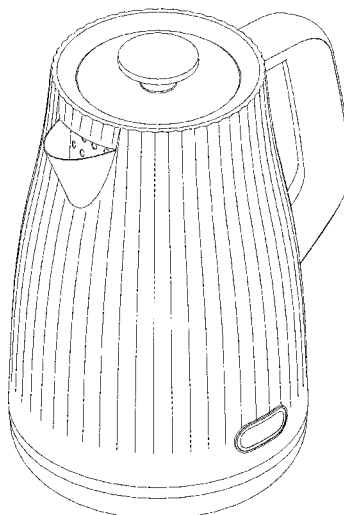
2.5 : Bottom

2.6 : Left

2.7 : Perspective

The portions of the electric food kettle shown by coloring form no part of the claimed design.

1 Claim, 7 Drawing Sheets



(56)

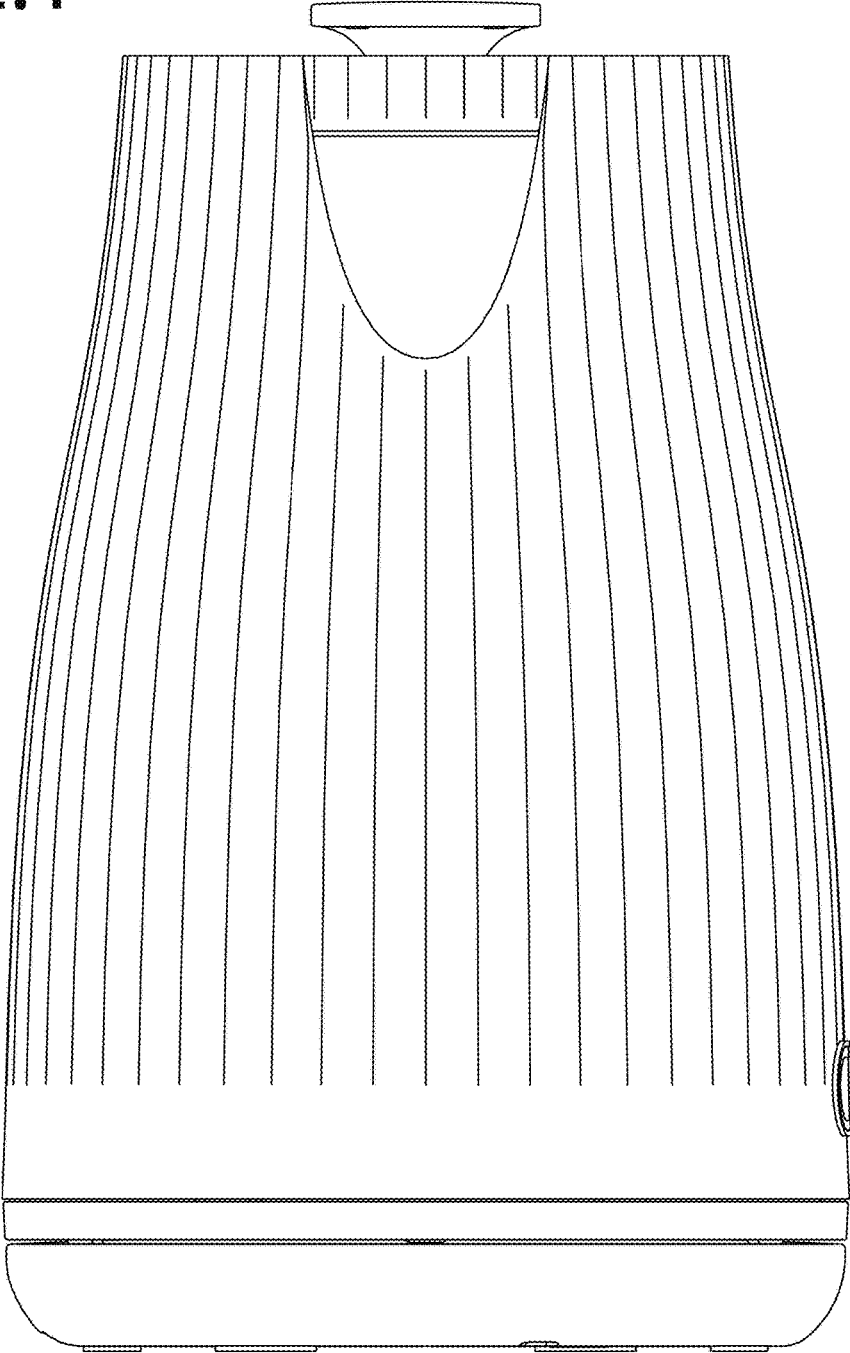
References Cited

U.S. PATENT DOCUMENTS

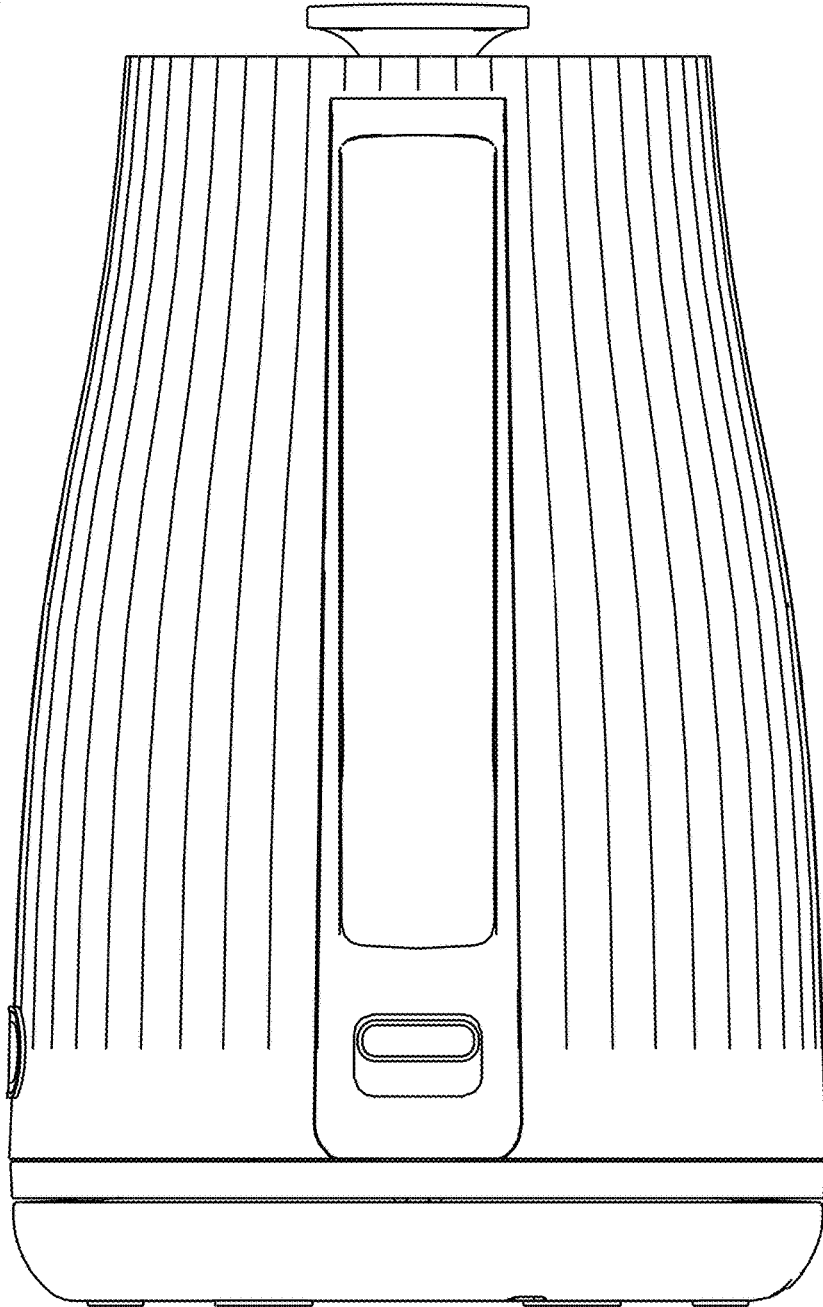
D599,161	S	9/2009	Friel, Sr. et al.	
D602,304	S	10/2009	Elissen	
D607,686	S	1/2010	Elissen	
D630,882	S	1/2011	Cohen	
D658,925	S	5/2012	Horimoto	
D666,865	S	9/2012	Spivey et al.	
D670,526	S *	11/2012	Street	A47J 27/21166 D7/317
D686,034	S	7/2013	Bodum	
8,536,490	B2	9/2013	Zhang et al.	
D703,479	S	4/2014	Norland et al.	
D709,724	S	7/2014	Mander	
D714,581	S	10/2014	Shao	
D718,974	S	12/2014	De'Longhi et al.	
D726,486	S	4/2015	Averty	
D731,226	S	6/2015	Sun	
D747,130	S	1/2016	Kunz	
D752,911	S	4/2016	Bazzicalupo et al.	
D763,042	S *	8/2016	Shao	D7/517
D777,500	S	1/2017	Lee et al.	
D779,259	S	2/2017	De' Longhi et al.	
D779,260	S	2/2017	De' Longhi et al.	
D788,511	S	6/2017	Powell	
D805,342	S *	12/2017	Benoit	D7/318
D827,355	S	9/2018	Powell	
2012/0145698	A1	6/2012	Von Seidel	
2016/0192803	A1 *	7/2016	Doyle	A47J 27/21166 219/386

* cited by examiner

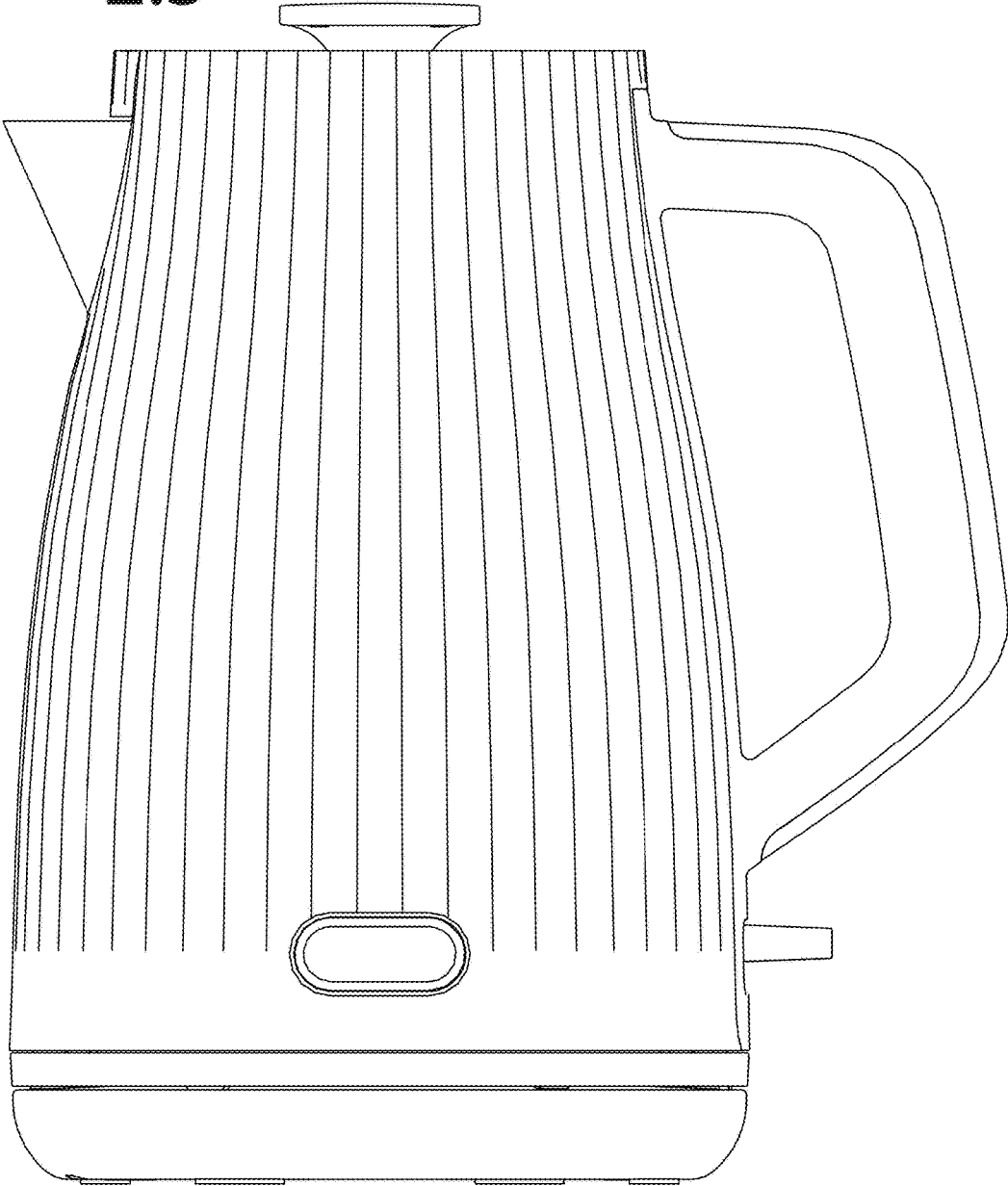
2.1



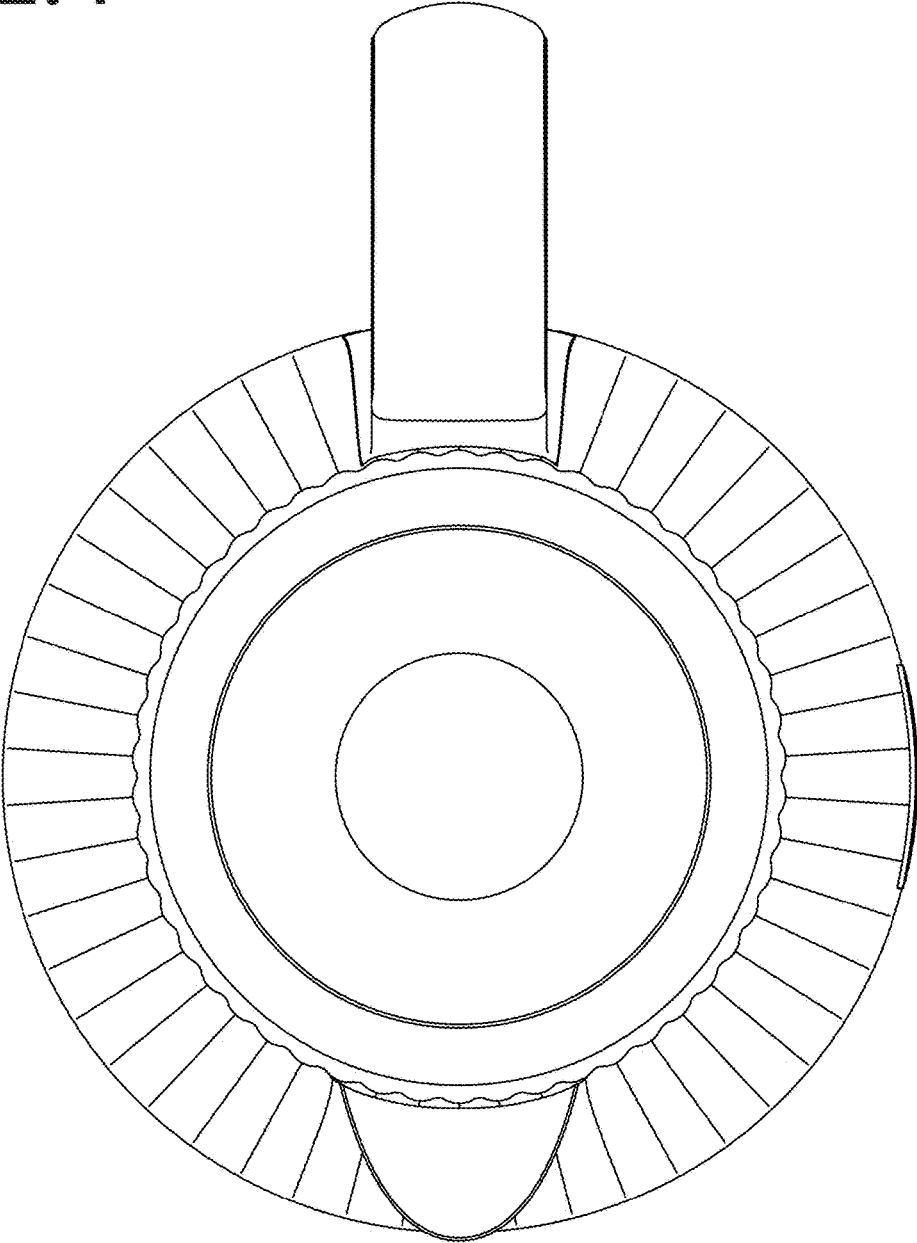
2.2



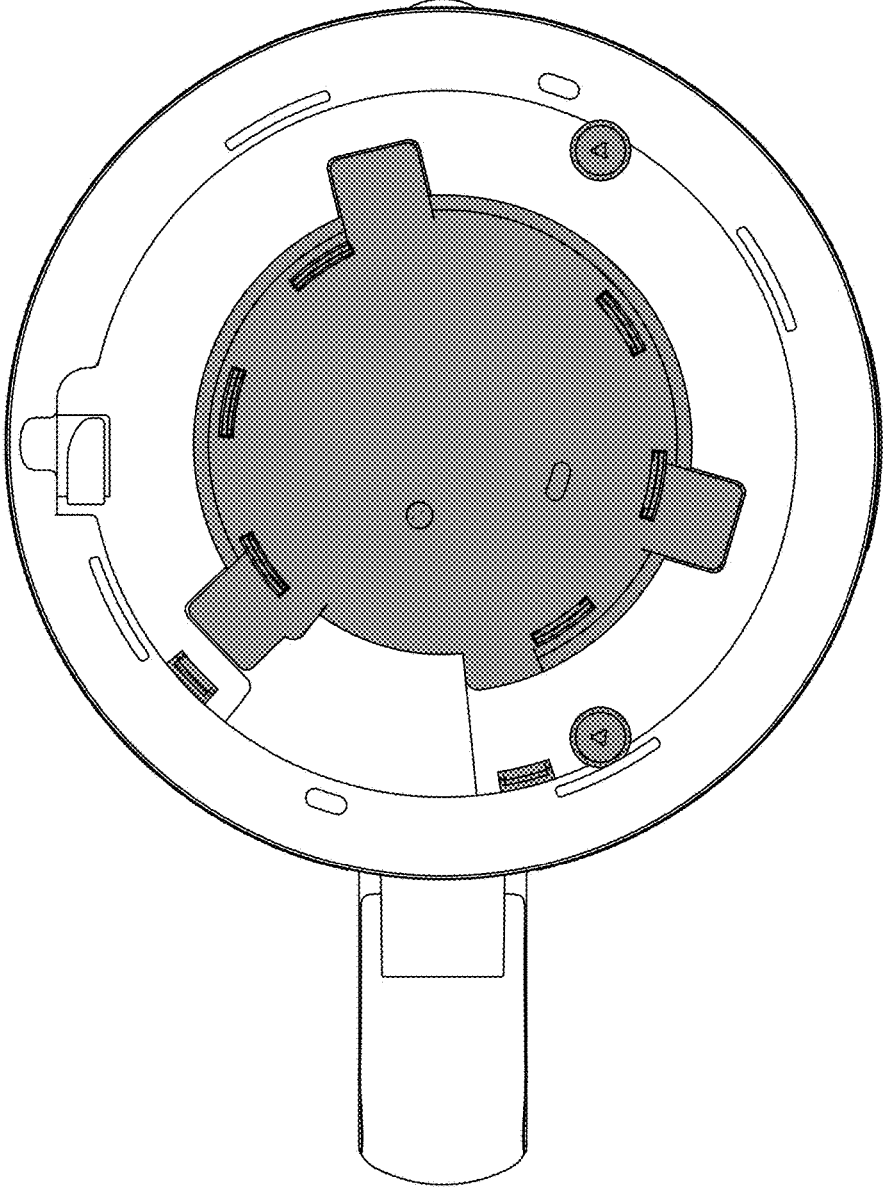
2.3



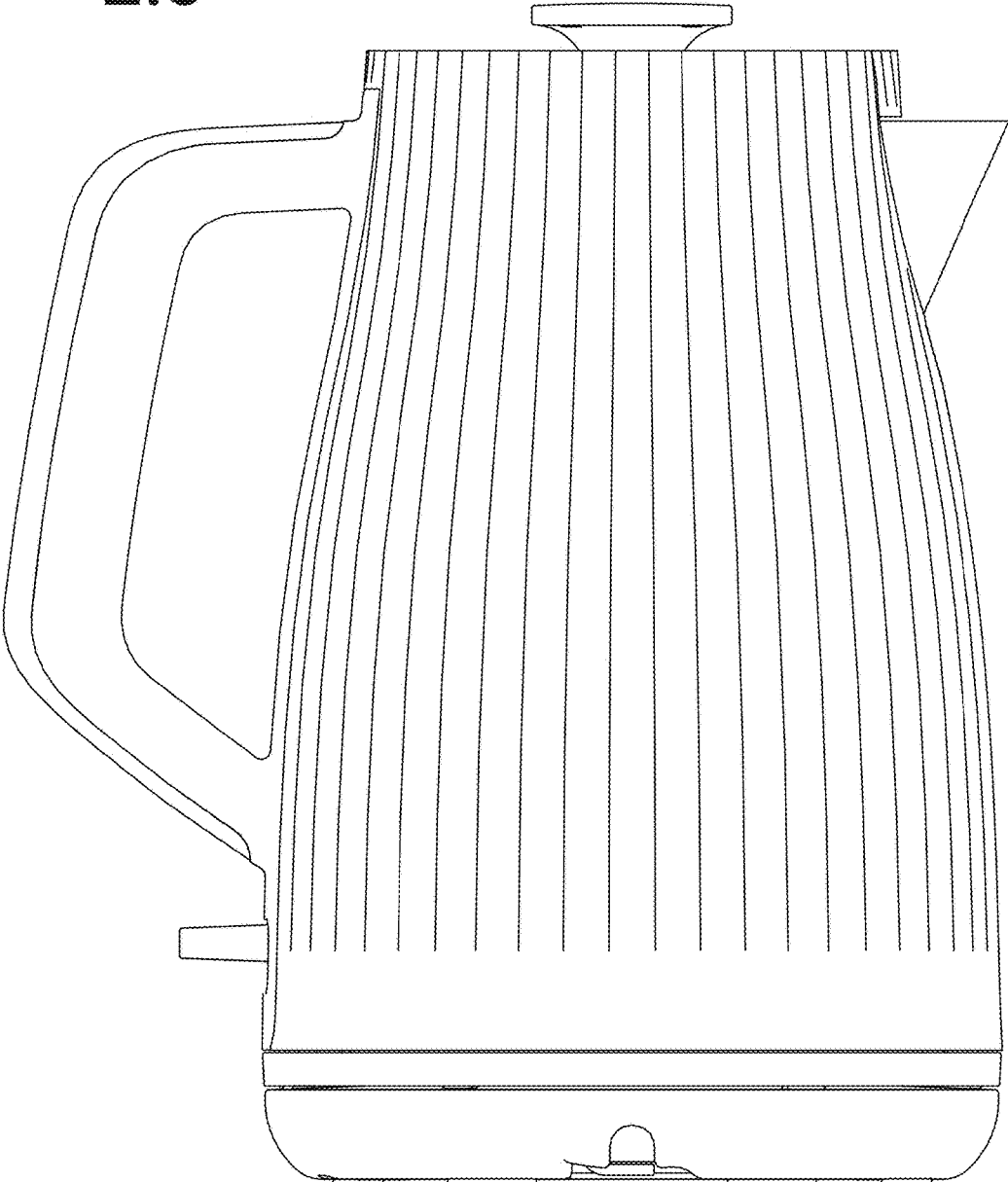
2.4



2.5



2.6



2.7

