



US00D557028S

(12) **United States Design Patent**
Su

(10) **Patent No.:** **US D557,028 S**

(45) **Date of Patent:** **** Dec. 11, 2007**

(54) **CHAIR**

(76) Inventor: **Tung-Hua Su**, No. 6, Sec. 3, Bao Ta Road, Kuwi Jen Hsiang, tainan Hsien (TW)

(**) Term: **14 Years**

(21) Appl. No.: **29/281,172**

(22) Filed: **Jun. 16, 2007**

(51) **LOC (8) Cl.** **06-01**

(52) **U.S. Cl.** **D6/366**

(58) **Field of Classification Search** D6/334-336, D6/364, 367, 369, 374, 379, 380, 498, 500-502; 297/411.2, 411.27, 411.36, 452.29, 452.3, 297/452.46, 452.56, 452.64
See application file for complete search history.

(56) **References Cited**

U.S. PATENT DOCUMENTS

D507,124 S *	7/2005	Yang	D6/366
D510,488 S *	10/2005	Su	D6/366
D516,828 S *	3/2006	Tsai	D6/366
D527,920 S *	9/2006	Giugiaro	D6/366
D540,080 S *	4/2007	Su	D6/502
D540,081 S *	4/2007	Su	D6/502
D540,579 S *	4/2007	Su	D6/502

D540,580 S *	4/2007	Su	D6/502
D542,043 S *	5/2007	Wu	D6/366
D543,398 S *	5/2007	Su	D6/502
D544,735 S *	6/2007	Su	D6/502
D545,582 S *	7/2007	Wu	D6/366
D548,994 S *	8/2007	Mao	D6/366

* cited by examiner

Primary Examiner—Mimosa De

(74) *Attorney, Agent, or Firm*—Banger Shia

(57) **CLAIM**

The ornamental design for a chair, as shown.

DESCRIPTION

FIG. 1 is a perspective view of a chair showing my new design;

FIG. 2 is a front elevation view thereof;

FIG. 3 is a rear elevation view thereof;

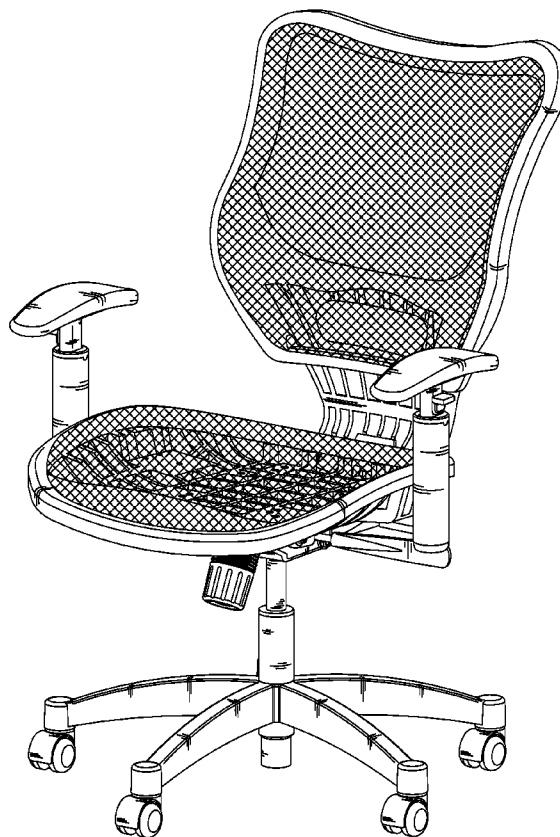
FIG. 4 is a left side elevation view thereof;

FIG. 5 is a right side elevation view thereof;

FIG. 6 is a top plan view thereof; and,

FIG. 7 is a bottom plan view thereof.

1 Claim, 7 Drawing Sheets



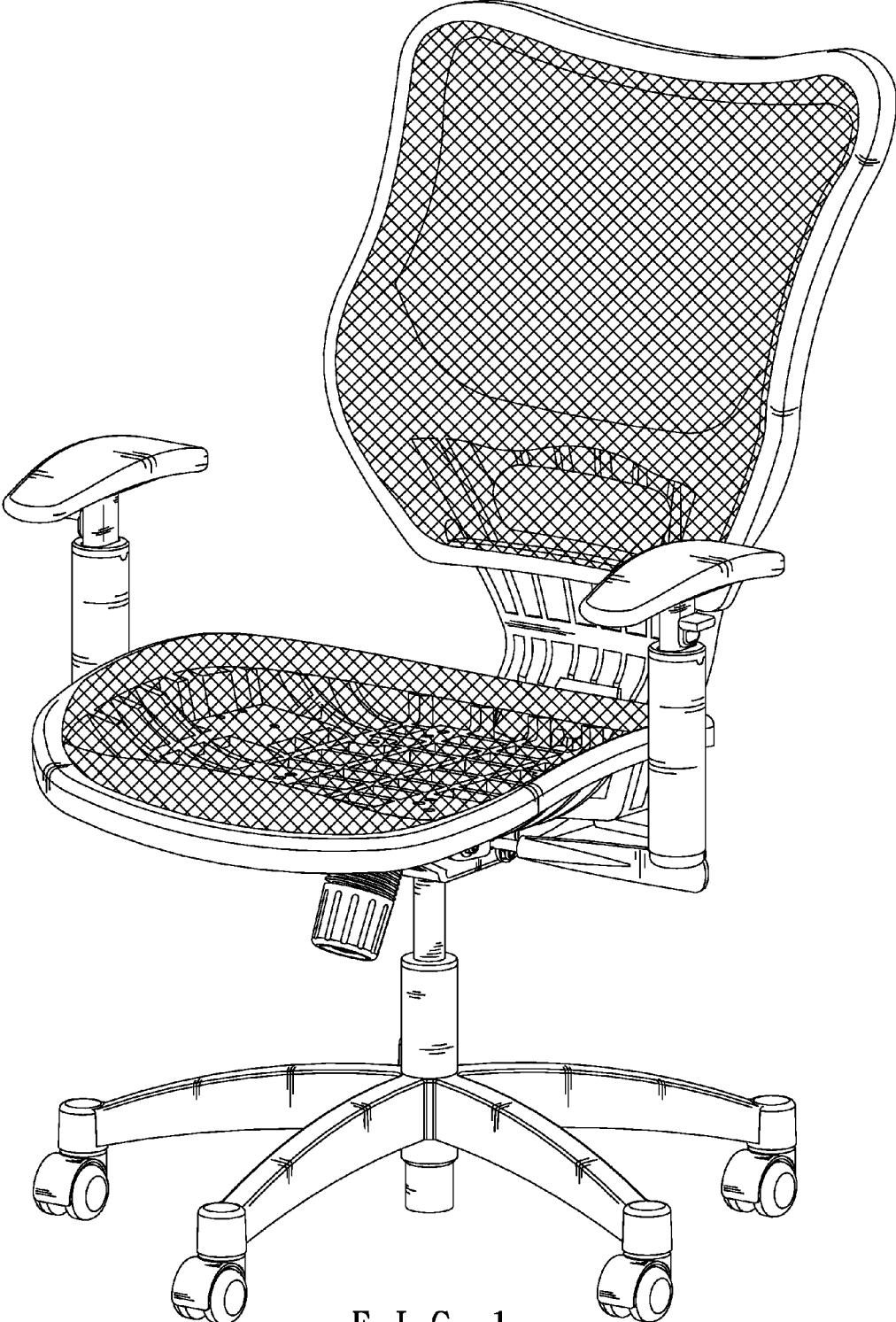


FIG. 1

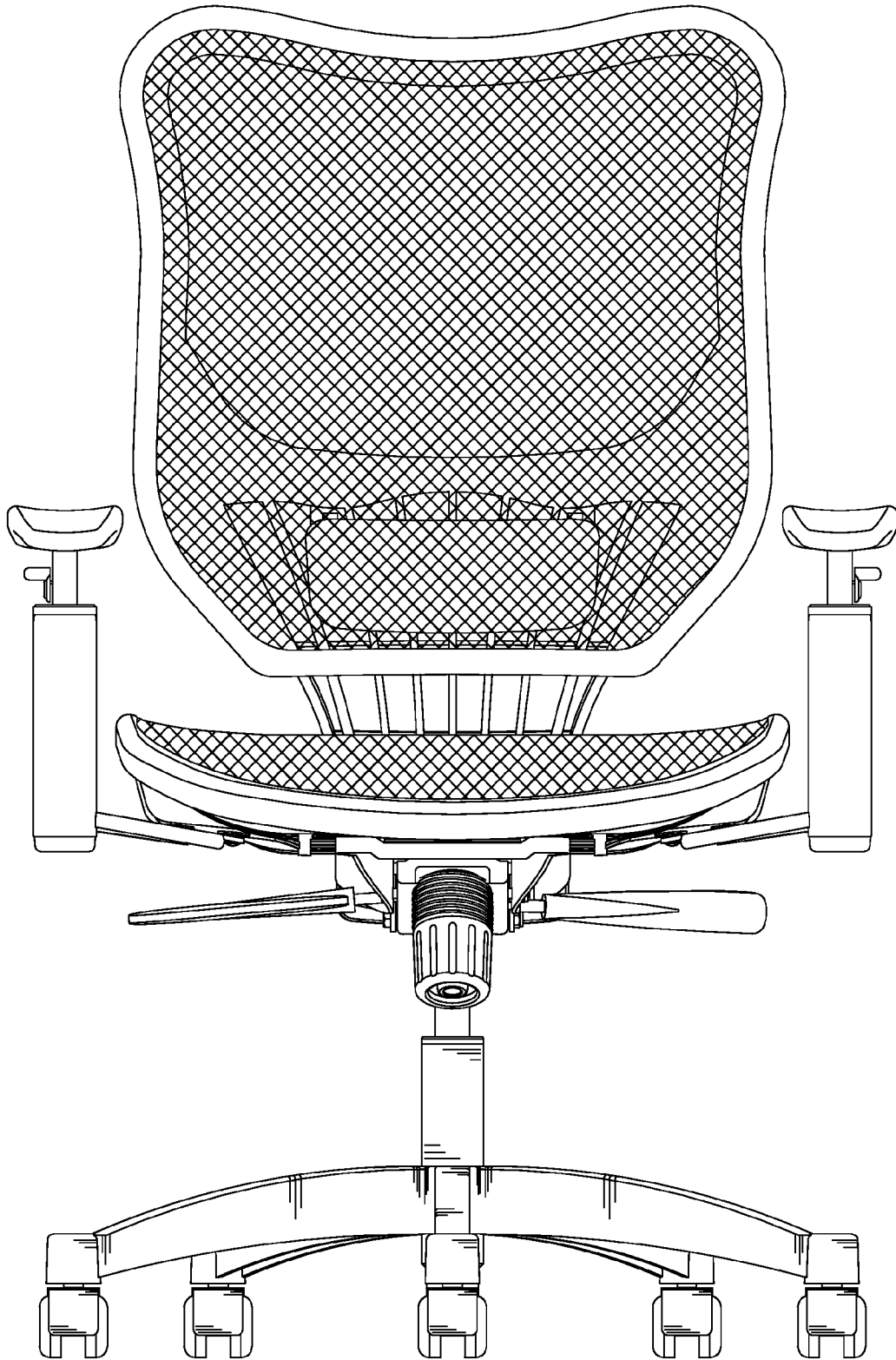


FIG. 2

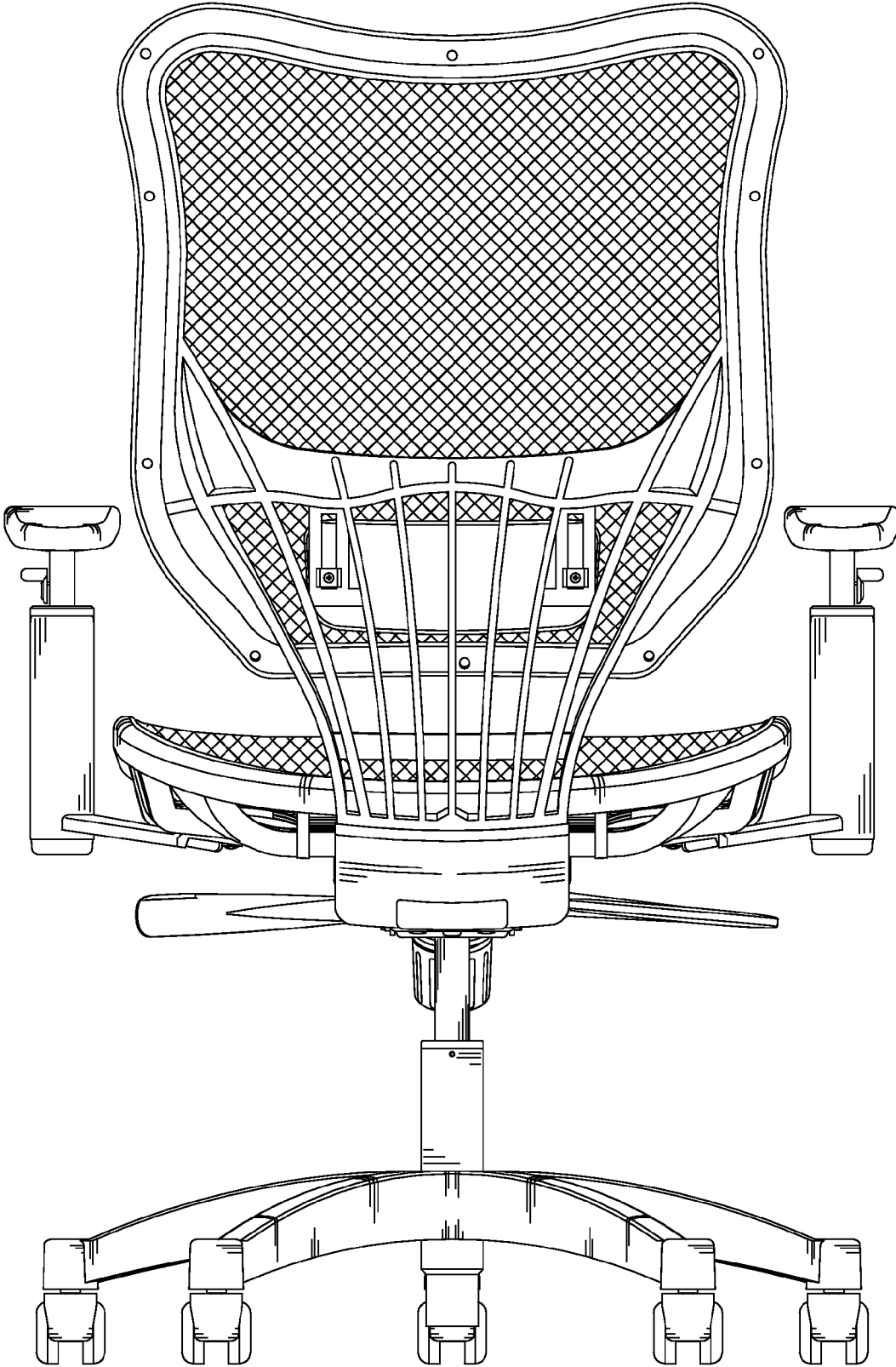
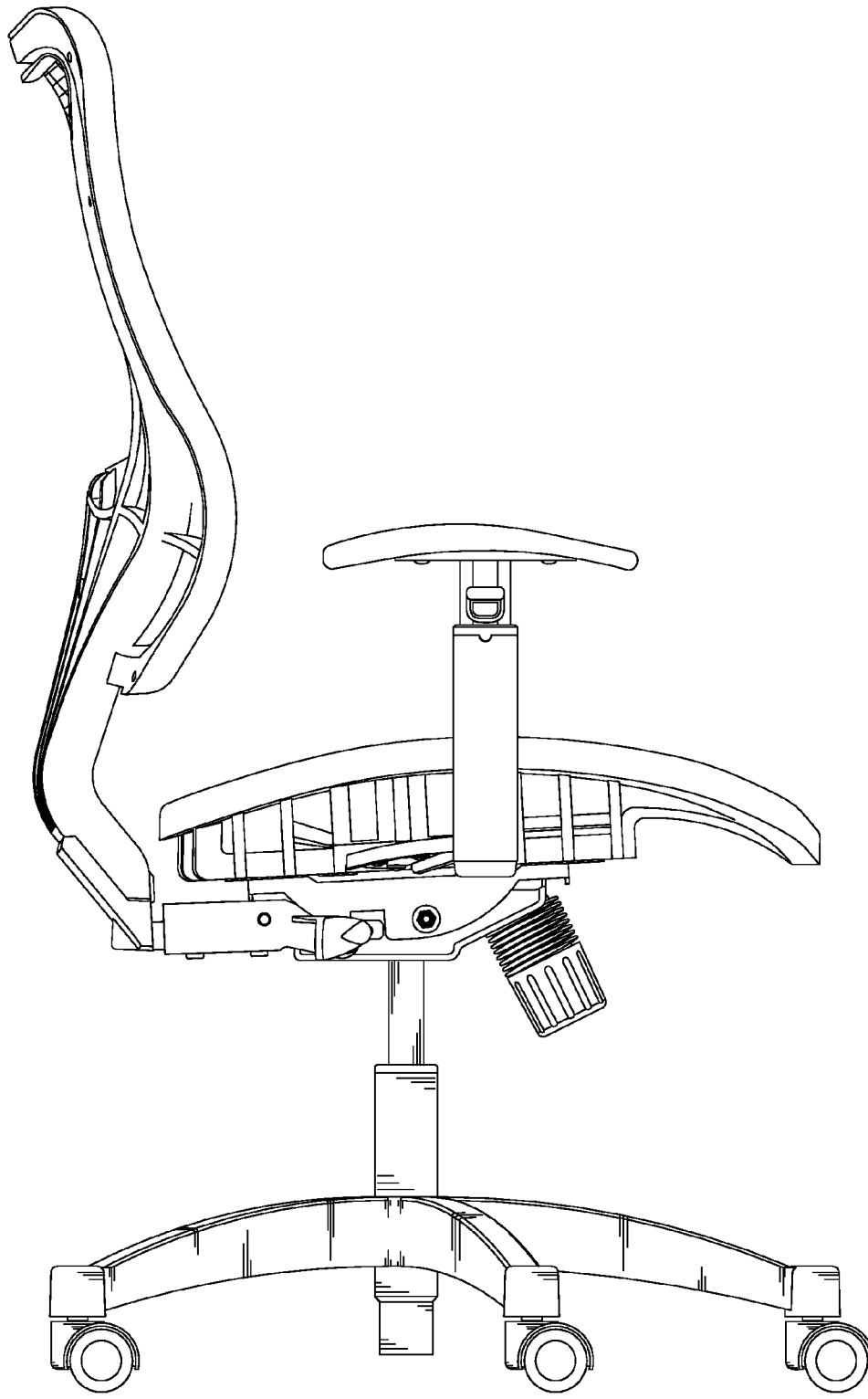


FIG. 3



F I G . 4

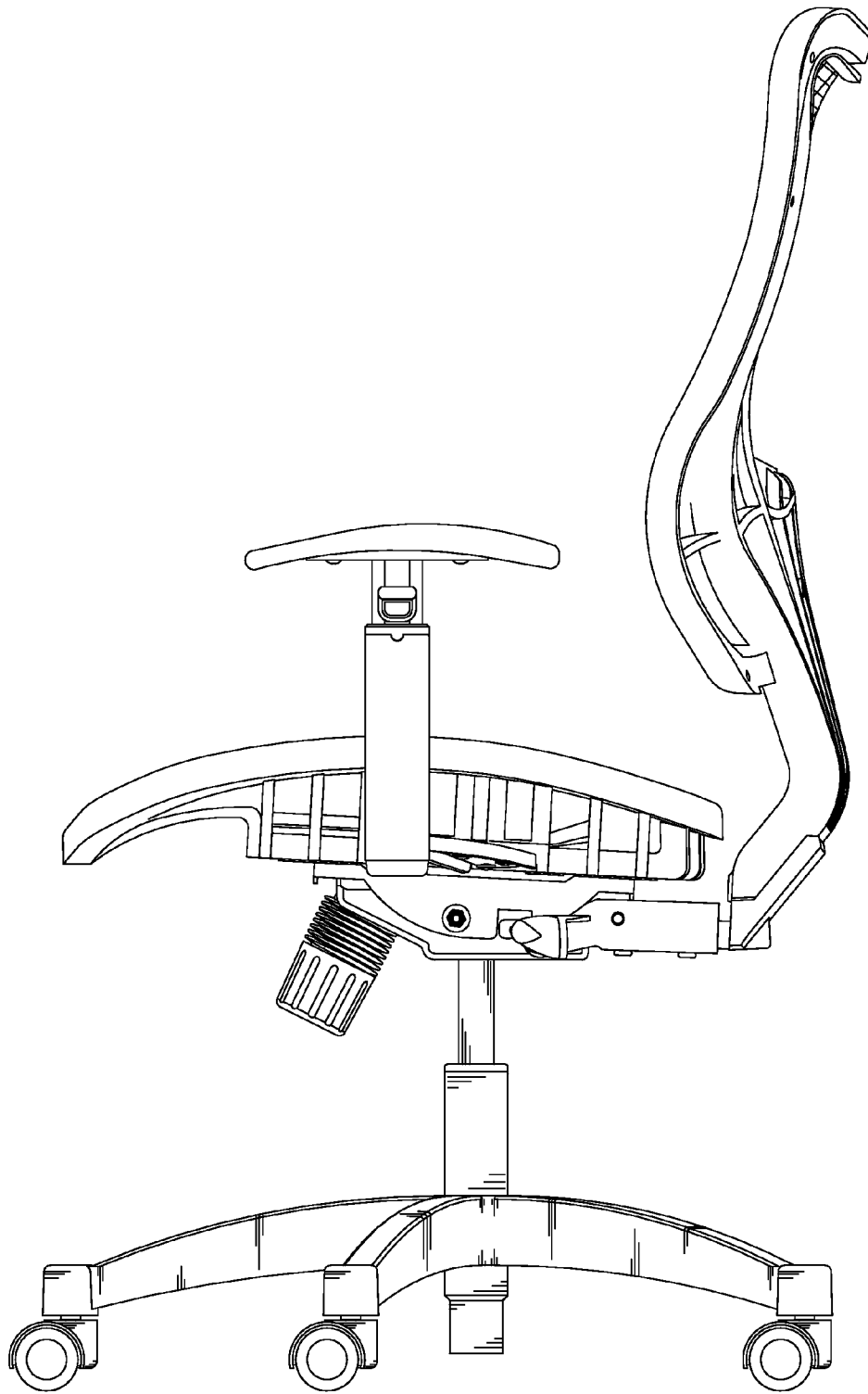
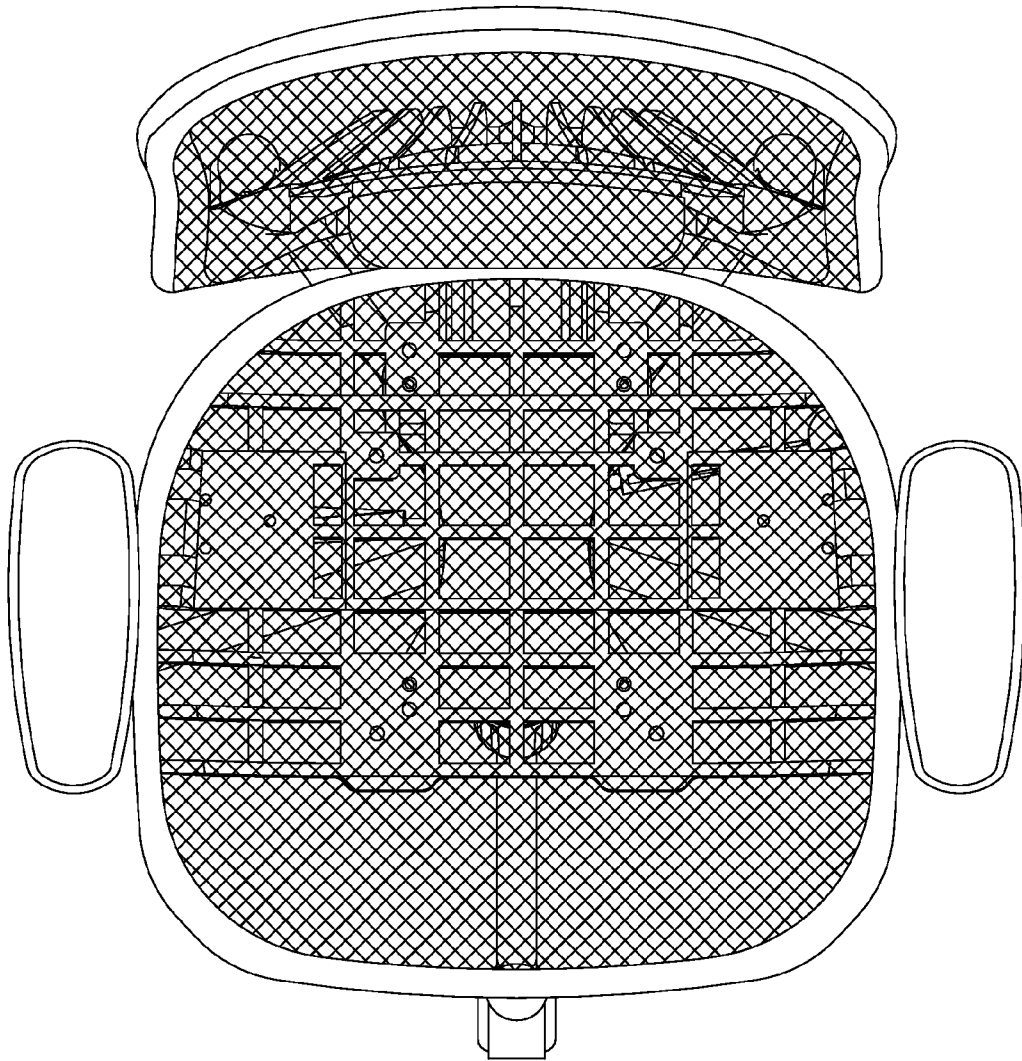
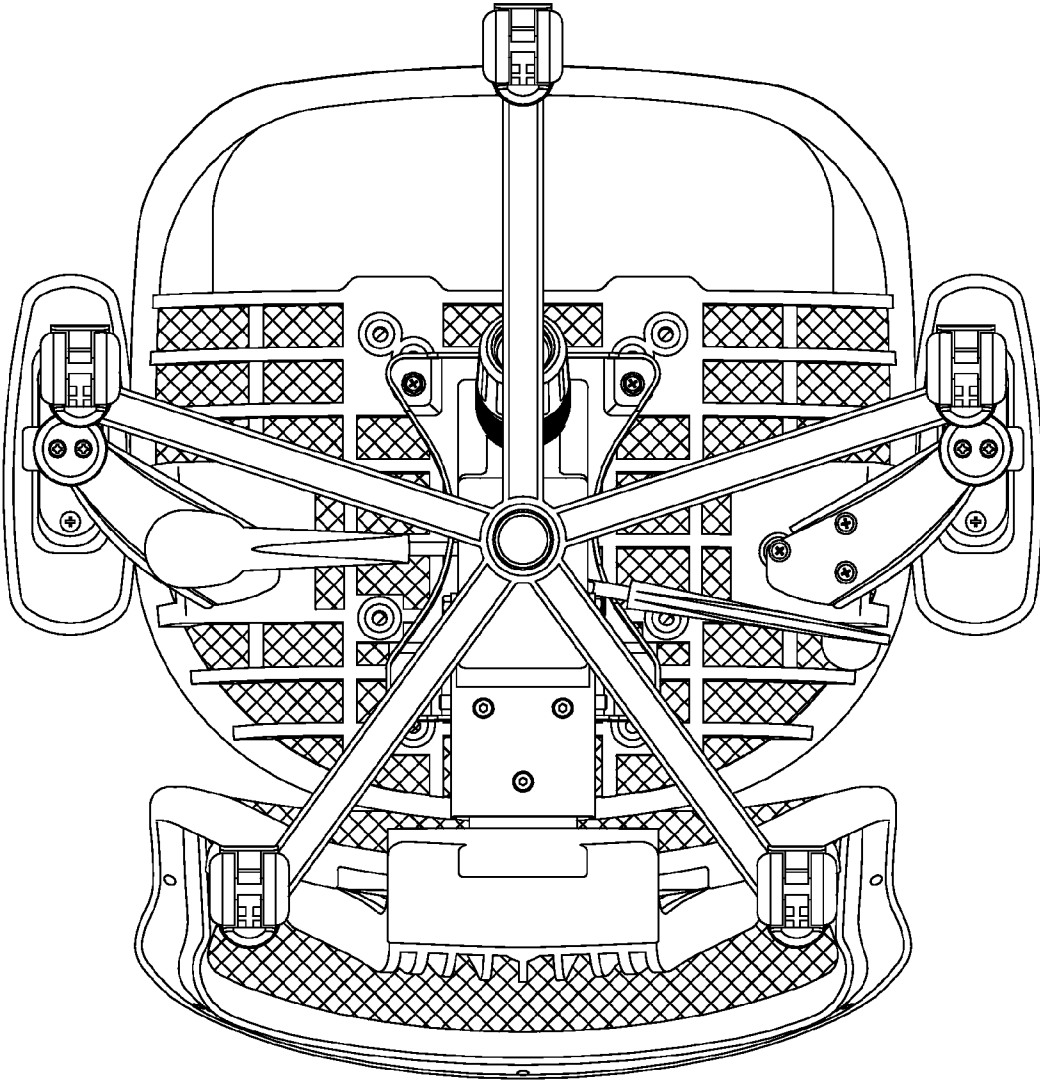


FIG. 5



F I G . 6



F I G . 7