



US00D333164S

United States Patent [19]

[11] Patent Number: **Des. 333,164**

Kraft et al.

[45] Date of Patent: **** Feb. 9, 1993**

- [54] **ELECTRONIC GAME HOUSING**
- [75] Inventors: **David W. Kraft; Jess L. Tode**, both of Bozeman, Mont.
- [73] Assignee: **Video Lottery Consultants, Inc.**, Bozeman, Mont.
- [**] Term: **14 Years**
- [21] Appl. No.: **707,406**
- [22] Filed: **May 30, 1991**
- [52] U.S. Cl. **D21/13**
- [58] Field of Search **D21/13, 48; 273/148 A, 273/434, 438, DIG. 28**

4,521,014 6/1985 Sitrick 273/434

OTHER PUBLICATIONS

Plaything, Feb. 1983, p. 104, Pacman Unit.

Primary Examiner—Bernard Ansher

Assistant Examiner—Prabhakar Deshmukh

Attorney, Agent, or Firm—Kokjer, Kircher, Bowman & Johnson

CLAIM

[57]

The ornamental design for an electronic game housing, as shown and described.

DESCRIPTION

FIG. 1 is a perspective view of an electronic game housing showing our new design;

FIG. 1 is a front elevational view thereof;

FIG. 3 is a left side elevational view thereof;

FIG. 4 is a top plan view thereof;

FIG. 5 is a right side elevational view thereof; and,

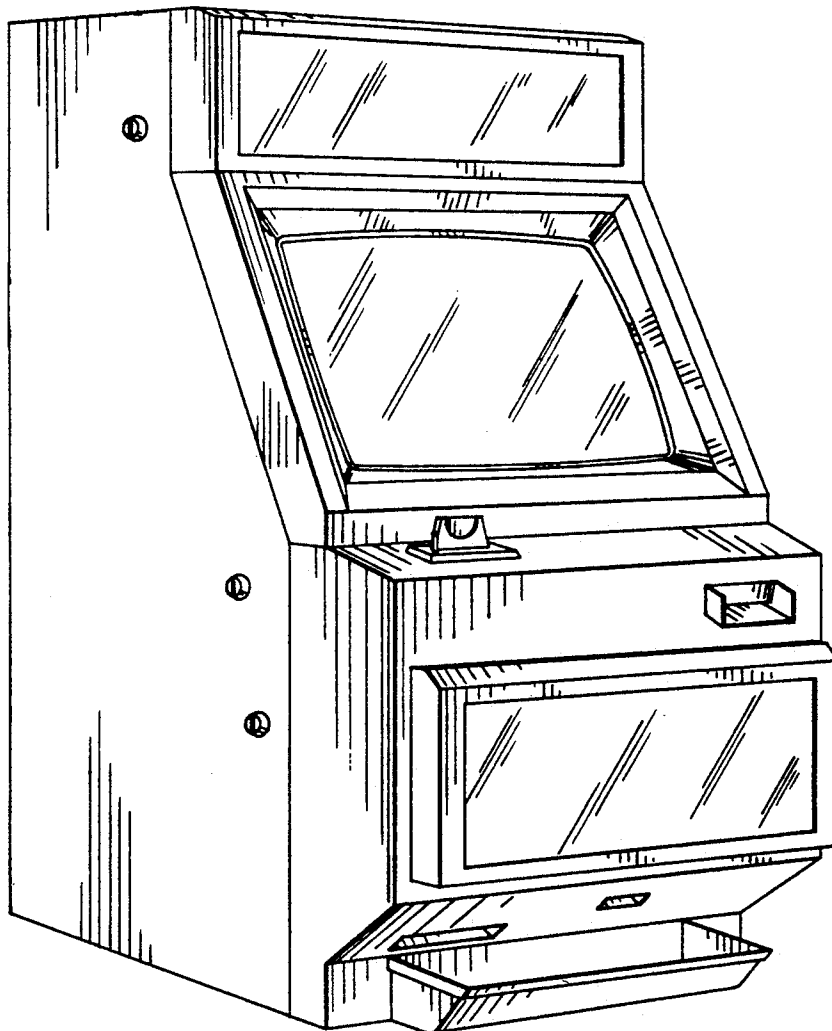
FIG. 6 is a rear elevational view thereof.

[56]

References Cited

U.S. PATENT DOCUMENTS

- | | | | | |
|------------|---------|----------------|-------|-------------|
| D. 272,163 | 1/1984 | Takizawa | | D21/13 |
| D. 327,508 | 6/1992 | Mirando et al. | | D21/13 |
| 3,541,256 | 11/1970 | Anders | | 273/148 B X |
| 4,516,777 | 5/1985 | Nikora | | 273/148 B |



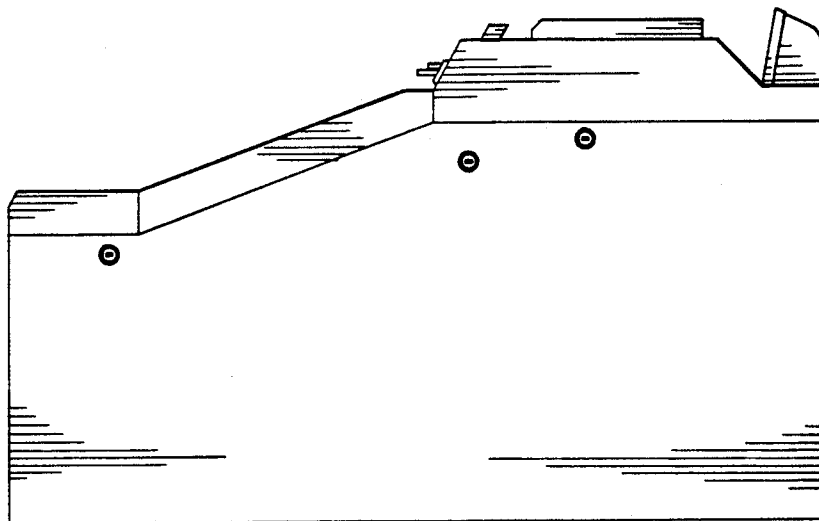


Fig. 3.

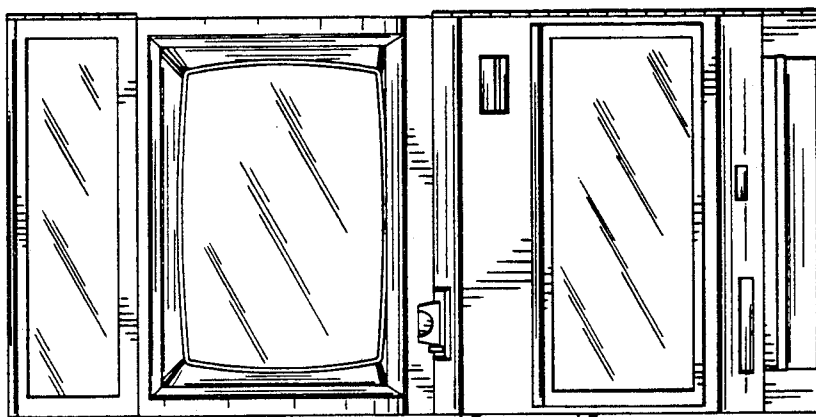


Fig. 2.

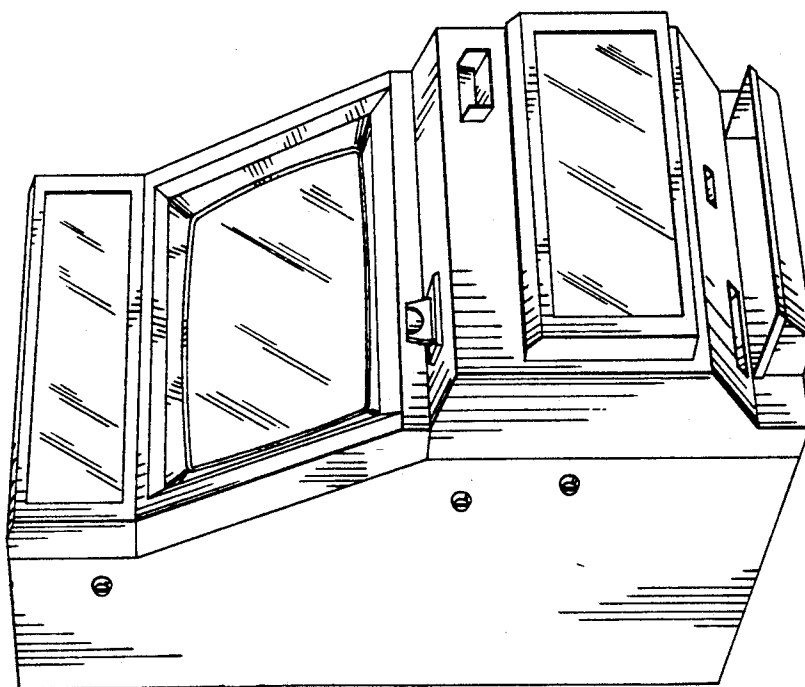


Fig. 1.

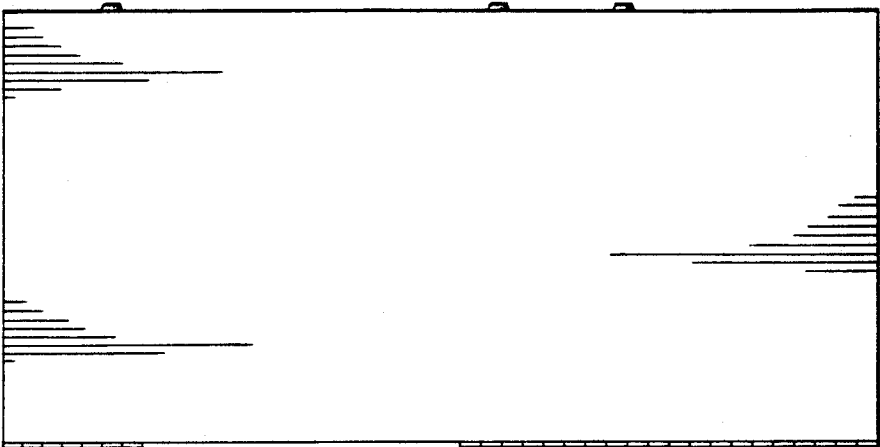


Fig. 6.

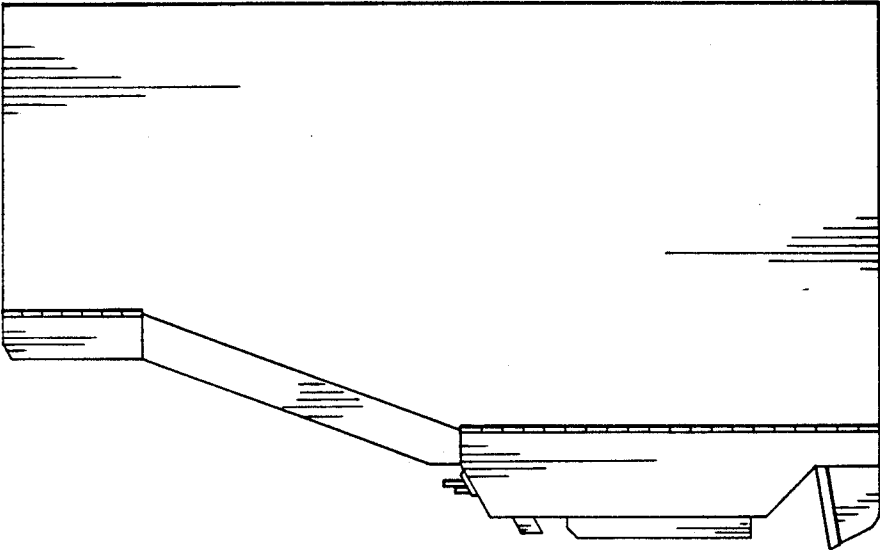


Fig. 5.

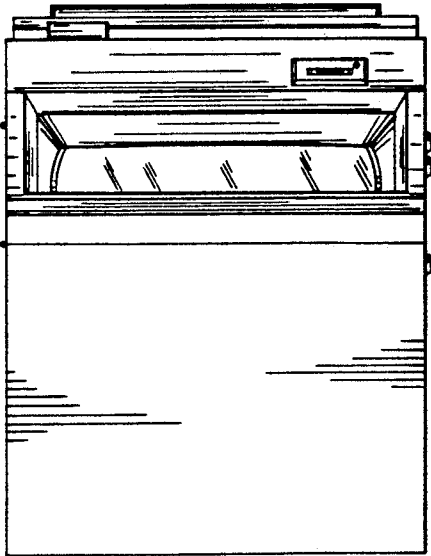


Fig. 4.