



US00D887415S

(12) **United States Design Patent**
Claudepierre et al.

(10) **Patent No.:** **US D887,415 S**
(45) **Date of Patent:** **** Jun. 16, 2020**

- (54) **ADJUSTABLE FOLIO**
- (71) Applicant: **Google LLC**, Mountain View, CA (US)
- (72) Inventors: **Vincent Claudepierre**, San Francisco, CA (US); **Christophe Koch**, Santa Cruz, CA (US); **Joseph Tsao**, Grandview, MO (US)
- (73) Assignee: **Google LLC**, Mountain View, CA (US)
- (**) Term: **15 Years**
- (21) Appl. No.: **29/649,420**
- (22) Filed: **May 30, 2018**
- (51) **LOC (12) Cl.** **14-02**
- (52) **U.S. Cl.**
USPC **D14/440**
- (58) **Field of Classification Search**
USPC D14/440, 447, 250; 206/45.23, 320, 206/45.2; 361/679.55; 294/25; 224/218
CPC G06F 1/1628; G06F 1/1626; A47B 23/044
See application file for complete search history.

| | | | |
|-------------------|---------|--------------|---------------------------|
| D807,365 S | 1/2018 | Liu | |
| D808,394 S * | 1/2018 | Lakraa | D14/440 |
| D808,950 S | 1/2018 | Miele et al. | |
| D811,409 S | 2/2018 | Zhong | |
| D820,838 S * | 6/2018 | Akana | D14/345 |
| D832,256 S | 10/2018 | King | |
| D837,793 S * | 1/2019 | Ham | D14/440 |
| D847,820 S | 5/2019 | Pisapia | |
| D857,023 S * | 8/2019 | Hyun | D14/440 |
| 2005/0055861 A1 | 3/2005 | McAnulty | |
| 2008/0024388 A1 | 1/2008 | Bruce | |
| 2008/0167095 A1 * | 7/2008 | Kim | H04M 1/0216 455/575.3 |
| 2009/0159763 A1 * | 6/2009 | Kim | F16M 13/00 248/174 |
| 2009/0194209 A1 * | 8/2009 | De Filippis | A45C 11/00 150/107 |
| 2011/0305496 A1 | 12/2011 | Jolani | |
| 2012/0268891 A1 * | 10/2012 | Cencioni | G06F 1/1626 361/679.55 |
| 2012/0308981 A1 * | 12/2012 | Libin | G09B 3/00 434/362 |
| 2013/0088431 A1 * | 4/2013 | Ballagas | G06F 1/1626 345/168 |
| 2013/0223005 A1 * | 8/2013 | Smith | G06F 1/1628 361/679.55 |
| 2013/0233762 A1 * | 9/2013 | Balaji | B65D 25/00 206/736 |
| 2013/0241381 A1 * | 9/2013 | Hynecek | H05K 5/0217 312/240 |
| 2013/0334385 A1 | 12/2013 | Steck et al. | |
| 2014/0246340 A1 * | 9/2014 | Jiang | A45C 11/00 206/45.23 |
| 2015/0065208 A1 * | 3/2015 | Balaji | H04M 1/04 455/575.8 |
| 2015/0151887 A1 * | 6/2015 | Huang | A45C 11/00 224/191 |
| 2015/0237979 A1 * | 8/2015 | Huang | A45C 11/00 206/45.25 |
| 2015/0263776 A1 * | 9/2015 | Shyu | A45C 13/002 455/575.8 |
| 2015/0266610 A1 * | 9/2015 | Melmon | B65D 5/5206 206/45.23 |
| 2015/0280768 A1 * | 10/2015 | Huang | H04B 1/3888 455/575.8 |
| 2016/0123525 A1 | 5/2016 | Nguyen | |
| 2017/0097698 A1 | 4/2017 | Maeshima | |

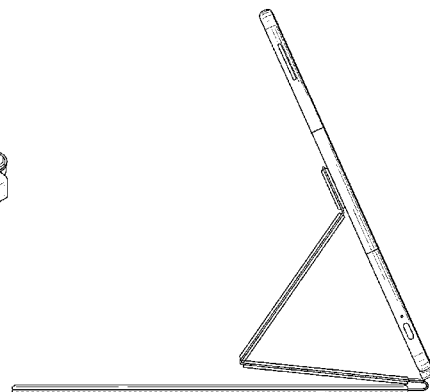
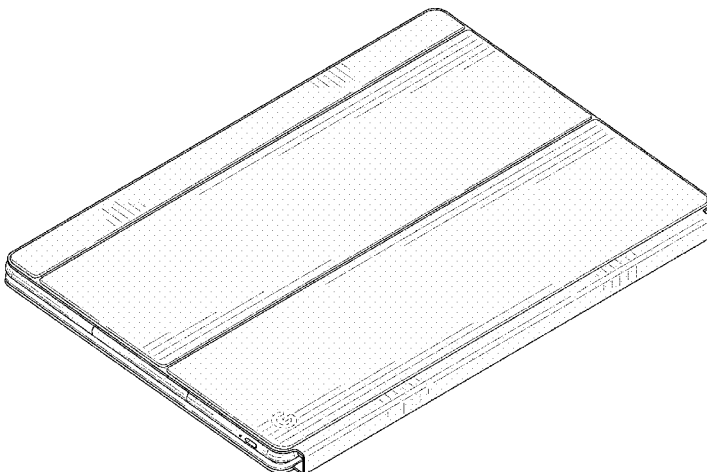
(56) **References Cited**

U.S. PATENT DOCUMENTS

| | | | |
|--------------|---------|----------------|------------------------|
| D658,187 S * | 4/2012 | Diebel | G06F 1/1679 D14/440 |
| D696,253 S * | 12/2013 | Akana | D14/345 |
| D696,669 S * | 12/2013 | Akana | D14/440 |
| D703,209 S * | 4/2014 | Marcus | D14/440 |
| D713,402 S * | 9/2014 | Akana | D14/341 |
| D723,036 S | 2/2015 | Longo et al. | |
| D752,593 S * | 3/2016 | Diebel | G06F 1/1679 D14/440 |
| D766,711 S | 9/2016 | Babbage | |
| D770,457 S * | 11/2016 | Massucco | D14/440 |
| D773,454 S * | 12/2016 | Akana | D14/341 |
| D784,995 S * | 4/2017 | Akana | D14/440 |
| D786,238 S | 5/2017 | Roberts | |
| D788,108 S | 5/2017 | Cai | |
| D789,941 S | 6/2017 | Sauvage et al. | |
| D792,884 S * | 7/2017 | Nyholm | D14/440 |
| D794,120 S | 8/2017 | Takemura | |
| D800,725 S | 10/2017 | Akana et al. | |

FOREIGN PATENT DOCUMENTS

| | | |
|----|-----------|---------|
| AU | 366856 | 1/2016 |
| JP | 1485391 S | 12/2013 |



| | | |
|----|---------------|---------|
| JP | 1563511 S | 3/2016 |
| JP | 1547736 | 4/2016 |
| JP | HJ2802750700 | 8/2016 |
| JP | 1561006 S | 10/2016 |
| JP | 1562100 S | 10/2016 |
| JP | 1573144 S | 4/2017 |
| JP | 1602027 S | 4/2018 |
| JP | 1628151 | 4/2019 |
| KR | 3006743410000 | 12/2012 |
| KR | 3008018220007 | 7/2015 |
| KR | 3008018220008 | 7/2015 |
| KR | 3008018220009 | 7/2015 |
| TW | D149031 | 9/2012 |
| TW | D185609 | 9/2012 |
| TW | D150033 | 11/2012 |
| TW | M443891 U | 12/2012 |
| TW | D152708 | 4/2013 |
| TW | D168347 | 6/2015 |
| TW | D169480 | 8/2015 |
| TW | D185980 | 10/2017 |

OTHER PUBLICATIONS

Examination Report for Canada Application No. 183505, dated Jul. 4, 2019 3 pages.

Examination Report for Canada Application No. 183507, dated Jul. 4, 2019 2 pages.

Notification from Japanese Patent Office for Application No. 2018-020359, dated Mar. 26, 2019.

Office Action for JP Design Application No. 2019003761, dated Aug. 20, 2019 4 pages (with English Translation).

ROC (Taiwan) Search Report for Design Patent Application No. 107305660 dated Aug. 29, 2019.

Sony, Digital Paper DPT-S1, p. 1, Apr. 28, 2016.

ROC Taiwan Office Action and Search Report for Application No. 108304974 dated Nov. 28, 2019.

ROC Taiwan Office Action and Search Report for Application No. 108304975 dated Nov. 27, 2019.

ROC Taiwan Office Action and Search Report for Application No. 108304976 dated Nov. 27, 2019.

Chrome Unboxed. "Pixelbook Pen Loop Installation." Feb. 15, 2018. YouTube Video. Can be viewed online at: <<https://www.youtube.com/watch?v=if0rDBYKgw>>.

Design Examination Report No. 1 for Australian Design Patent Application No. 201815555 dated Feb. 27, 2019. 13 pages.

Google Image Search for "Stylus Holder Loop" conducted by the Australian Patent Examiner in Design Examination Report No. 1 dated Feb. 27, 2019 for AU design patent application No. 201815555. 1 page.

Lora, Krystal. "Google Pixel Slate Unboxing!" Nov. 27, 2018. YouTube Video. Can be viewed online at: <<https://www.youtube.com/watch?v=JkTpexyCZ0c>>.

Whitwam, Ryan. "Pixelbook." Jan. 18, 2018. 1 page. Retrieved from the Internet: <<https://www.androidpolice.com/2018/01/18/google-offering-free-pen-loop-anyone-bought-pixelbook/>>.

Ødegård, Andreas. "Add a stylus holder to your tablet for \$2." Feb. 19, 2011 1 page. Retrieved from the Internet: <<https://www.pocketables.com/2011/02/add-a-stylus-holder-to-your-tablet-for-2.html>>.

Ødegård, Andreas. "From the DIY drawer: Accessory attachment system for cases [Video]." Mar. 13, 2013. 1 page. Retrieved from the Internet: <<https://www.pocketables.com/2013/03/from-the-diy-drawer-accessory-attachment-system-for-cases.html>>.

Taiwanese Office Action for Application No. 107305659 dated Sep. 27, 2019.

Taiwanese Office Action and Search Report for Application No. 107305658 dated Sep. 27, 2019.

* cited by examiner

Primary Examiner — Cynthia R Underwood

(74) *Attorney, Agent, or Firm* — Botos Churchill IP Law

(57) CLAIM

The ornamental design for an adjustable folio, as shown and described.

DESCRIPTION

The present application is related to U.S. Design patent application Ser. No. 29/649,419, entitled Convertible Laptop Computer, and to U.S. Design patent application Ser. No. 29/649,425, entitled Stylus Loop, both filed concurrently herewith, the entire disclosures of which are incorporated herein by reference.

FIG. 1 is a top perspective view of the adjustable folio according to a first embodiment of our design in a closed configuration in a first state of use;

FIG. 2 is a front elevation view thereof;

FIG. 3 is a rear elevation view thereof;

FIG. 4 is a right side elevation view thereof;

FIG. 5 is a left side elevation view thereof;

FIG. 6 is a top elevation view thereof;

FIG. 7 is a bottom elevation view thereof;

FIG. 8 is a top perspective view of the adjustable folio according to a second embodiment of our design in the first closed configuration in the first state of use;

FIG. 9 is a front elevation view thereof;

FIG. 10 is a rear elevation view thereof;

FIG. 11 is a right side elevation view thereof;

FIG. 12 is a left side elevation view thereof;

FIG. 13 is a top elevation view thereof;

FIG. 14 is a bottom elevation view thereof;

FIG. 15 is a top perspective view of the adjustable folio according to our design in a second state of use;

FIG. 16 is a front elevation view thereof;

FIG. 17 is a rear elevation view thereof;

FIG. 18 is a right side elevation view thereof;

FIG. 19 is a left side elevation view thereof;

FIG. 20 is a top elevation view thereof;

FIG. 21 is a bottom elevation view thereof;

FIG. 22 is a top perspective view of the adjustable folio according to our design in a third state of use;

FIG. 23 is a front elevation view thereof;

FIG. 24 is a rear elevation view thereof;

FIG. 25 is a right side elevation view thereof;

FIG. 26 is a left side elevation view thereof;

FIG. 27 is a top elevation view thereof;

FIG. 28 is a bottom elevation view thereof;

FIG. 29 is a top perspective view of the adjustable folio according to our design in a fourth state of use;

FIG. 30 is a front elevation view thereof;

FIG. 31 is a rear elevation view thereof;

FIG. 32 is a right side elevation view thereof;

FIG. 33 is a left side elevation view thereof;

FIG. 34 is a top elevation view thereof;

FIG. 35 is a bottom elevation view thereof;

FIG. 36 is a top perspective view of the adjustable folio according to our design in a fifth state of use;

FIG. 37 is a front elevation view thereof;

FIG. 38 is a top perspective view of the adjustable folio according to our design in a sixth state of use;

FIG. 39 is a front elevation view thereof;

FIG. 40 is a top perspective view of the adjustable folio according to our design in a seventh state of use;

FIG. 41 is a front elevation view thereof;

FIG. 42 is a top perspective view of the adjustable folio according our design in an eighth state of use;
FIG. 43 is a front elevation view thereof;
FIG. 44 is a top perspective view of the adjustable folio according to our design in a ninth statue of use;
FIG. 45 is a front elevation view thereof;
FIG. 46 is a top perspective view of the adjustable folio according to our design in a tenth state of use;
FIG. 47 is a front elevation view thereof;
FIG. 48 is a rear elevation view thereof;
FIG. 49 is a right side elevation view thereof;
FIG. 50 is a left side elevation view thereof;
FIG. 51 is a top elevation view thereof; and,
FIG. 52 is a bottom elevation view thereof.
Broken lines are environmental only and form no part of the claimed design.

1 Claim, 42 Drawing Sheets

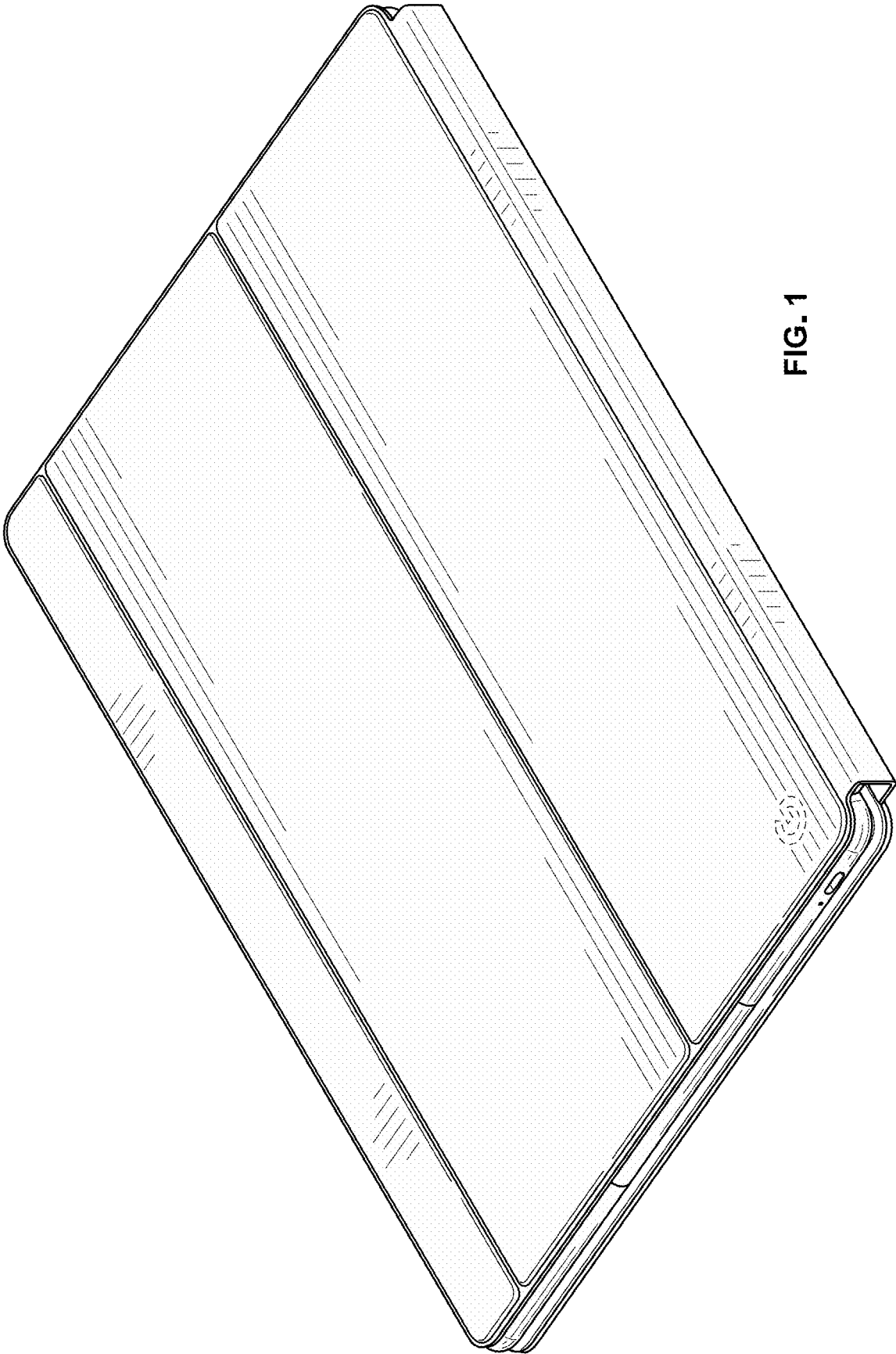


FIG. 1

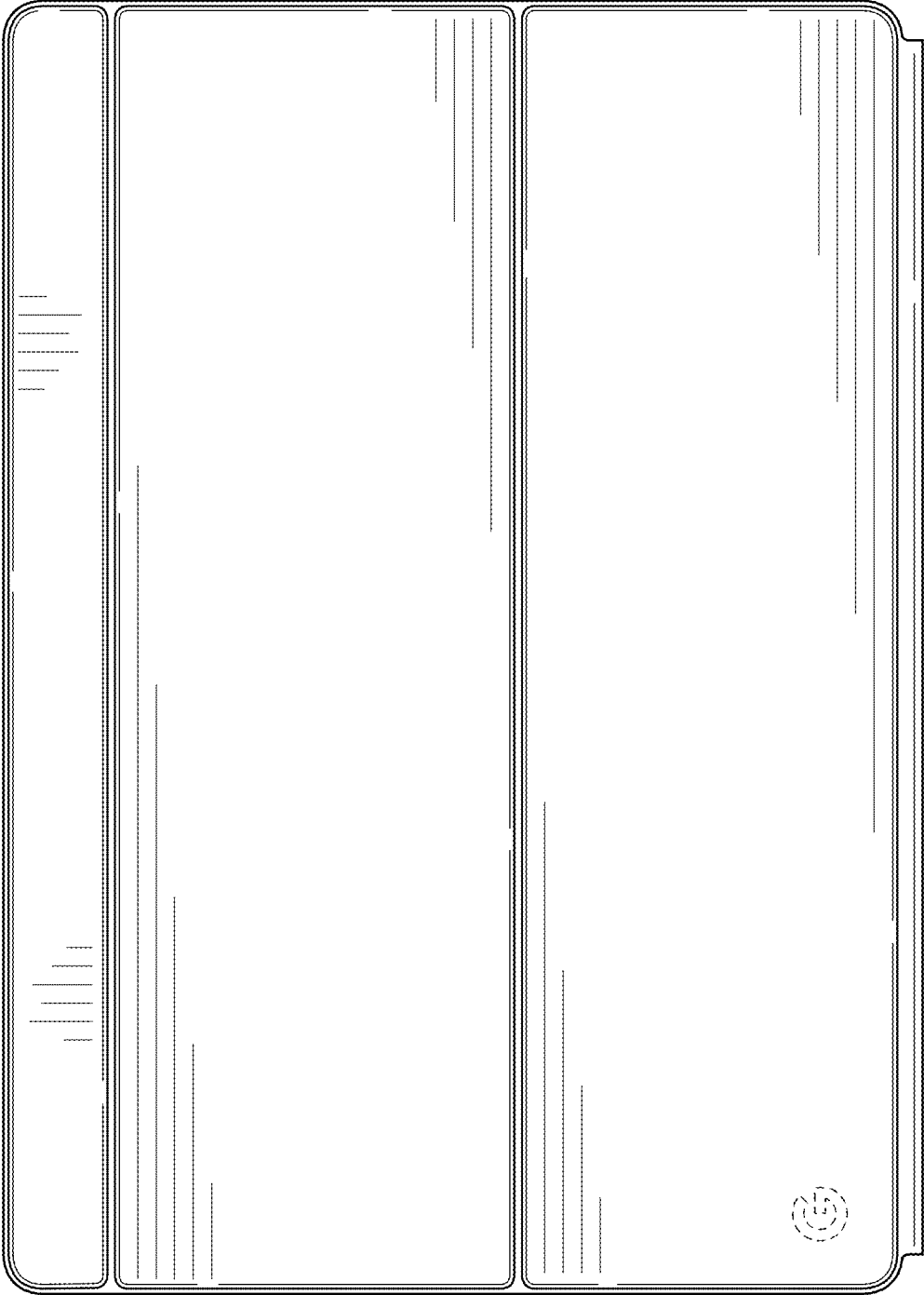


FIG. 2

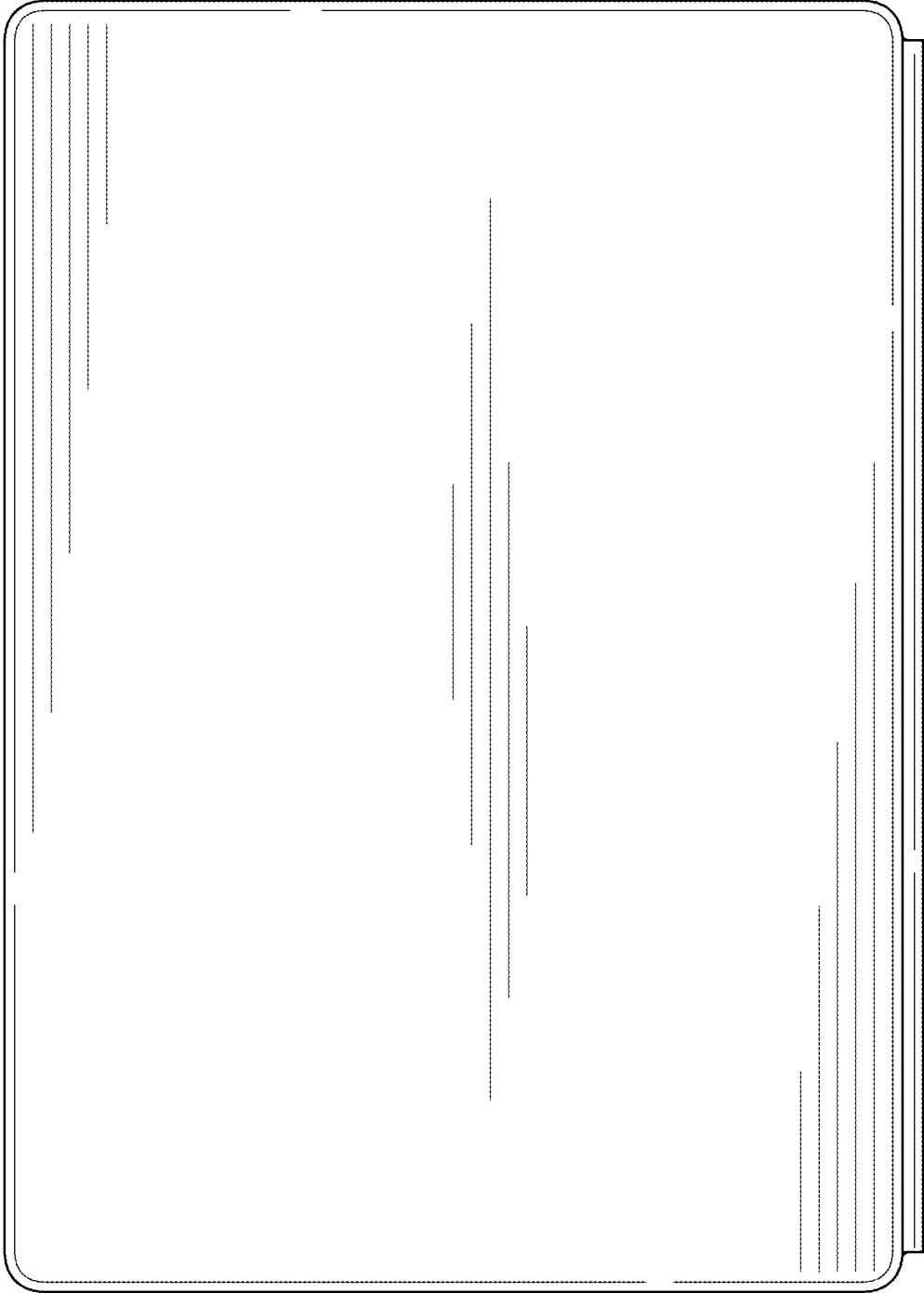


FIG. 3



FIG. 5

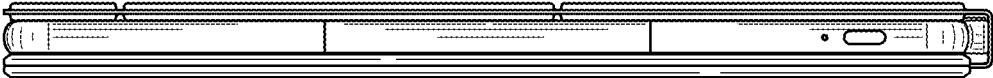


FIG. 4

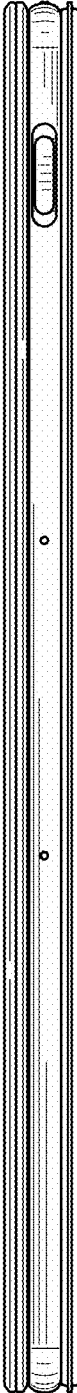


FIG. 6

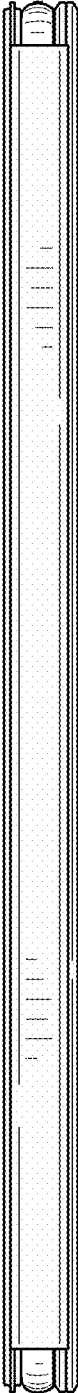


FIG. 7

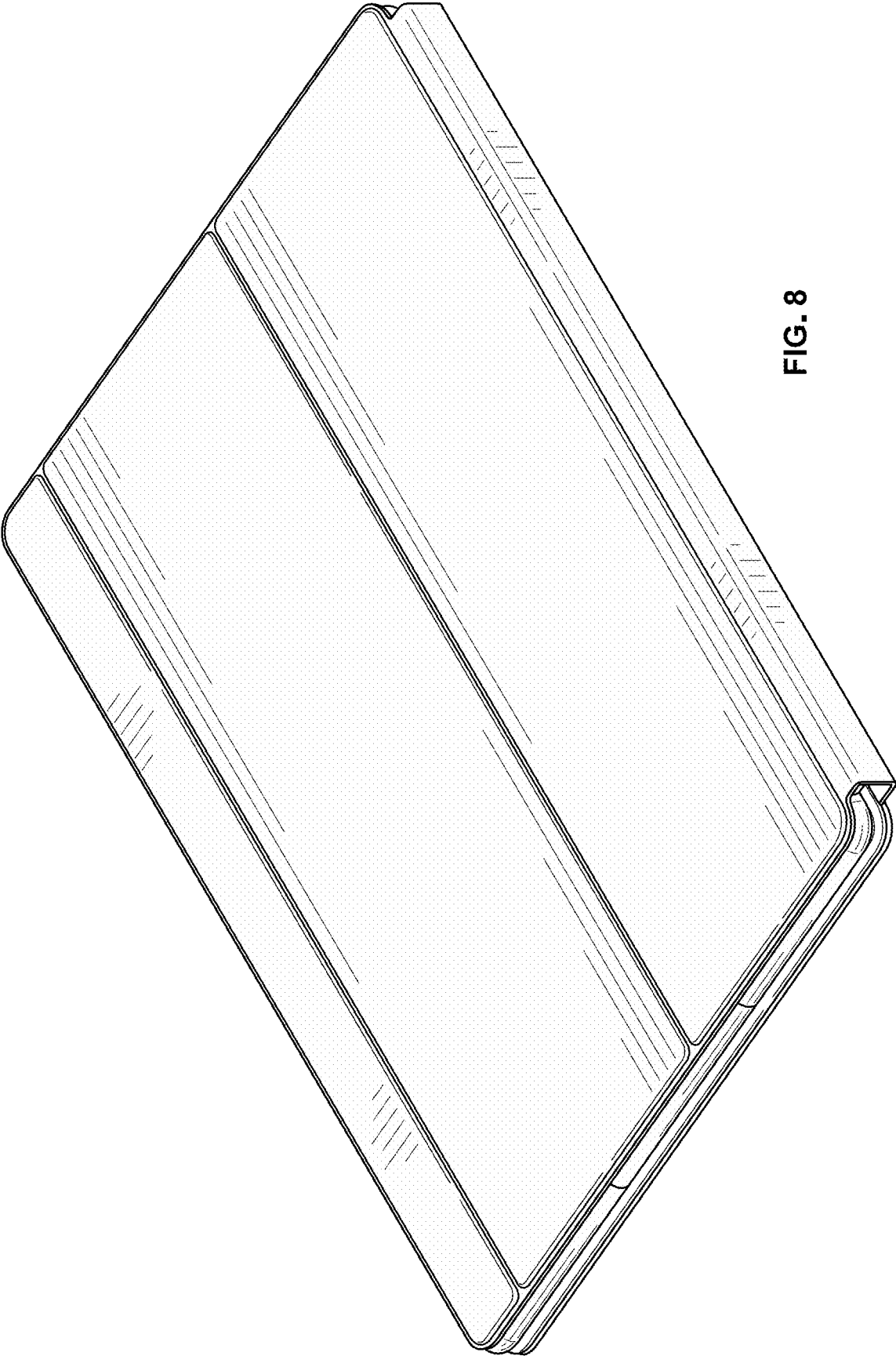


FIG. 8

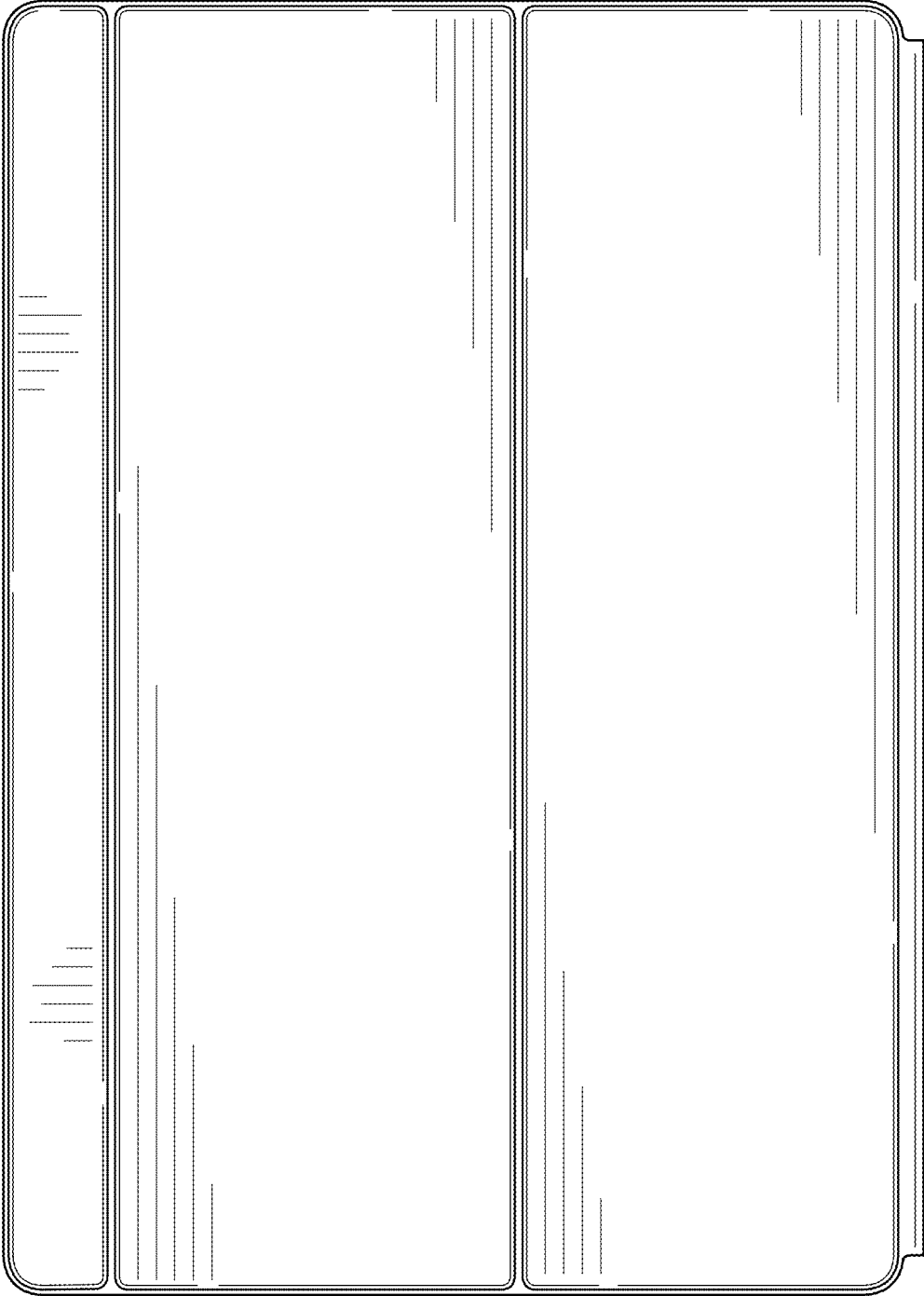


FIG. 9

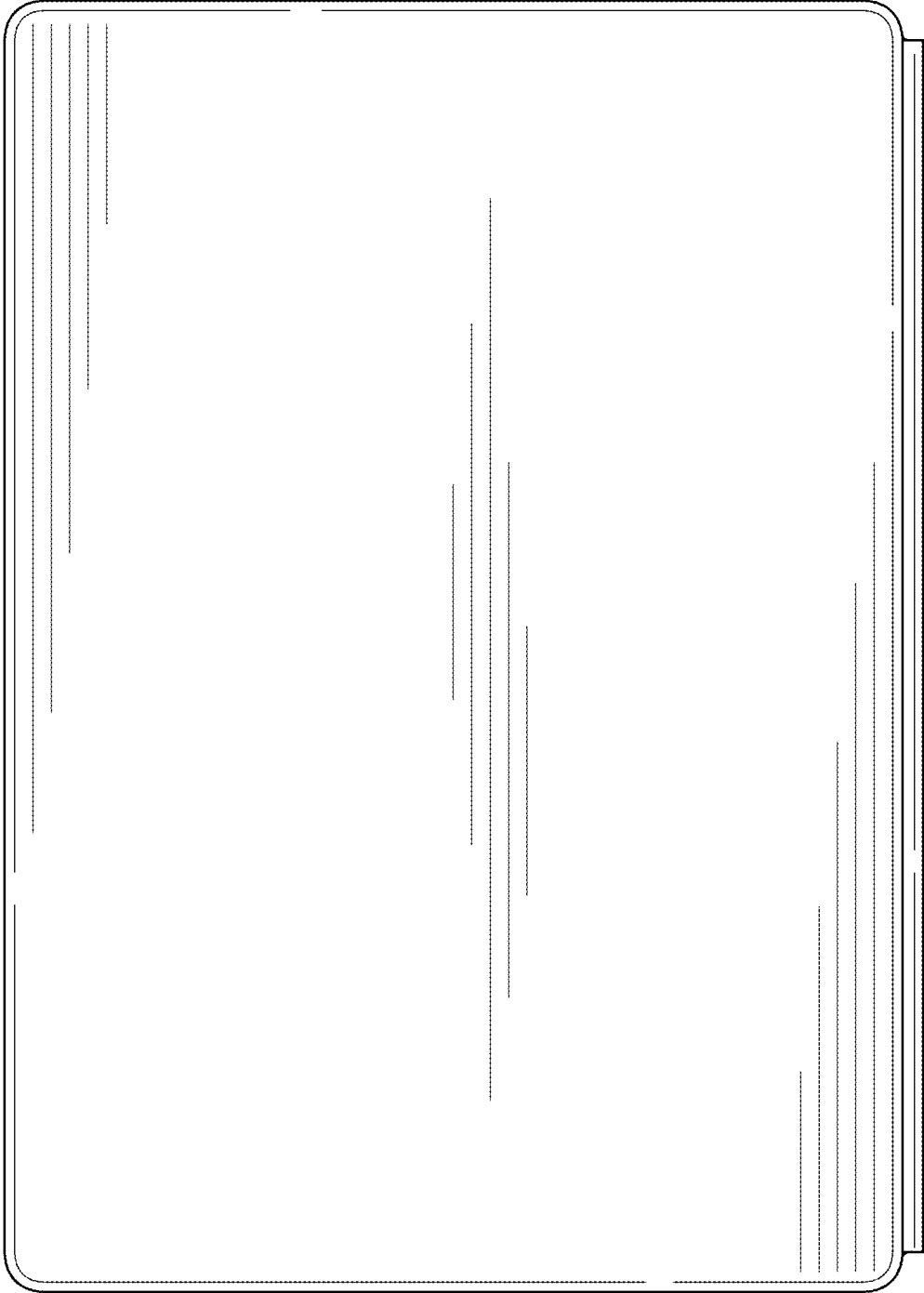


FIG. 10



FIG. 12



FIG. 11

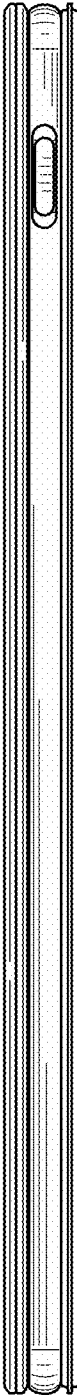


FIG. 13

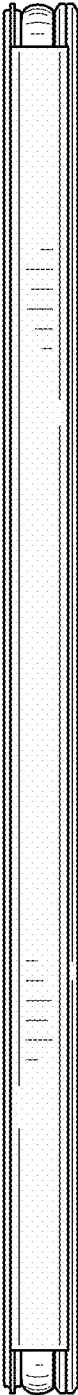


FIG. 14

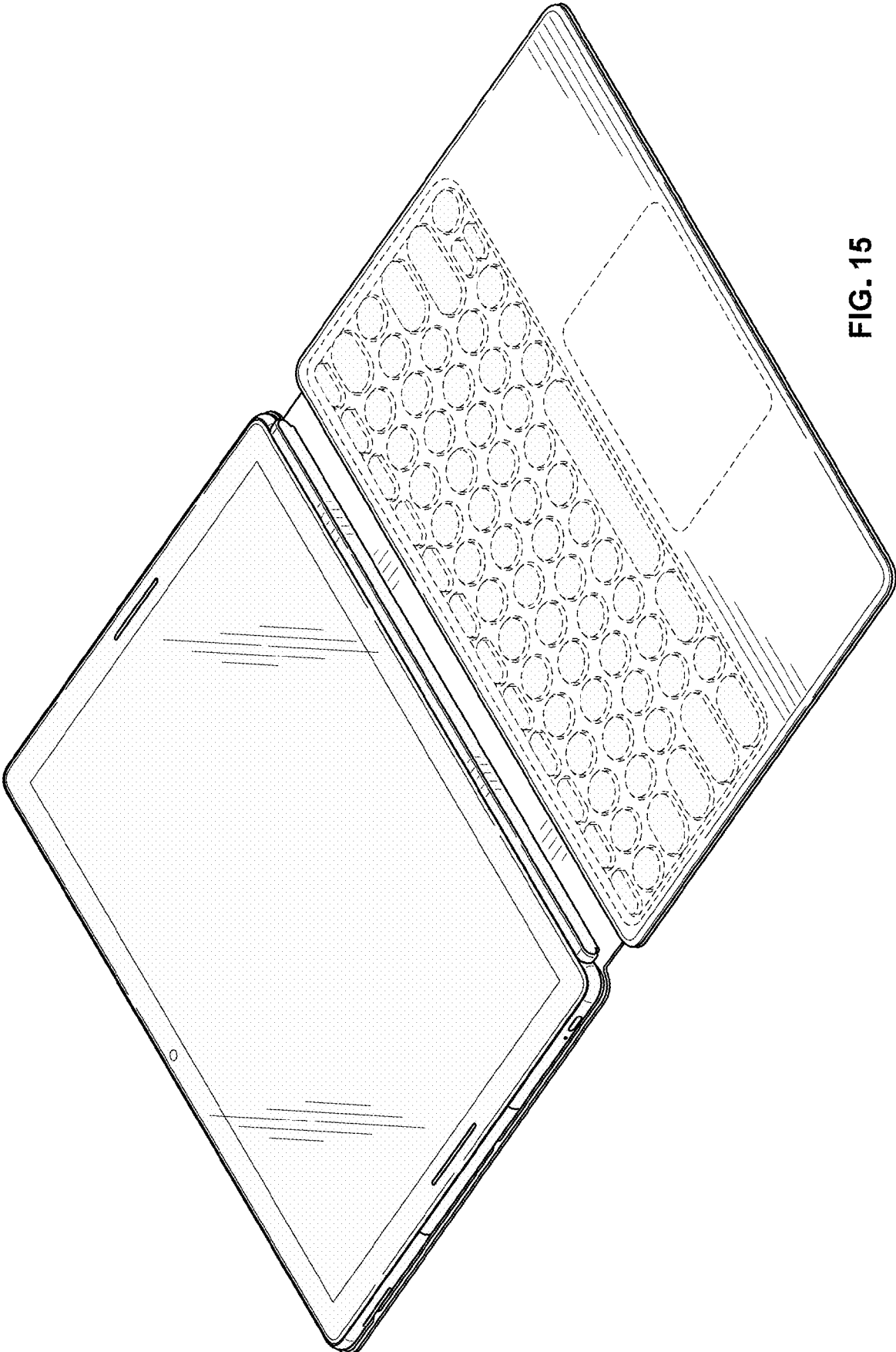


FIG. 15

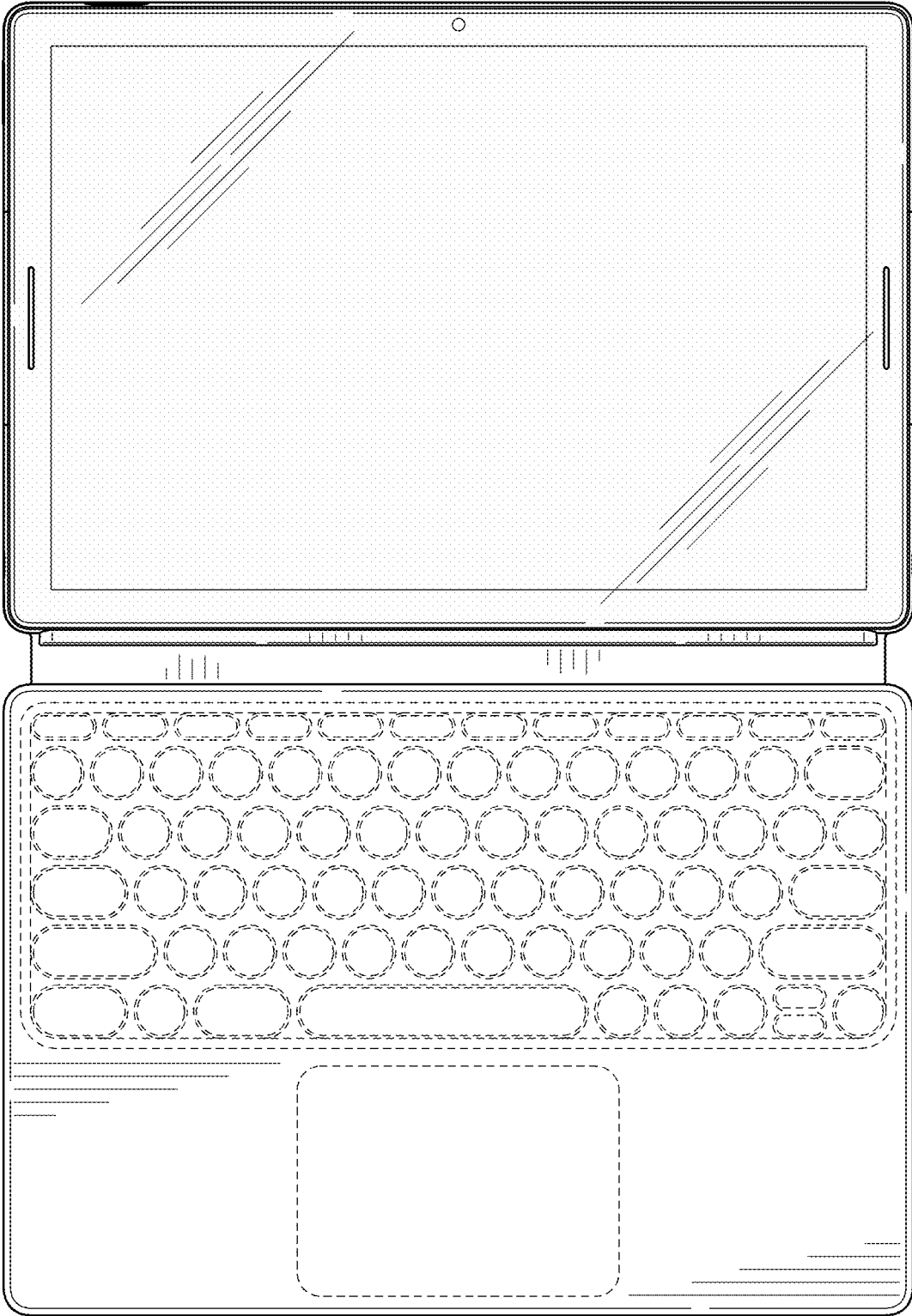


FIG. 16

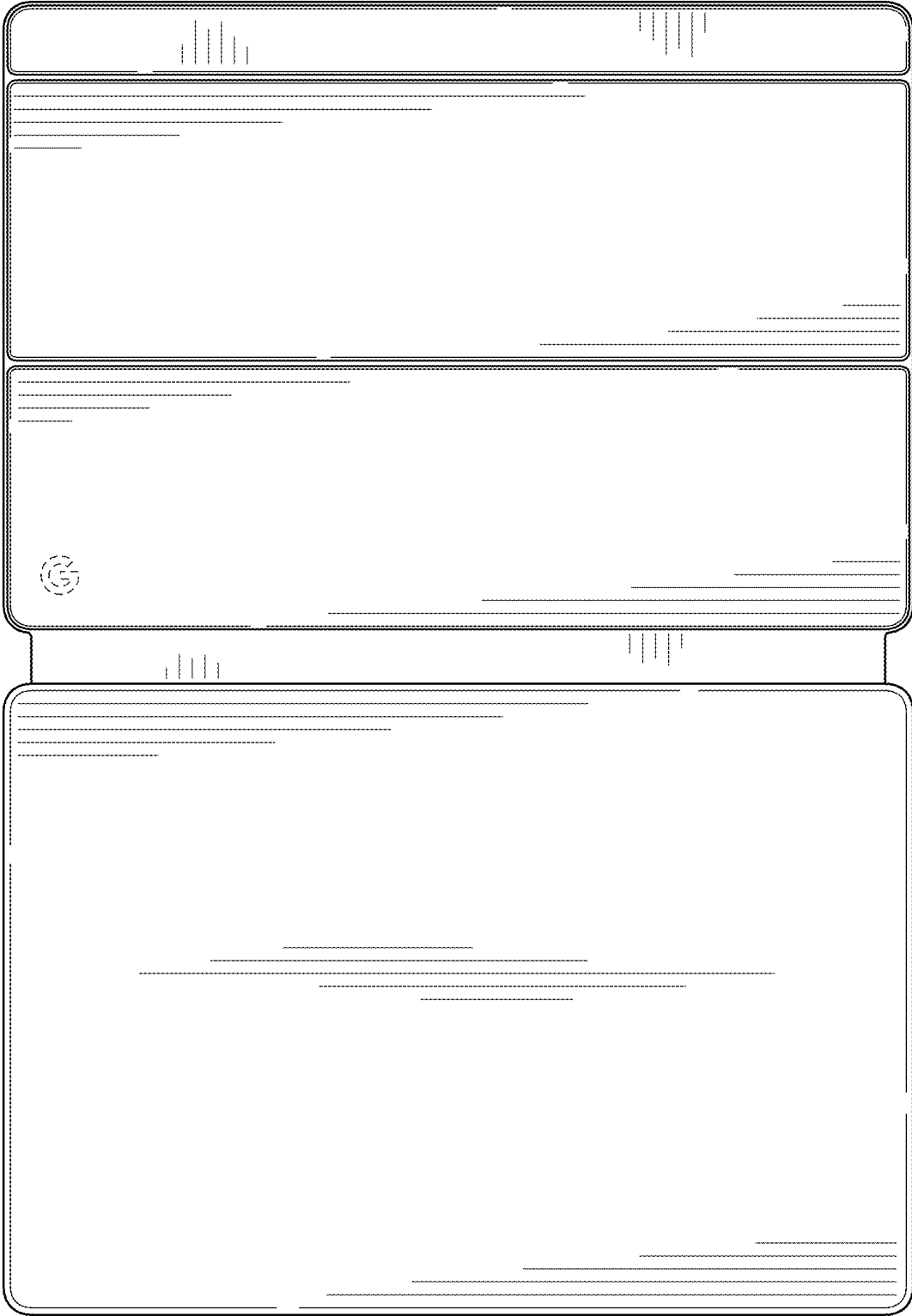


FIG. 17

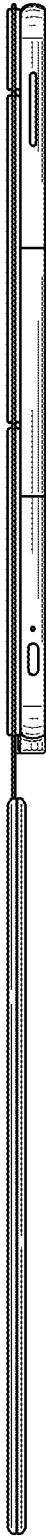


FIG. 18

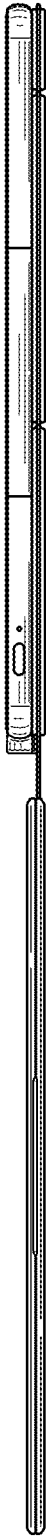


FIG. 19



FIG. 20



FIG. 21

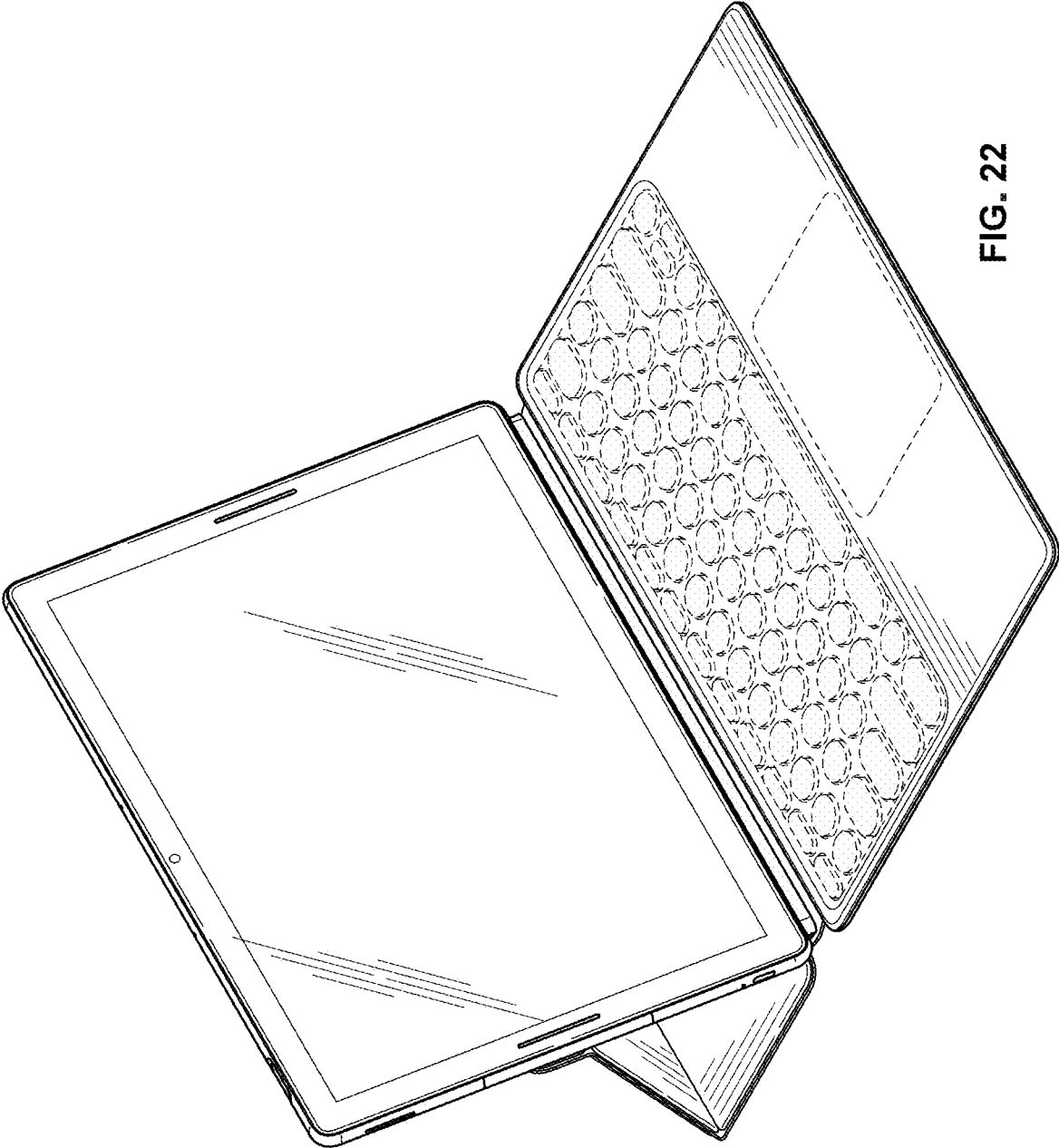


FIG. 22

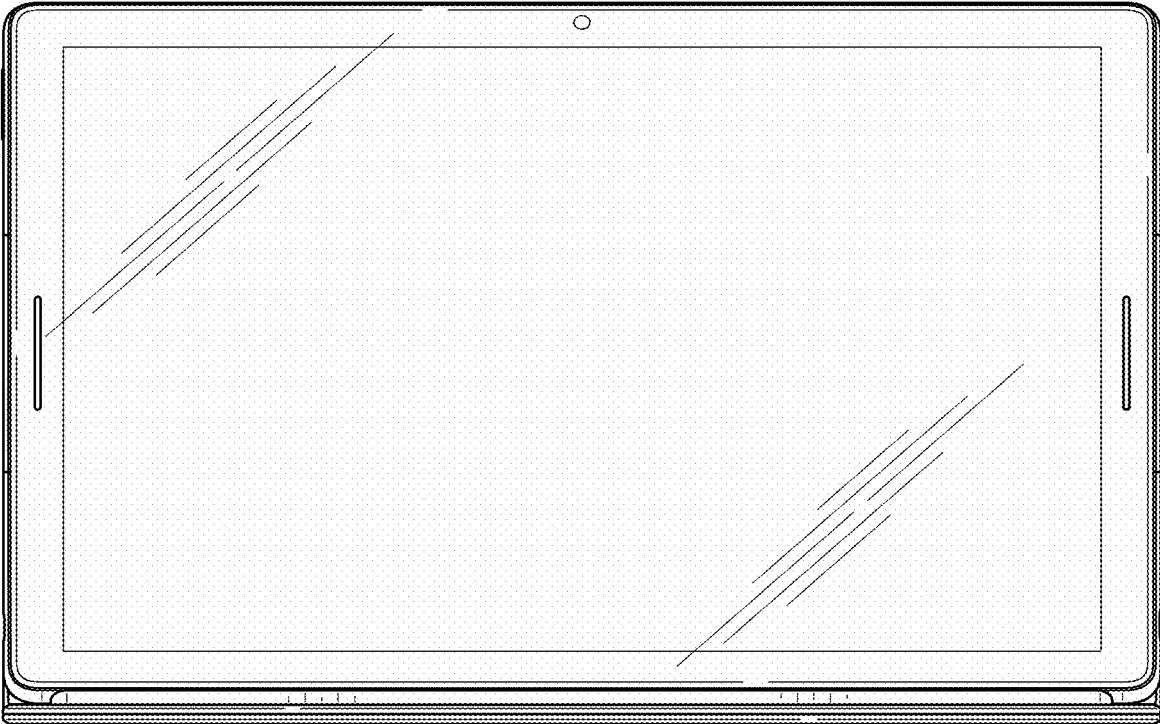


FIG. 23

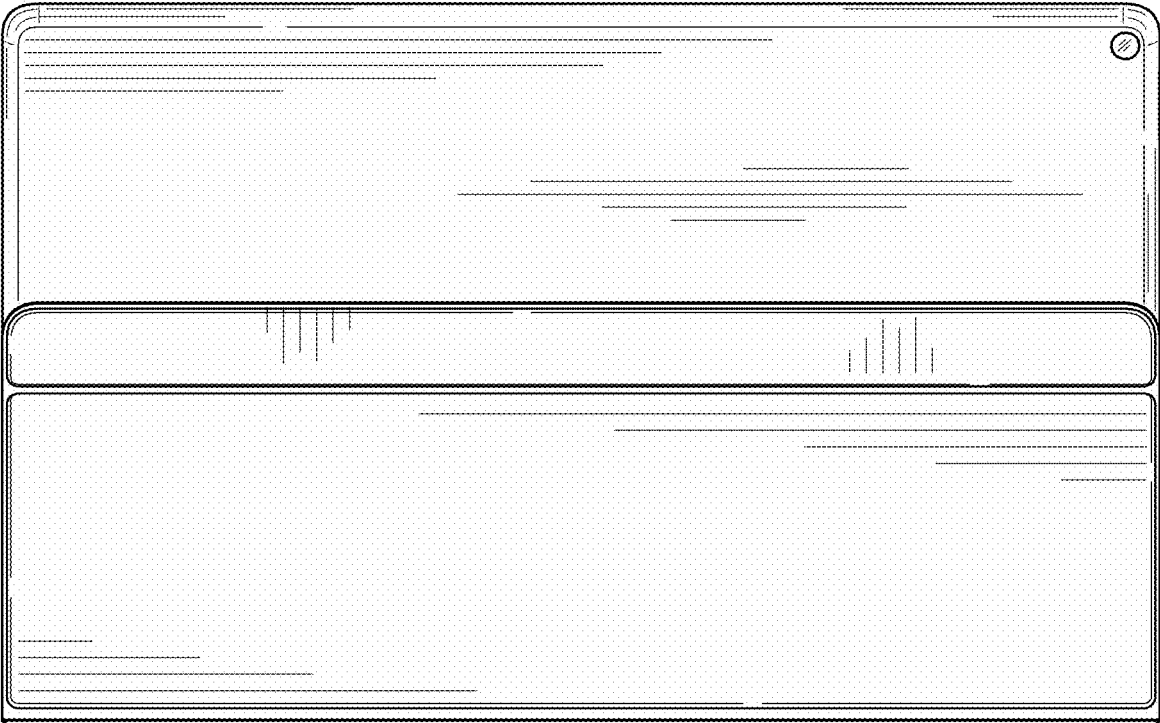


FIG. 24

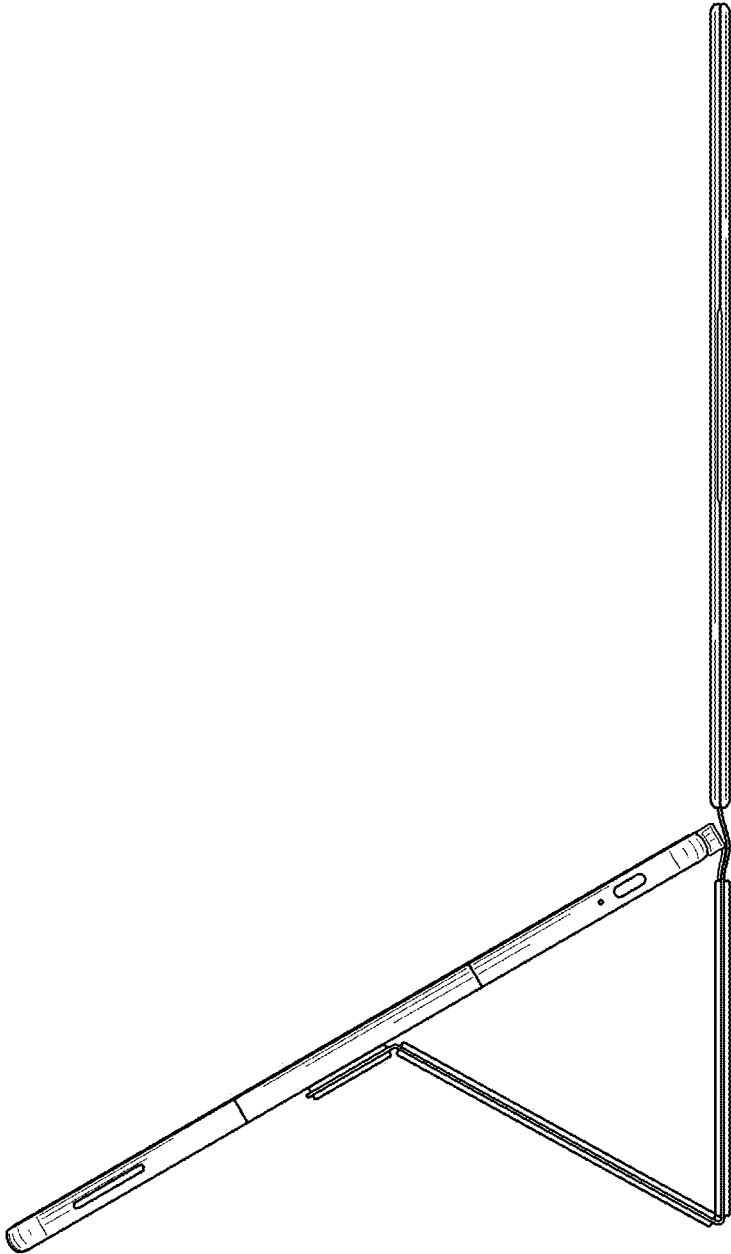


FIG. 25

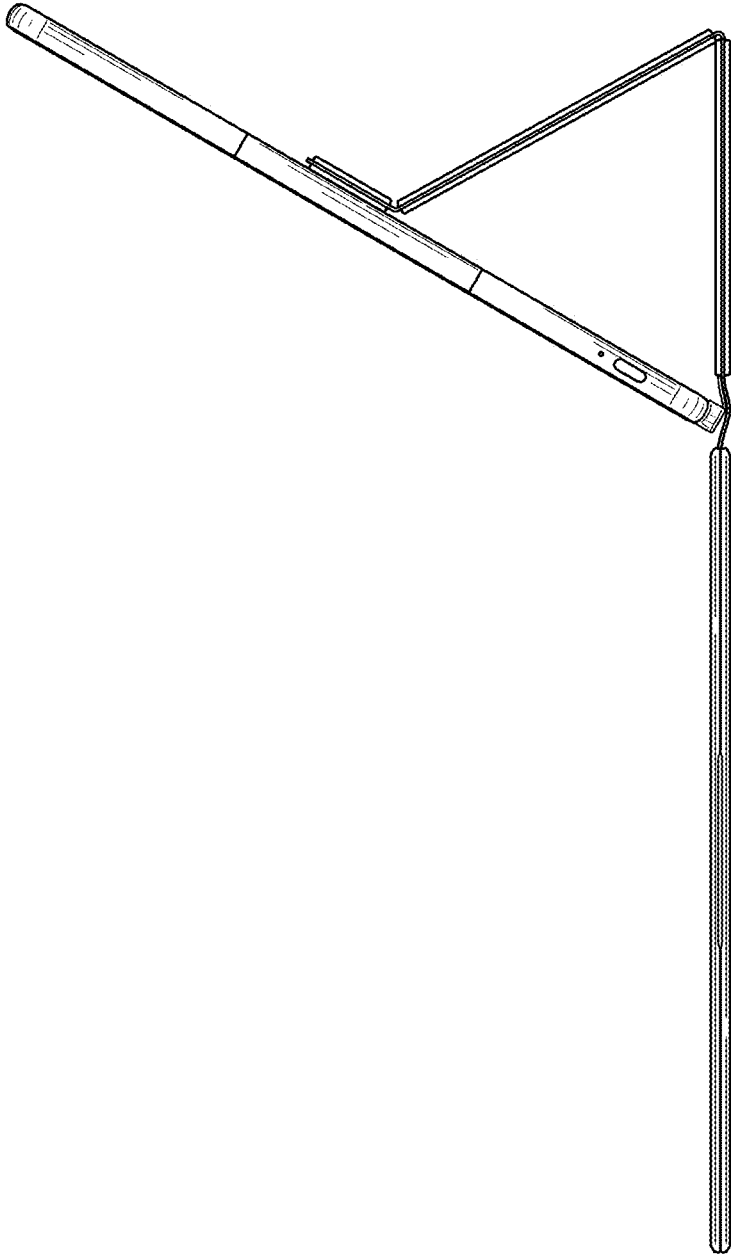


FIG. 26

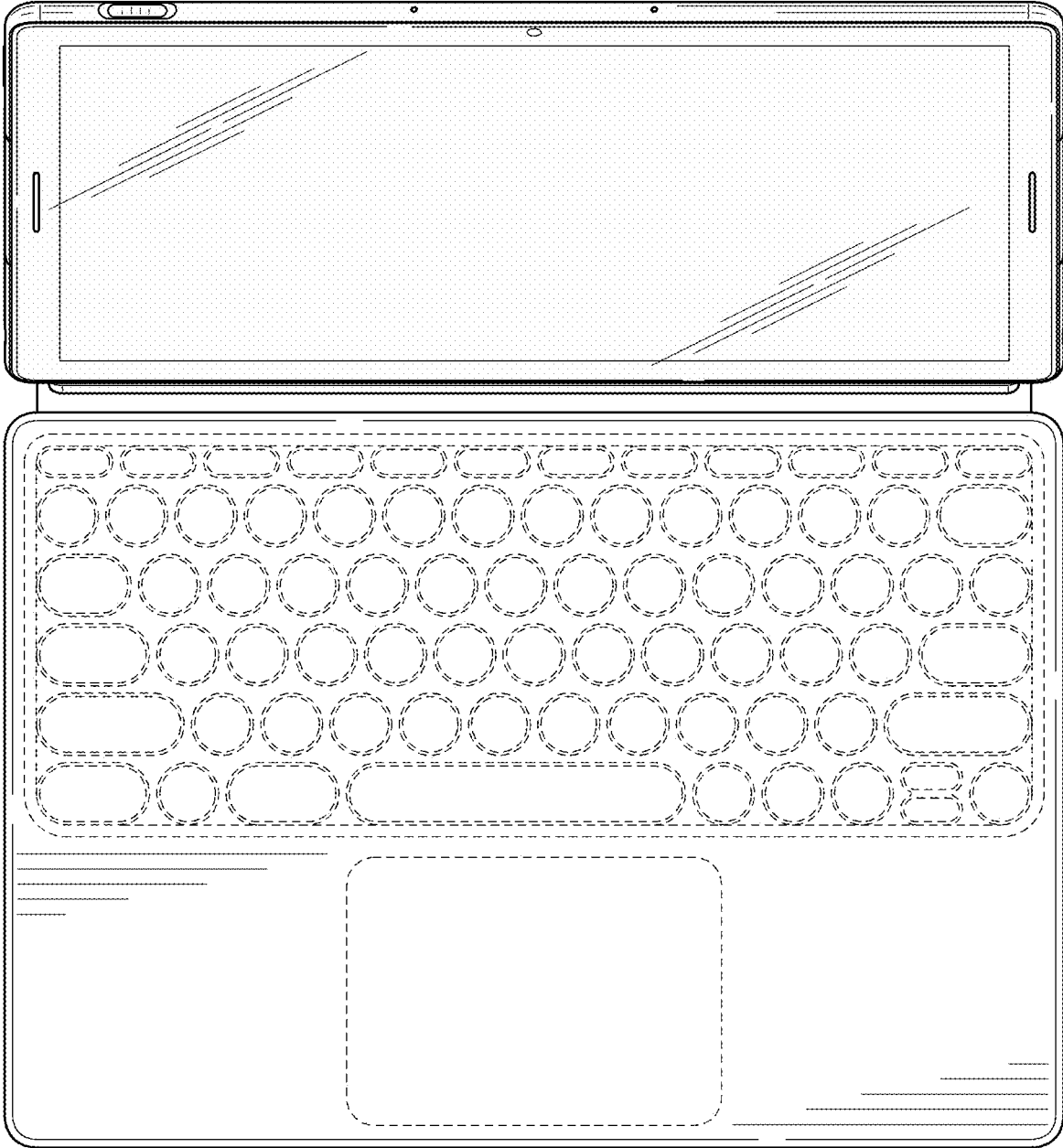


FIG. 27

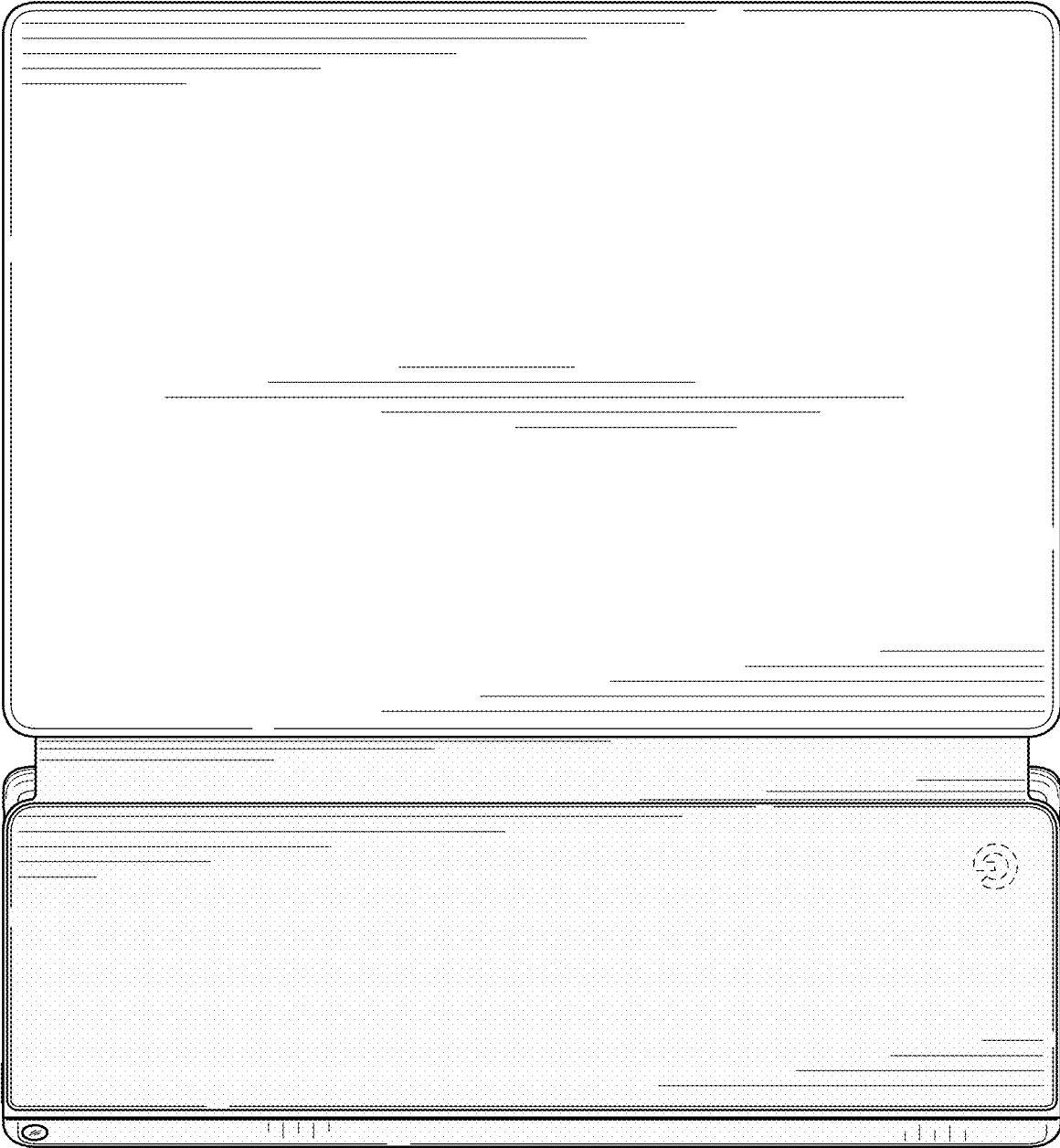


FIG. 28

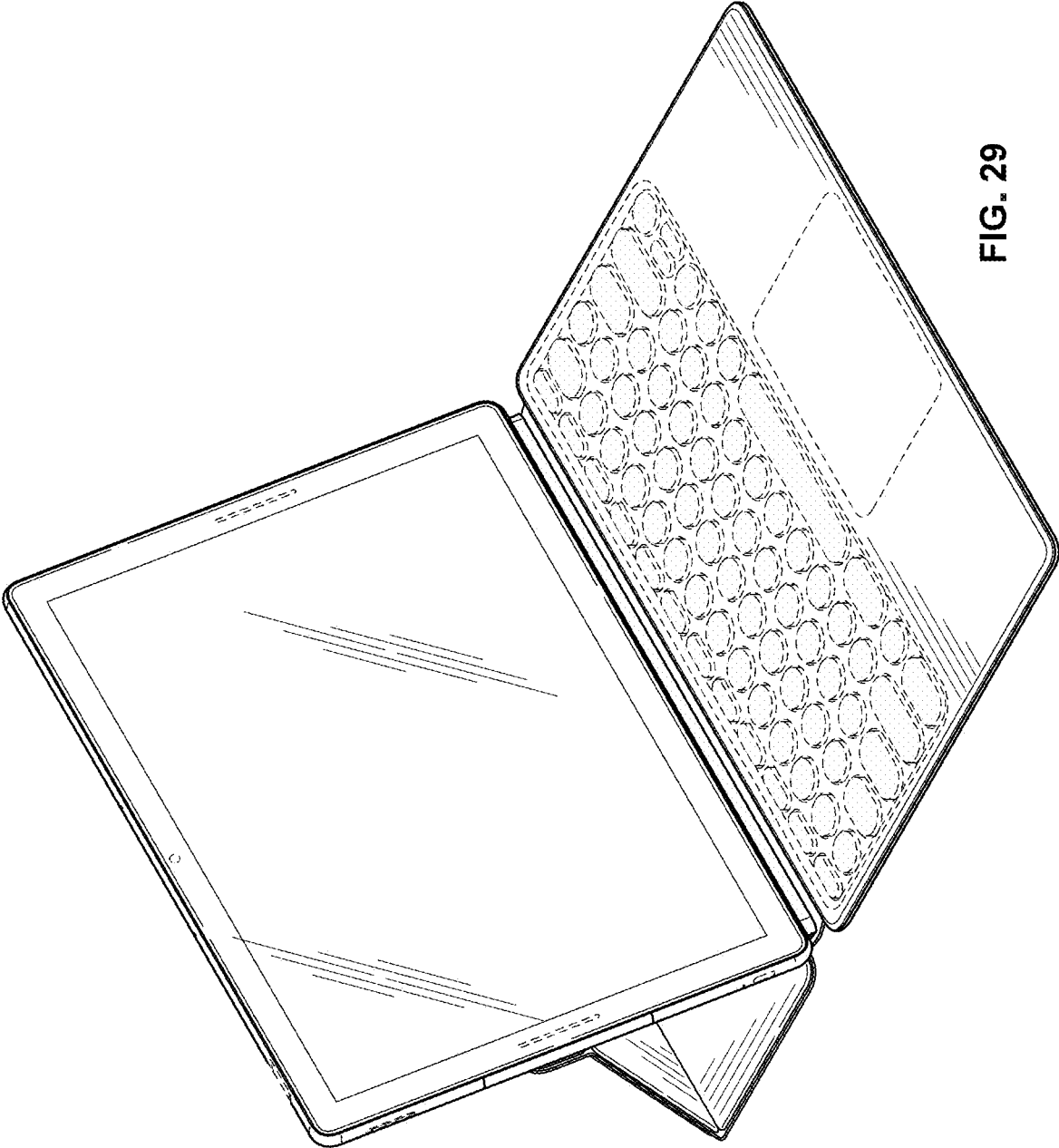


FIG. 29

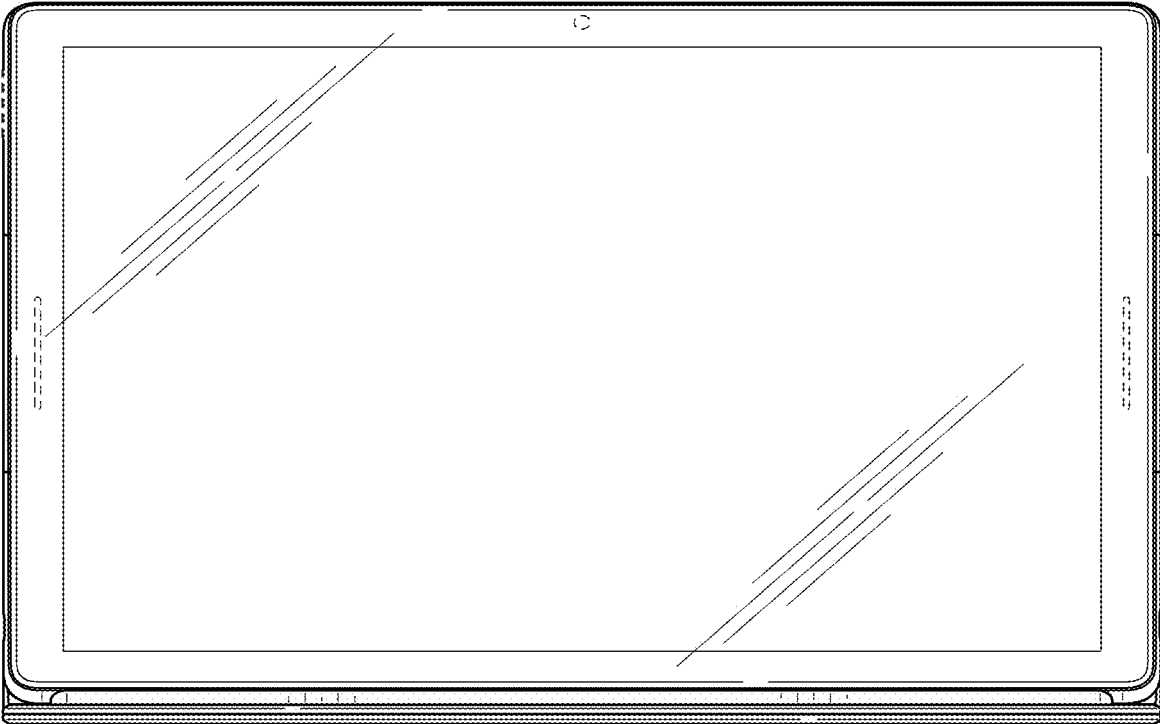


FIG. 30

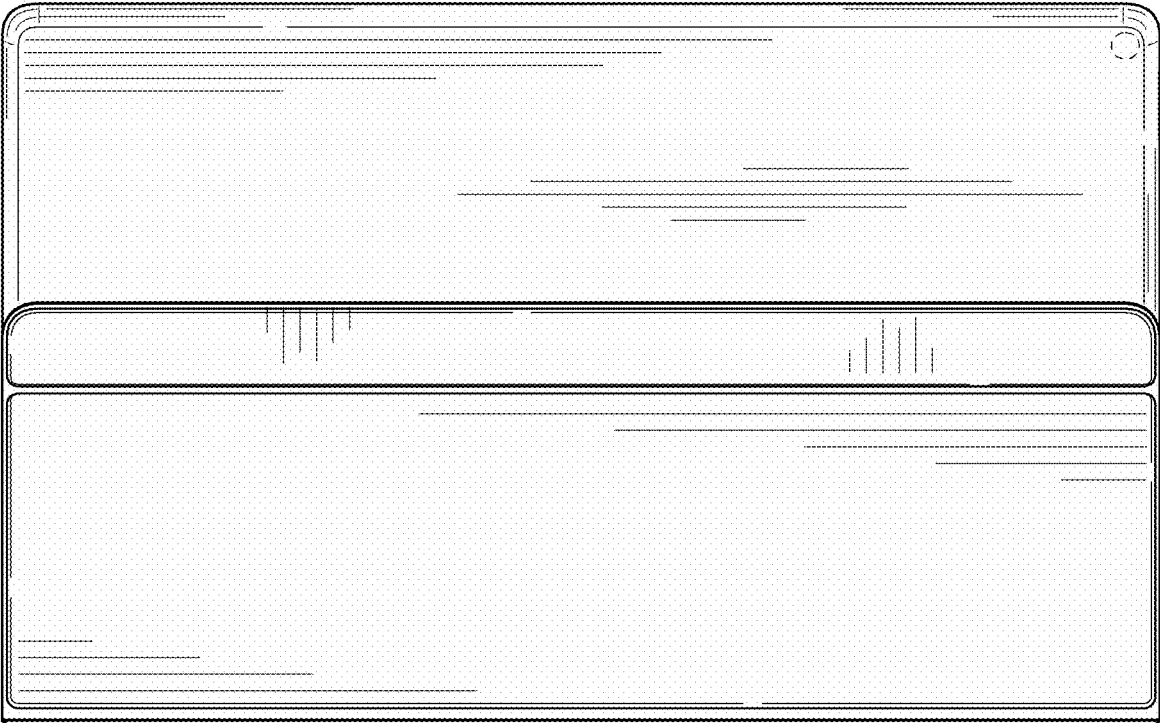


FIG. 31

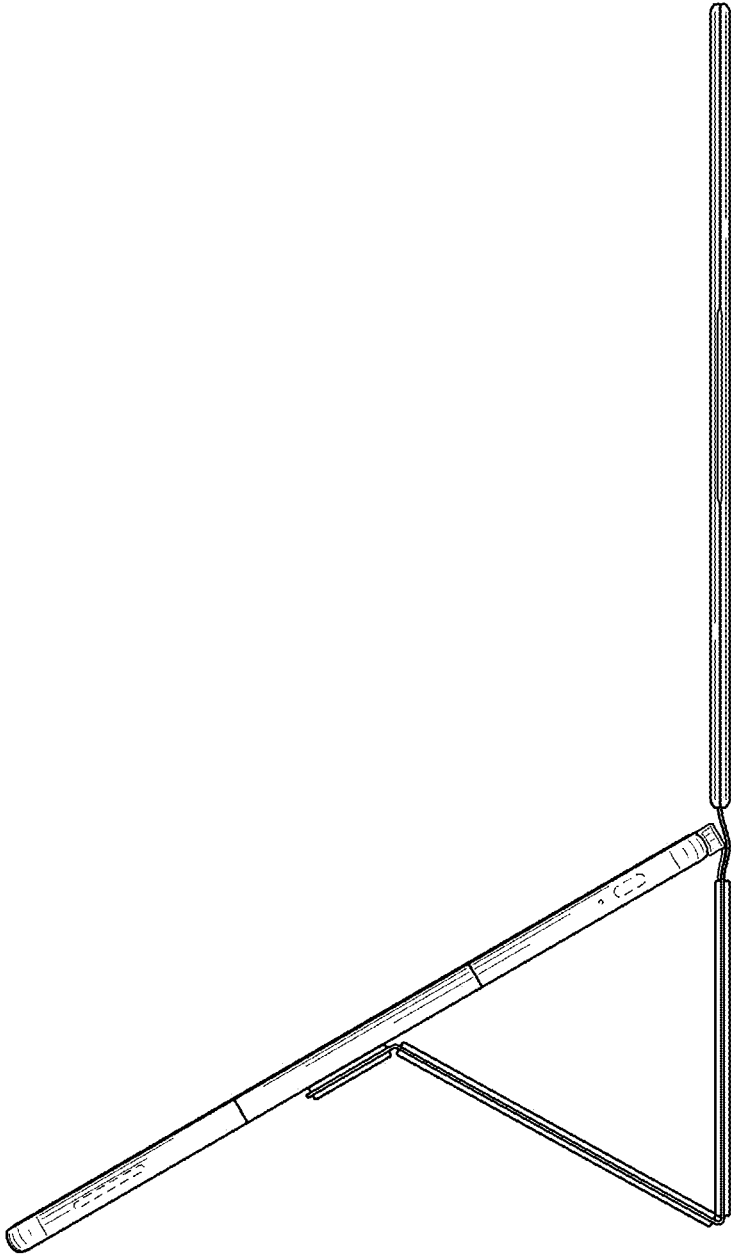


FIG. 32

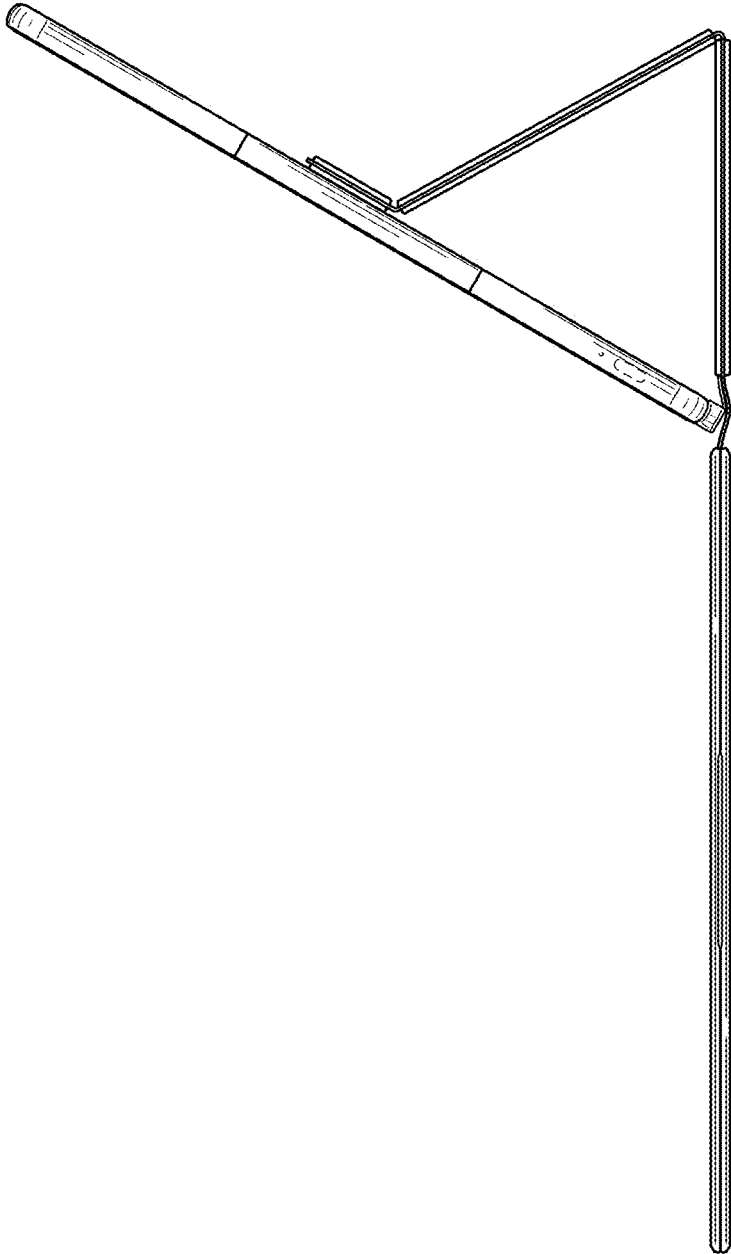


FIG. 33

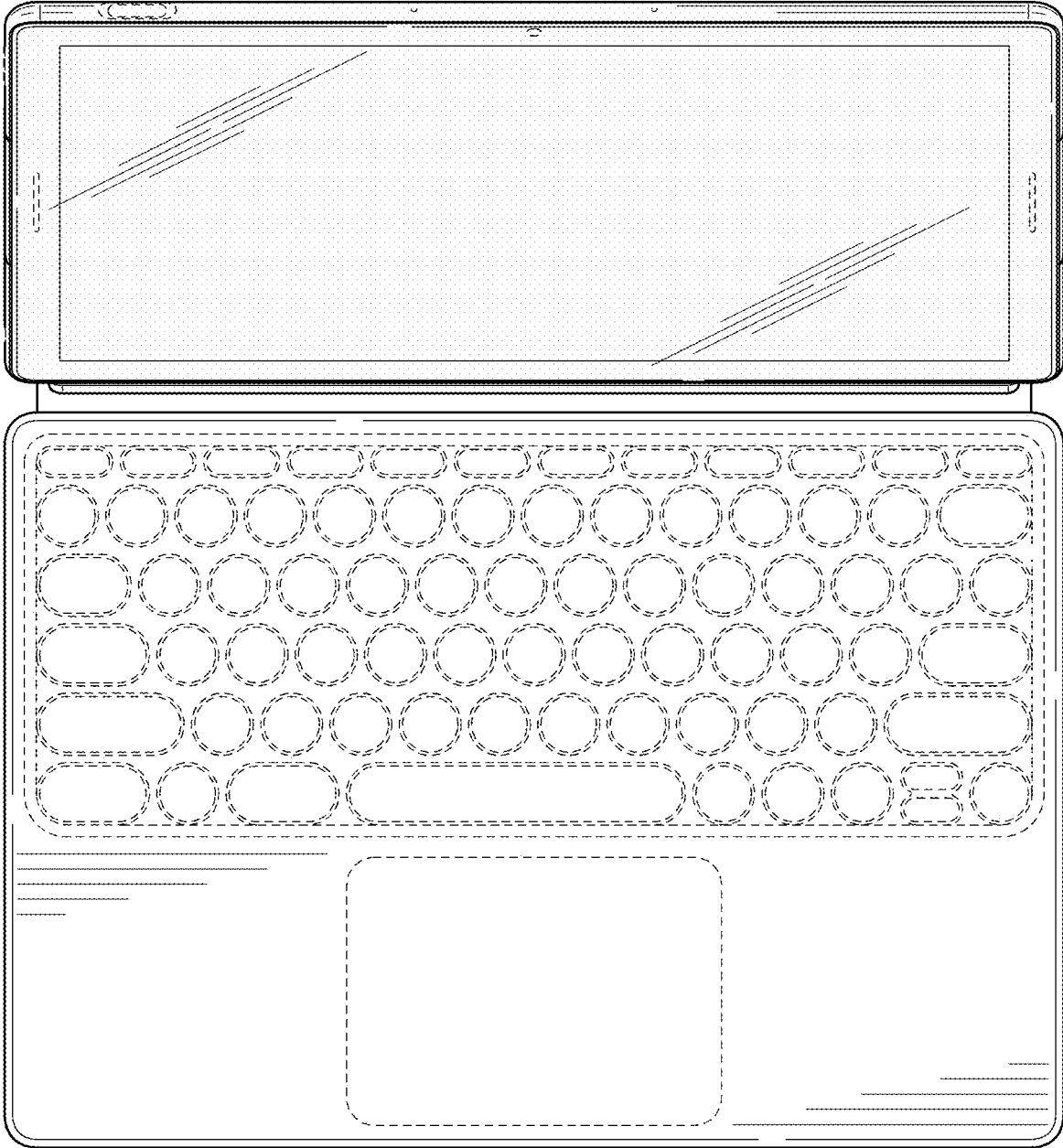


FIG. 34

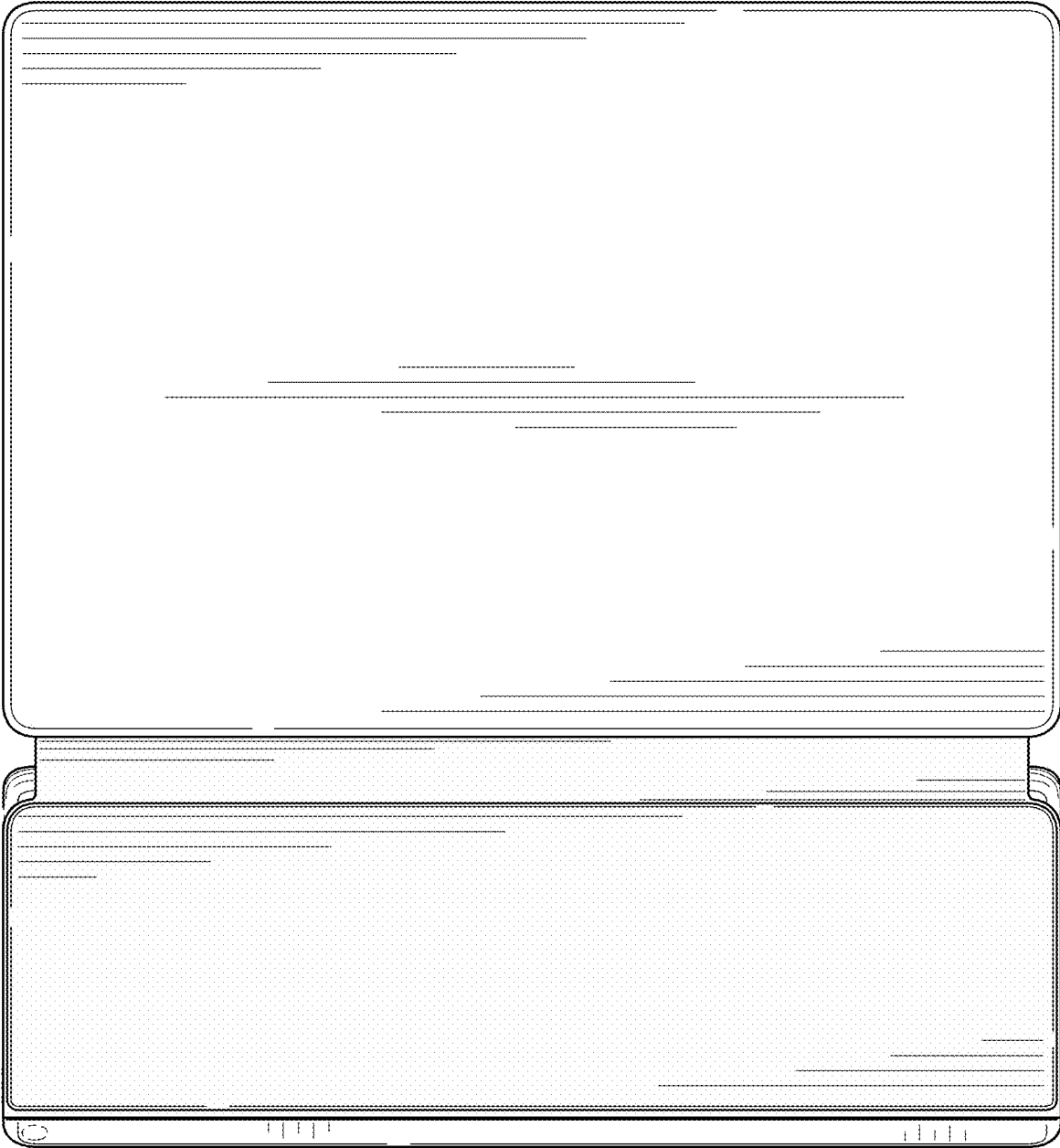


FIG. 35

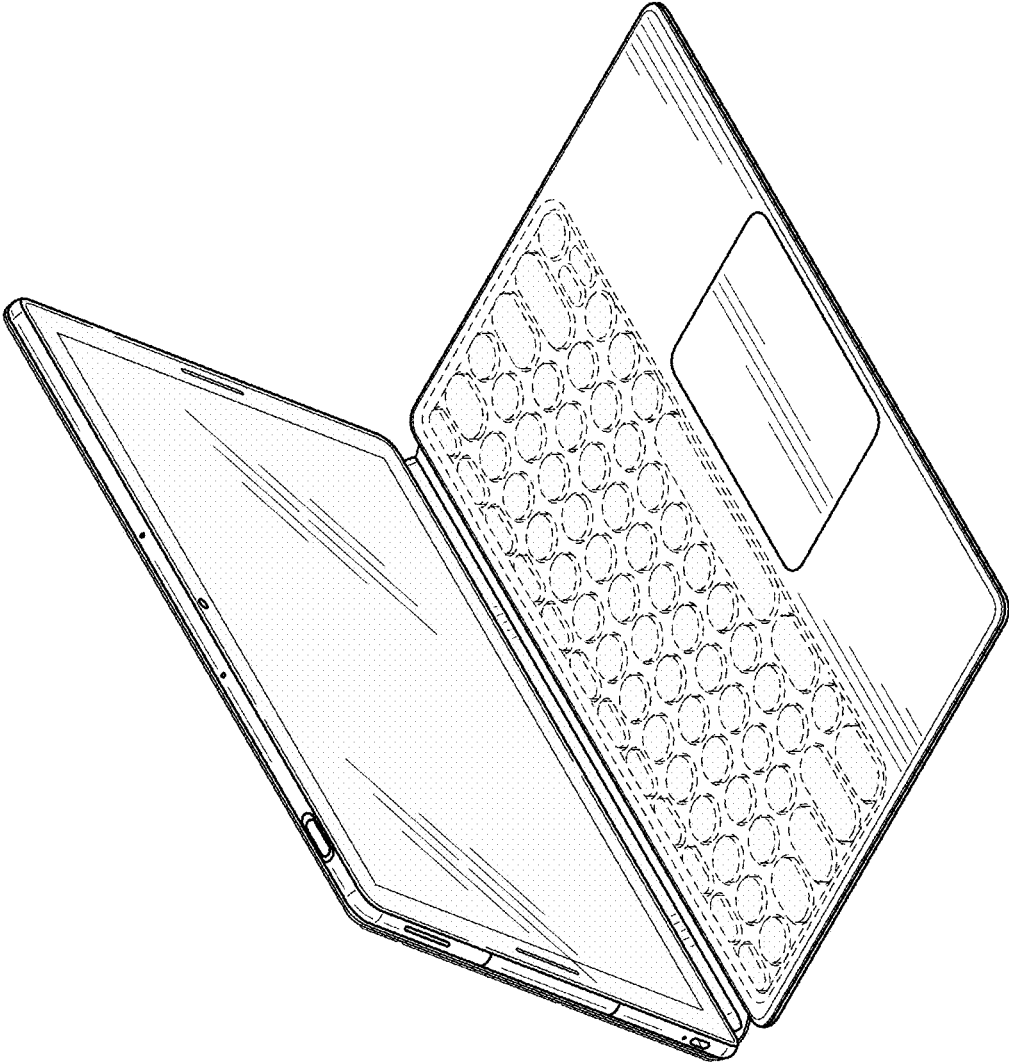


FIG. 36

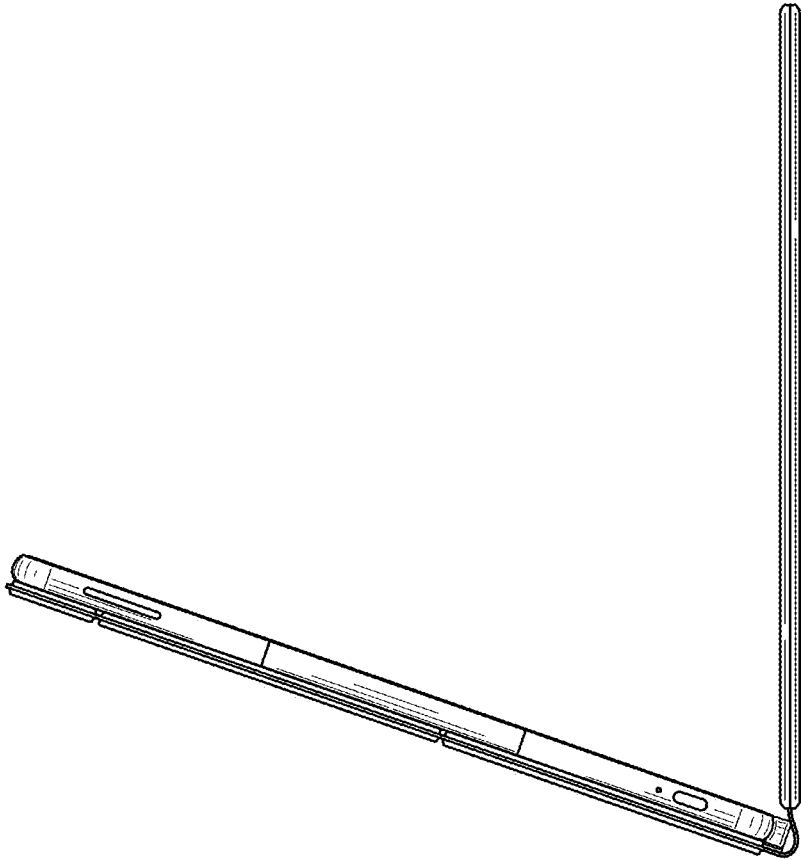


FIG. 37

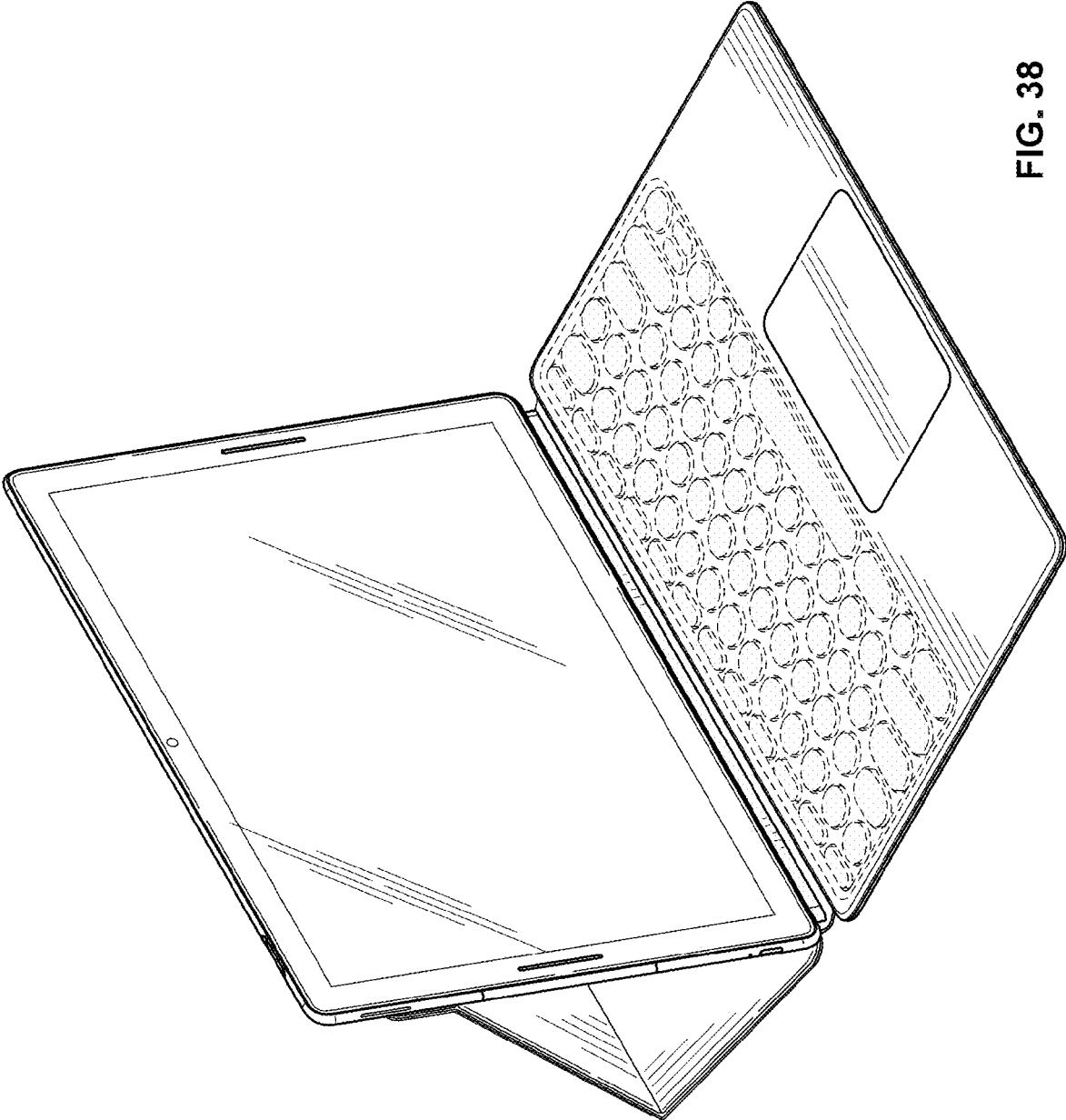


FIG. 38

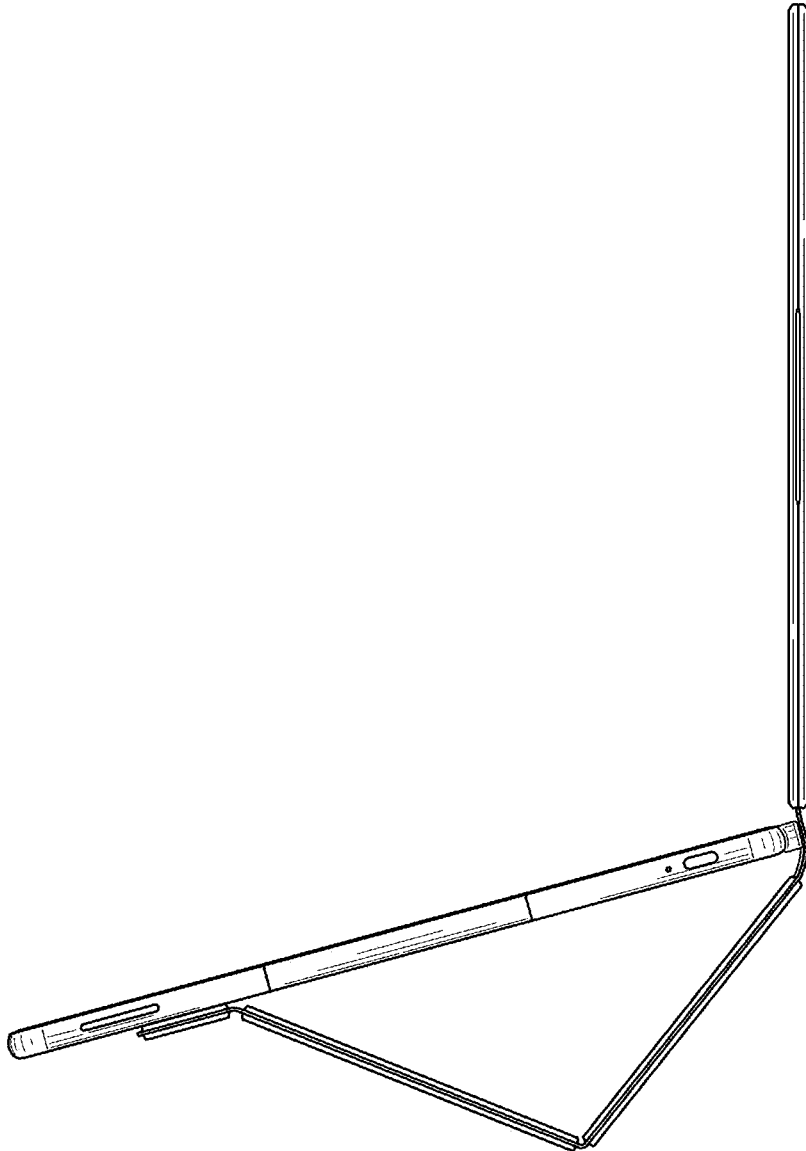


FIG. 39

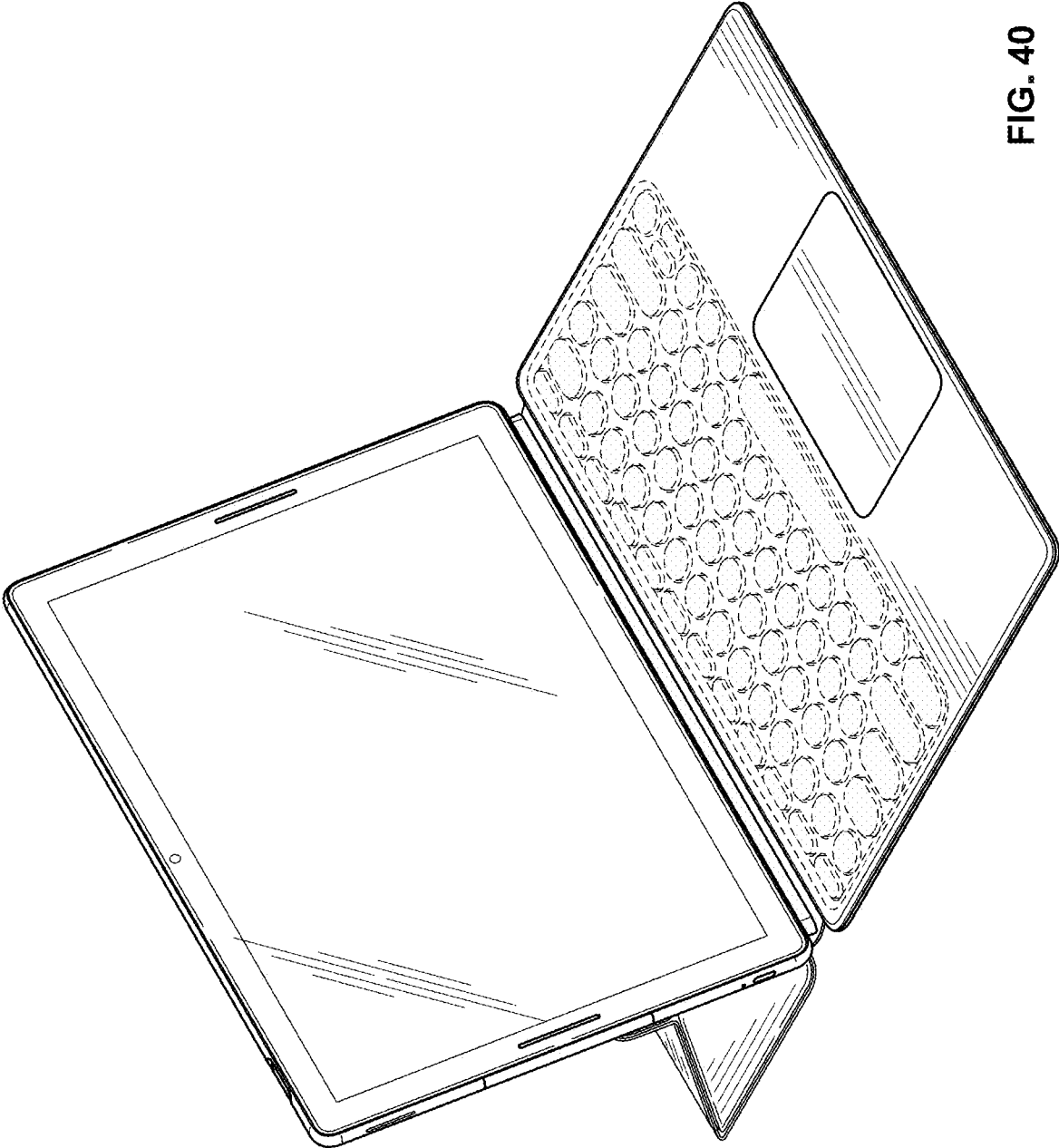


FIG. 40

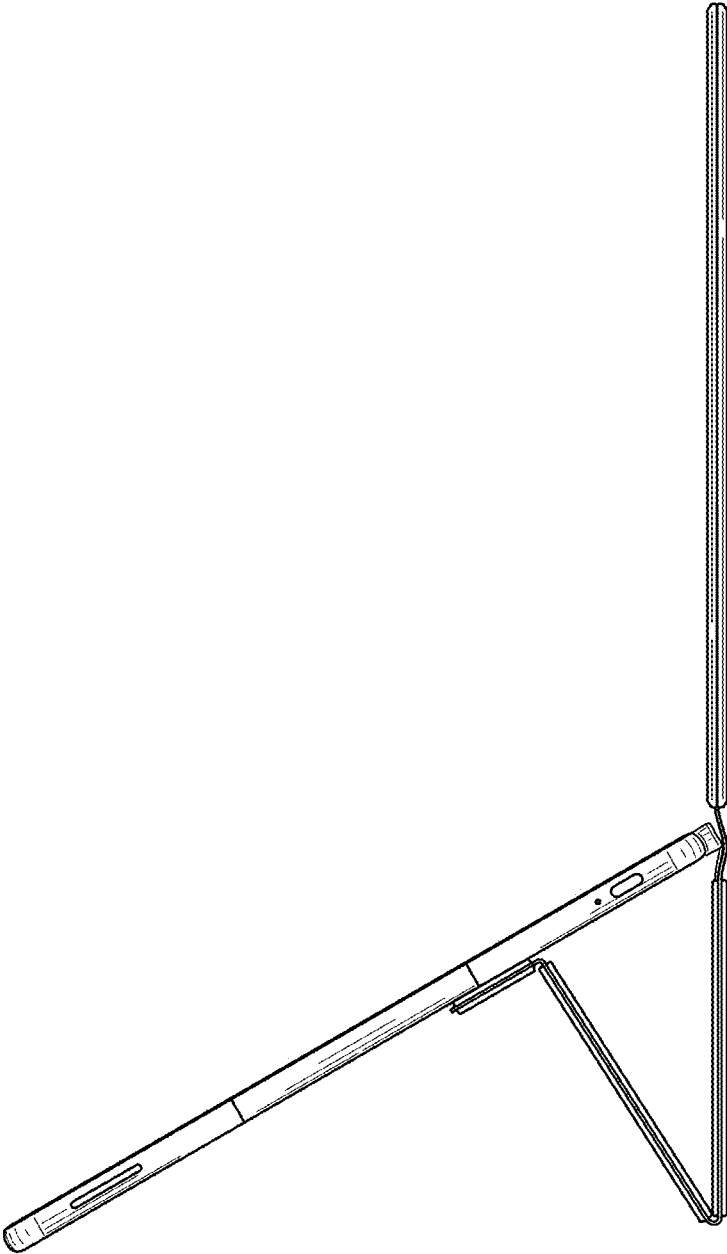


FIG. 41

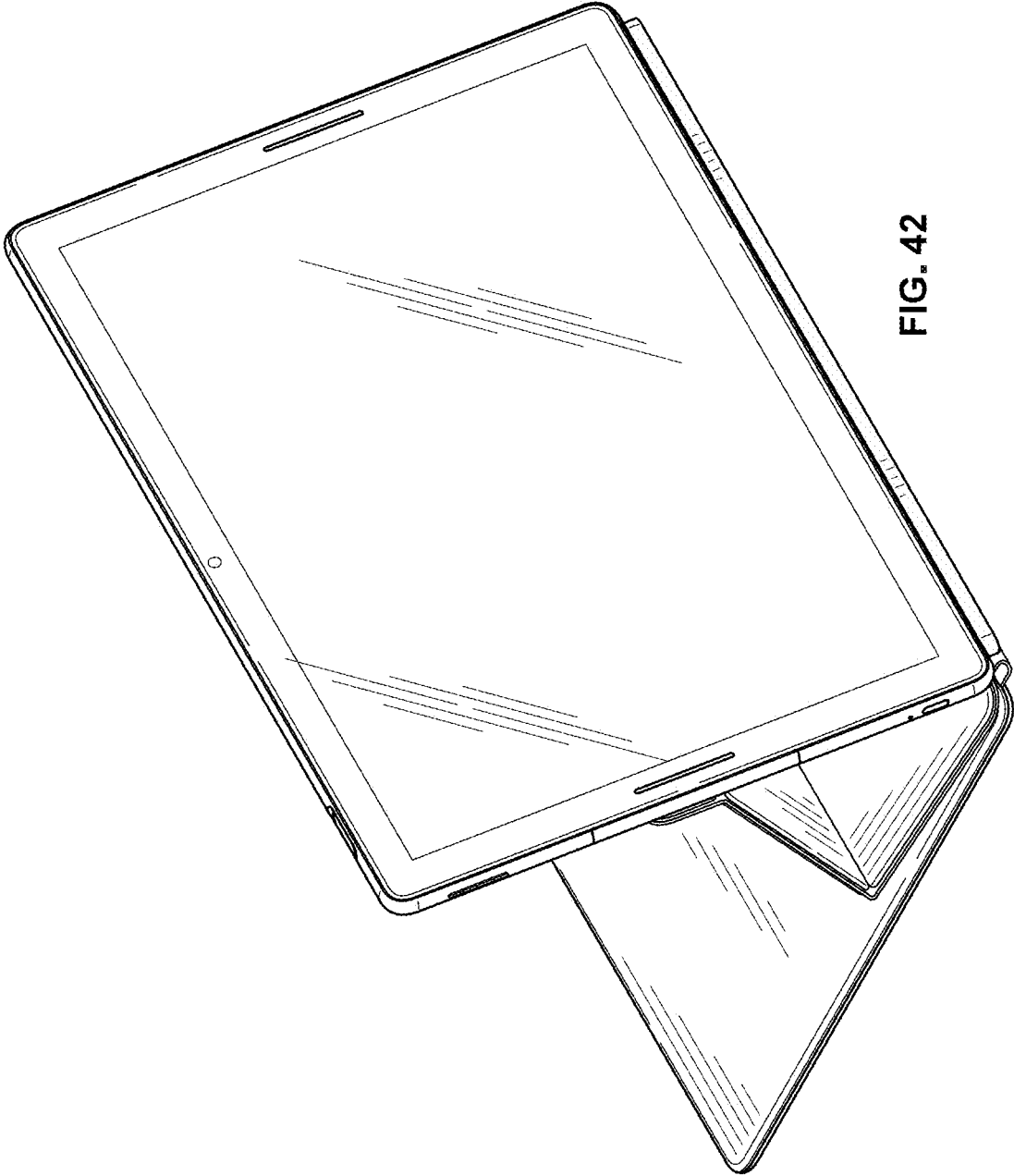


FIG. 42

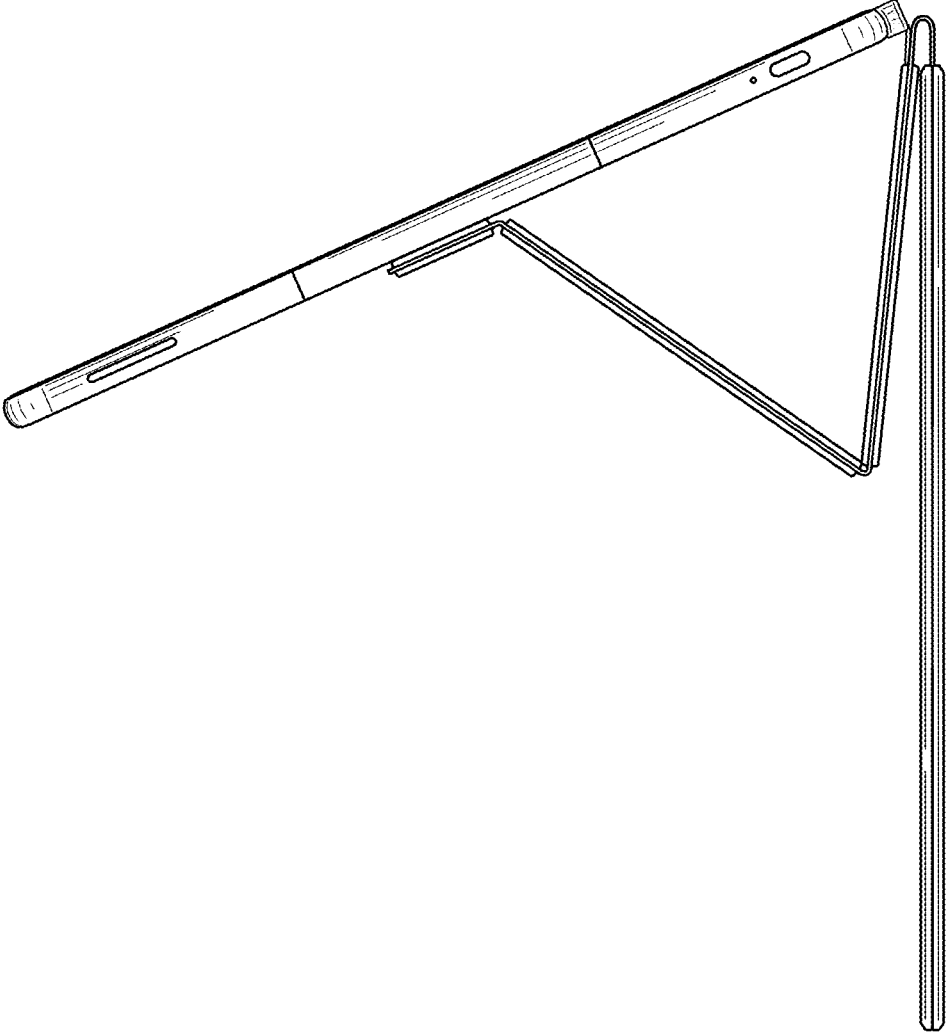


FIG. 43

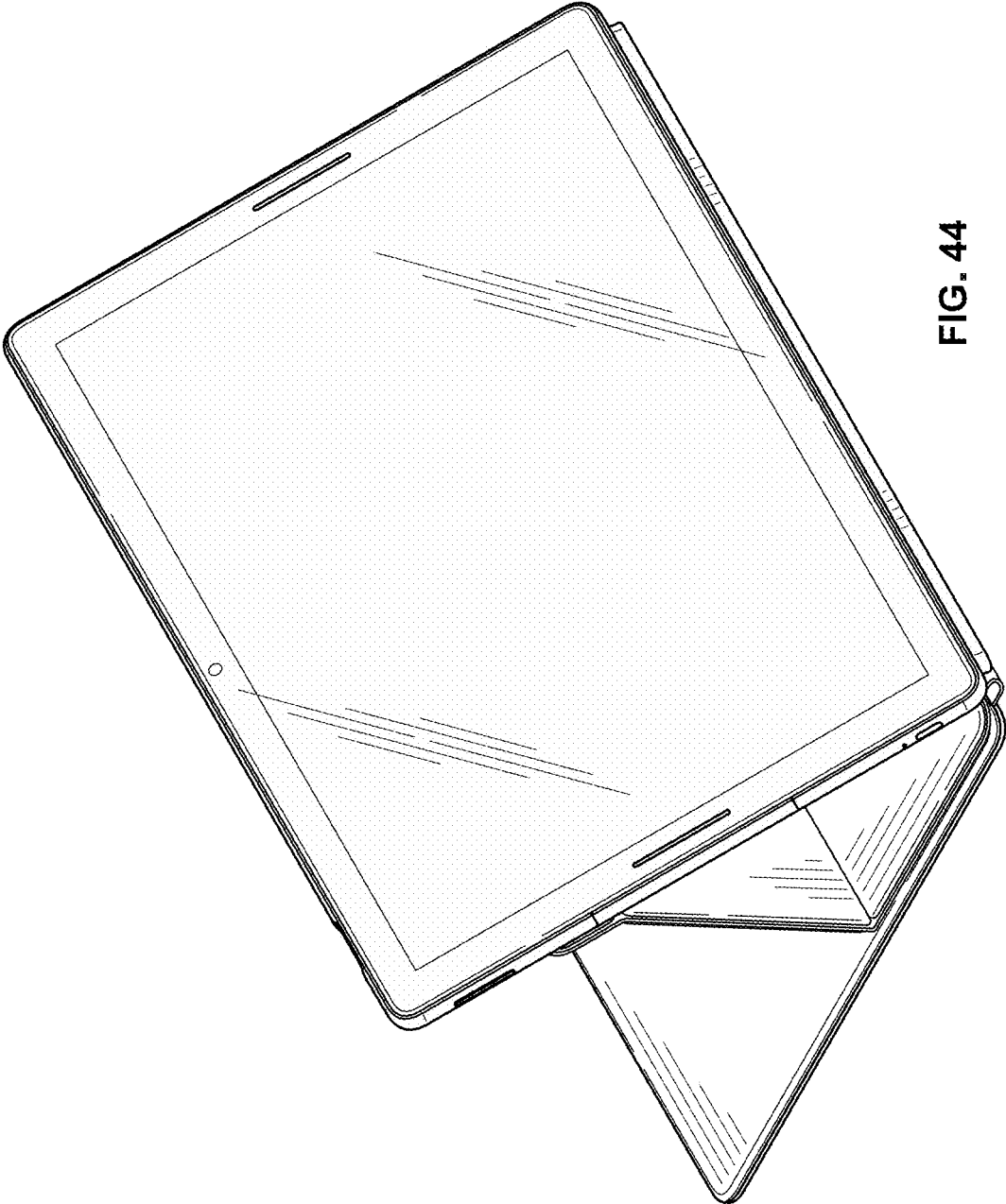


FIG. 44

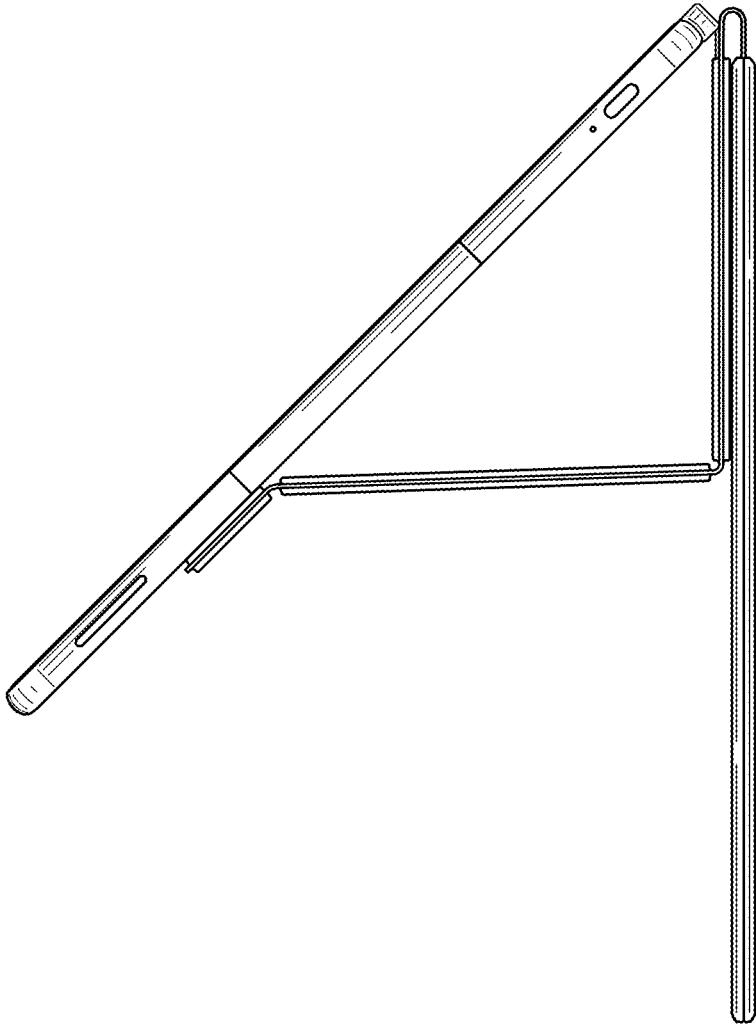


FIG. 45

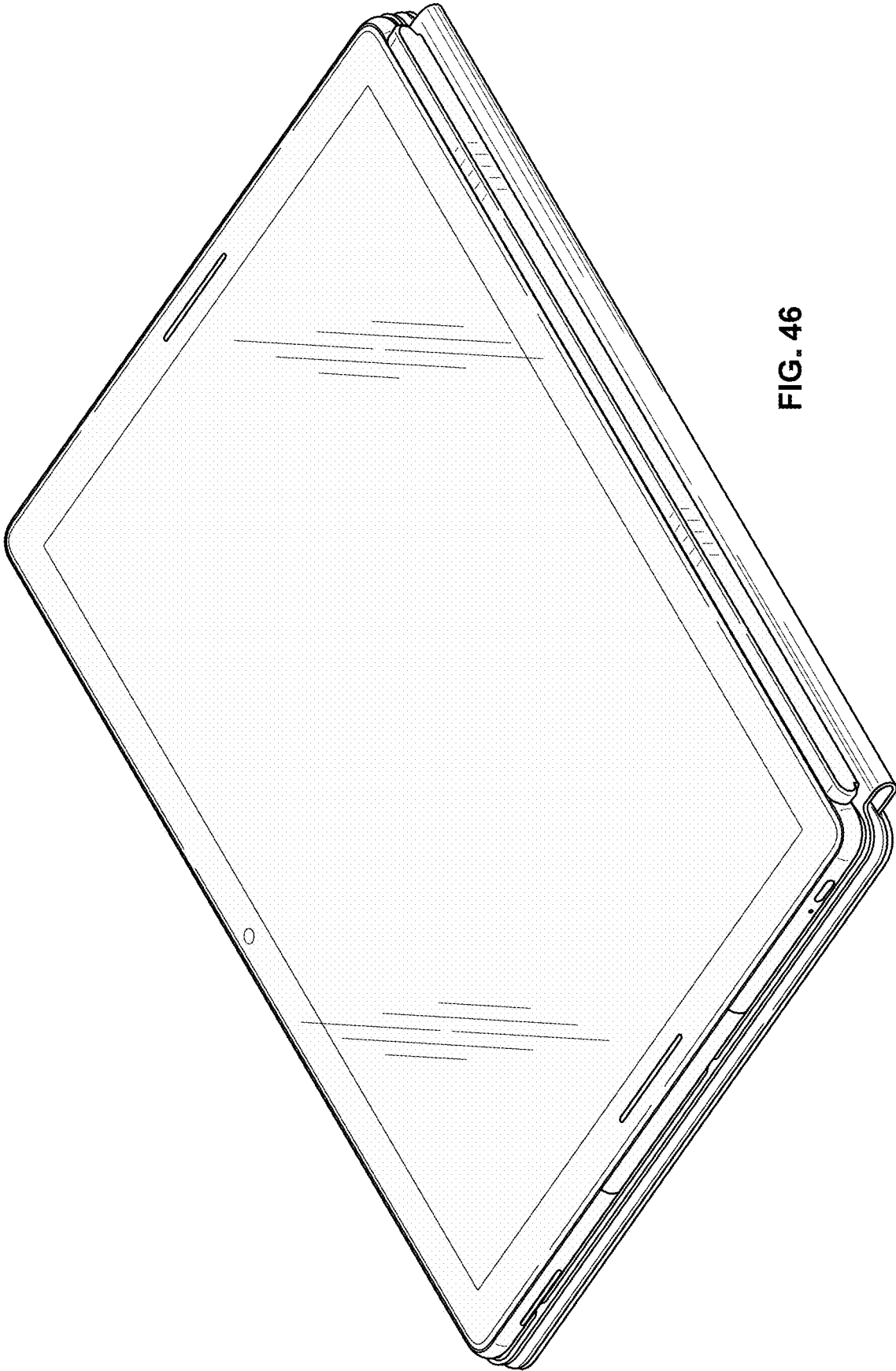


FIG. 46

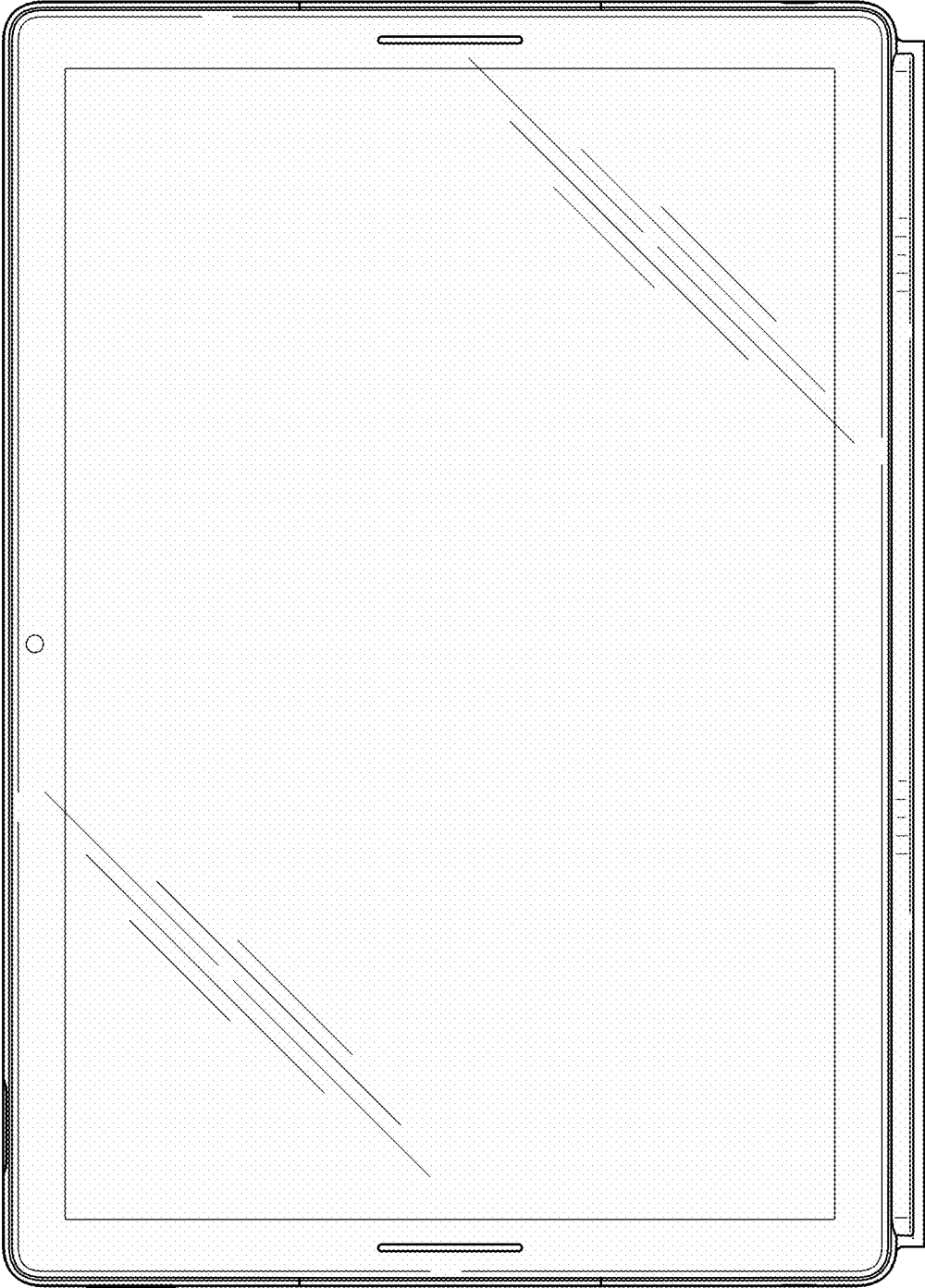


FIG. 47

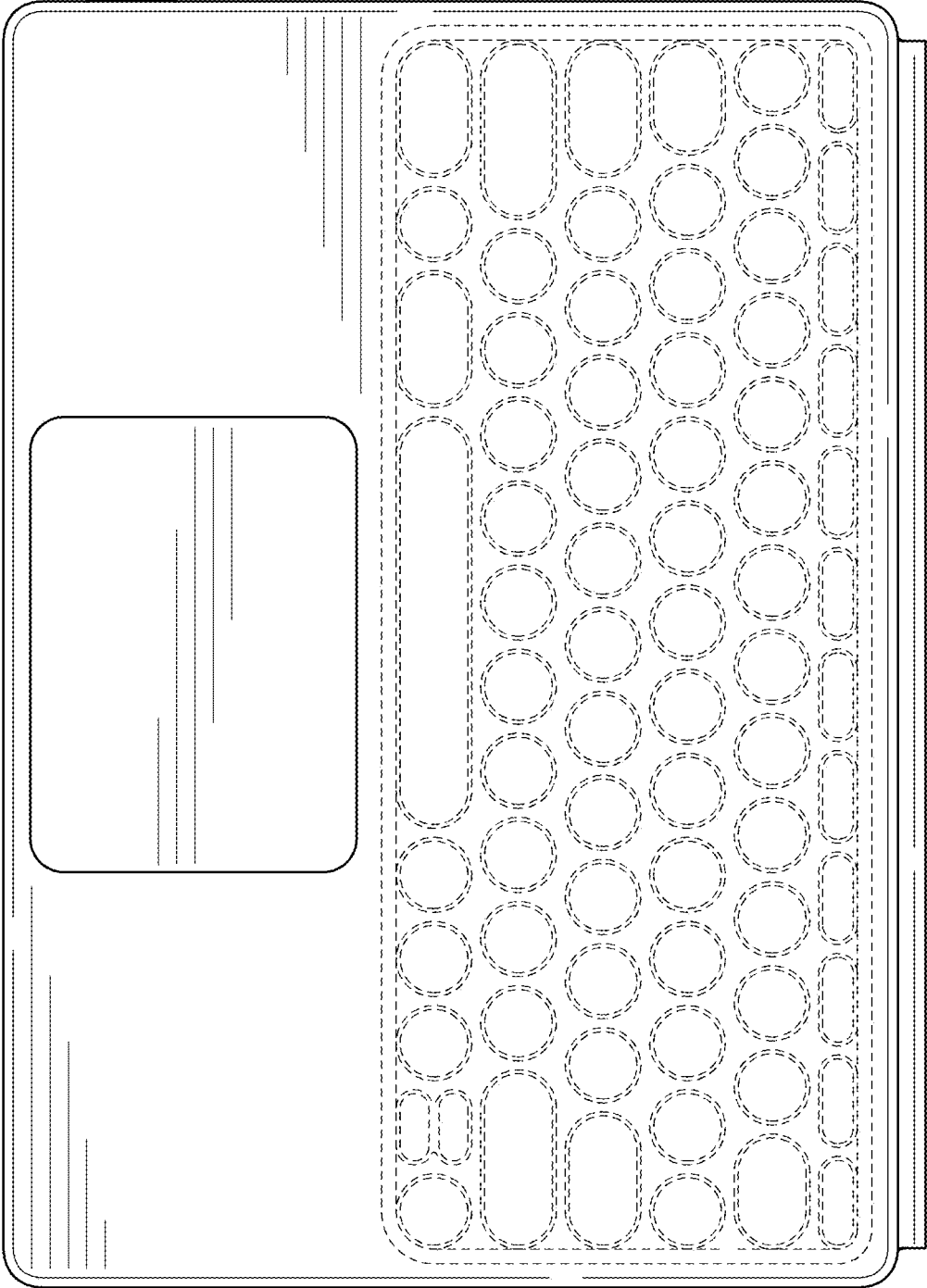


FIG. 48



FIG. 50



FIG. 49



FIG. 51

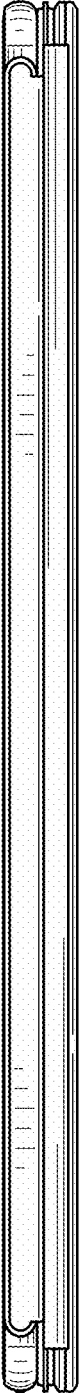


FIG. 52