



US00D722301S

(12) **United States Design Patent**  
**Crippa**

(10) **Patent No.:** **US D722,301 S**

(45) **Date of Patent:** **\*\* Feb. 10, 2015**

(54) **INTERCOM**

(71) Applicant: **AmRoad Technology Inc.**, New Taipei (TW)

(72) Inventor: **Mario Crippa**, New Taipei (TW)

(73) Assignee: **AmRoad Technology Inc.** (TW)

(\*\*) Term: **14 Years**

(21) Appl. No.: **29/506,323**

(22) Filed: **Oct. 15, 2014**

(51) **LOC (10) Cl.** ..... **14-03**

(52) **U.S. Cl.**  
USPC ..... **D14/159**

(58) **Field of Classification Search**  
USPC ..... D14/167, 154, 168, 188, 496, 156, 160,  
D14/161, 162, 163, 164, 165, 158, 253, 192,  
D14/159, 155, 138 AB, 137, 104.1; 455/351,  
455/350, 353; D10/104, 106, 65, 78;  
340/573.4, 573.1

See application file for complete search history.

(56) **References Cited**

**U.S. PATENT DOCUMENTS**

D394,435 S \* 5/1998 Parsadayan et al. .... D14/159  
D500,479 S \* 1/2005 Senda et al. .... D14/130

D509,820 S \* 9/2005 Yoshida et al. .... D14/159  
D519,100 S \* 4/2006 Shioya et al. .... D14/159  
D520,488 S \* 5/2006 Fabrizi .... D14/159  
D525,160 S \* 7/2006 Kurata .... D10/104.1  
D534,885 S \* 1/2007 Holger .... D14/130  
D535,268 S \* 1/2007 Holger .... D14/130  
D561,734 S \* 2/2008 Yamada et al. .... D14/159  
D588,574 S \* 3/2009 Takahata .... D14/159  
D597,062 S \* 7/2009 Lando et al. .... D14/159  
D620,917 S \* 8/2010 Hattori et al. .... D14/159  
D707,147 S \* 6/2014 Crippa et al. .... D10/118.2

\* cited by examiner

*Primary Examiner* — Austin Murphy

(74) *Attorney, Agent, or Firm* — Roger H. Chu

(57) **CLAIM**

The ornamental design for an intercom, as shown and described.

**DESCRIPTION**

FIG. 1 is a perspective view of an intercom showing my new design;

FIG. 2 is a front elevation view thereof;

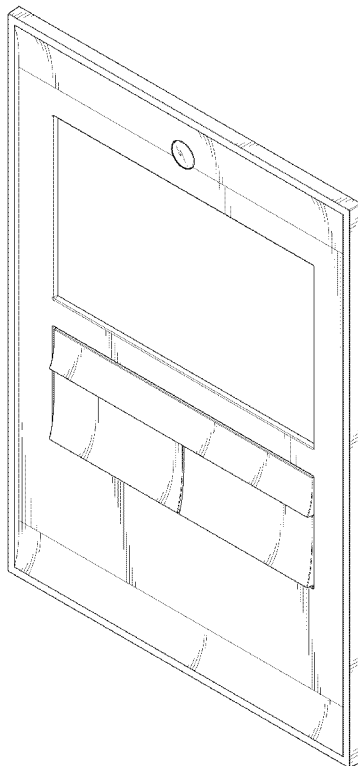
FIG. 3 is a right side elevation view thereof;

FIG. 4 is a left side elevation view thereof;

FIG. 5 is a top plan view thereof; and,

FIG. 6 is a bottom plan view thereof.

**1 Claim, 4 Drawing Sheets**



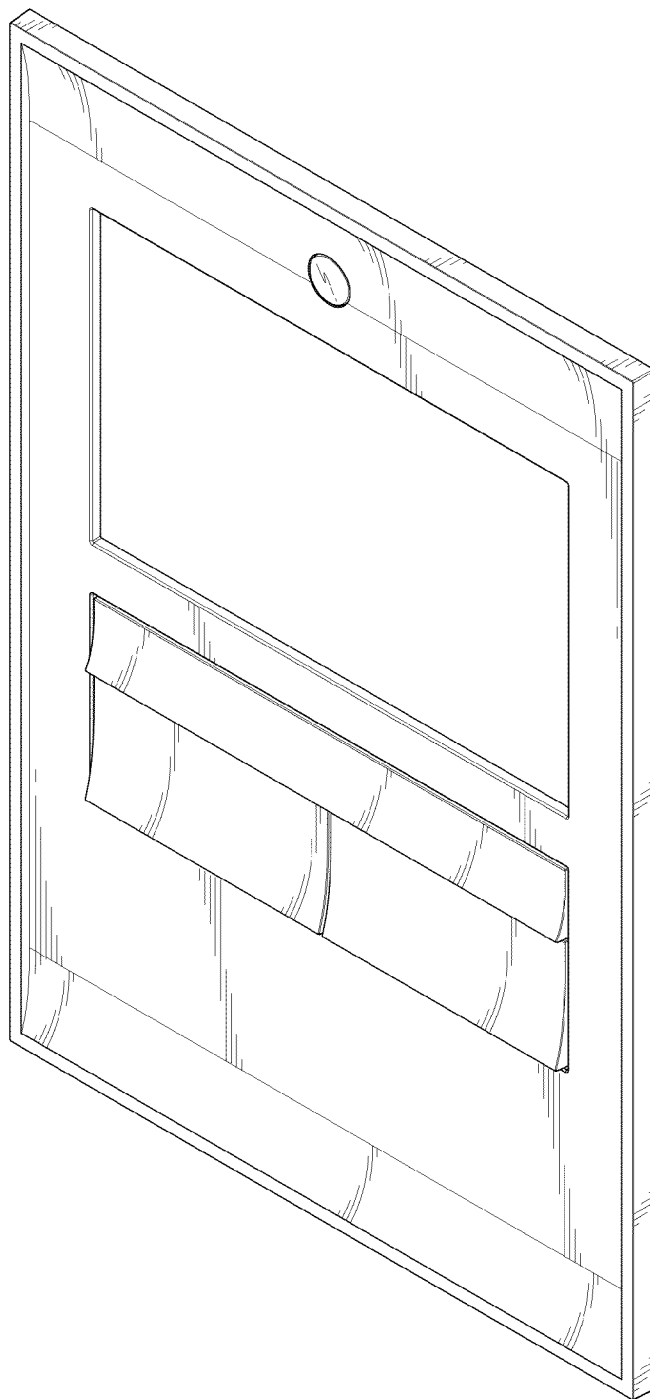


FIG. 1

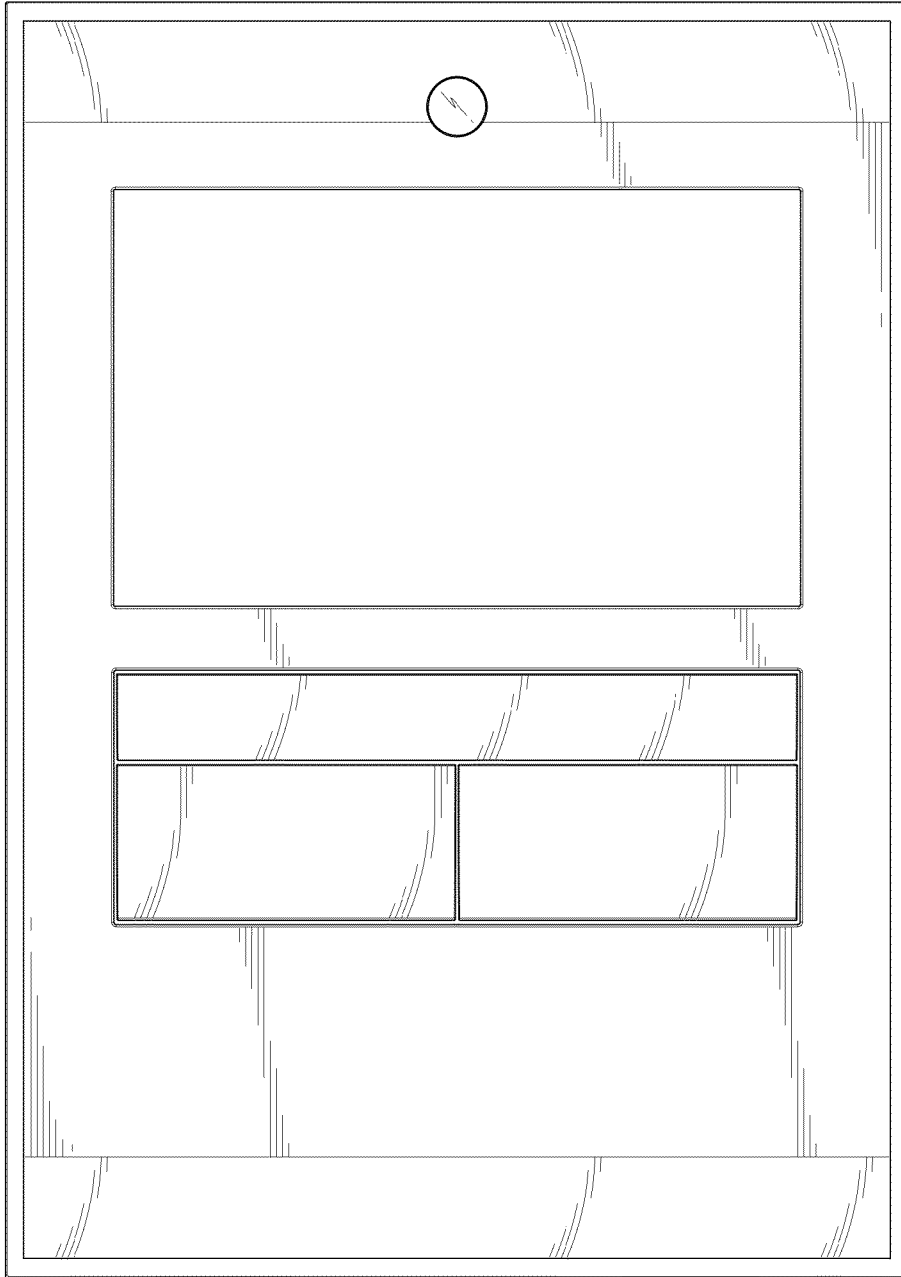


FIG. 2



FIG. 3



FIG. 4



FIG. 5



FIG. 6