



US00D811552S

(12) **United States Design Patent**  
**Fritz**

(10) **Patent No.:** **US D811,552 S**

(45) **Date of Patent:** **\*\* Feb. 27, 2018**

(54) **FAUCET BODY**

(71) Applicant: **DELTA FAUCET COMPANY,**  
Indianapolis, IN (US)

(72) Inventor: **Seth Fritz,** Carmel, IN (US)

(73) Assignee: **DELTA FAUCET COMPANY,**  
Indianapolis, IN (US)

(\*\*) Term: **15 Years**

(21) Appl. No.: **29/572,211**

(22) Filed: **Jul. 26, 2016**

(51) **LOC (11) Cl.** ..... **23-01**

(52) **U.S. Cl.**  
USPC ..... **D23/255**

(58) **Field of Classification Search**  
USPC ..... D23/238, 241-243, 249, 255, 257, 250,  
D23/252, 254  
CPC ..... Y10T 137/9464  
See application file for complete search history.

(56) **References Cited**

**U.S. PATENT DOCUMENTS**

D440,637 S \* 4/2001 Lefroy-Brooks ..... D23/238  
D515,666 S \* 2/2006 Ng ..... D23/238

D528,189 S \* 9/2006 Kulig ..... D23/238  
D590,922 S \* 4/2009 Shieh ..... D23/255  
D645,120 S \* 9/2011 Lammel ..... D23/238  
D666,276 S \* 8/2012 Fritz ..... D23/238  
D692,986 S \* 11/2013 Flowers ..... D23/238

\* cited by examiner

*Primary Examiner* — Robert A Delehanty

(74) *Attorney, Agent, or Firm* — Edgar A. Zarins; Nirav D. Parikh

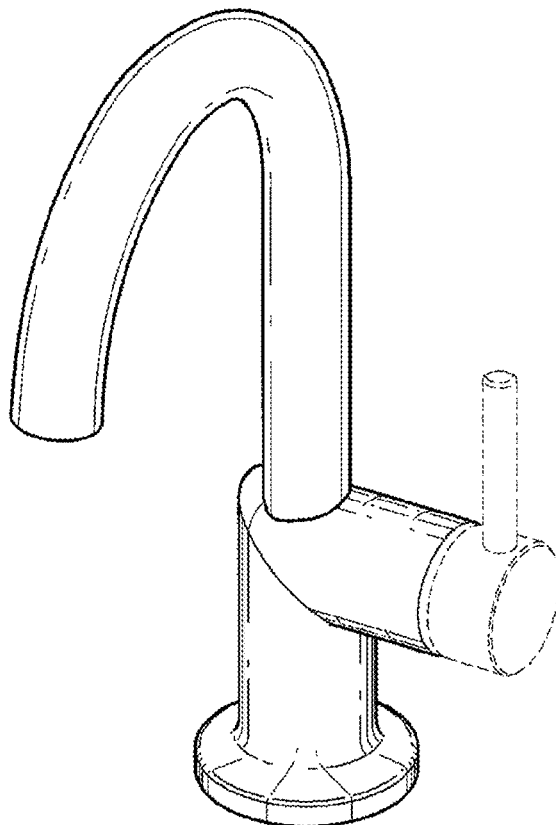
(57) **CLAIM**

The ornamental design for a faucet body, as shown and described.

**DESCRIPTION**

FIG. 1 is a perspective view of a faucet body showing my new design;  
FIG. 2 is a front elevational view thereof;  
FIG. 3 is a rear view thereof;  
FIG. 4 is a top plan view thereof;  
FIG. 5 is a right side view thereof;  
FIG. 6 is a left side view thereof; and,  
FIG. 7 is a bottom view thereof.  
The broken lines showing a handle represent unclaimed portion/s of the faucet body and form no part of the claimed design.

**1 Claim, 3 Drawing Sheets**



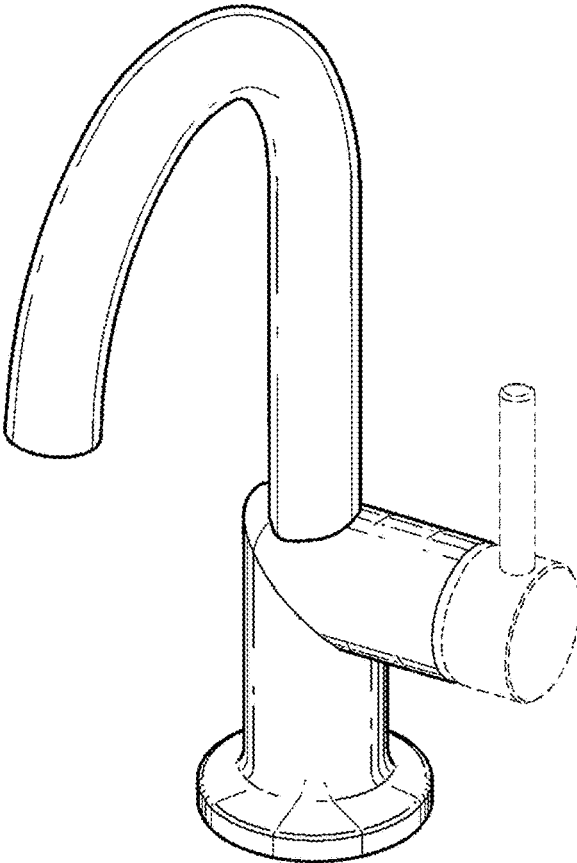


Fig-1

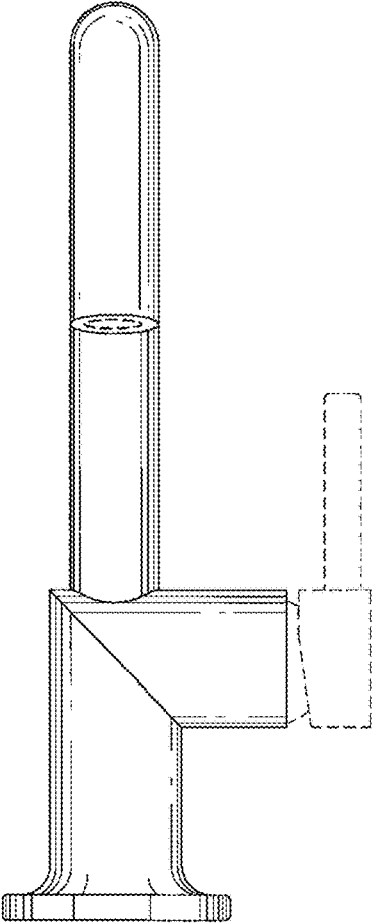


Fig-2

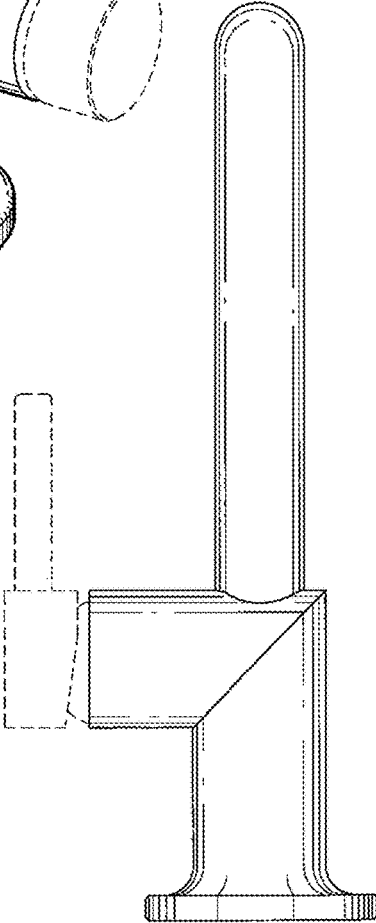


Fig-3

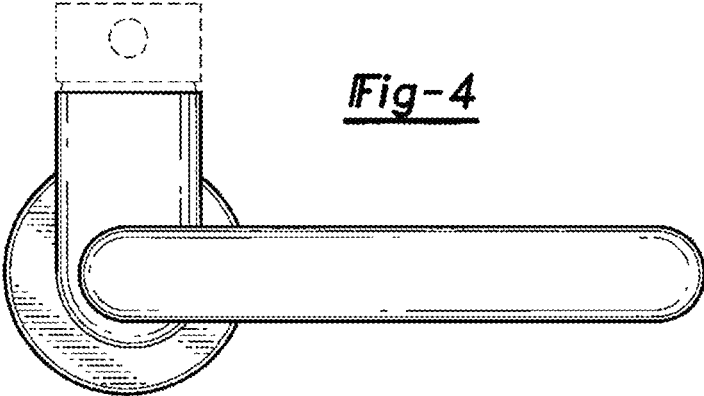


Fig-4

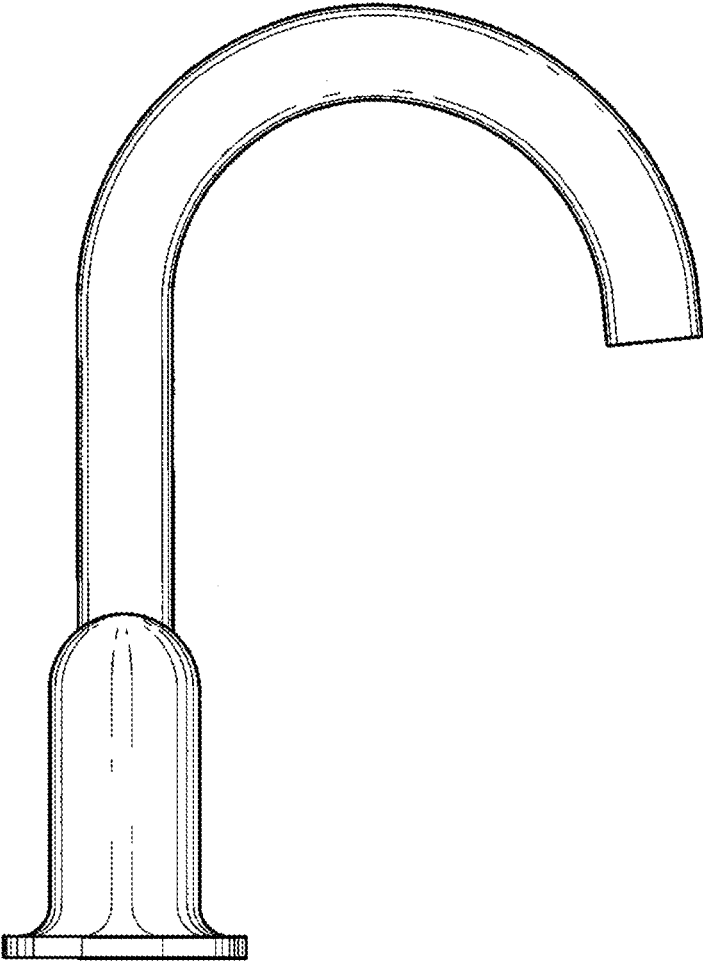


Fig-5

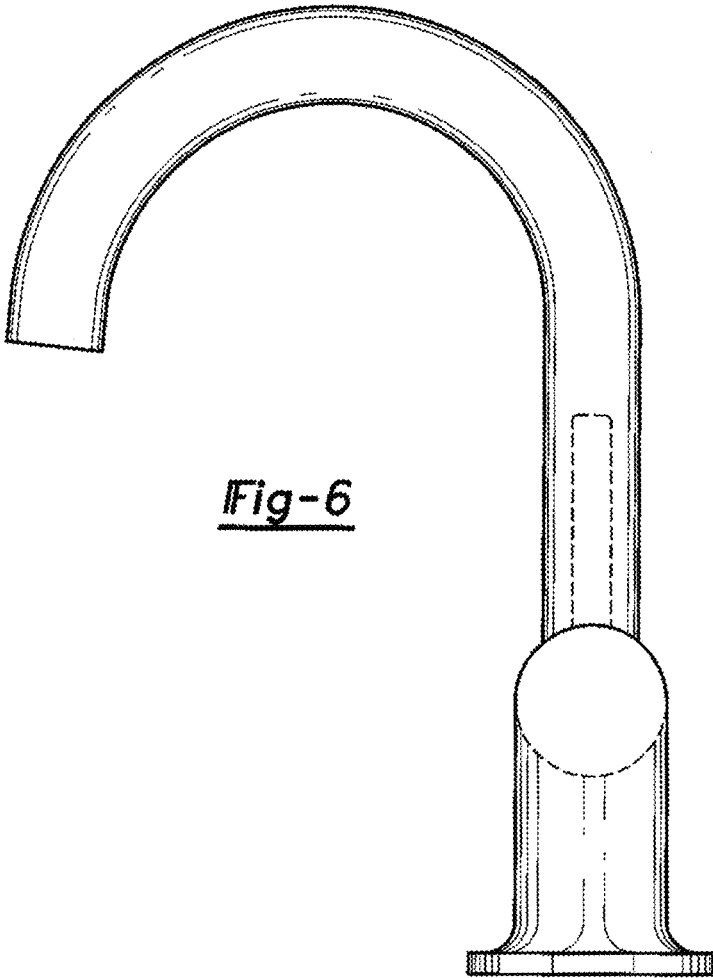


Fig-6

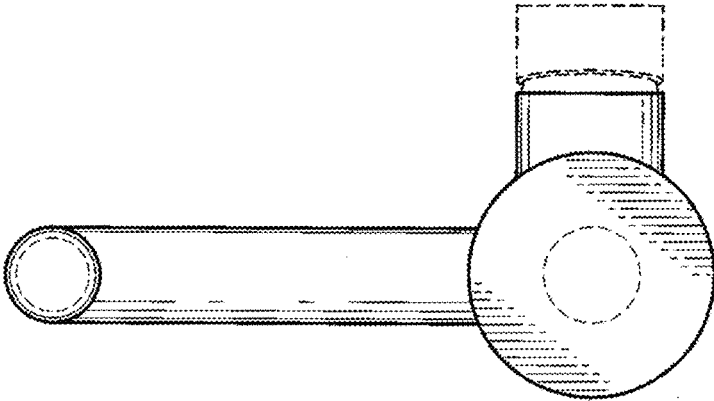


Fig-7