



US00D919064S

(12) **United States Design Patent**
Wang et al.

(10) **Patent No.:** **US D919,064 S**

(45) **Date of Patent:** **** May 11, 2021**

(54) **HUMIDIFIER**

(71) Applicants: **Mu-Mian Wang**, Zhongshan (CN);
Chun-You Wang, Zhongshan (CN);
Yong Hou, Zhongshan (CN)

(72) Inventors: **Mu-Mian Wang**, Zhongshan (CN);
Chun-You Wang, Zhongshan (CN);
Yong Hou, Zhongshan (CN)

(**) Term: **15 Years**

(21) Appl. No.: **29/703,159**

(22) Filed: **Aug. 25, 2019**

(51) **LOC (13) Cl.** **23-04**

(52) **U.S. Cl.**
USPC **D23/356**

(58) **Field of Classification Search**
USPC D23/355-366, 352, 369, 332, 333, 335,
D23/336, 342, 351; 422/120, 122;
55/356, 473, 504; 96/97; 261/DIG. 17,
261/DIG. 65, DIG. 88, DIG. 31
CPC .. A61L 9/16; A61L 9/22; B01D 47/00; B01D
47/027; B01D 2221/02; B01D 2259/4508;
B03C 3/155; B03C 3/368; F24F 3/16;
F24F 13/20; F24F 13/28; F24F
2001/0096

See application file for complete search history.

(56) **References Cited**

U.S. PATENT DOCUMENTS

D827,802 S * 9/2018 Chen D23/366
D835,766 S * 12/2018 Chen D23/364

D838,825 S * 1/2019 Sullivan D23/366
D865,932 S * 11/2019 Ha D23/356
D870,870 S * 12/2019 Copparstad D23/351
D873,401 S * 1/2020 Chen D23/364
D879,274 S * 3/2020 Hu D23/356
D882,056 S * 4/2020 Baillie D23/364
D884,138 S * 5/2020 Chen D23/366
D886,272 S * 6/2020 Yang D23/364
D886,975 S * 6/2020 Yang D23/364
D888,923 S * 6/2020 Zhong D23/364
D890,905 S * 7/2020 Farone D23/364

* cited by examiner

Primary Examiner — David G Muller

(74) *Attorney, Agent, or Firm* — W&K IP

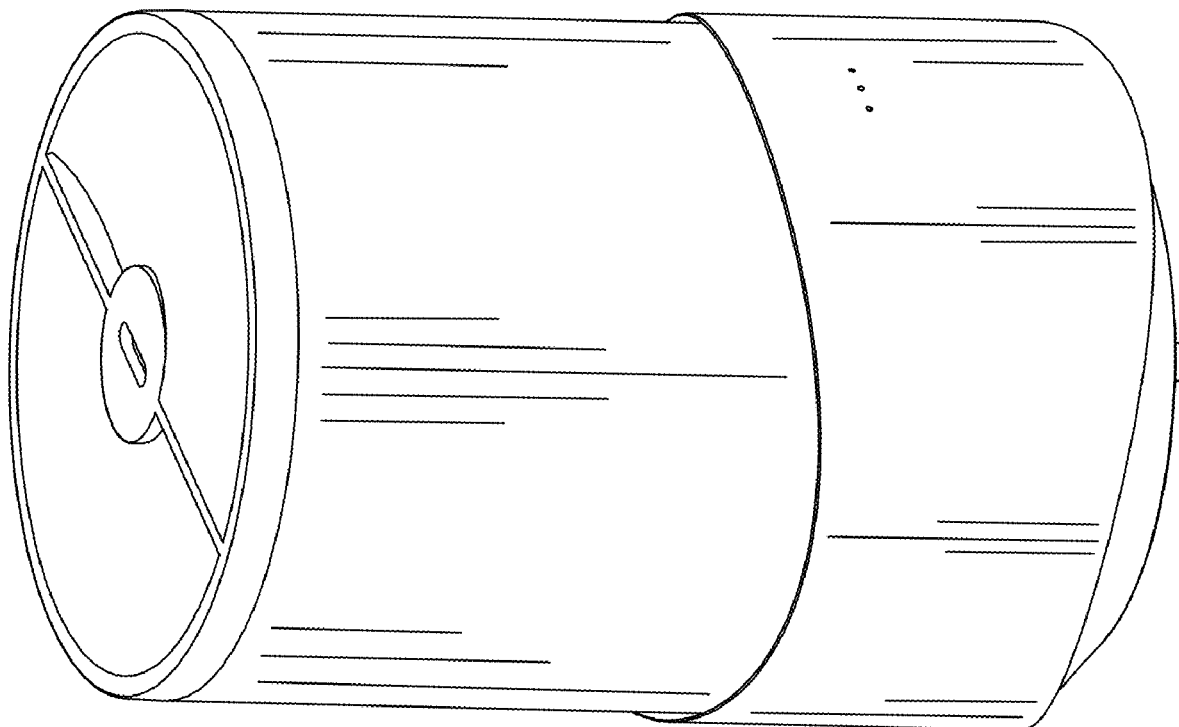
(57) **CLAIM**

The ornamental design for a humidifier, as shown and described.

DESCRIPTION

FIG. 1 is a perspective view of a humidifier showing my new design;
FIG. 2 is a front elevational view thereof;
FIG. 3 is a top plan view thereof;
FIG. 4 is a left side elevational view thereof;
FIG. 5 is a rear elevational view thereof;
FIG. 6 is a right side view thereof; and,
FIG. 7 is a bottom plan view thereof.
The broken lines in the drawings illustrate portions of the humidifier, that form no part of the claimed design.

1 Claim, 7 Drawing Sheets



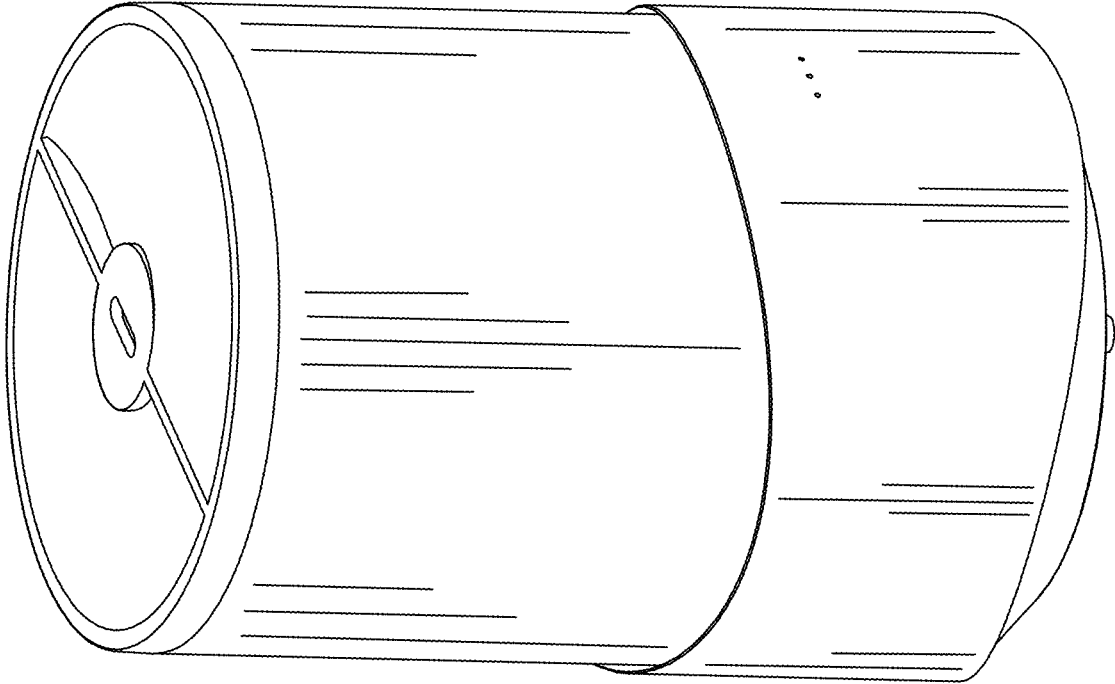


FIG. 1

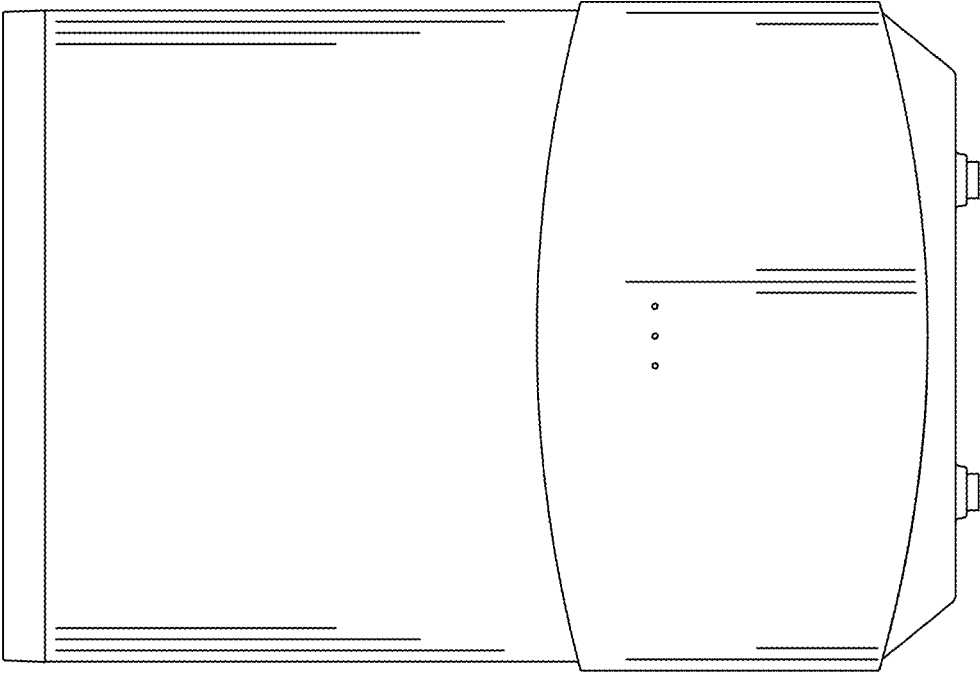


FIG. 2

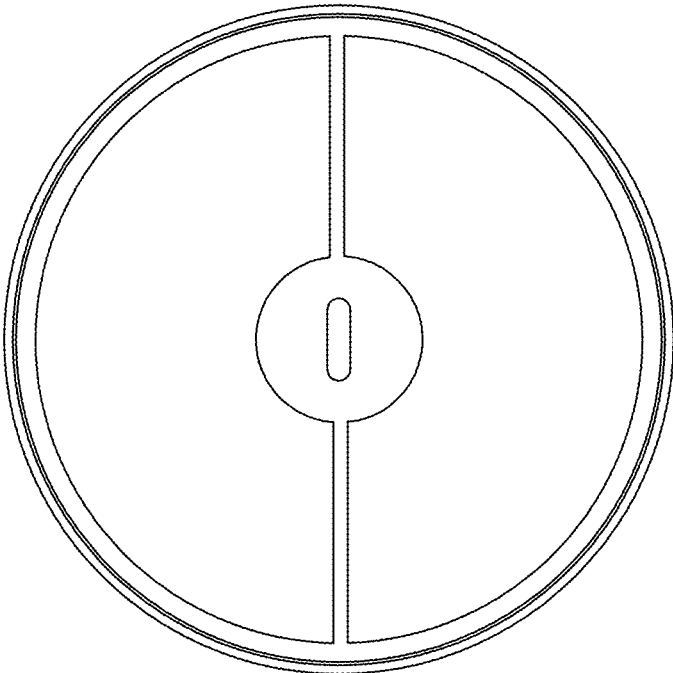


FIG. 3

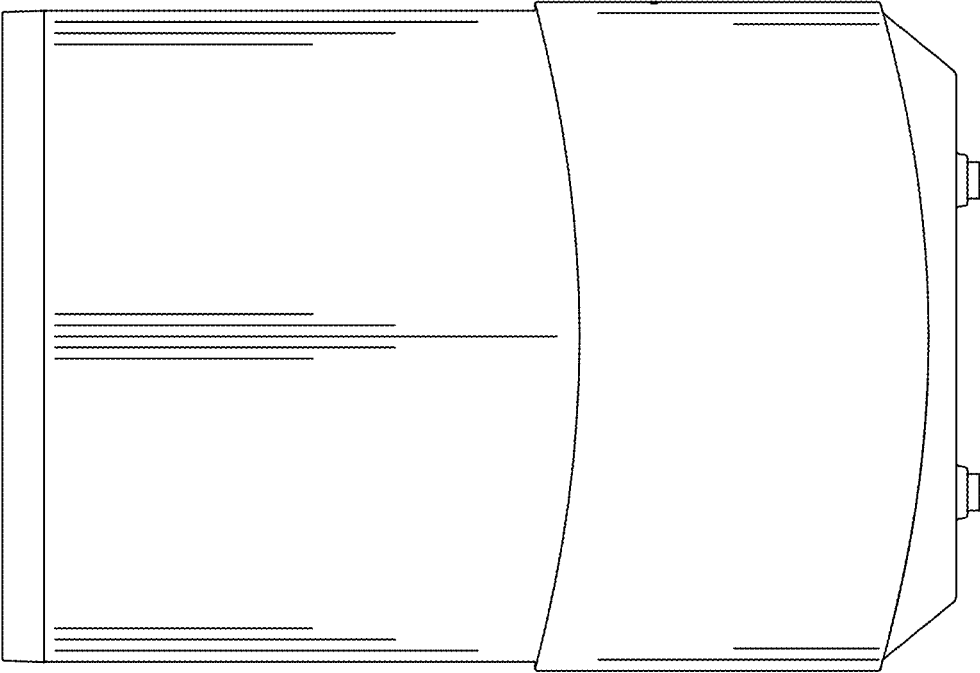


FIG. 4

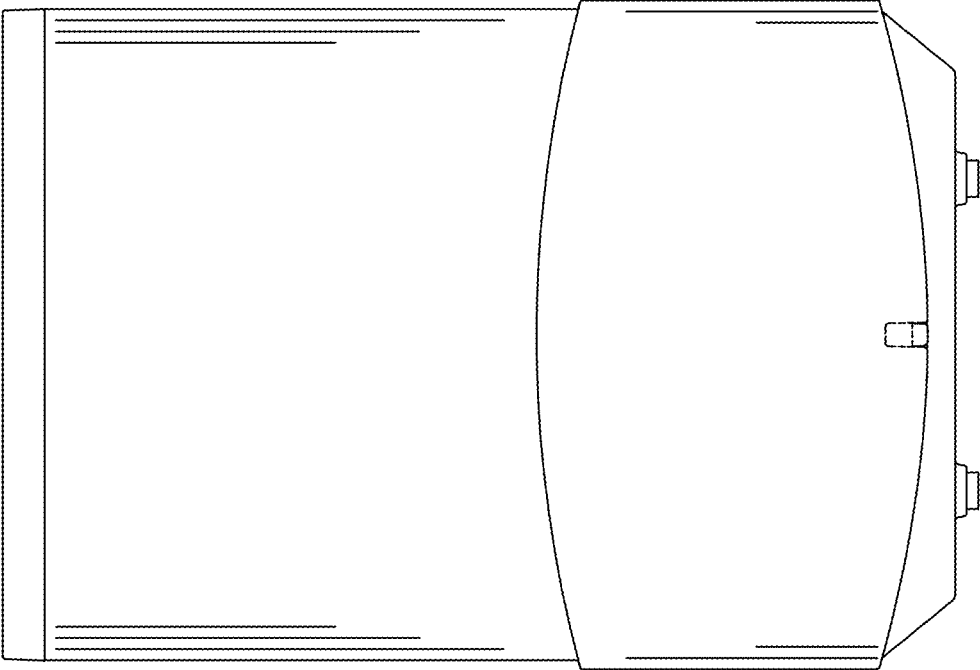


FIG. 5

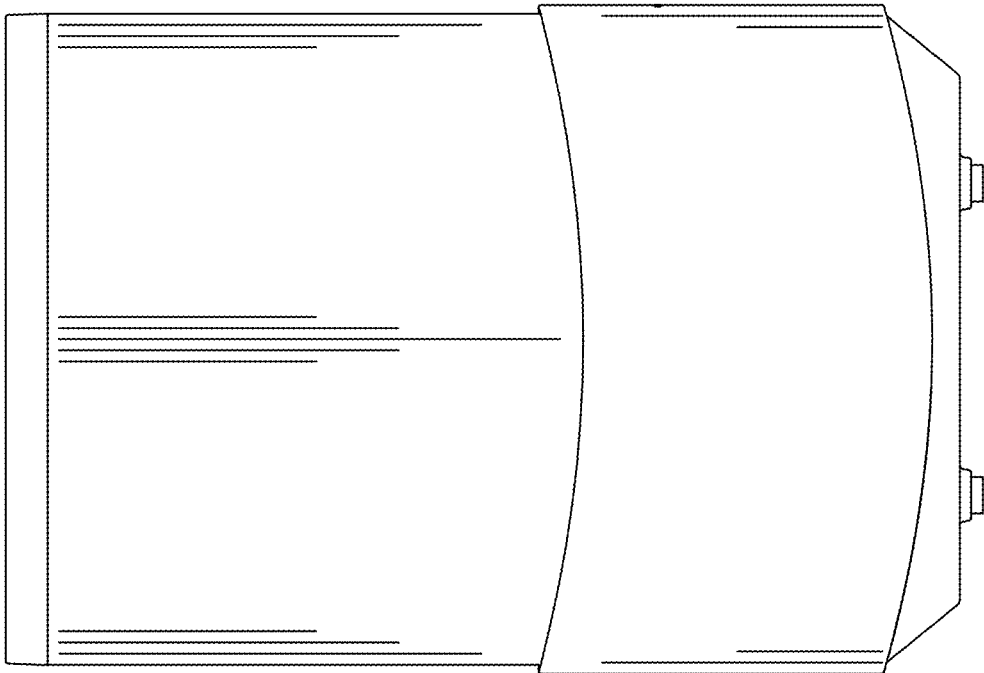


FIG. 6

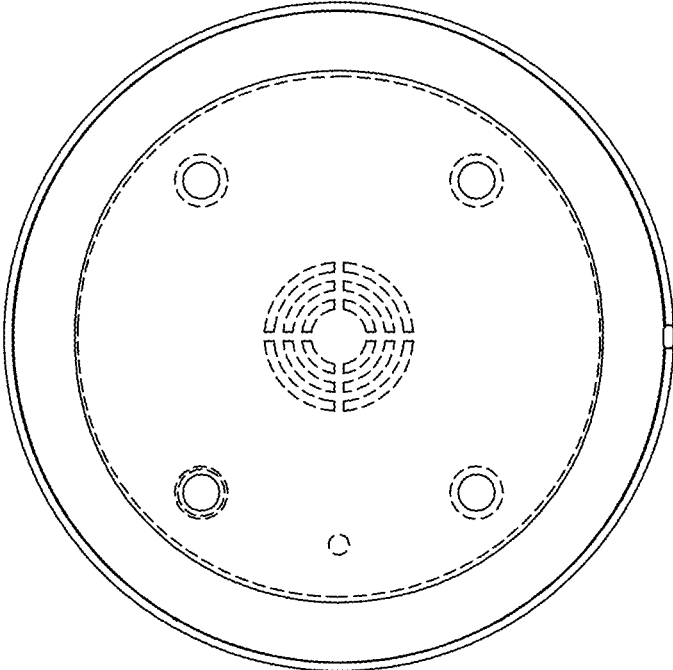


FIG. 7