



US00D760463S

(12) **United States Design Patent**  
**Kellogg**

(10) **Patent No.:** **US D760,463 S**

(45) **Date of Patent:** **\*\* Jun. 28, 2016**

- (54) **LAUNDRY CART HANGER BAR**
- (71) Applicant: **Bajer Design & Marketing, Inc.**,  
Waukesha, WI (US)
- (72) Inventor: **Adam M. Kellogg**, Oconomowoc, WI  
(US)
- (73) Assignee: **Bajer Design & Marketing, Inc.**,  
Waukesha, WI (US)
- (\*\*) Term: **14 Years**
- (21) Appl. No.: **29/522,466**

5,772,236 A	6/1998	Clark	
5,967,342 A	10/1999	Steffine	
6,019,381 A	2/2000	Krawczyk	
6,032,965 A	3/2000	Sabounjian	
D434,538 S	11/2000	Thompson	
D459,044 S *	6/2002	Felsenthal	D32/66
6,471,236 B1	10/2002	Esckridge	
D469,975 S *	2/2003	Sparkowski	D6/681.1
D474,316 S	5/2003	Sofy et al.	
6,604,473 B2	8/2003	Felsenthal	
6,691,879 B1	2/2004	Alvarez	
D496,180 S *	9/2004	Abruzzo	D6/681.1
D520,696 S	5/2006	Waldman	
7,188,859 B2 *	3/2007	Hardin	A45C 13/385 280/47.2
7,252,302 B1	8/2007	Thurn	
7,513,511 B2	4/2009	Chaseateau	

- (22) Filed: **Mar. 31, 2015**
- (51) **LOC (10) Cl.** ..... **12-02**
- (52) **U.S. Cl.**  
USPC ..... **D34/27; D32/36**
- (58) **Field of Classification Search**  
USPC ..... D34/12-27; D32/36, 37; 280/33.991,  
280/33.992, 33.993, 47.33, 47.32, 651,  
280/47.26, 659; 211/175, 196, 85.24;  
D6/681.1  
CPC ..... B62B 3/146; B62B 3/027; B62B 3/02;  
B62B 3/10; B62B 3/022; A47K 10/06;  
A47K 10/24  
See application file for complete search history.

(Continued)

*Primary Examiner* — Cynthia Ramirez  
(74) *Attorney, Agent, or Firm* — Ryan Kromholz & Manion,  
S.C.

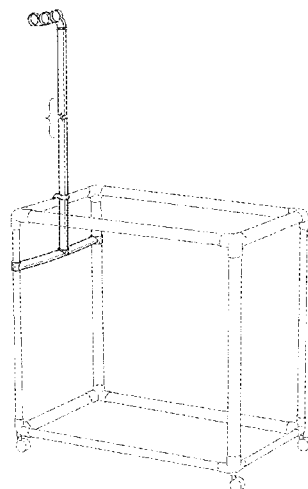
(57) **CLAIM**  
The ornamental design for a laundry cart hanger bar, as shown  
and described.

**DESCRIPTION**

FIG. 1 is a perspective view of the laundry cart hanger bar showing my new design;  
FIG. 2 is another perspective view thereof;  
FIG. 3 is a rear elevation view;  
FIG. 4 is a front elevation view;  
FIG. 5 is a top plan view;  
FIG. 6 is a bottom plan view;  
FIG. 7 is a right side elevation view; and,  
FIG. 8 is a left side view thereof.  
The broken lines in FIG. 1 are included only for the purpose of illustrating environmental structure and form no part of the claimed invention.  
The broken away symbols in FIGS. 1, 2, 3, 4, 7 and 8 indicate the appearance of any portion of the article between the break lines forms no part of the claimed design.

- (56) **References Cited**  
U.S. PATENT DOCUMENTS
- |               |         |           |                        |
|---------------|---------|-----------|------------------------|
| 2,733,930 A   | 2/1956  | Putterman |                        |
| 2,901,262 A   | 8/1959  | Berlin    |                        |
| D186,428 S *  | 10/1959 | Gunning   | 280/13                 |
| D190,368 S *  | 5/1961  | Nobles    | D32/16                 |
| D230,969 S *  | 3/1974  | Saltzman  | D34/21                 |
| 4,055,357 A   | 10/1977 | Sorocin   |                        |
| D290,538 S    | 6/1987  | Basore    |                        |
| D299,805 S *  | 2/1989  | Pifher    | D6/681.1               |
| 5,203,579 A * | 4/1993  | Lipschitz | B62B 3/1472<br>248/129 |
| 5,294,009 A   | 3/1994  | Maurer    |                        |
| D352,810 S    | 11/1994 | Cassel    |                        |

**1 Claim, 3 Drawing Sheets**



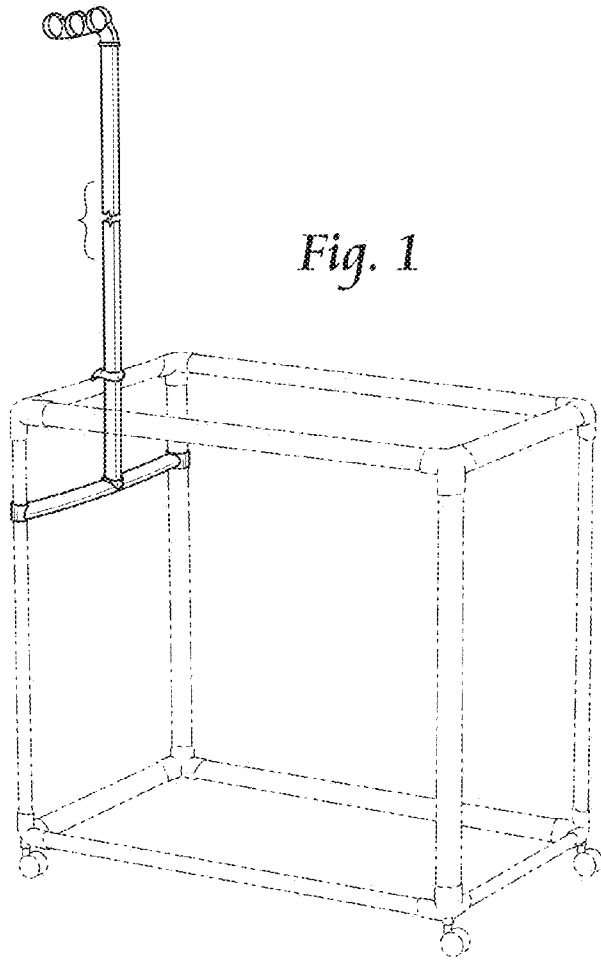
(56)

**References Cited**

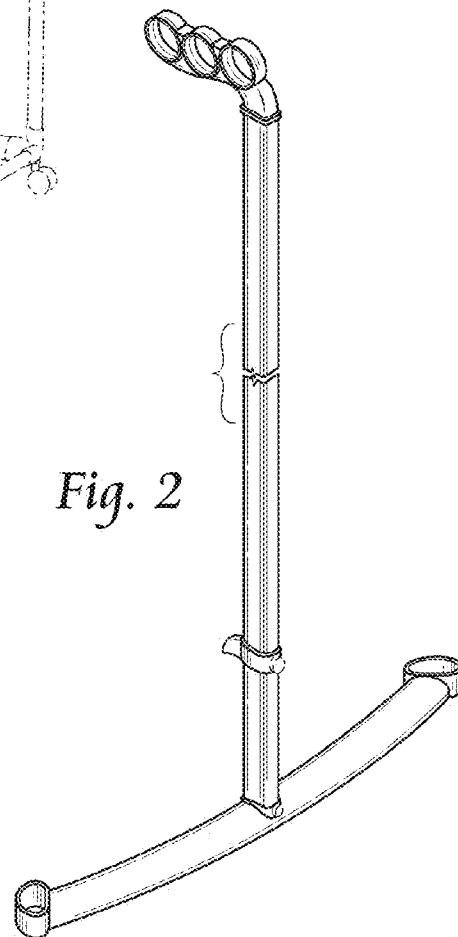
U.S. PATENT DOCUMENTS

D608,518 S *	1/2010	Luebke .....	D34/21	8,820,777 B1	9/2014	Pargansky	
D619,316 S	7/2010	Yang et al.		D723,238 S *	2/2015	Spates .....	D34/20
D637,374 S *	5/2011	Giannetti .....	D34/27	9,033,348 B1 *	5/2015	Vadnais .....	B62B 1/10 280/47.28
D643,990 S *	8/2011	Rouillard .....	D34/27	D733,385 S *	6/2015	Spates .....	D34/20
D695,984 S *	12/2013	Rouillard .....	D34/27	D734,914 S *	7/2015	Tsai .....	D34/21
D697,284 S *	1/2014	Ho .....	D34/12	2012/0133111 A1 *	5/2012	Schmutzer .....	A61M 5/1415 280/651

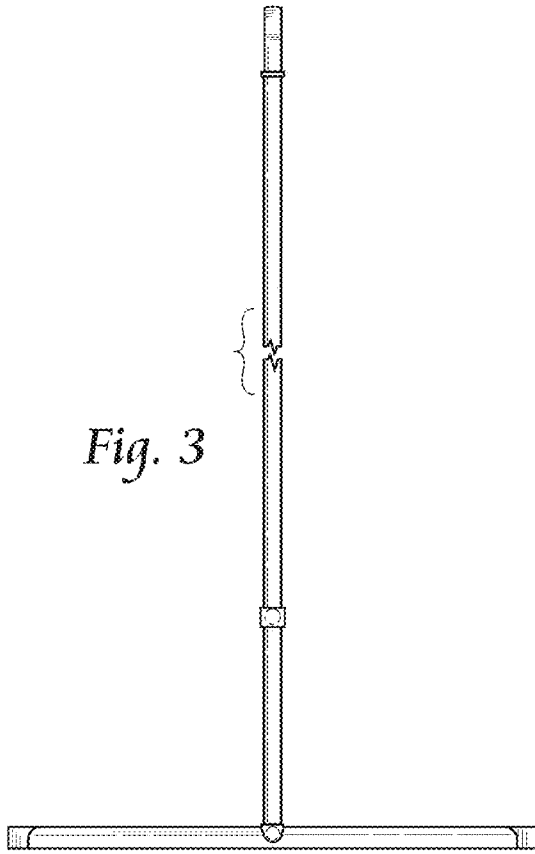
\* cited by examiner



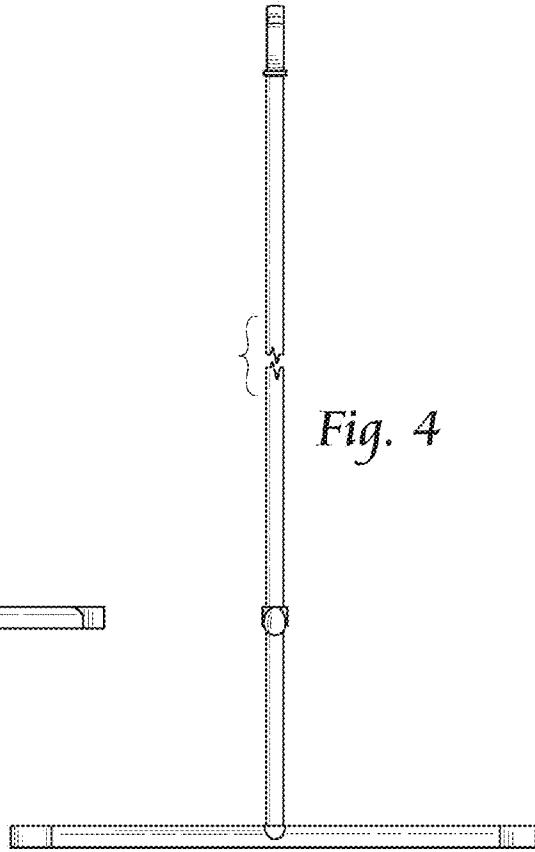
*Fig. 1*



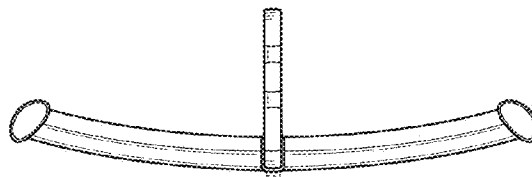
*Fig. 2*



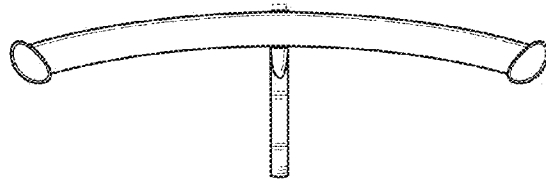
*Fig. 3*



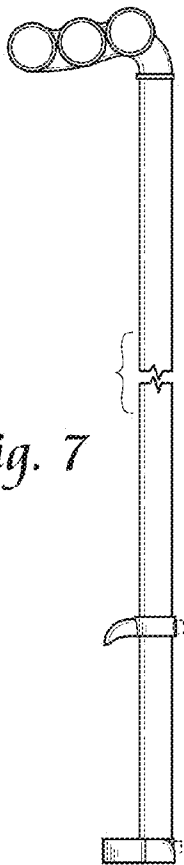
*Fig. 4*



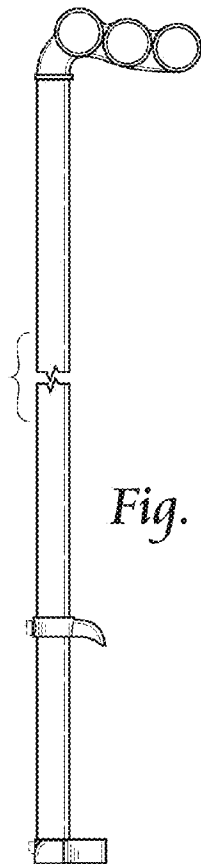
*Fig. 5*



*Fig. 6*



*Fig. 7*



*Fig. 8*