



US00D927218S

(12) **United States Design Patent**
Stang et al.

(10) **Patent No.:** **US D927,218 S**

(45) **Date of Patent:** **** Aug. 10, 2021**

- (54) **TOILET PAPER DISPENSER**
- (71) Applicant: **Bradley Corporation**, Menomonee Falls, WI (US)
- (72) Inventors: **Laura Beth Stang**, Mukwonago, WI (US); **Simon Holzmann**, Zorneding (DE); **Stefan Hillenmayer**, Munich (DE); **Ning Zhou**, Munich (DE)

- D616,683 S 6/2010 Law et al.
- D623,453 S * 9/2010 Benedetti D6/518
- D624,340 S 9/2010 Benedetti
- D634,142 S 3/2011 Meyerhoffer
- D634,143 S * 3/2011 Burkett D6/545
- D634,953 S 3/2011 Meyerhoffer

(Continued)

- (73) Assignee: **Bradley Corporation**, Menomonee Falls, WI (US)
- (**) Term: **15 Years**

OTHER PUBLICATIONS

EMCO Liquid Soap Dispenser, <https://www.emco-bath.com/en/products/accessories/details/product/show/fluessigseifenspender-manuell-en/3521-001-04-chrome-en.html>.

(Continued)

Primary Examiner — Nathan M Johnston
(74) *Attorney, Agent, or Firm* — Boyle Fredrickson, S.C.

- (21) Appl. No.: **29/708,036**
- (22) Filed: **Oct. 2, 2019**
- (51) **LOC (13) Cl.** **23-02**
- (52) **U.S. Cl.** **D6/523**
- (58) **Field of Classification Search**
USPC D6/518–523, 515; D3/201; 206/389, 206/391, 407, 409; 312/34.1, 34.8; 211/16, 85.5, 59.2; 221/92, 97, 185, 282, 221/284; 242/159, 160.2, 550, 560, 590, 242/594, 59, 588, 598, 598.3, 598.65
CPC A47K 10/3836; A47K 10/38; A47K 2010/3863; A47K 2010/3253; A47K 10/36; A47K 10/40; A47K 10/22; A47K 10/32; A47K 10/34; A47K 10/3687; A47K 10/3827; A47K 10/3818; A47K 10/405; A47K 2010/3246; A47K 2010/326

- (57) **CLAIM**
The ornamental design for a toilet paper dispenser, substantially as shown and described.

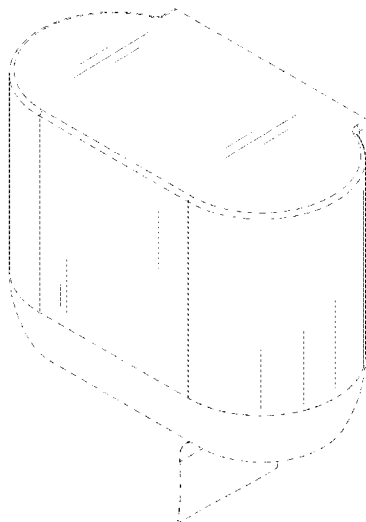
DESCRIPTION

FIG. 1 is a front, raised perspective view of a toilet paper dispenser according to the invention; FIG. 2 is a front view of the toilet paper dispenser of FIG. 1; FIG. 3 is a rear view of the toilet paper dispenser of FIG. 1; FIG. 4 is a right side view of the toilet paper dispenser of FIG. 1; FIG. 5 is a left side view of the toilet paper dispenser of FIG. 1; FIG. 6 is a top view of the toilet paper dispenser of FIG. 1; FIG. 7 is a bottom view of the toilet paper dispenser of FIG. 1; and, FIG. 8 is a front, lowered perspective view of the toilet paper dispenser of FIG. 1.

The broken lines shown in the drawings form no part of the claimed design. All surfaces not shown form no part of the claimed design.

1 Claim, 8 Drawing Sheets

- See application file for complete search history.
- (56) **References Cited**
U.S. PATENT DOCUMENTS
D445,284 S * 7/2001 Chen D6/545
D530,555 S 10/2006 Karraker et al.
D580,596 S * 11/2008 Hsu D28/54.1
D615,329 S 5/2010 Meyerhoffer



(56)

References Cited

U.S. PATENT DOCUMENTS

D641,578 S 7/2011 Meyerhoffer
 D648,585 S 11/2011 Meyerhoffer
 D653,888 S 2/2012 Velazquez et al.
 D687,653 S * 8/2013 Giovannoni D6/545
 D703,463 S 4/2014 Giovannoni
 D726,443 S 4/2015 Giovannoni
 D726,444 S 4/2015 Giovannoni
 D726,445 S 4/2015 Giovannoni
 D748,408 S * 2/2016 Toumazou D6/544
 D780,995 S * 3/2017 Ayre D28/54.1
 D790,873 S 7/2017 Ku et al.
 D796,866 S 9/2017 Johnson
 D796,867 S 9/2017 Johnson
 D796,868 S 9/2017 Johnson
 D809,819 S 2/2018 Johnson
 D811,120 S 2/2018 Johnson
 D811,770 S * 3/2018 Brownley D6/545
 D830,636 S 10/2018 Loong
 D840,171 S 2/2019 Buell et al.
 D840,712 S 2/2019 Buell et al.
 D840,713 S 2/2019 Buell et al.
 D855,348 S 8/2019 Buell et al.
 D869,193 S 12/2019 Peterson

D871,672 S 12/2019 Hongfei
 D888,458 S * 6/2020 Orban D6/518
 D901,930 S * 11/2020 Reilly D6/542
 2010/0224651 A1 * 9/2010 Zlatic A47K 5/122
 222/182
 2016/0113448 A1 * 4/2016 Larsson A47K 10/34
 222/173
 2020/0122946 A1 * 4/2020 Pare B65H 16/005

OTHER PUBLICATIONS

EMCO Liquid Soap Dispenser, <https://www.emco-bath.com/en/products/accessories/details/product/show/fluessigseifenspender-sensorgesteuert-en/3521-001-03-chrome-en.html>.
 EMCO Paper Towel Dispenser, <https://www.emco-bath.com/en/products/accessories/details/product/show/papierspender-en/3549-001-00-chrome-en.html>.
 EMCO Paper Holder, <https://www.emco-bath.com/en/products/accessories/details/product/show/papierhalter-2-fach-en/3500-001-04-chrome-en.html>.
 EMCO Paper Holder, <https://www.emco-bath.com/en/products/accessories/details/product/show/papierhalter-3-fach-en/3500-001-05-chrome-en.html>.

* cited by examiner

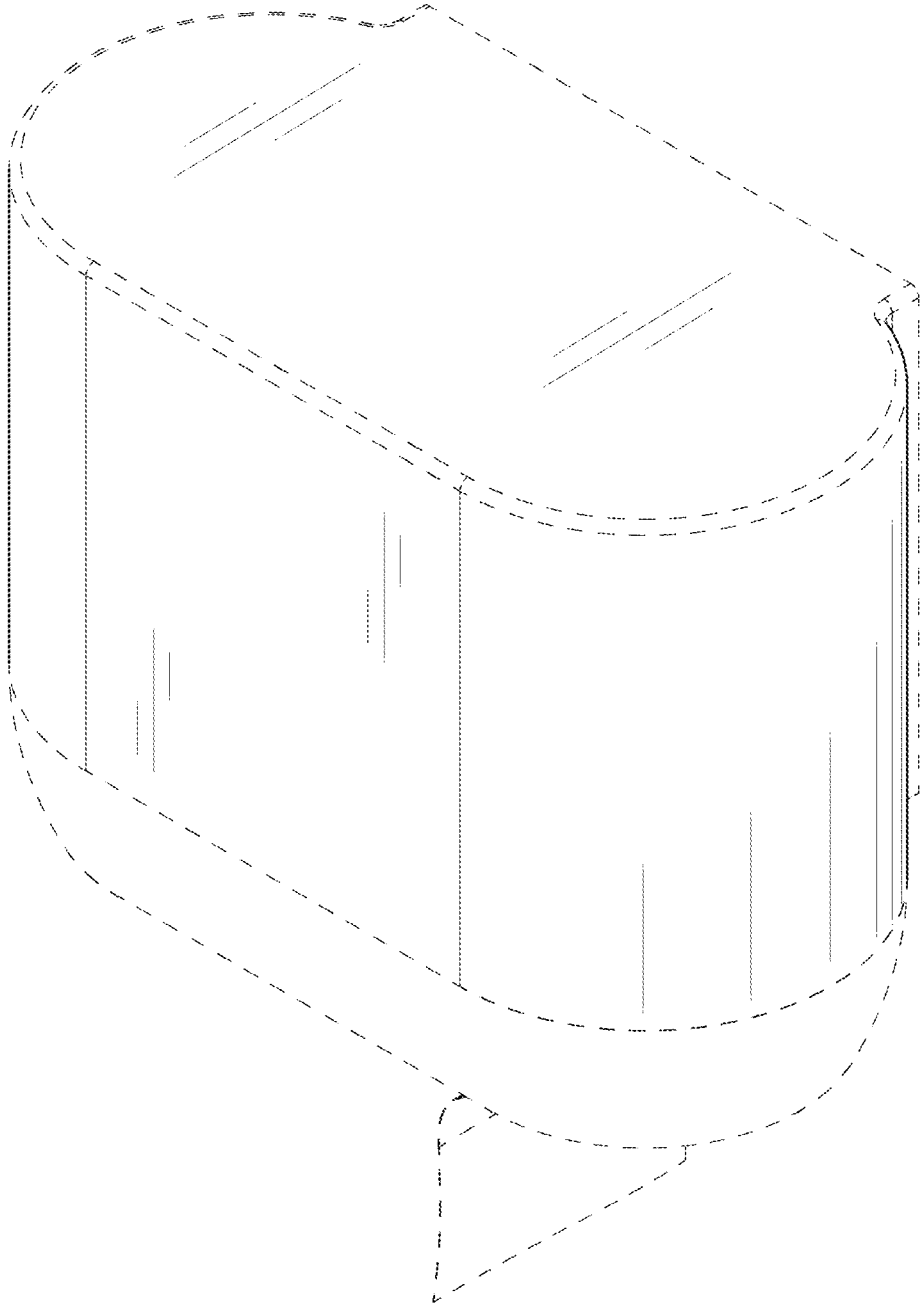


FIG. 1

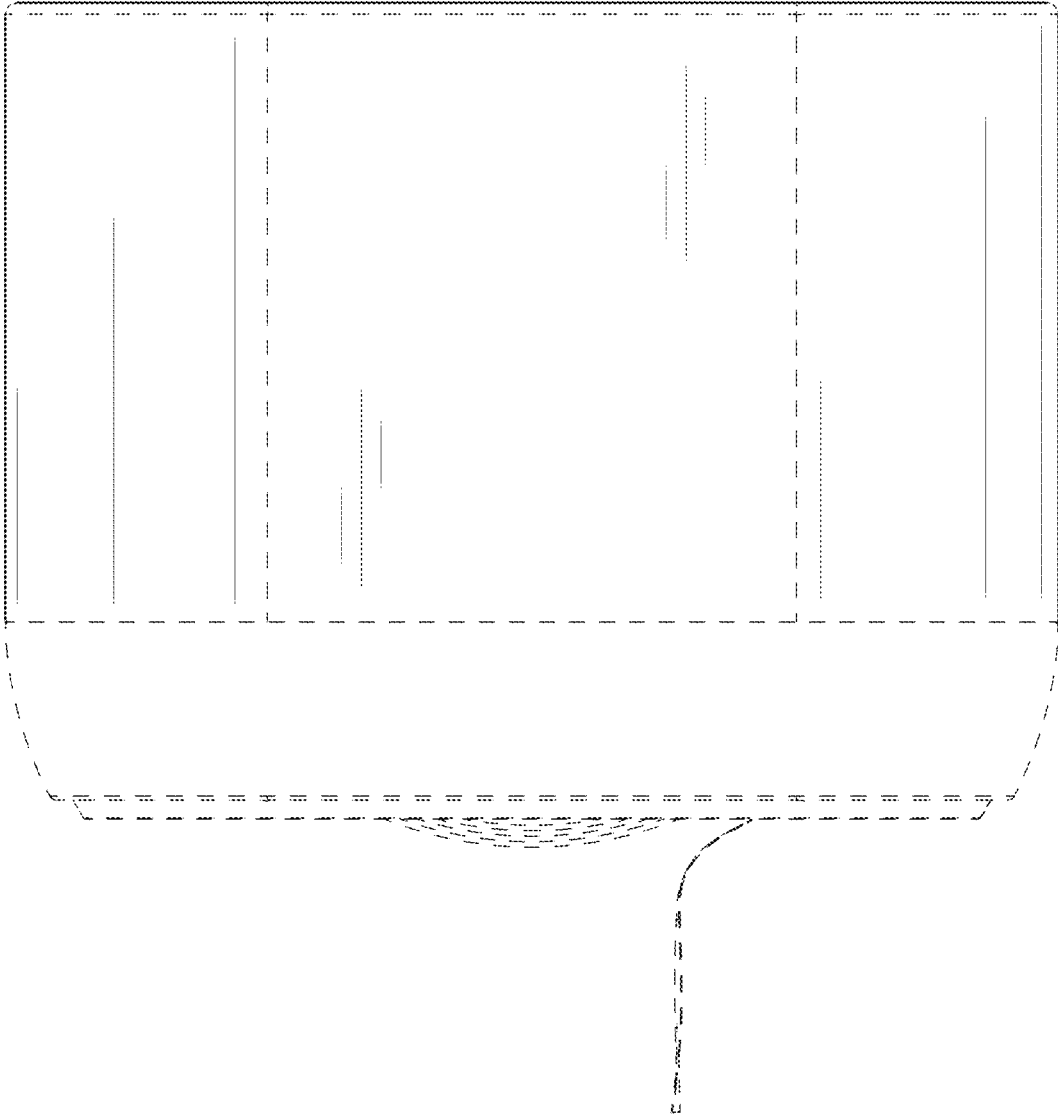


FIG. 2

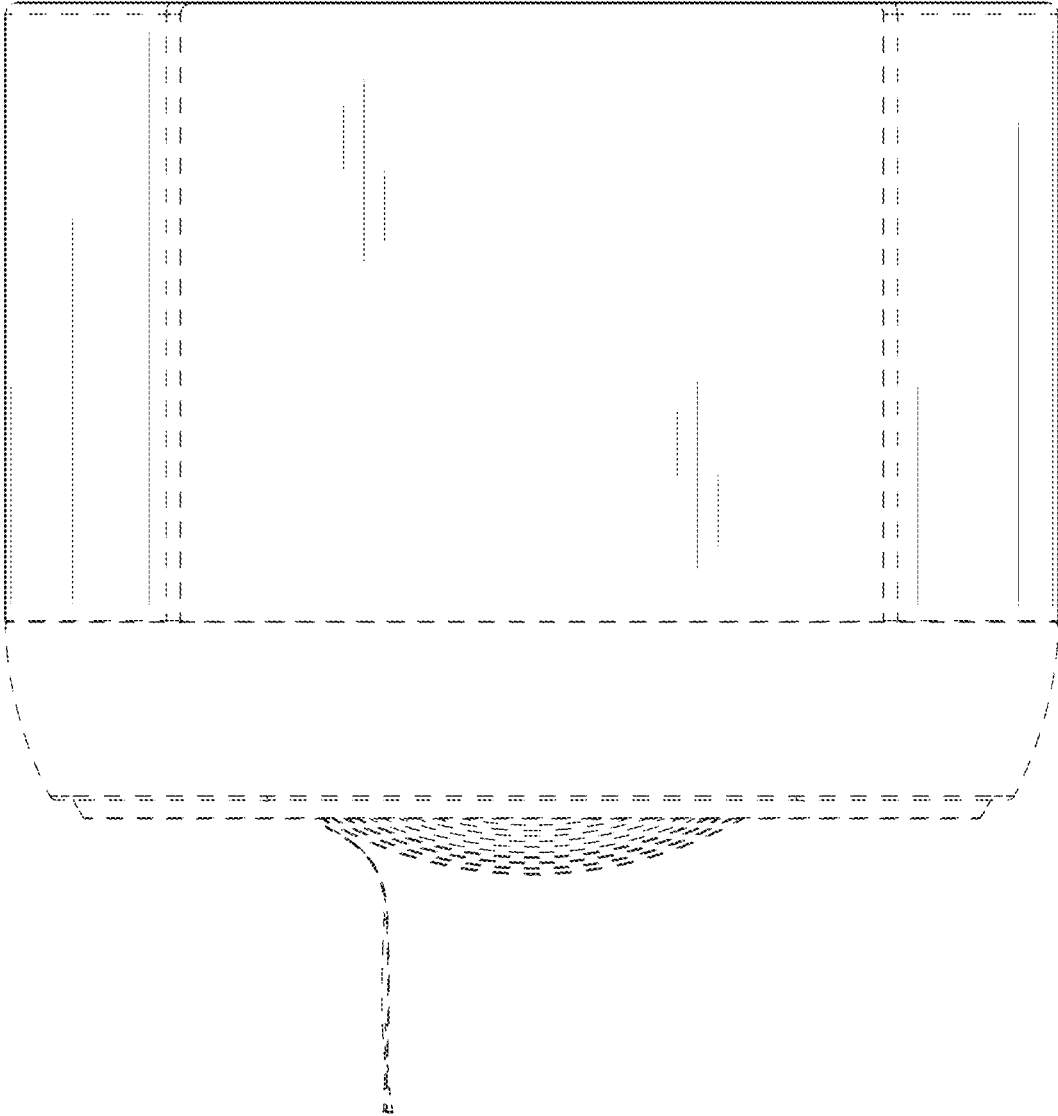


FIG. 3

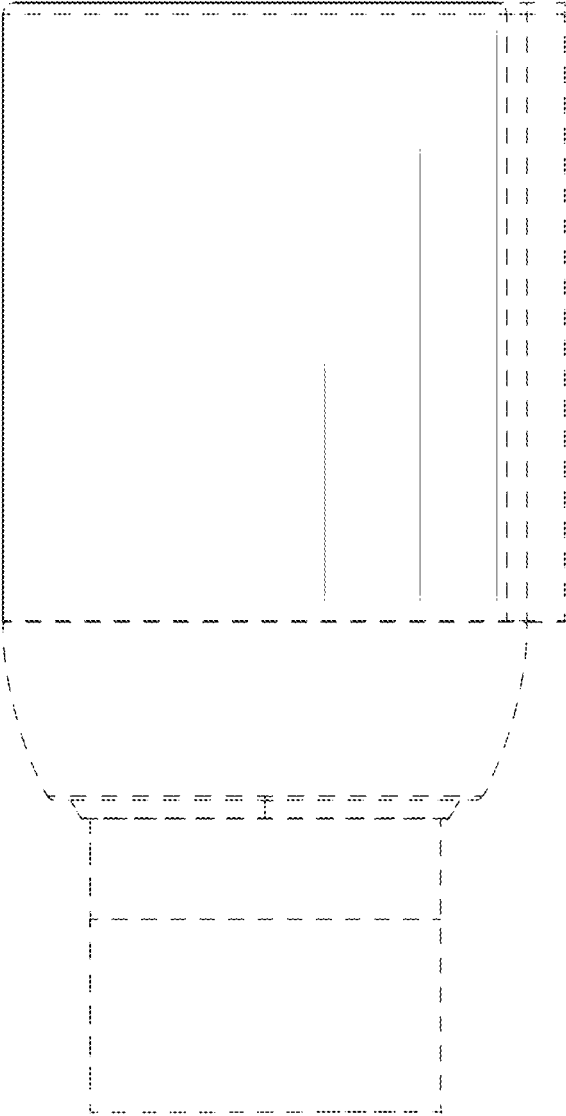


FIG. 4

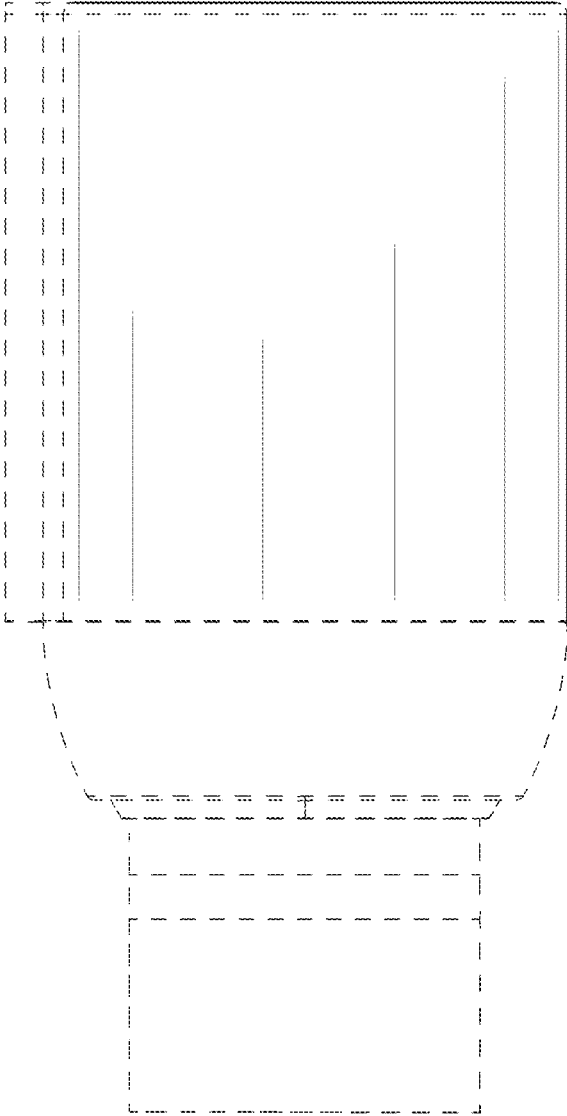


FIG. 5

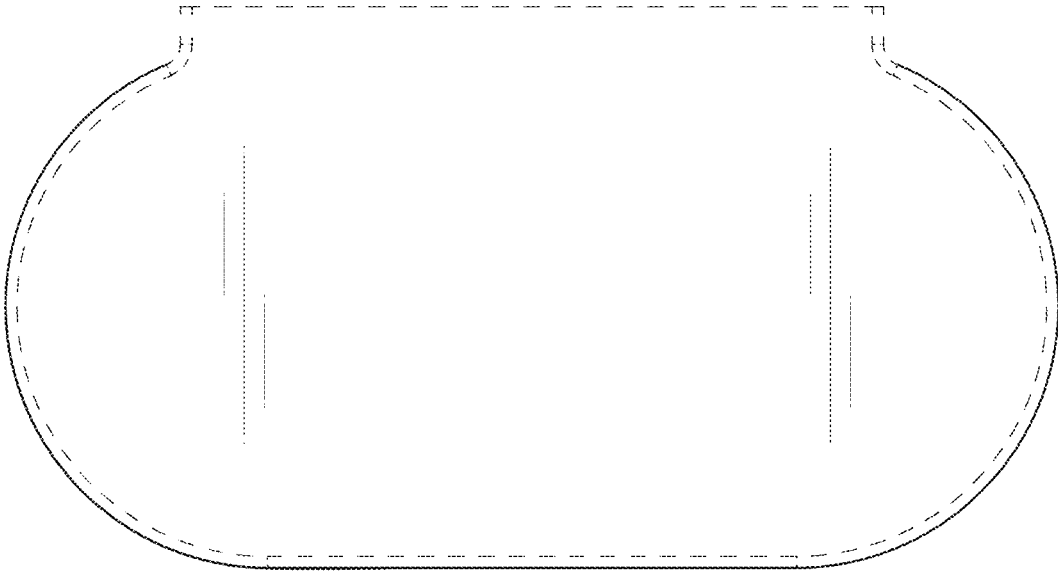


FIG. 6

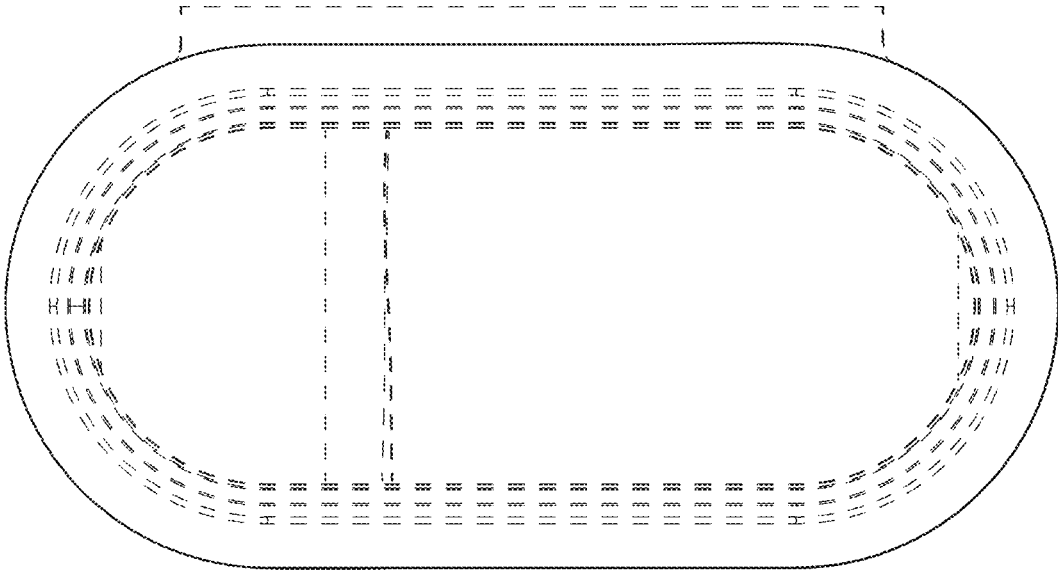


FIG. 7

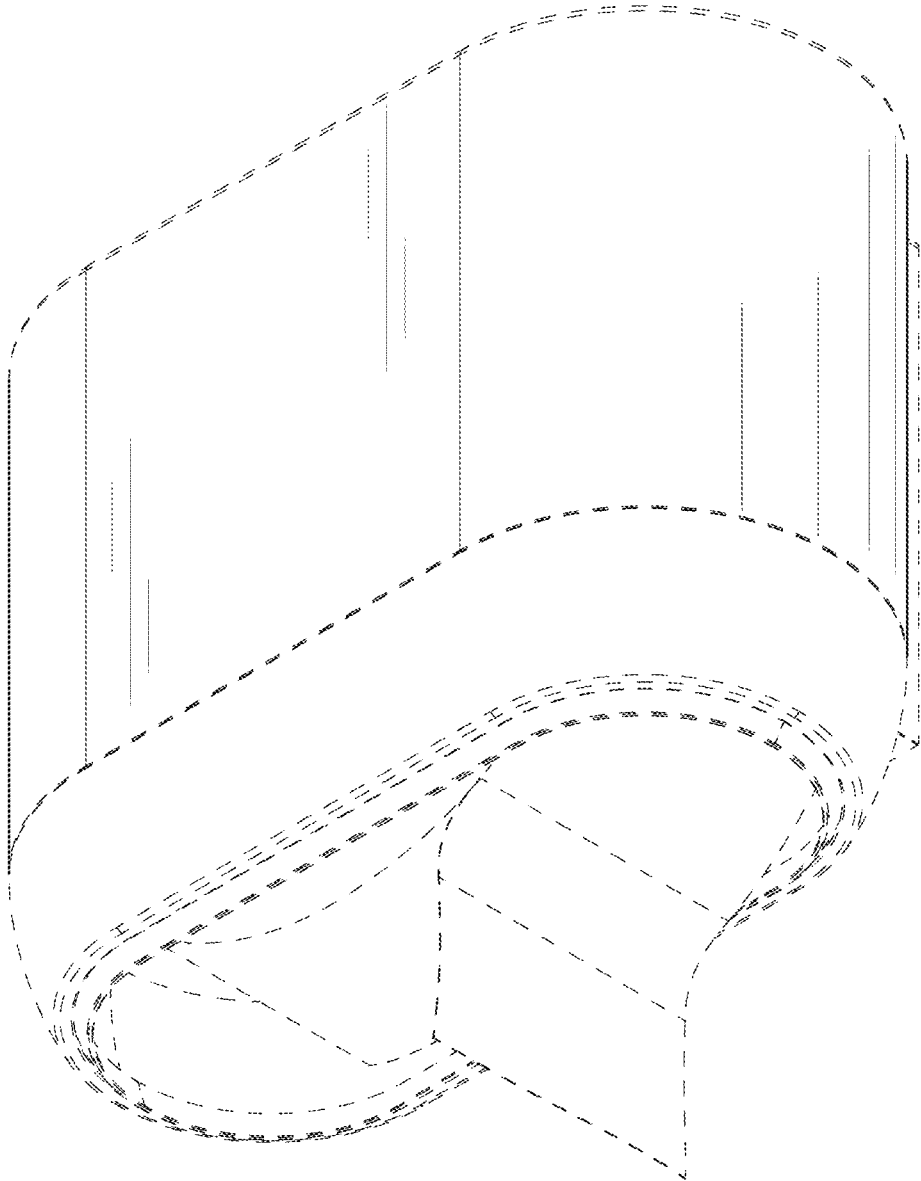


FIG. 8