



US00D851271S

(12) **United States Design Patent**
Burson

(10) **Patent No.:** **US D851,271 S**
(45) **Date of Patent:** **** Jun. 11, 2019**

- (54) **PHYSICAL THERAPY DEVICE**
- (71) Applicant: **Scott Kenneth Burson**, Seal Beach, CA (US)
- (72) Inventor: **Scott Kenneth Burson**, Seal Beach, CA (US)
- (**) Term: **15 Years**
- (21) Appl. No.: **29/646,586**
- (22) Filed: **May 4, 2018**

D215,057 S *	8/1969	Sun	D21/681
3,616,794 A *	11/1971	Gromala	A61H 15/0092
				482/132
D248,493 S *	7/1978	Moncrief	601/120
D249,363 S *	9/1978	Day	D21/684
D253,373 S *	11/1979	Celeste	601/121
D271,051 S *	10/1983	McCoy	D21/679
4,433,683 A *	2/1984	McCoy	A63B 21/05
				601/120
D281,815 S *	12/1985	Conn, Sr.	D24/211
4,832,006 A *	5/1989	Kirsch	A61H 1/008
				601/122
D306,886 S *	3/1990	Shiek	D21/662
5,170,778 A *	12/1992	Jamis	A61H 15/00
				601/121
D333,871 S *	3/1993	Grenko	D24/211
D352,786 S *	11/1994	Hwang	D24/211
D405,887 S *	2/1999	Antoskow	D24/211
D405,888 S *	2/1999	Antoskow	D24/211
D408,081 S *	4/1999	Chen	D24/211
D527,830 S *	9/2006	Chien	D24/211

- Related U.S. Application Data**
- (63) Continuation of application No. 14/920,083, filed on Oct. 22, 2015, now abandoned.
- (51) **LOC (11) Cl.** **28-03**
- (52) **U.S. Cl.**
USPC **D24/211**
- (58) **Field of Classification Search**
USPC D24/200, 211, 212, 213, 214, 215;
601/19, 27-32, 46-48, 52, 99, 112-113,
601/118, 135, 137, DIG. 12, DIG. 14,
601/DIG. 15, DIG. 16, DIG. 17;
D30/160; D21/681, 682
CPC A61H 19/00; A61H 19/30; A61H 19/32;
A61H 19/34; A61H 19/40; A61H 19/44;
A61H 19/50; A61H 2015/0007; A61H
2015/0014; A61H 2015/0042; A61H
15/00; A61H 7/003; A61H 7/005
See application file for complete search history.

(Continued)

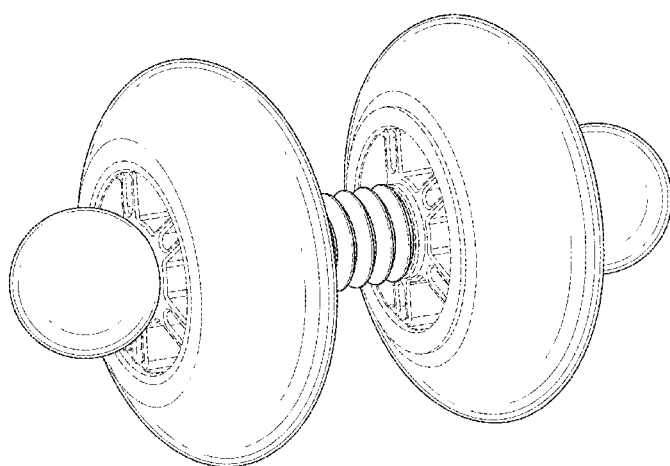
Primary Examiner — Sandra S Snapp
(74) *Attorney, Agent, or Firm* — Chang & Hale LLP

- (56) **References Cited**
U.S. PATENT DOCUMENTS
2,286,324 A * 6/1942 Wentz A61H 15/0092
16/110.1
D206,512 S * 12/1966 Waldeck D24/211
3,403,906 A * 10/1968 Burzenski A63B 22/20
482/108

(57) **CLAIM**
The ornamental design for a physical therapy device, as shown and described.

DESCRIPTION
FIG. 1 is a perspective view of a physical therapy device showing the new design;
FIG. 2 is a front view thereof, wherein a rear view, a top view, and a bottom view thereof are identical; and,
FIG. 3 is a right side view thereof, wherein a left side view thereof is identical.
The broken lines in the drawings depict portions of the physical therapy device and form no part of the claimed design.

1 Claim, 2 Drawing Sheets



(56)

References Cited

U.S. PATENT DOCUMENTS

7,645,248	B2 *	1/2010	Brown	A61H 15/00 601/122
D654,970	S *	2/2012	Daves	D21/662
D718,461	S *	11/2014	Sato	D24/215
D754,868	S *	4/2016	Hendrickson	D24/211
D758,603	S *	6/2016	Phillips	D24/215
D800,329	S *	10/2017	Cheng	D24/211
D802,781	S *	11/2017	Moorehead	D24/211
D804,048	S *	11/2017	Winkley	D24/215
D805,210	S *	12/2017	Leier	D24/211
D812,239	S *	3/2018	Rosenberg	D24/211
2006/0235345	A1 *	10/2006	Ivanov	A61H 7/002 601/138

* cited by examiner

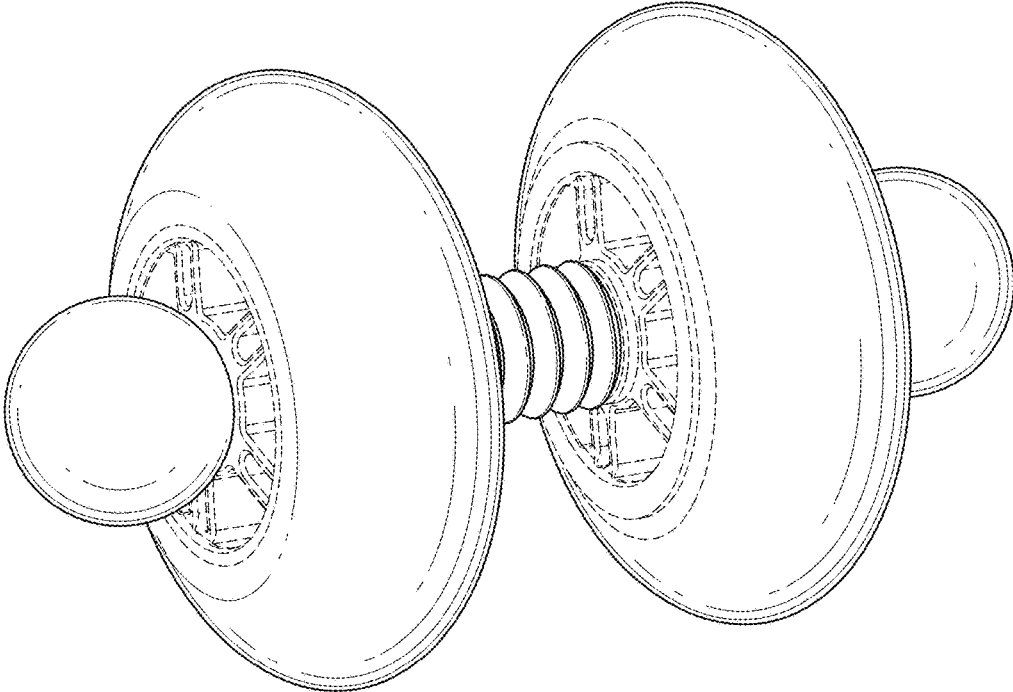


FIG. 1

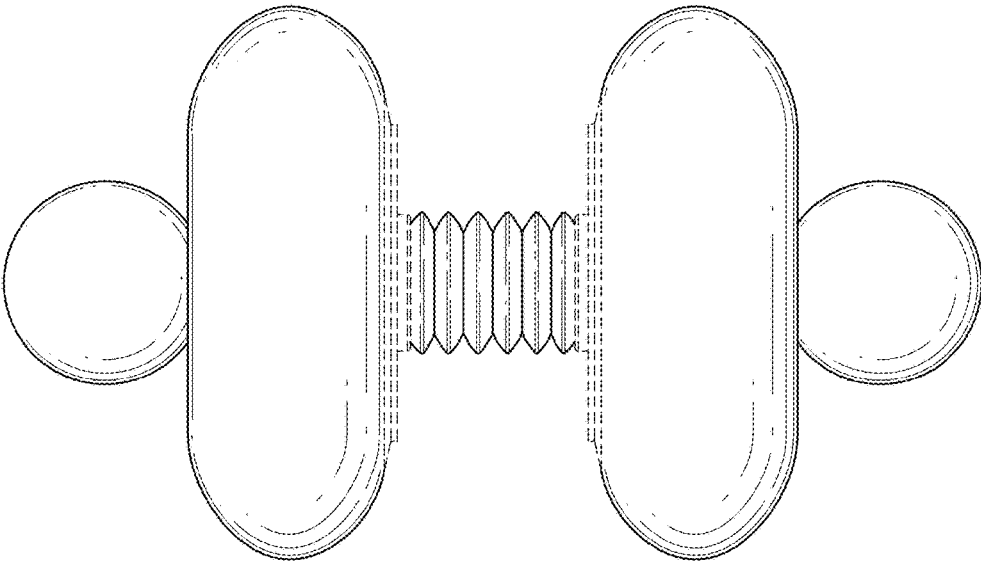


FIG. 2

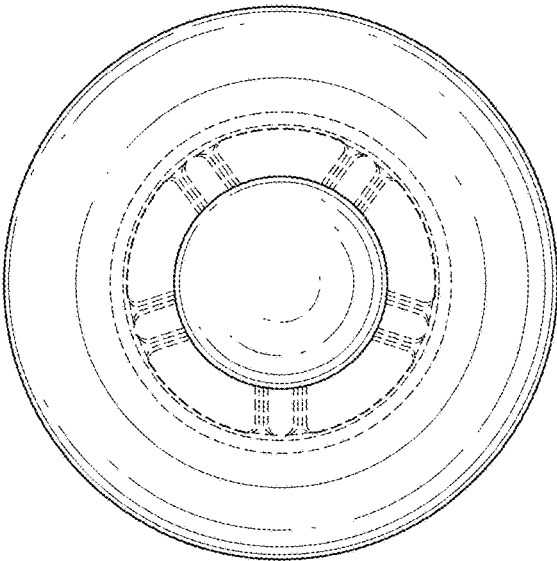


FIG. 3