



US00D924082S

(12) **United States Design Patent**
Silberberg

(10) **Patent No.:** **US D924,082 S**

(45) **Date of Patent:** **** Jul. 6, 2021**

- (54) **MAGNETIC LEVEL**
- (71) Applicant: **Mark L. Silberberg**, Boerne, TX (US)
- (72) Inventor: **Mark L. Silberberg**, Boerne, TX (US)
- (**) Term: **15 Years**
- (21) Appl. No.: **29/757,891**
- (22) Filed: **Nov. 10, 2020**

D722,511 S	2/2015	Silberberg	
D722,512 S	2/2015	Silberberg	
D722,513 S	2/2015	Silberberg	
D722,514 S	2/2015	Silberberg	
D722,897 S	2/2015	Silberberg	
D730,206 S	5/2015	Silberberg	
9,021,710 B2	5/2015	Silberberg	
9,097,277 B2	8/2015	Johnson et al.	
9,151,606 B2	10/2015	Silberberg	
9,360,315 B2	6/2016	Silberberg	
9,551,574 B2	1/2017	Silberberg	
9,909,869 B1 *	3/2018	Lovelady, III G01C 9/34
10,352,497 B2	7/2019	Yokiel et al.	
D896,110 S *	9/2020	Vera G01C 9/28
			D10/69
10,976,159 B1 *	4/2021	Silberberg G01C 9/28
2008/0222907 A1 *	9/2008	Silberberg G01C 9/28
			33/379
2014/0007439 A1	1/2014	Silberberg	
2015/0096182 A1	4/2015	Silberberg	
2015/0308820 A1	10/2015	Silberberg	

Related U.S. Application Data

- (62) Division of application No. 29/743,324, filed on Jul. 21, 2020, now Pat. No. Des. 913,131.
- (51) **LOC (13) Cl.** **10-04**
- (52) **U.S. Cl.**
USPC **D10/69**
- (58) **Field of Classification Search**
USPC D10/69
CPC ... G01C 9/24; G01C 9/26; G01C 9/28; G01C 9/30; G01C 9/32; G01C 9/34; G01C 9/36
See application file for complete search history.

* cited by examiner

Primary Examiner — Antoine Duval Davis
(74) *Attorney, Agent, or Firm* — Volk & McElroy, LLP;
Michael D. Volk, Jr.

(56) **References Cited**

U.S. PATENT DOCUMENTS

D182,773 S *	5/1958	Souter G01C 9/34
			D10/62
D494,075 S	8/2004	Chen	
D509,158 S	9/2005	Silberberg	
D538,186 S	3/2007	Silberberg	
D576,063 S	9/2008	Silberberg	
D595,165 S	6/2009	Silberberg	
D644,945 S	9/2011	Silberberg	
D644,946 S	9/2011	Silberberg	
D644,947 S	9/2011	Silberberg	
D694,136 S	11/2013	Silberberg	
D719,470 S	12/2014	Silberberg	
D722,509 S	2/2015	Silberberg	
D722,510 S	2/2015	Silberberg	

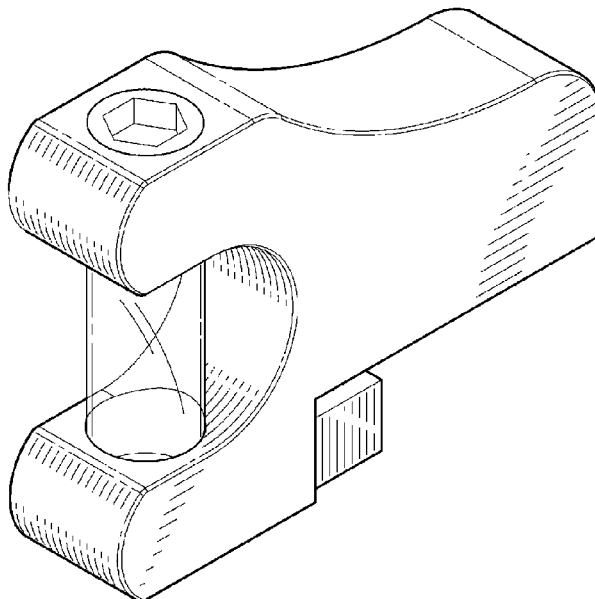
(57) **CLAIM**

The ornamental design for a magnetic level, as shown.

DESCRIPTION

FIG. 1 is a perspective view of a magnetic level showing my new design.
FIG. 2 is a right side view thereof.
FIG. 3 is a left side view thereof.
FIG. 4 is a front view thereof.
FIG. 5 is a rear view thereof.
FIG. 6 is a top view thereof; and,
FIG. 7 is a bottom view thereof.

1 Claim, 3 Drawing Sheets



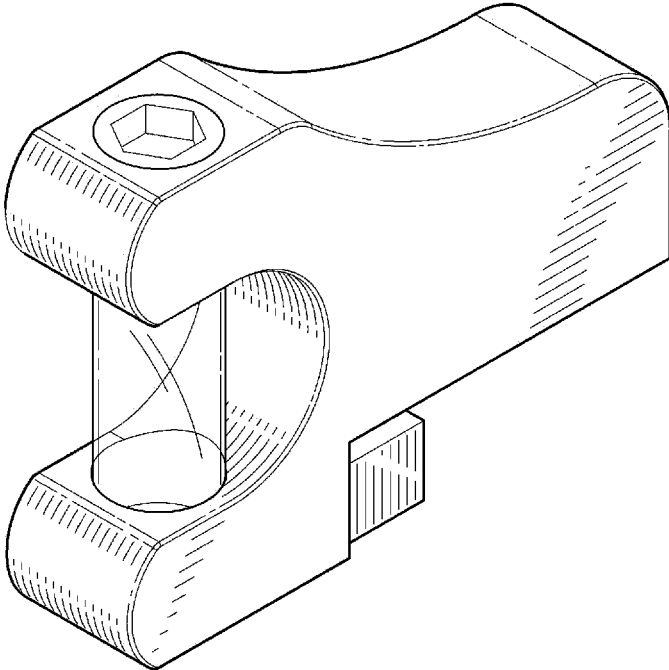


FIG. 1

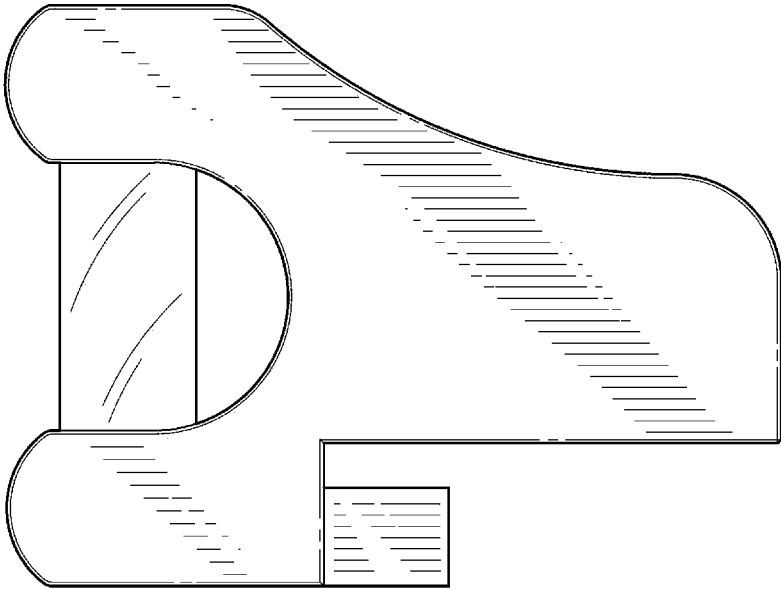


FIG. 2

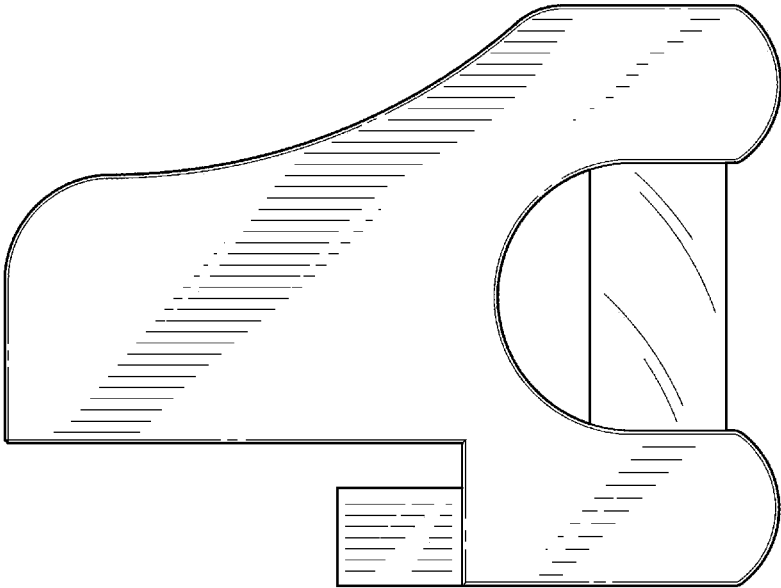


FIG. 3

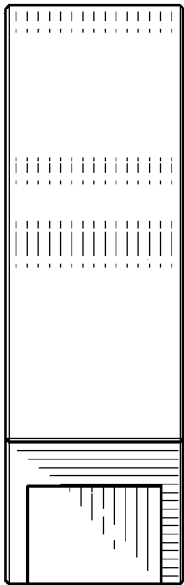


FIG. 4

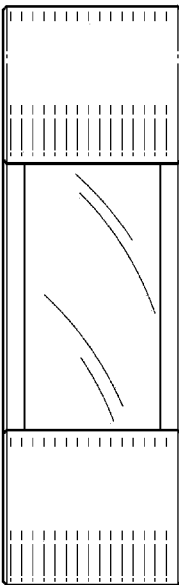


FIG. 5

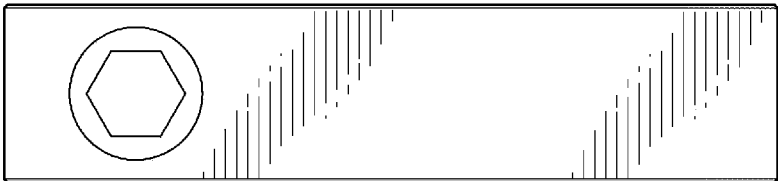


FIG. 6

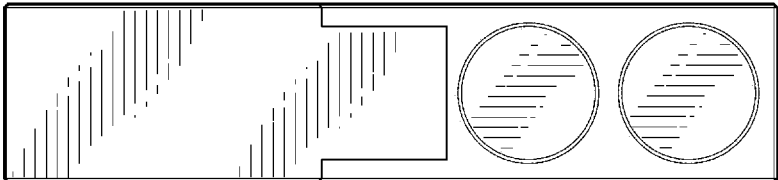


FIG. 7