



(51) International Patent Classification:

A47B 88/12 (2006.01) A47B 88/00 (2006.01)
A47B 88/04 (2006.01)

(21) International Application Number:

PCT/US2010/032623

(22) International Filing Date:

27 April 2010 (27.04.2010)

(25) Filing Language:

English

(26) Publication Language:

English

(30) Priority Data:

61/173,097 27 April 2009 (27.04.2009) US

(71) Applicant (for all designated States except US): **ACCURIDE INTERNATIONAL INC.** [US/US]; 12311 Shoemaker Avenue, Santa Fe Springs, California 90670 (US).

(72) Inventors; and

(75) Inventors/Applicants (for US only): **HASHEMI, Darush David** [US/US]; 19662 Torres Way, Trabuco Canyon, California 92679 (US). **ZHOU, Xiaoping** [CN/US]; 12818 Pinheiro Place, Baldwin Park, California 91706 (US). **WANG, Xiwen** [CN/US]; 3023 Allenton Ave., Hacienda Heights, California 91745 (US).

(74) Agents: **CAVANAGH, Daniel M.** et al.; 18200 Von Karman Avenue, Suite 725, Irvine, California 92612 (US).

(81) Designated States (unless otherwise indicated, for every kind of national protection available): AE, AG, AL, AM, AO, AT, AU, AZ, BA, BB, BG, BH, BR, BW, BY, BZ, CA, CH, CL, CN, CO, CR, CU, CZ, DE, DK, DM, DO,

DZ, EC, EE, EG, ES, FI, GB, GD, GE, GH, GM, GT, HN, HR, HU, ID, IL, IN, IS, JP, KE, KG, KM, KN, KP, KR, KZ, LA, LC, LK, LR, LS, LT, LU, LY, MA, MD, ME, MG, MK, MN, MW, MX, MY, MZ, NA, NG, NI, NO, NZ, OM, PE, PG, PH, PL, PT, RO, RS, RU, SC, SD, SE, SG, SK, SL, SM, ST, SV, SY, TH, TJ, TM, TN, TR, TT, TZ, UA, UG, US, UZ, VC, VN, ZA, ZM, ZW.

(84) Designated States (unless otherwise indicated, for every kind of regional protection available): ARIPO (BW, GH, GM, KE, LR, LS, MW, MZ, NA, SD, SL, SZ, TZ, UG, ZM, ZW), Eurasian (AM, AZ, BY, KG, KZ, MD, RU, TJ, TM), European (AT, BE, BG, CH, CY, CZ, DE, DK, EE, ES, FI, FR, GB, GR, HR, HU, IE, IS, IT, LT, LU, LV, MC, MK, MT, NL, NO, PL, PT, RO, SE, SI, SK, SM, TR), OAPI (BF, BJ, CF, CG, CI, CM, GA, GN, GQ, GW, ML, MR, NE, SN, TD, TG).

Declarations under Rule 4.17:

- as to applicant's entitlement to apply for and be granted a patent (Rule 4.17(ii))
- as to the applicant's entitlement to claim the priority of the earlier application (Rule 4.17(iii))

Published:

- with international search report (Art. 21(3))
- before the expiration of the time limit for amending the claims and to be republished in the event of receipt of amendments (Rule 48.2(h))

(88) Date of publication of the international search report:

31 March 2011

(54) Title: DRAWER SLIDE AND LOCKING MECHANISM

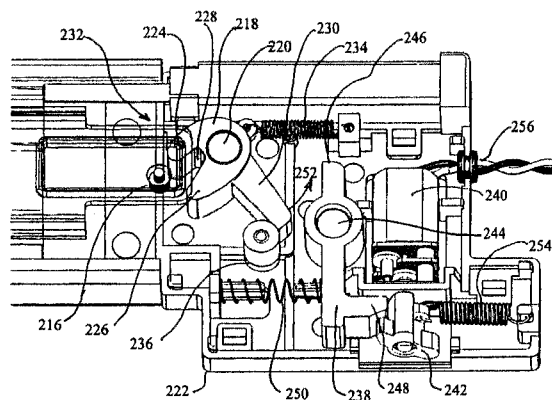


FIG. 2

(57) Abstract: A drawer slide with lock mechanism has an elongated outer slide member extendably coupled to an inner slide member. A latch arm or pin is fixed to the inner slide member for latching by a lock mechanism fixed to the outer slide member. The lock mechanism uses a latch receiver that rotates with respect to the lock mechanism and is in a travel path of the latch arm. A lever arm rotates with respect to the lock mechanism and is positionable to block rotation of the latch receiver in a locked position to retain the latch arm. A motor drives a cam to position the lever arm to free the latch receiver from the locked position.



WO 2010/129303 A3

A. CLASSIFICATION OF SUBJECT MATTER*A47B 88/12(2006.01)i, A47B 88/04(2006.01)i, A47B 88/00(2006.01)i*

According to International Patent Classification (IPC) or to both national classification and IPC

B. FIELDS SEARCHED

Minimum documentation searched (classification system followed by classification symbols)

A47B 88/12; E05G 1/026; E05C 17/56; E05C 19/00; E05B 65/46; E05G 1/00; A47B 88/00; A47B 67/04

Documentation searched other than minimum documentation to the extent that such documents are included in the fields searched

Korean utility models and applications for utility models

Japanese utility models and applications for utility models

Electronic data base consulted during the international search (name of data base and, where practicable, search terms used)

eKOMPASS(KIPO internal) & Keywords:drawer,locking, cabinet, and latch

C. DOCUMENTS CONSIDERED TO BE RELEVANT

| Category* | Citation of document, with indication, where appropriate, of the relevant passages | Relevant to claim No. |
|-------------|--|---|
| X Y A | KR 20-0440074 Y1 (KIM, YOUNG SHIN) 28 May 2008 See claims 1 - 2 and figures 2 - 5. | 1-9, 10, 12, 13, 14-15 ,16-17,21 27 11, 18-20, 22-26 |
| Y | JP 10-215960 A (DAISHIN KOGYO KK) 18 August 1998 See claims 1 - 3; figure 1. | 27 |
| A | US 5518282 A1 (SAWADA; HIROSHI) 21 May 1996 See column 4, line 14 - column 5, line 60; figures 4 - 6. | 1-27 |
| A | JP 08-289821 A (KYOEI KOGYO KK) 05 November 1996 See claims 1 - 2; figures 8 and 10. | 1-27 |

 Further documents are listed in the continuation of Box C. See patent family annex.

* Special categories of cited documents:

"A" document defining the general state of the art which is not considered to be of particular relevance

"E" earlier application or patent but published on or after the international filing date

"L" document which may throw doubts on priority claim(s) or which is cited to establish the publication date of citation or other special reason (as specified)

"O" document referring to an oral disclosure, use, exhibition or other means

"P" document published prior to the international filing date but later than the priority date claimed

"T" later document published after the international filing date or priority date and not in conflict with the application but cited to understand the principle or theory underlying the invention

"X" document of particular relevance; the claimed invention cannot be considered novel or cannot be considered to involve an inventive step when the document is taken alone

"Y" document of particular relevance; the claimed invention cannot be considered to involve an inventive step when the document is combined with one or more other such documents, such combination being obvious to a person skilled in the art

"&" document member of the same patent family

Date of the actual completion of the international search

28 JANUARY 2011 (28.01.2011)

Date of mailing of the international search report

28 JANUARY 2011 (28.01.2011)

Name and mailing address of the ISA/KR

Korean Intellectual Property Office
Government Complex-Daejeon, 139 Seonsa-ro, Seo-
gu, Daejeon 302-701, Republic of Korea

Facsimile No. 82-42-472-7140

Authorized officer

Moon Ji Hee

Telephone No. 82-42-481-8727



INTERNATIONAL SEARCH REPORT

Information on patent family members

International application No.

PCT/US2010/032623

| Patent document cited in search report | Publication date | Patent family member(s) | Publication date |
|--|------------------|-------------------------|------------------|
| KR 20-0440074 Y1 | 28.05.2008 | None | |
| JP 10-215960 A | 18.08.1998 | None | |
| US 5518282 A1 | 21.05.1996 | None | |
| JP 08-289821 A | 05.11.1996 | None | |