



US00D861065S

(12) **United States Design Patent**  
**Chih**

(10) **Patent No.:** **US D861,065 S**

(45) **Date of Patent:** **\*\* Sep. 24, 2019**

(54) **PRINTER**

(71) Applicant: **SATO HOLDINGS KABUSHIKI KAISHA**, Tokyo (JP)

(72) Inventor: **Lin Sheng Chih**, New Taipei (TW)

(73) Assignee: **SATO HOLDINGS KABUSHIKI KAISHA**, Tokyo (JP)

(\*\*) Term: **15 Years**

(21) Appl. No.: **35/504,972**

(22) Filed: **Nov. 17, 2017**

(80) **Hague Agreement Data**

Int. Filing Date: **Nov. 17, 2017**

Int. Reg. No.: **DM/098616**

Int. Reg. Date: **Nov. 17, 2017**

Int. Reg. Pub. Date: **May 18, 2018**

(30) **Foreign Application Priority Data**

May 19, 2017 (JP) ..... 2017-010740

May 19, 2017 (JP) ..... 2017-010741

(51) **LOC (12) Cl.** ..... **18-99**

(52) **U.S. Cl.**

USPC ..... **D18/19**

CPC ..... **B41J 15/042** (2013.01)

(58) **Field of Classification Search**

USPC ..... D18/14-21, 50-59; D19/65

CPC ..... B41J 15/048; B41J 15/042; B41J 2202/34

See application file for complete search history.

(56) **References Cited**

**U.S. PATENT DOCUMENTS**

D327,087 S \* 6/1992 Ivester ..... D18/54

D422,631 S \* 4/2000 Toriyama ..... D18/50

D530,361 S \* 10/2006 Chambers ..... D18/50

D607,503 S \* 1/2010 Hyakumoto ..... D18/19

D677,720 S \* 3/2013 Tanaka ..... D18/55

D750,162 S *	2/2016	Ozawa	.....	D18/19
D752,137 S *	3/2016	Mita	.....	D18/19
D753,217 S *	4/2016	Ozawa	.....	D18/50
D768,235 S *	10/2016	Ozawa	.....	D18/56
D775,275 S *	12/2016	Takahashi	.....	D18/50
D799,589 S *	10/2017	Maeda	.....	D18/19
D800,830 S *	10/2017	Maeda	.....	D18/19
D812,132 S *	3/2018	Ozawa	.....	D18/19
D812,678 S *	3/2018	Ozawa	.....	D18/19
D813,297 S *	3/2018	Nishikawa	.....	D18/50
D820,351 S *	6/2018	Maeda	.....	D18/19
D822,098 S *	7/2018	Maeda	.....	D18/19
D850,527 S *	6/2019	Tanaka	.....	D18/19

(Continued)

*Primary Examiner* — Richard E Chilcot

(74) *Attorney, Agent, or Firm* — Andrew F. Young, Esq.;  
Lackebach Siegel, LLP

(57) **CLAIM**

The ornamental design for a printer, as shown and described.

**DESCRIPTION**

1.-2. Printer

1.1 : Perspective

1.2 : Perspective

1.3 : Front

1.4 : Back

1.5 : Top

1.6 : Bottom

1.7 : Right

1.8 : Left

2.1 : Perspective

2.2 : Perspective

2.3 : Front

2.4 : Back

2.5 : Top

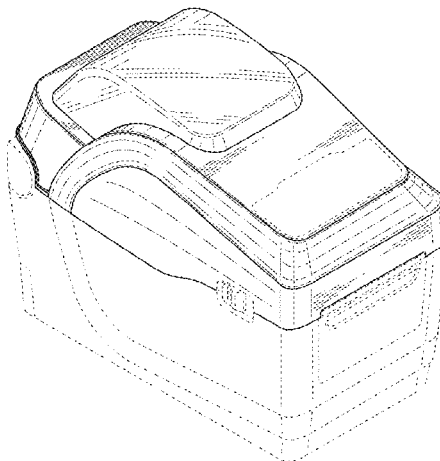
2.6 : Bottom

2.7 : Right

2.8 : Left

Representation: The dash-dash disclaim lines in FIGS. 2.1-2.8 represent environmental portions for which no claim is made.

**1 Claim, 16 Drawing Sheets**



(56)

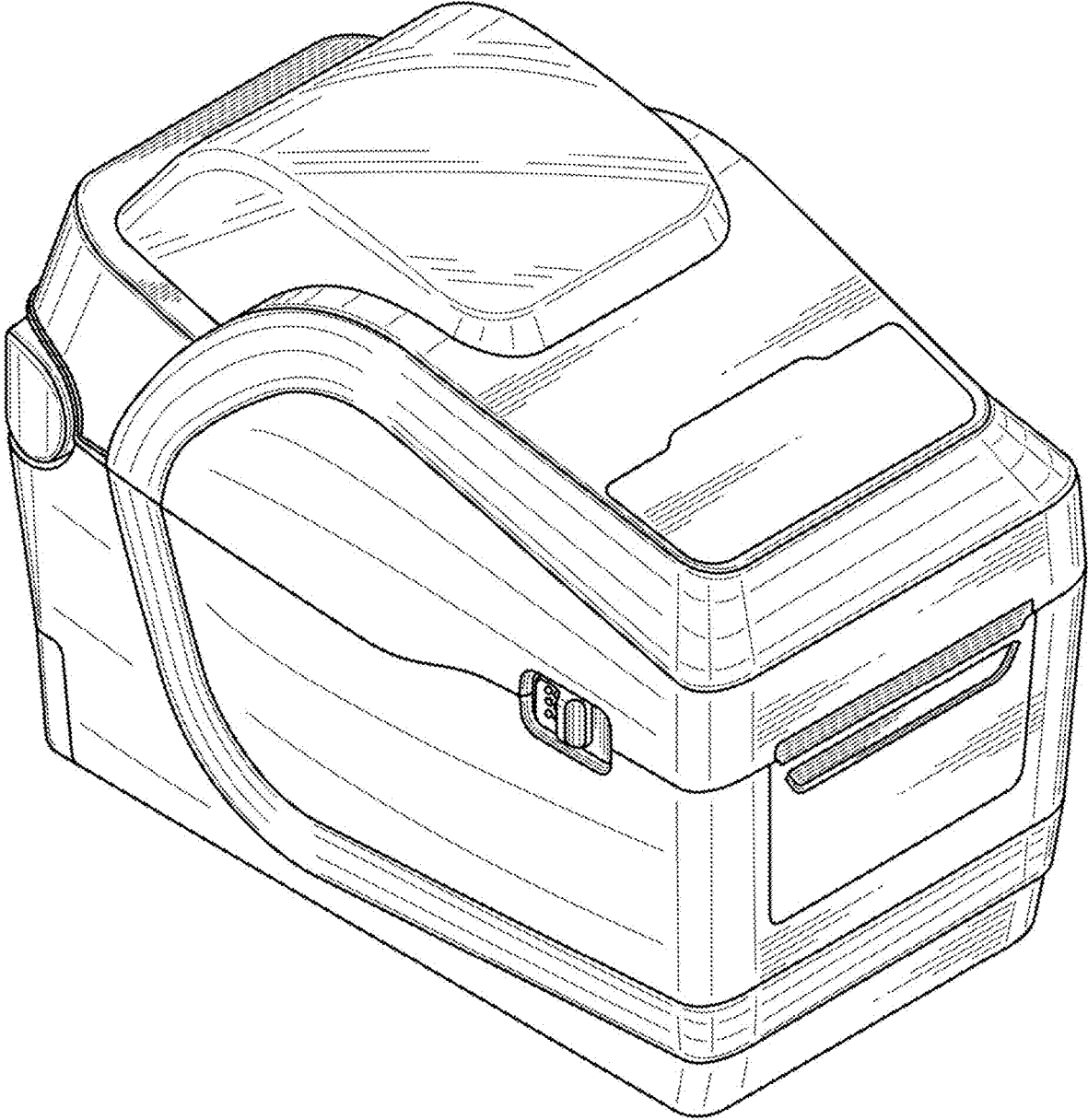
**References Cited**

U.S. PATENT DOCUMENTS

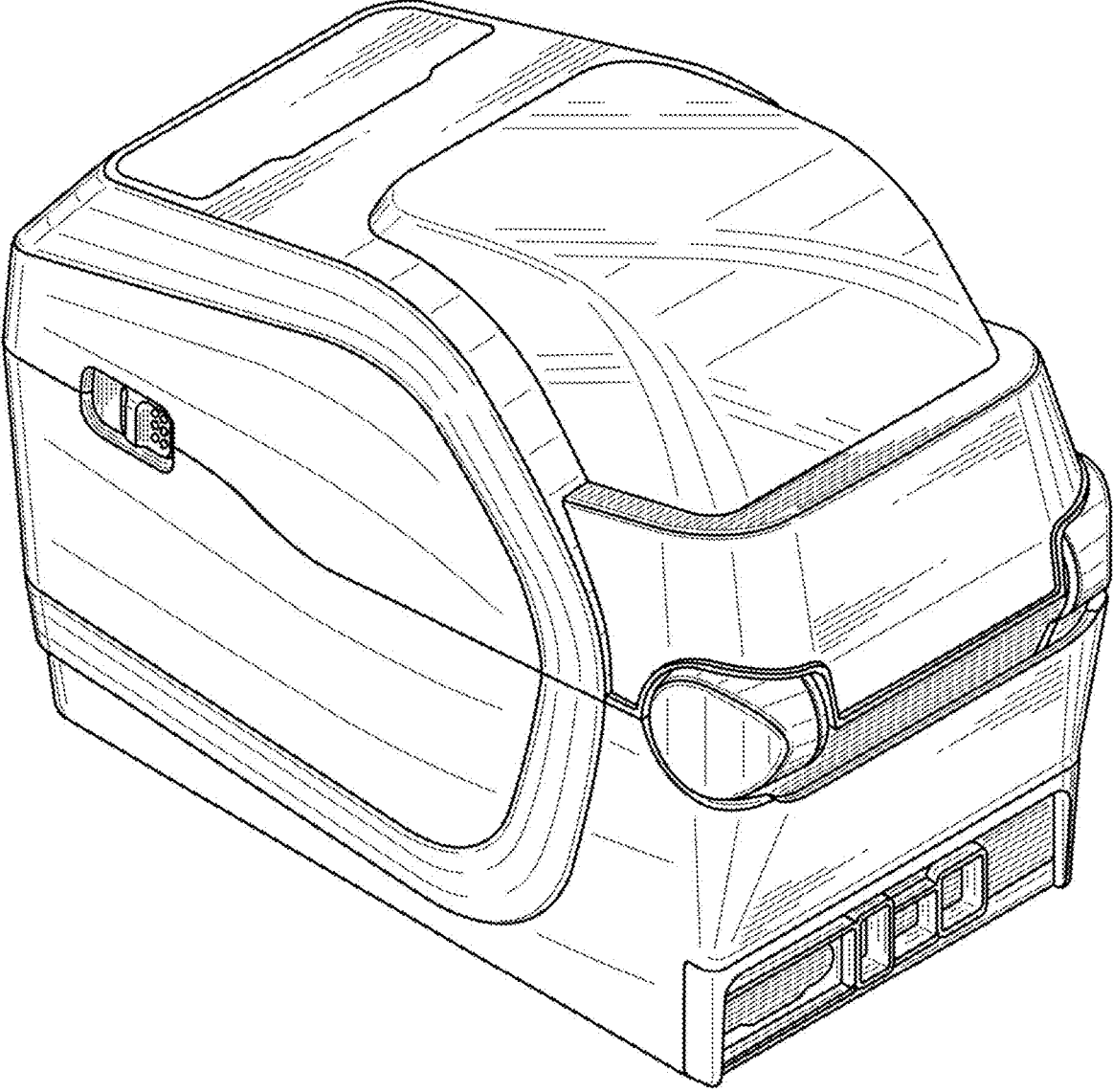
2017/0072718 A1\* 3/2017 Watanabe ..... B41J 15/042  
2017/0348983 A1\* 12/2017 Suzuki ..... B41J 3/4075

\* cited by examiner

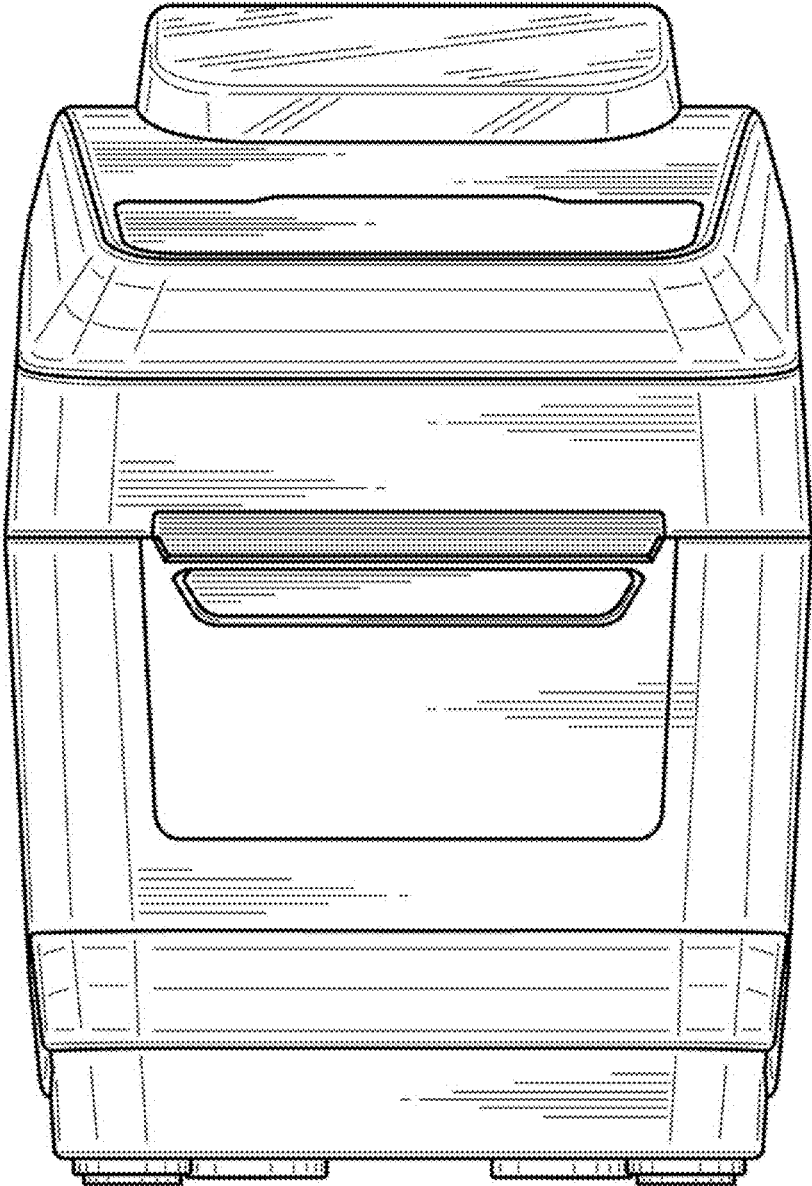
1.1



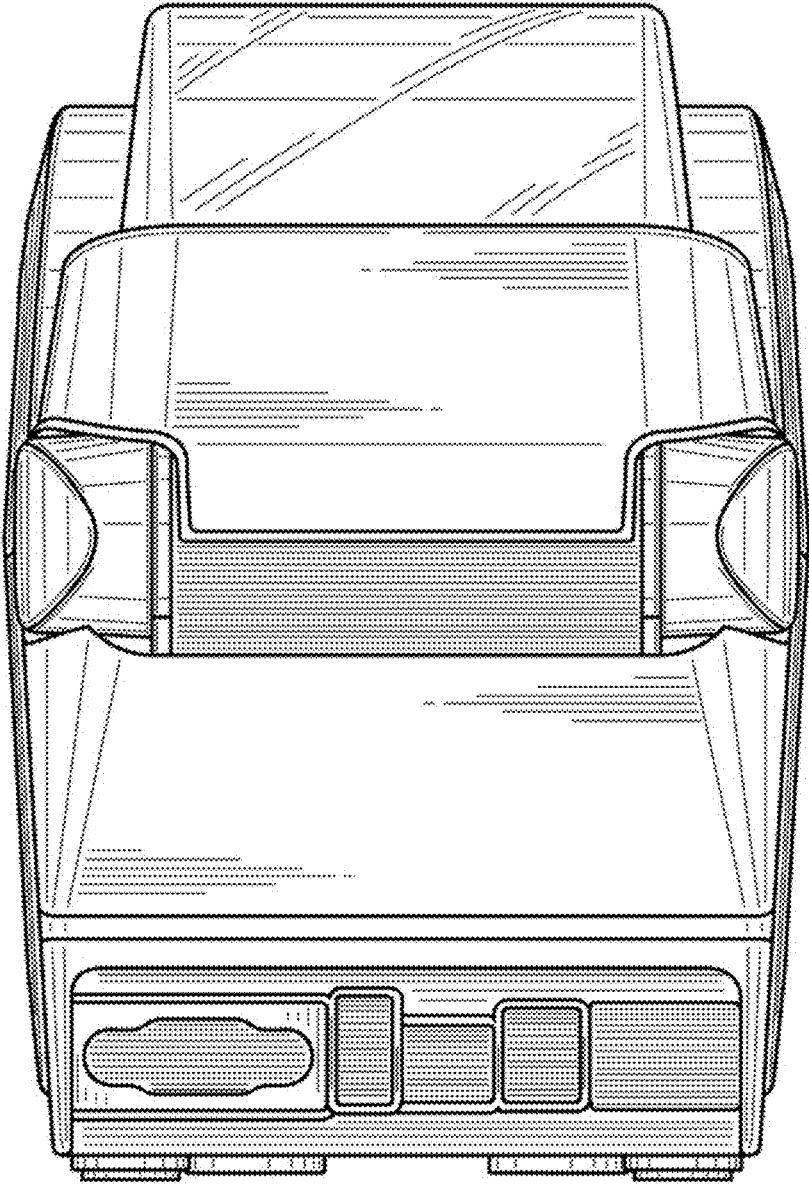
1.2



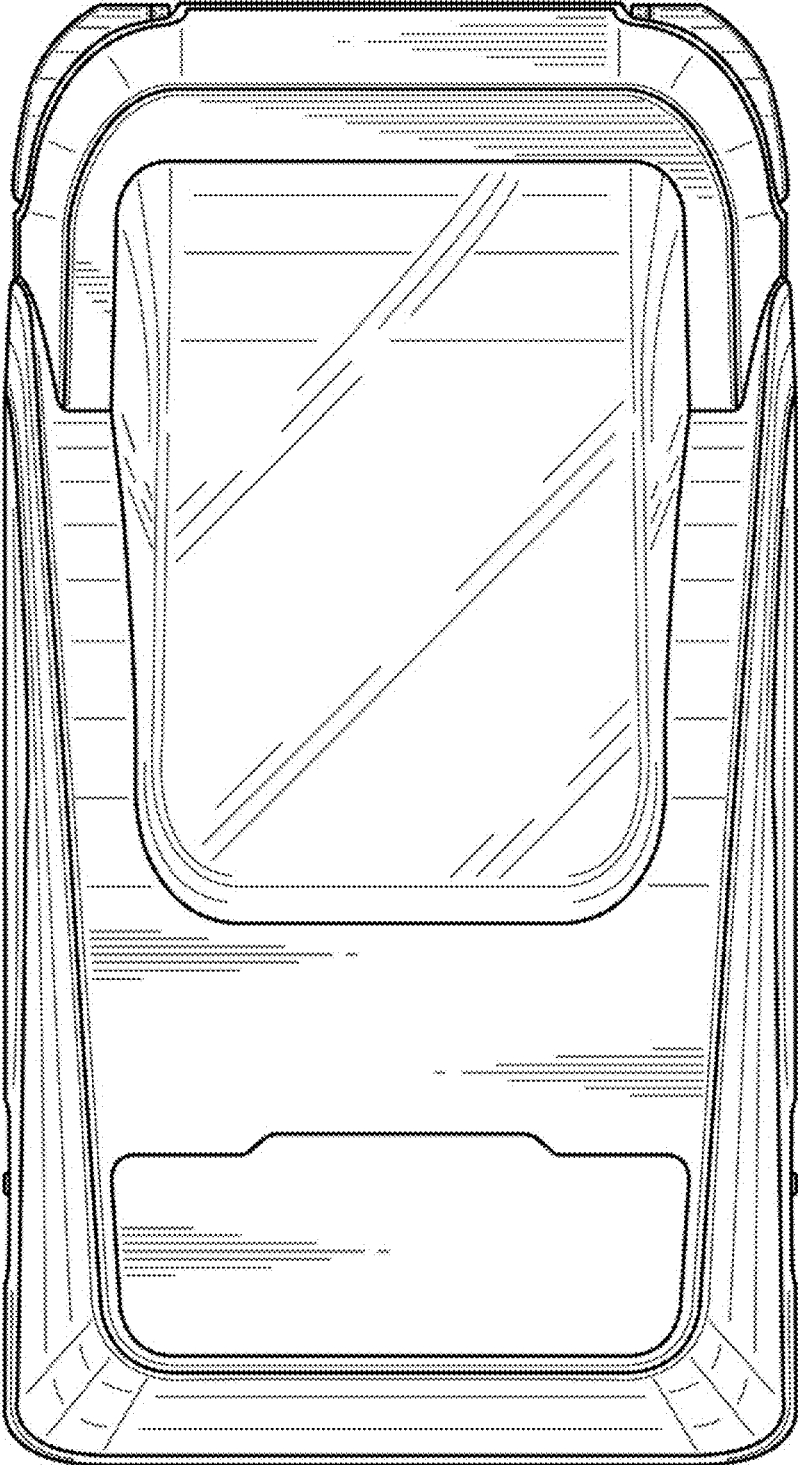
1.3



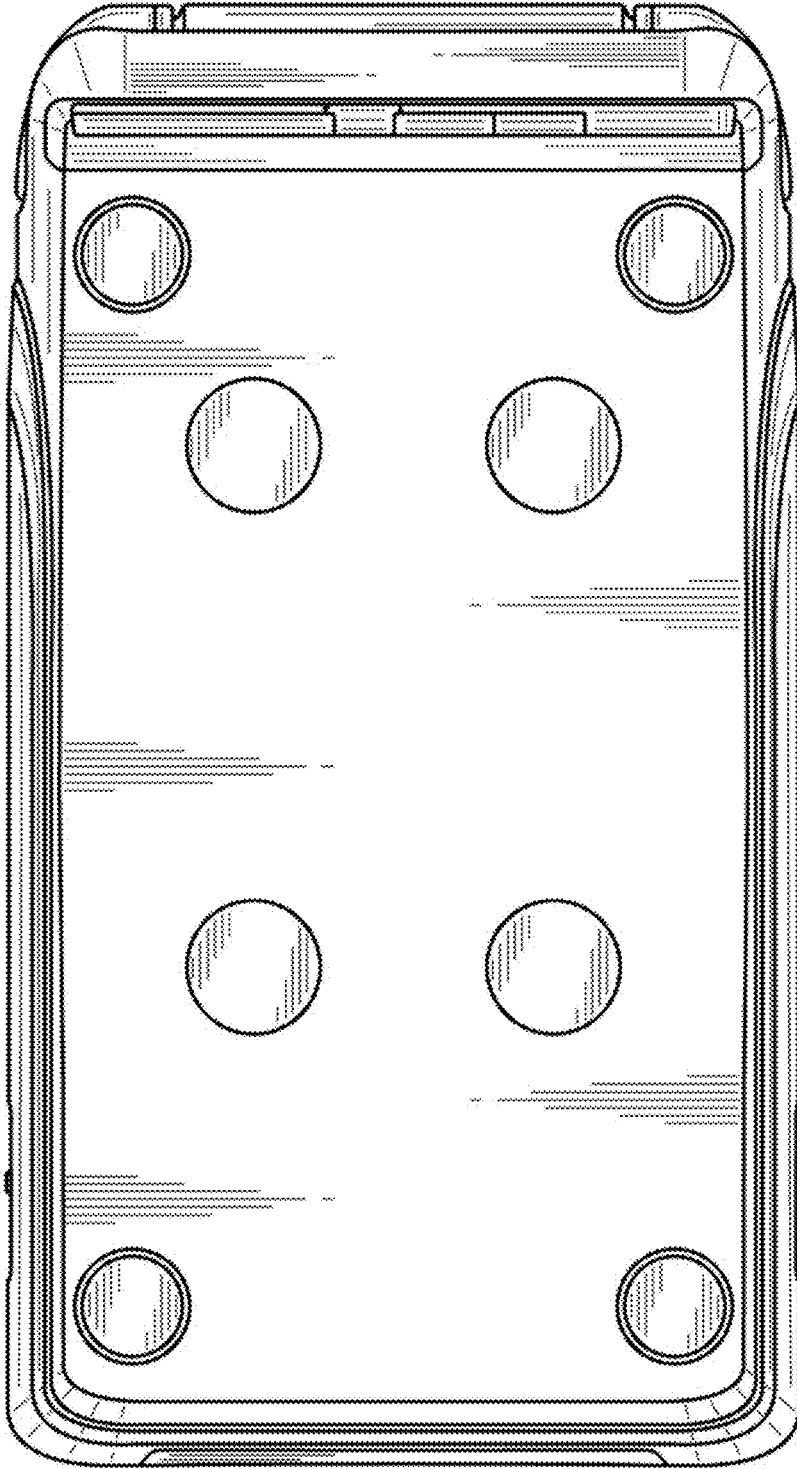
1.4



1.5

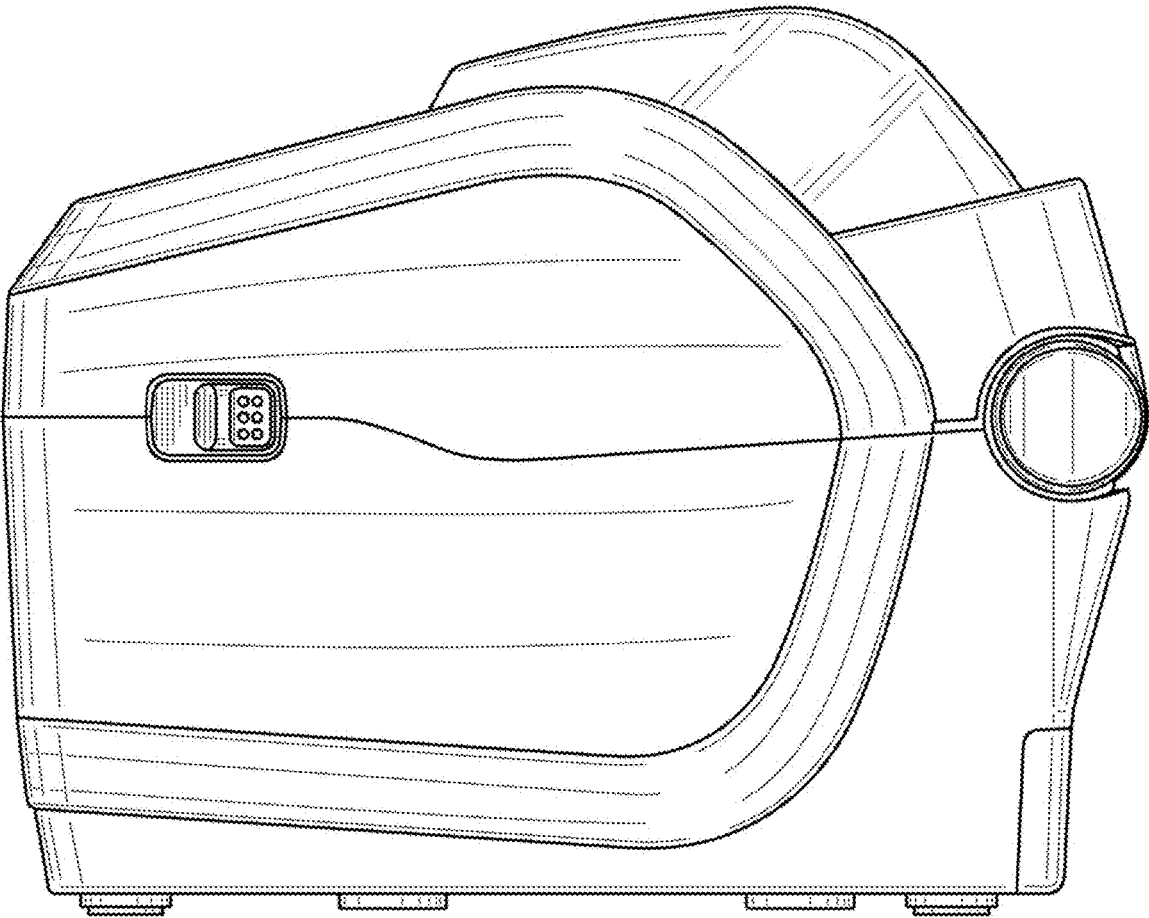


1.6

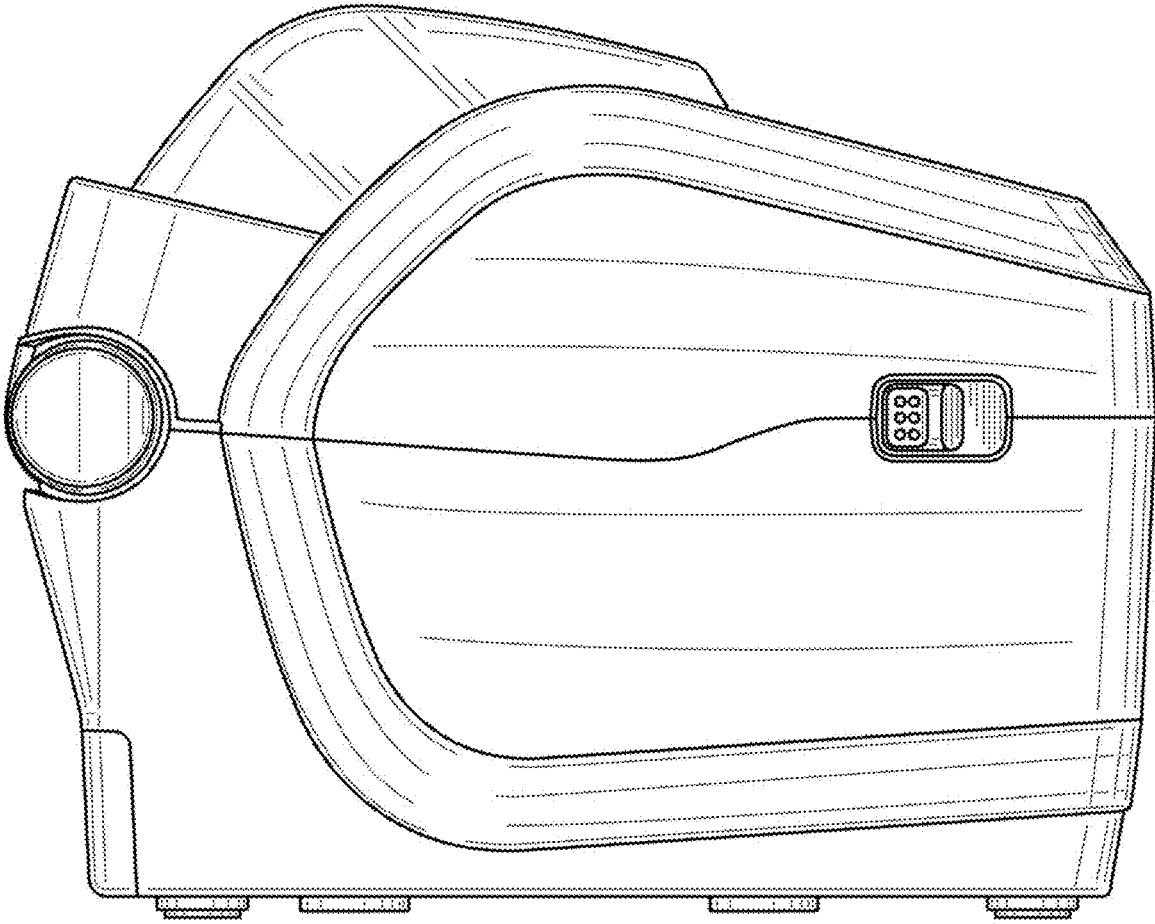




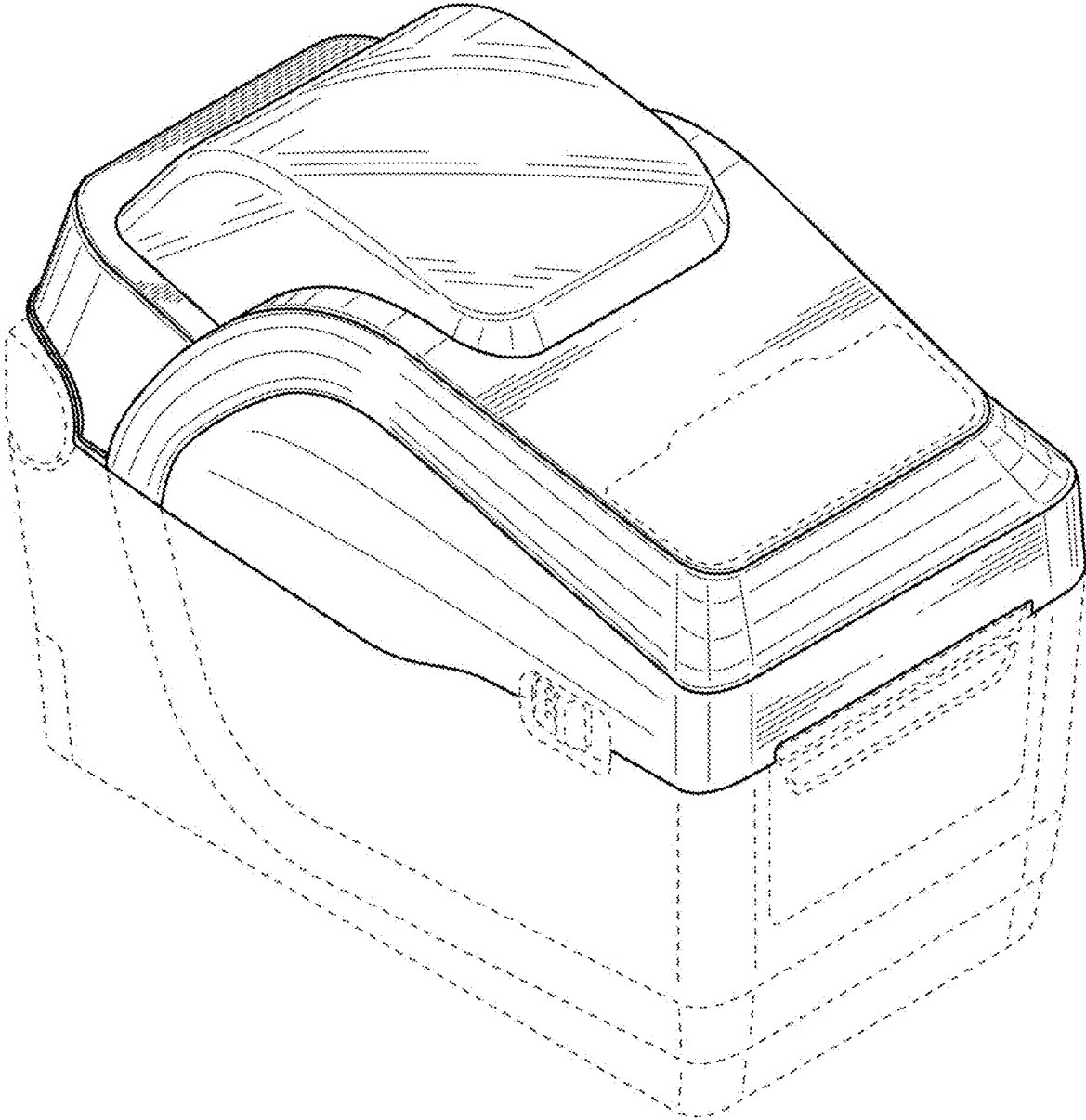
1.7



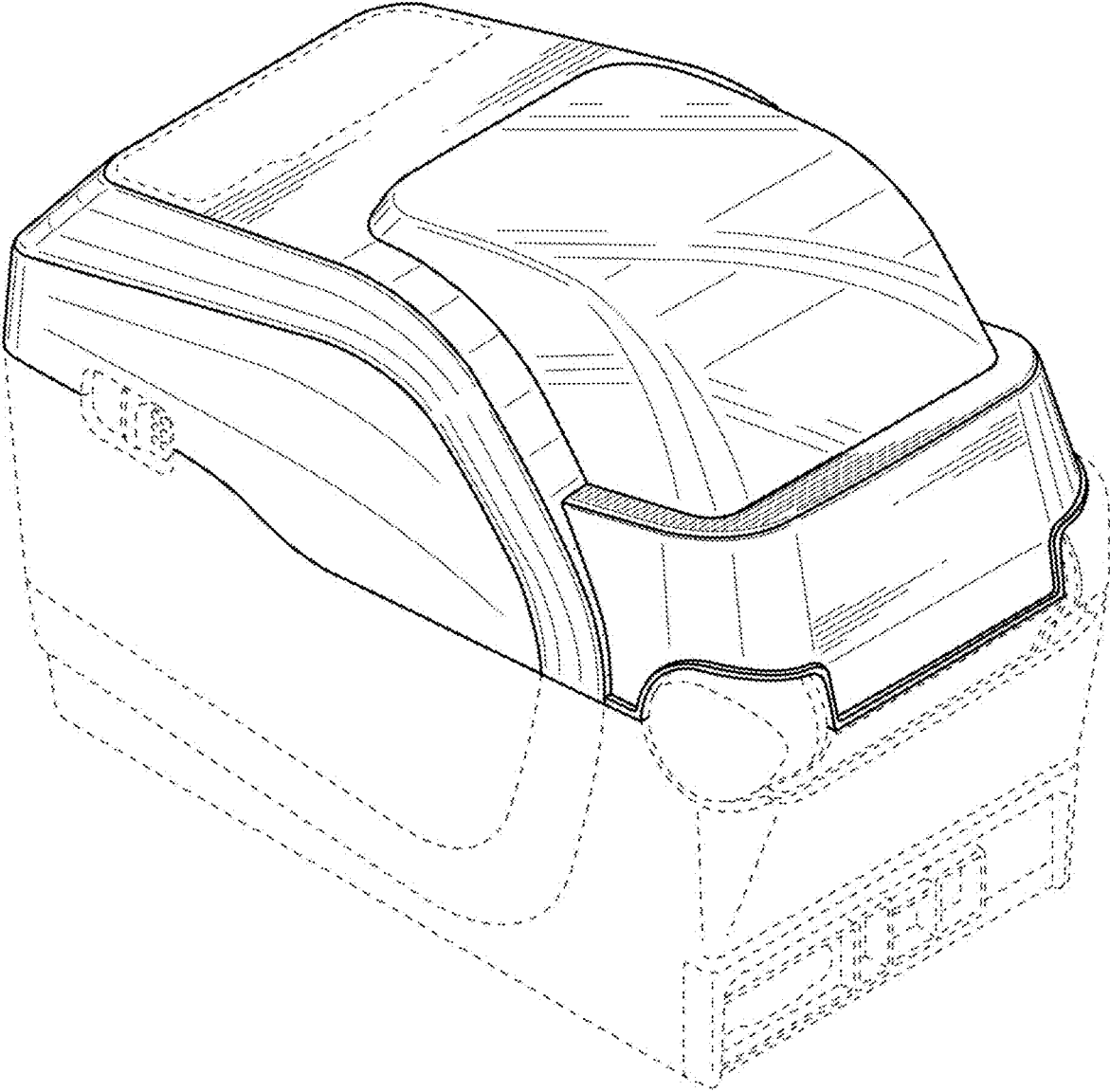
1.8



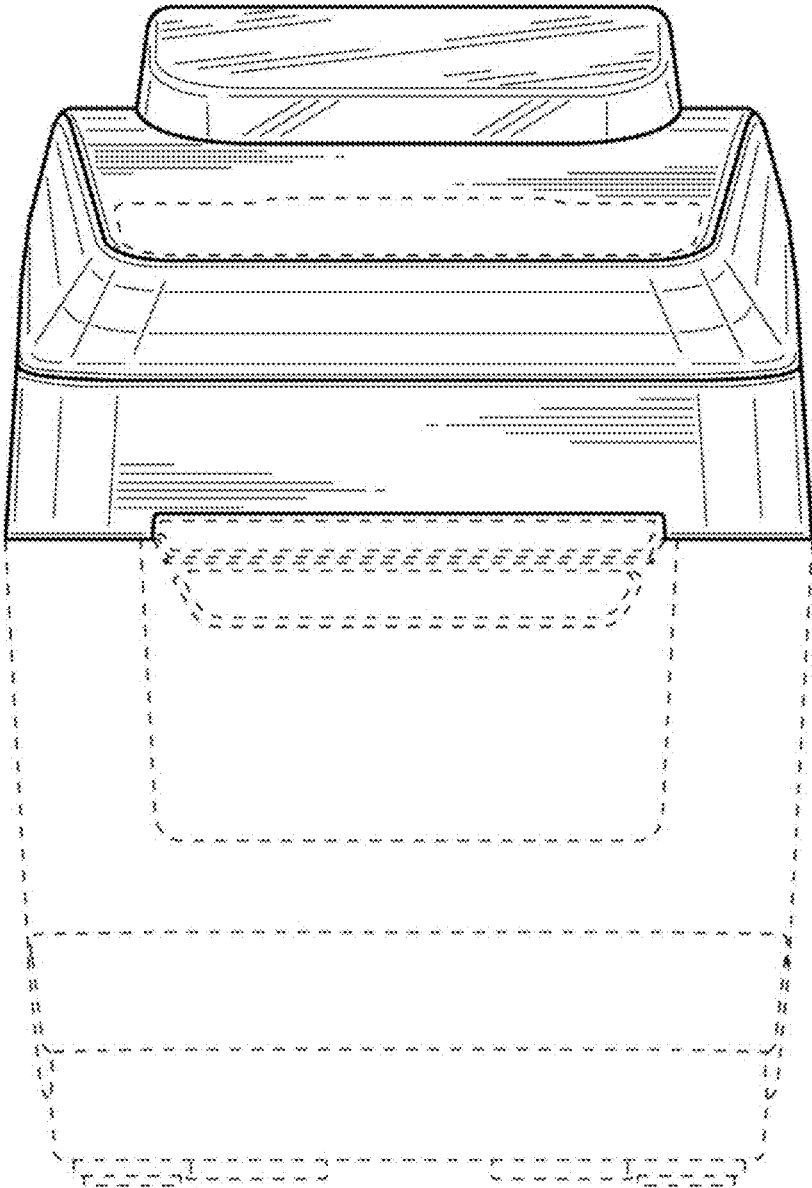
2.1



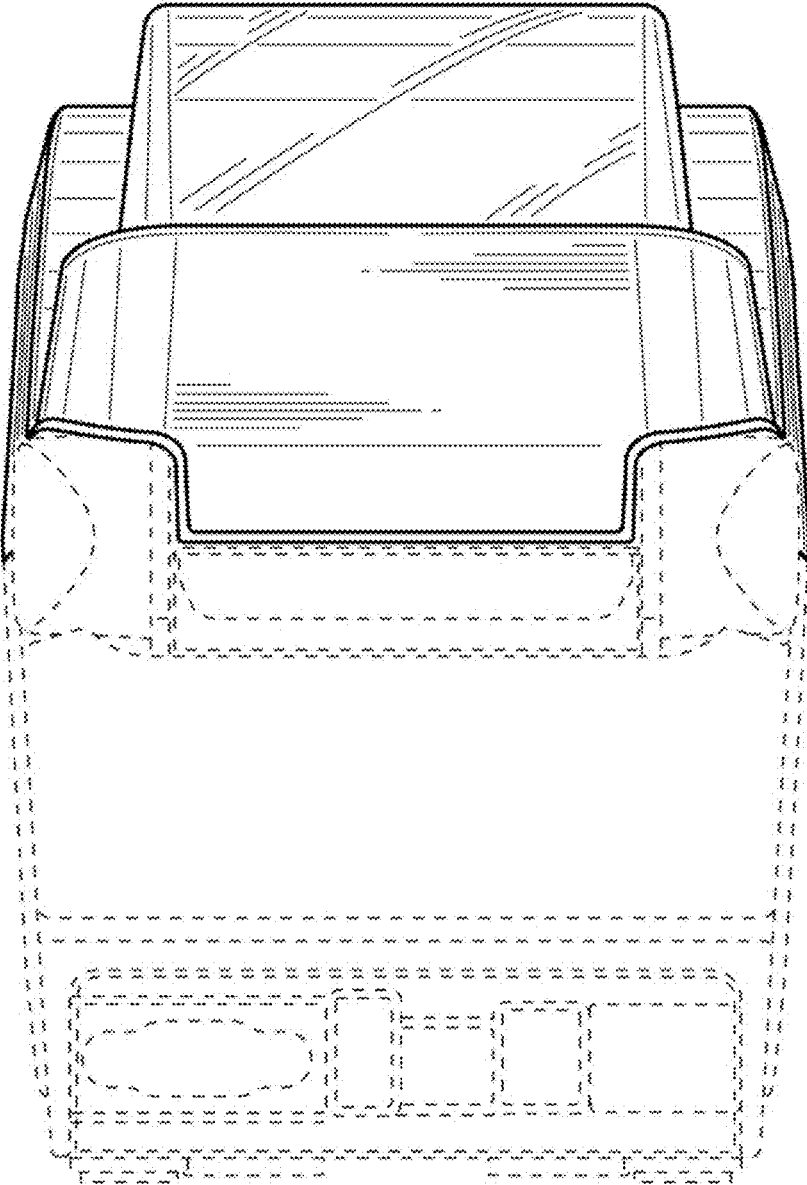
2.2



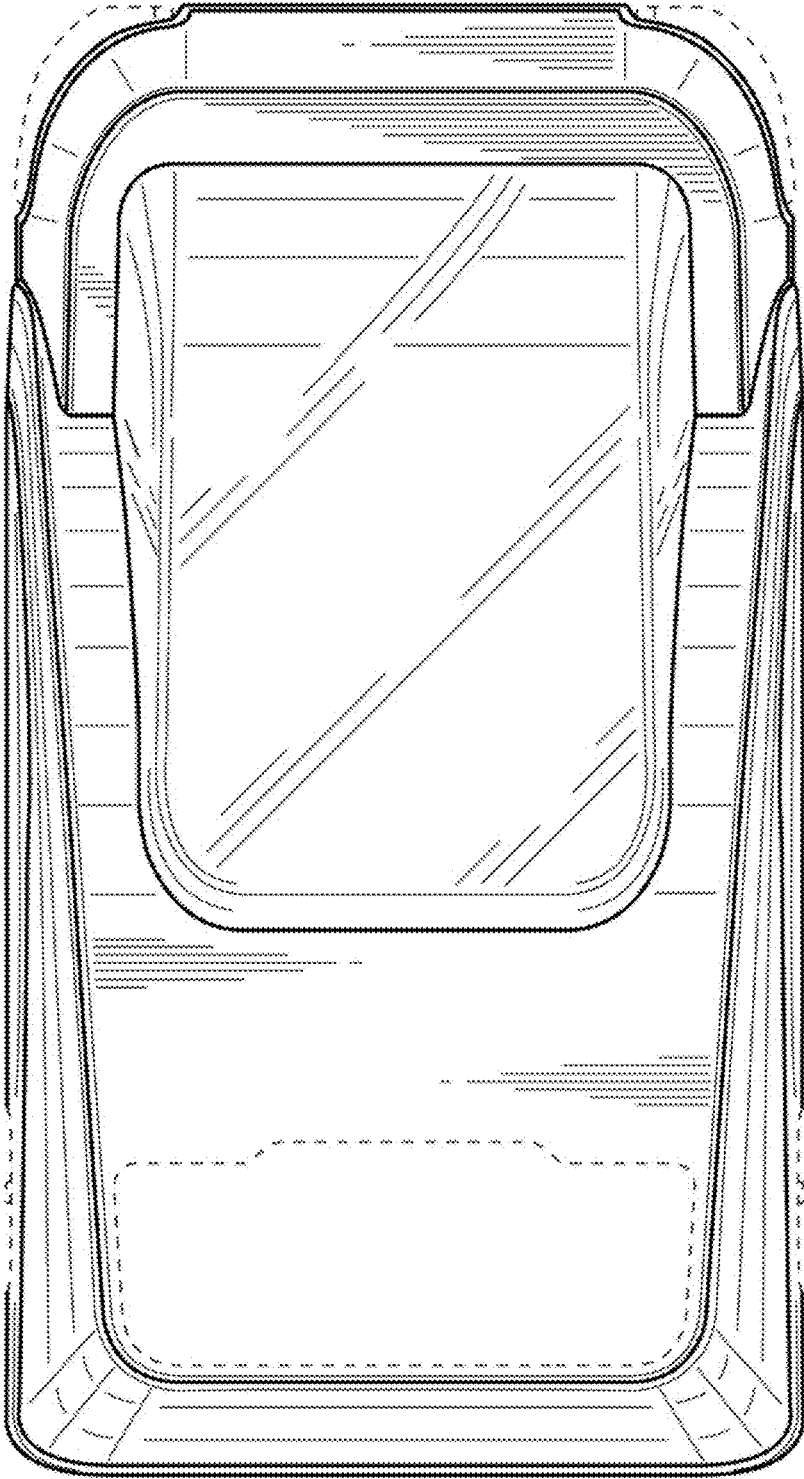
2.3



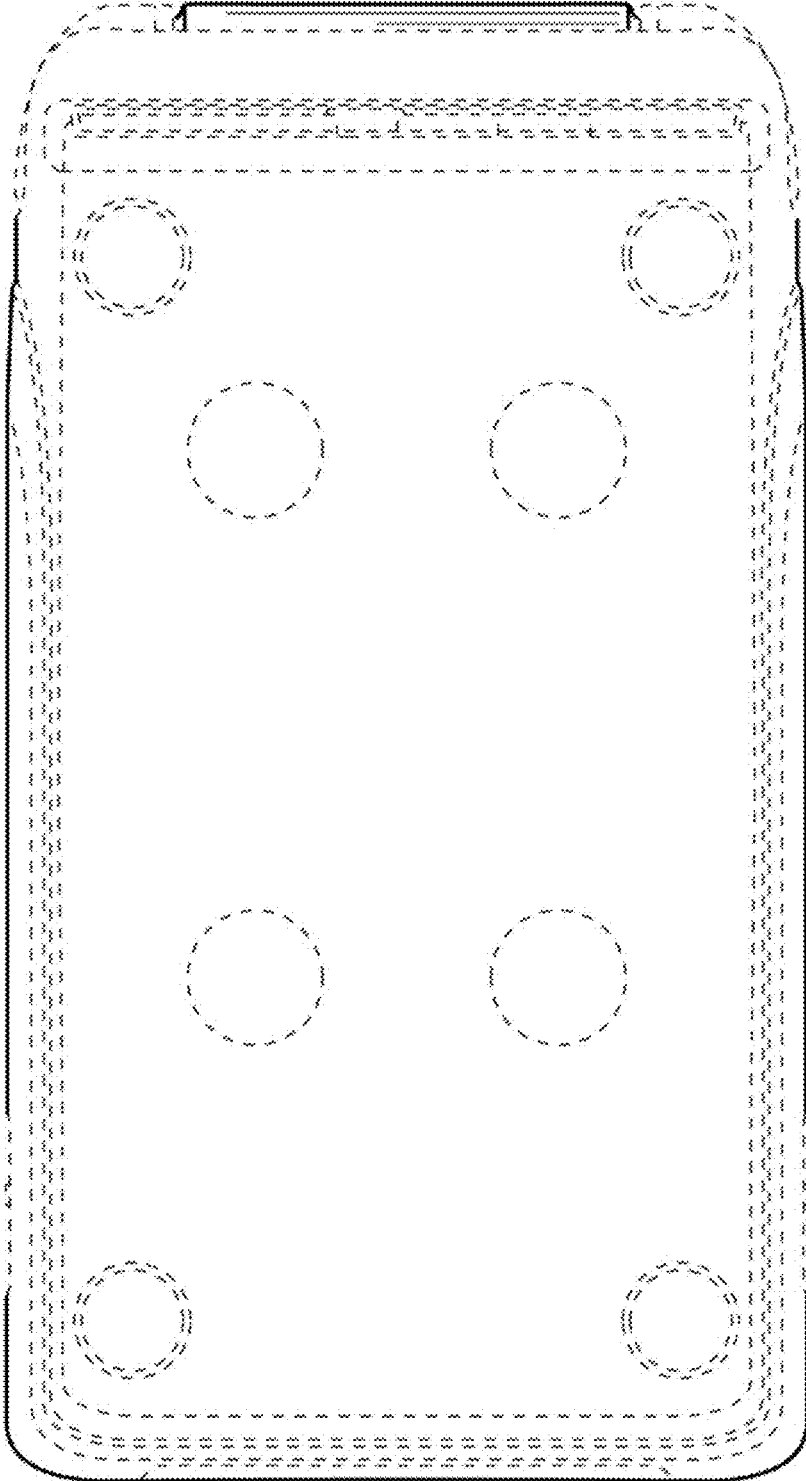
2.4



2.5

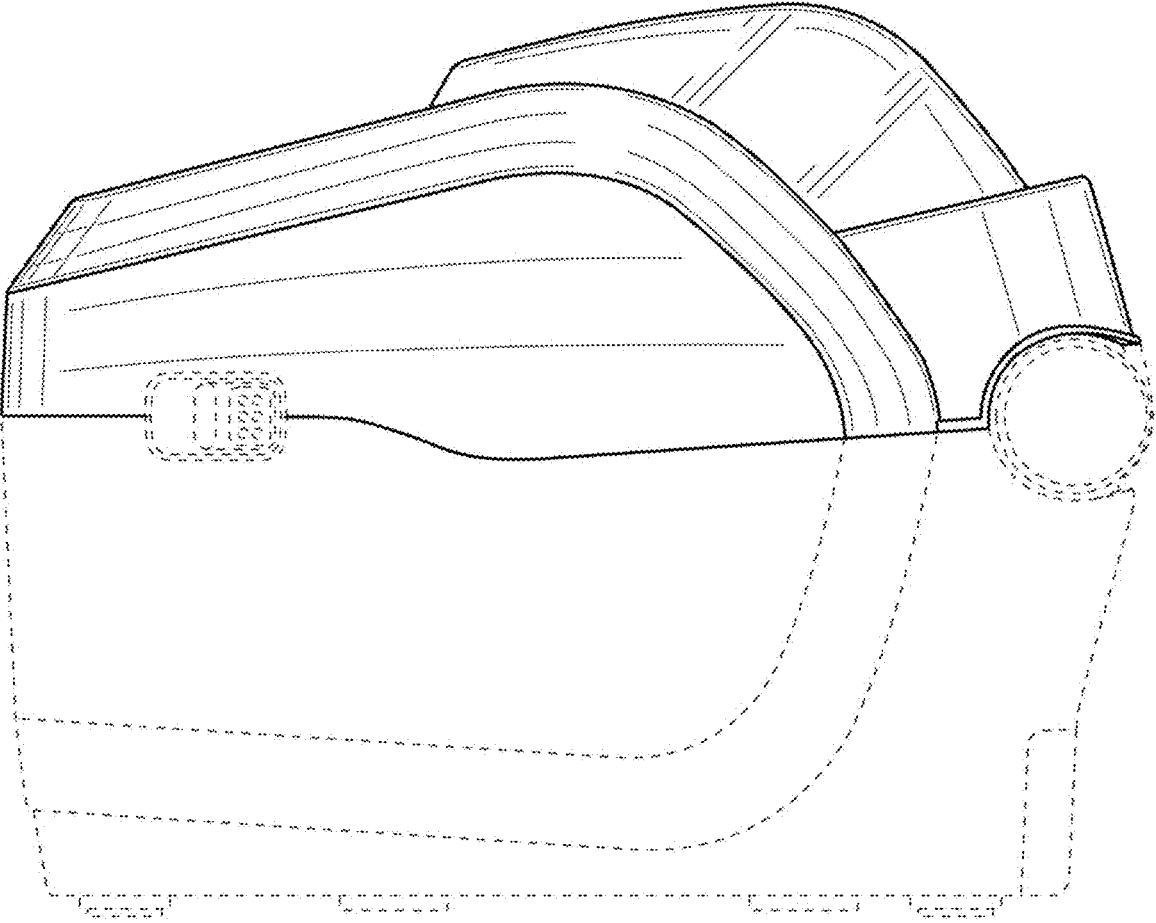


2.6





2.7



2.8

