



US00D758923S

(12) **United States Design Patent**  
**Yamada et al.**

(10) **Patent No.:** **US D758,923 S**  
(45) **Date of Patent:** **\*\* Jun. 14, 2016**

- (54) **MOTORCYCLE**
- (71) Applicant: **Kawasaki Jukogyo Kabushiki Kaisha**,  
Hyogo (JP)
- (72) Inventors: **Masashi Yamada**, Akashi (JP); **Takumi Uemoto**, Kobe (JP); **Norikazu Matsumura**, Akashi (JP)
- (73) Assignee: **KAWASAKI JUKOGYO KABUSHIKI KAISHA**, Kobe-Shi,  
Hyogo (JP)
- (\*\*) Term: **14 Years**
- (21) Appl. No.: **29/474,846**
- (22) Filed: **Feb. 25, 2015**

(30) **Foreign Application Priority Data**

Aug. 29, 2014 (JP) ..... 2014-019129

(51) **LOC (10) Cl.** ..... **12-11**

(52) **U.S. Cl.**  
USPC ..... **D12/110**

(58) **Field of Classification Search**  
USPC ..... D12/109, 110, 111, 114, 117, 126, 184,  
D12/186; D21/432, 458, 538; 180/210-217,  
180/219, 220, 225, 229, 908; 280/103, 124,  
280/152.1-152.3, 288.2, 288.4, 304.3, 770,  
280/827, 828, 847, 848; 296/77.1, 78.1,  
296/181.1, 187.01, 187.12, 192, 193.01,  
296/193.04, 193.05, 193.09; 446/440  
CPC ..... B62D 37/00; B62D 57/00; B62K 9/00;  
B62K 11/04; B62K 17/00; B62K 19/48;  
B62M 7/12; F02B 61/02; A63H 17/21;  
B62J 17/00; B62J 17/04; B62J 29/00  
See application file for complete search history.

(56) **References Cited**

**U.S. PATENT DOCUMENTS**

D582,316 S \* 12/2008 Stenegard ..... D12/110  
D591,205 S \* 4/2009 Heinrich ..... D12/110

D597,449 S \* 8/2009 Nagao ..... D12/110  
D601,458 S \* 10/2009 Nagao ..... D12/110  
D605,089 S \* 12/2009 Tanaka ..... D12/110  
D636,708 S \* 4/2011 Katagiri ..... D12/110  
D638,756 S \* 5/2011 Kouchi ..... D12/110  
D651,138 S \* 12/2011 Lai ..... D12/110  
D652,769 S \* 1/2012 Kudo ..... D12/110  
D669,821 S \* 10/2012 Nishihara ..... D12/110  
D688,983 S \* 9/2013 Shibuta ..... D12/110  
D689,406 S \* 9/2013 Yasuhara ..... D12/110  
D695,153 S \* 12/2013 Buckan ..... D12/110  
D695,154 S \* 12/2013 Buckan ..... D12/110  
8,827,024 B1 \* 9/2014 Sumi ..... B62K 25/02  
180/227  
D723,429 S \* 3/2015 Hohdorf ..... D12/110  
D735,085 S \* 7/2015 Buckan ..... D12/110  
D736,677 S \* 8/2015 Imura ..... D12/110  
2012/0318598 A1 \* 12/2012 Fujiyama ..... B60K 5/12  
180/219  
2015/0101875 A1 \* 4/2015 Inayama ..... B60K 13/02  
180/225

\* cited by examiner

*Primary Examiner* — Philip S Hyder

*Assistant Examiner* — Darlington Ly

(57) **CLAIM**

The ornamental design for a motorcycle, as shown and described.

**DESCRIPTION**

FIG. 1 is a front elevational view of a motorcycle showing our new design;  
FIG. 2 is a rear elevational view thereof;  
FIG. 3 is a left side elevational view thereof;  
FIG. 4 is a right side elevational view thereof;  
FIG. 5 is a top plan view thereof;  
FIG. 6 is a front left perspective view thereof; and,  
FIG. 7 is a rear right perspective view thereof.  
The dark and light grayed surfaces shown on the surface of the design drawings do not represent a color nor a design pattern and only represent shading features on the surface of the ornamental design.

**1 Claim, 7 Drawing Sheets**

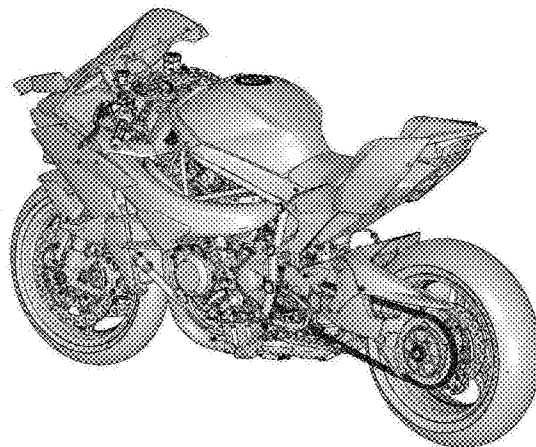


Fig. 1

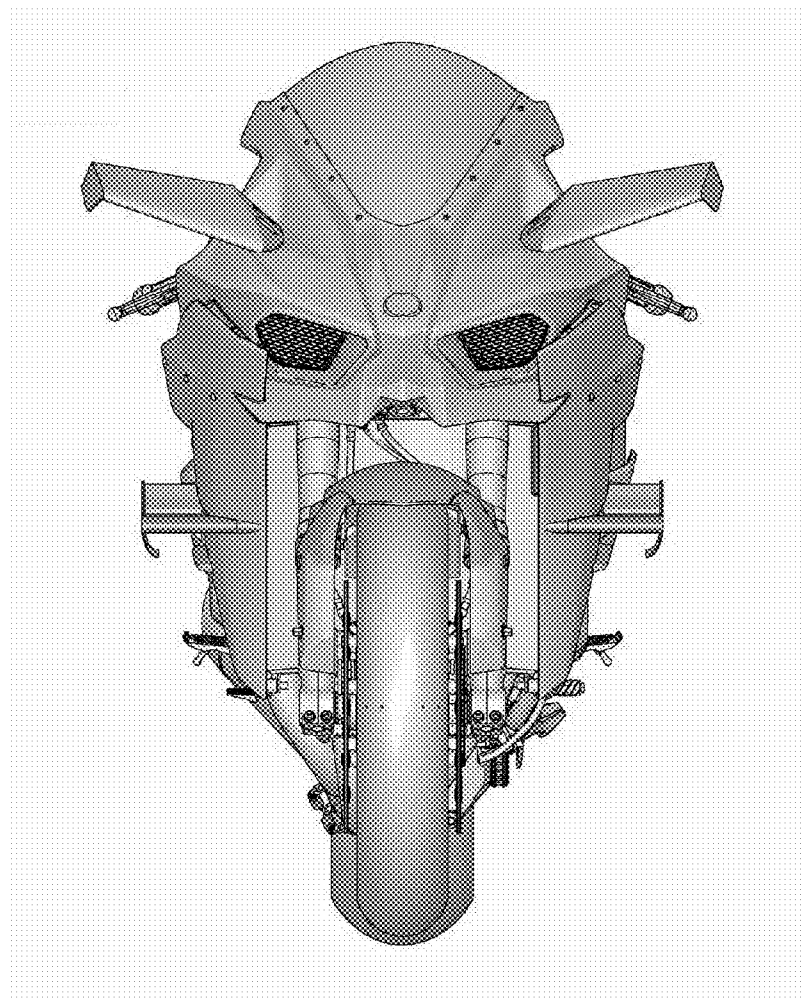
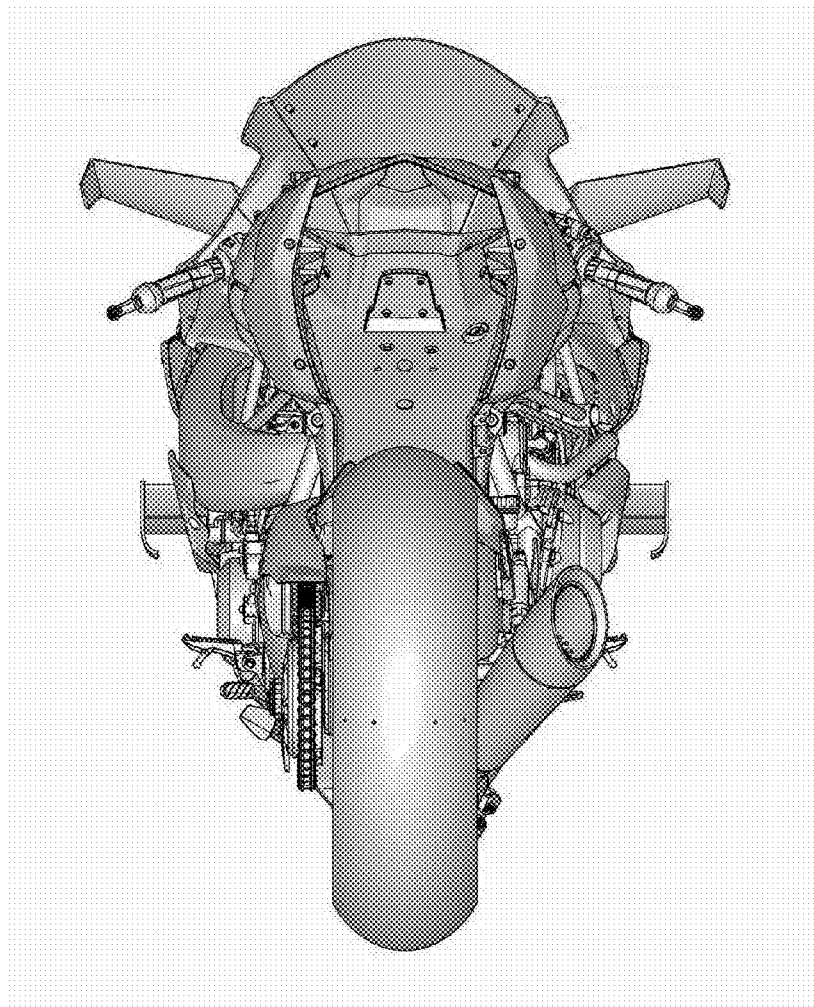


Fig. 2



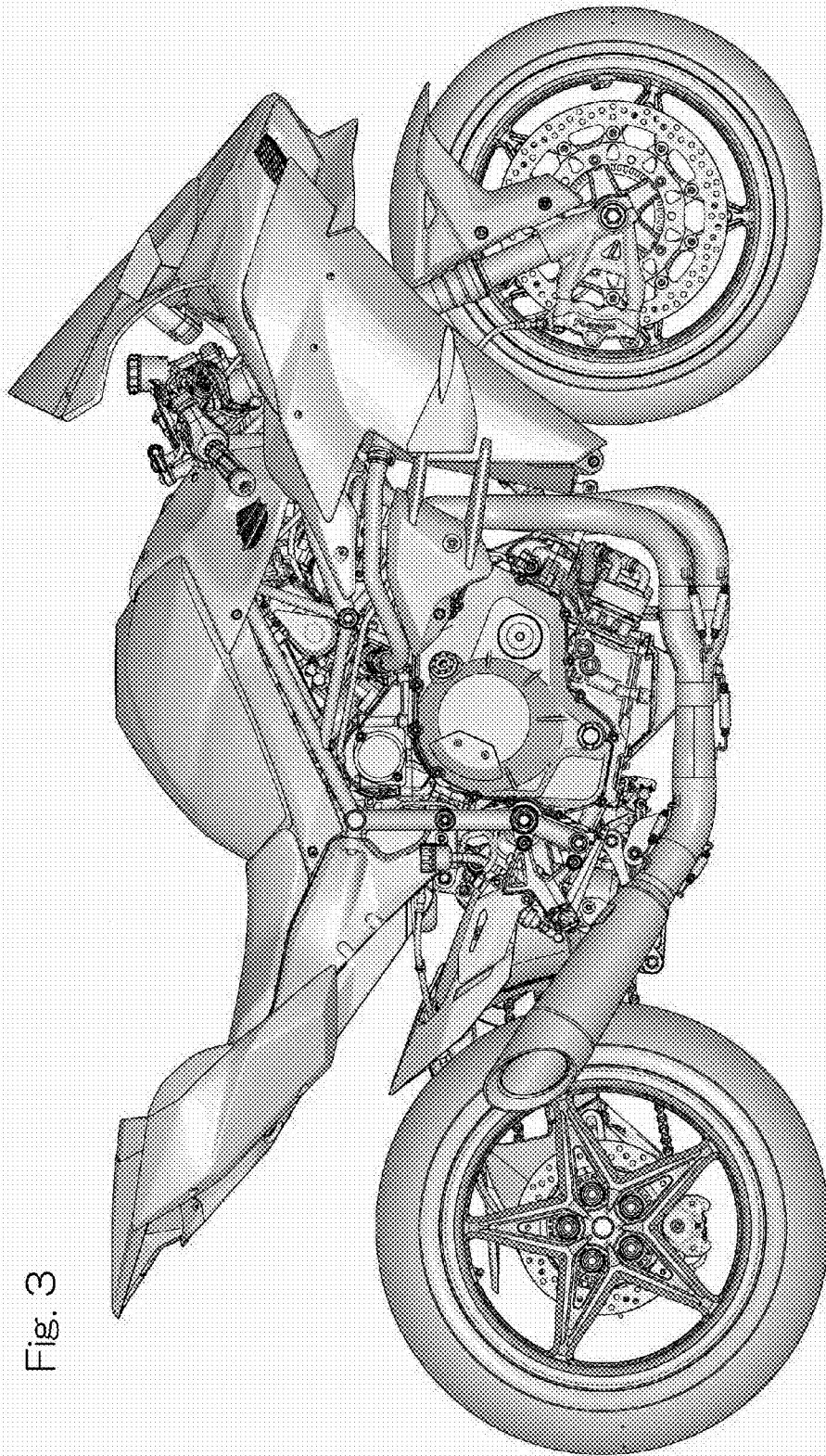


Fig. 3

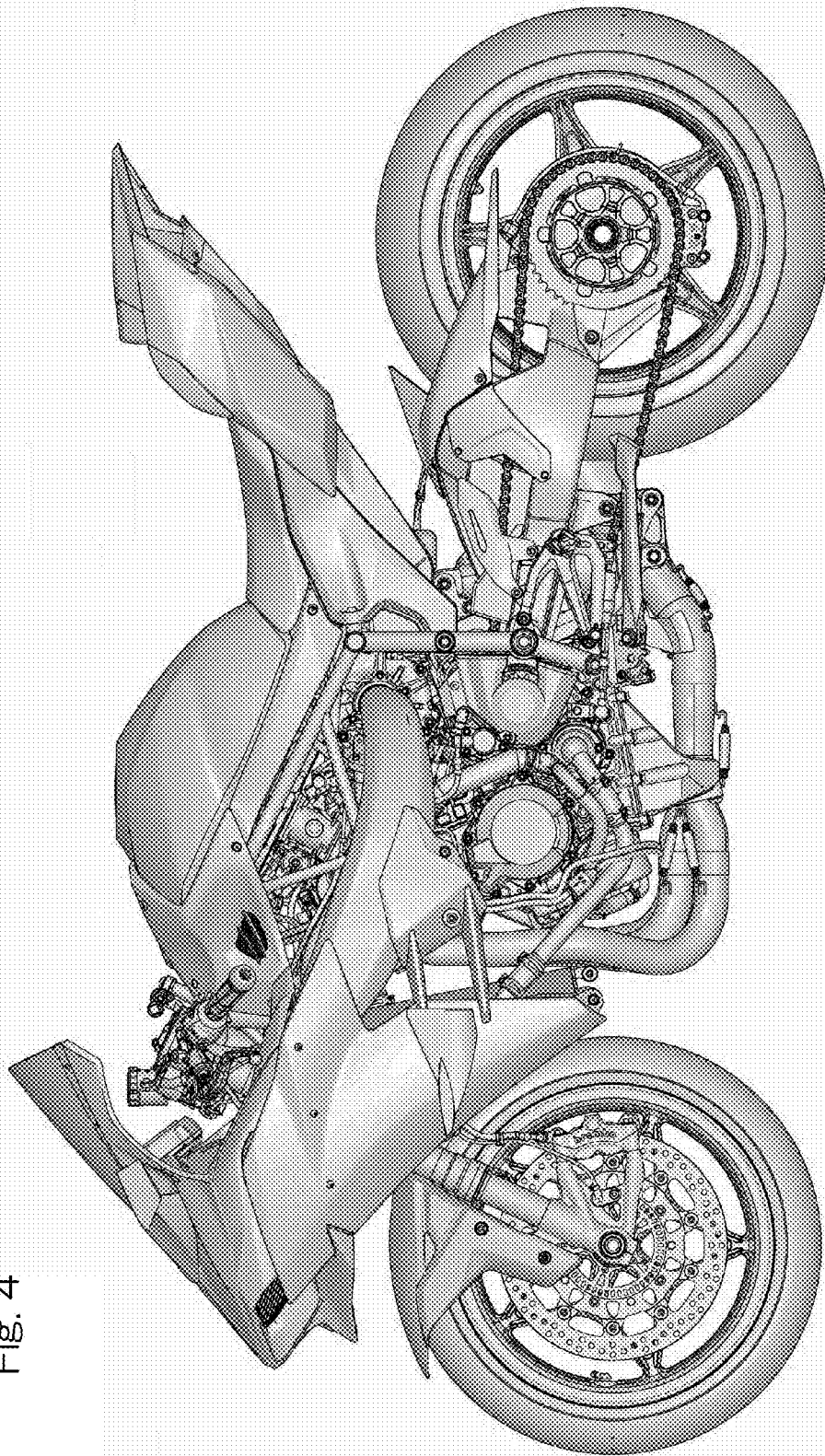
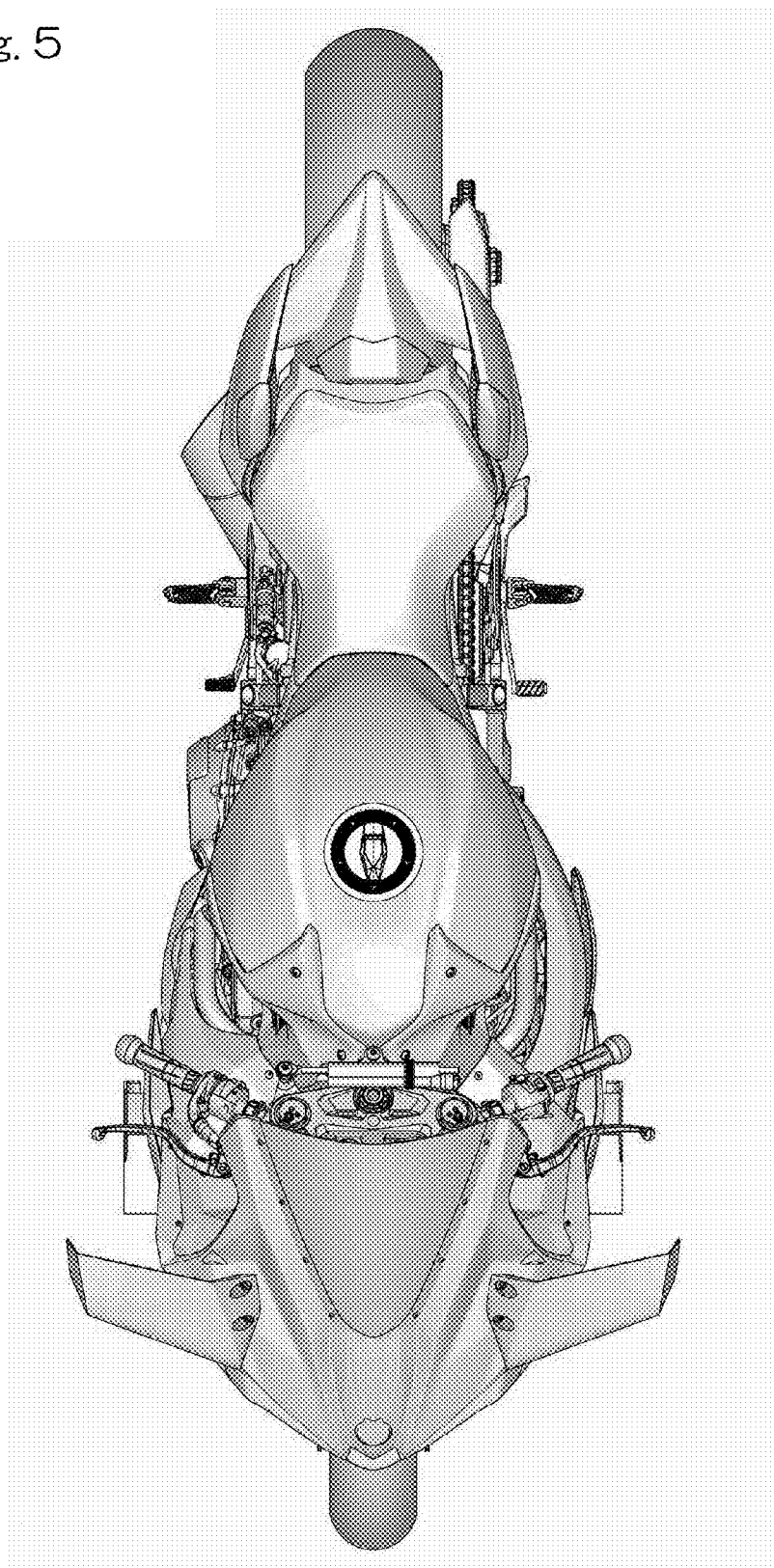


Fig. 4

Fig. 5



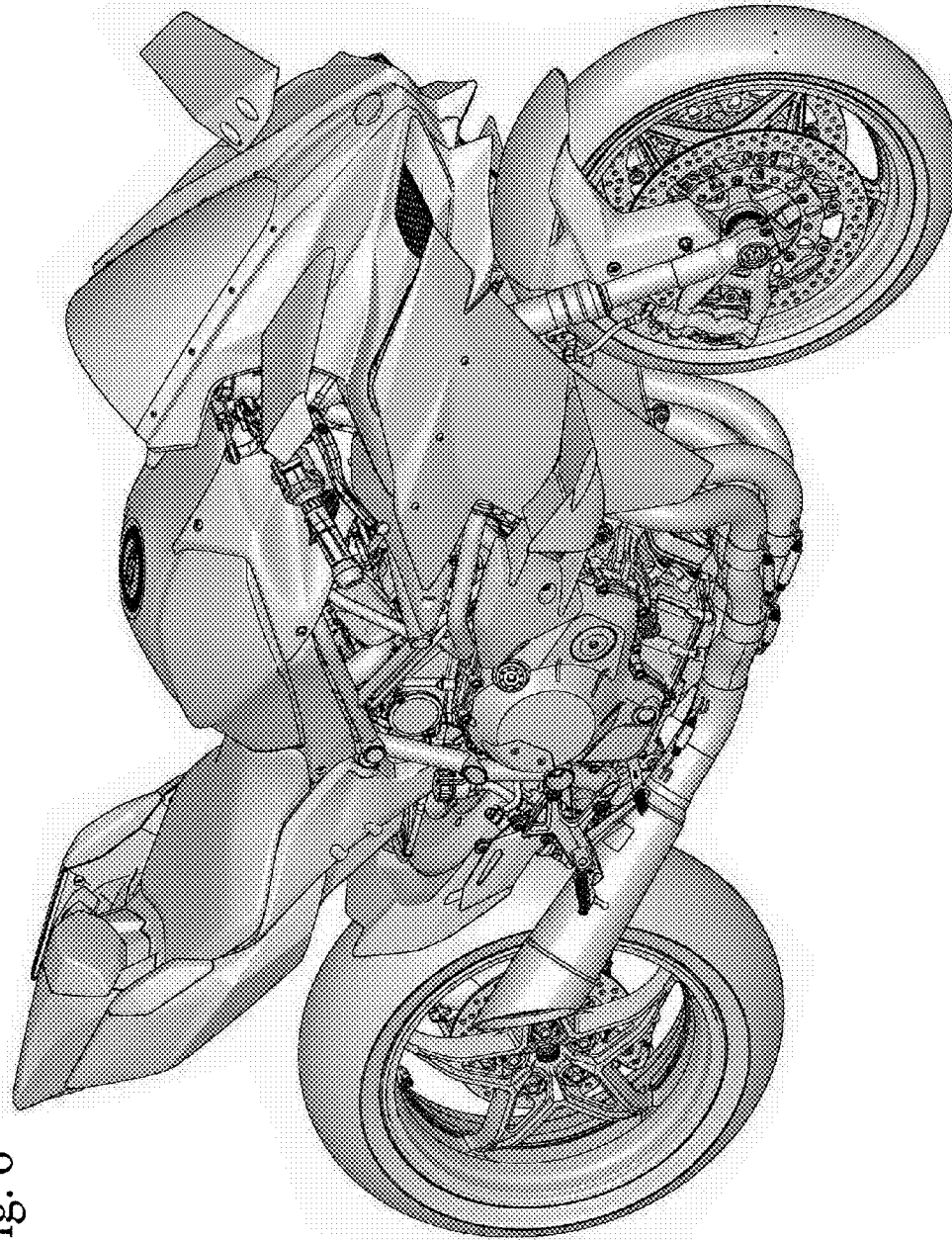


Fig. 6

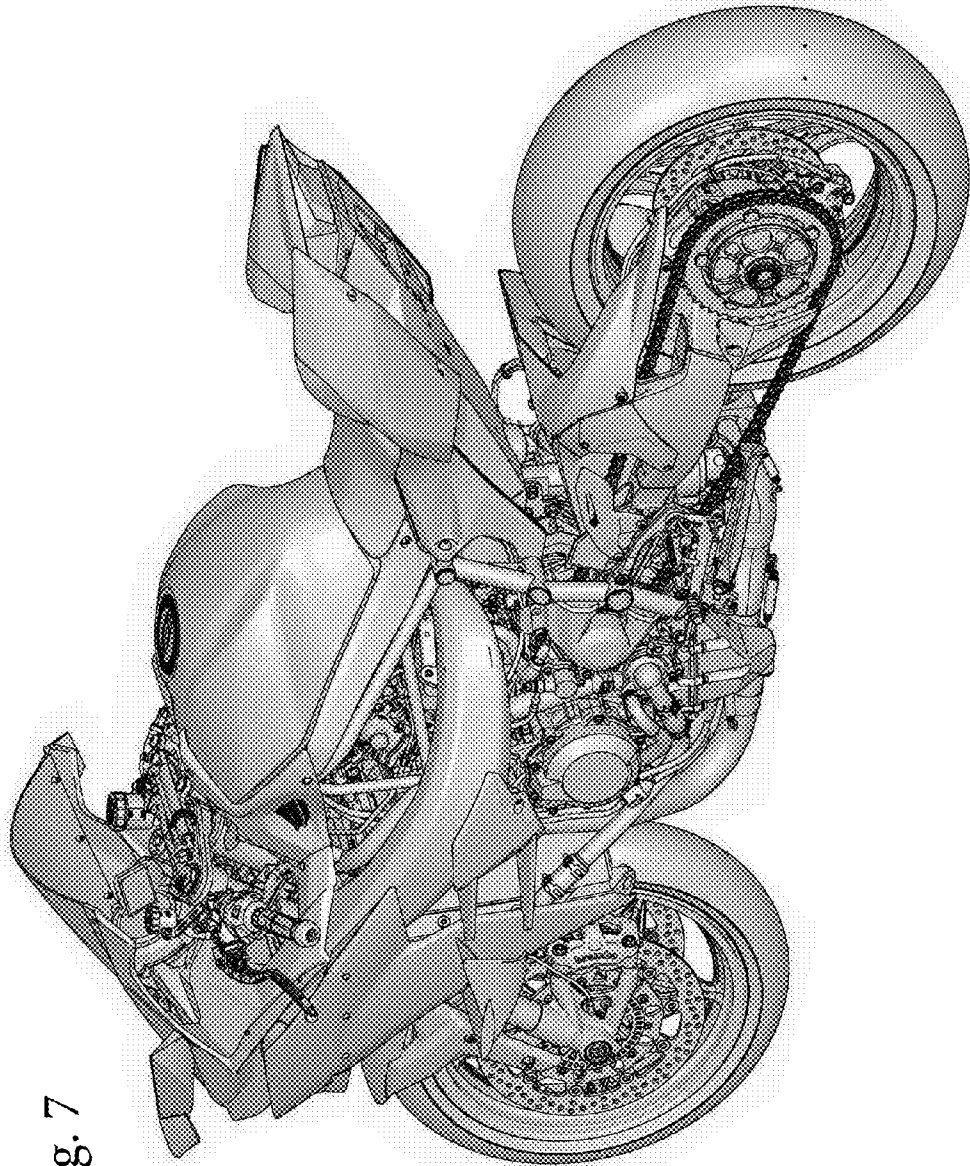


Fig. 7