



US00D351267S

United States Patent [19]

[11] Patent Number: Des. 351,267

Libman

[45] Date of Patent: ** Oct. 4, 1994

[54] SPONGE MOP SQUEEZE PLATE WITH HANDLE GRIP

Primary Examiner—Wallace R. Burke
Assistant Examiner—Lavone D. Tabor
Attorney, Agent, or Firm—Marshall, O'Toole, Gerstein, Murray & Borun

[75] Inventor: Robert J. Libman, Champaign, Ill.

[73] Assignee: The Libman Company, Arcola, Ill.

[57] CLAIM

[**] Term: 14 Years

The ornamental design for a sponge mop squeeze plate with handle grip, as shown and described.

[21] Appl. No.: 630

DESCRIPTION

[22] Filed: Oct. 22, 1992

[52] U.S. Cl. D32/44

[58] Field of Search 15/116.1, 116.2, 119.1, 15/119.2; D32/44, 50-51

FIG. 1 is a top, front and left side perspective view of a sponge mop squeeze plate with handle grip showing my new design;

FIG. 2 is a top plan view thereof;

FIG. 3 is a left side elevational view thereof with the right side being a mirror image thereof;

FIG. 4 is a bottom plan view thereof;

FIG. 5 is a front elevational view thereof; and,

FIG. 6 is a rear elevational view thereof.

The portions of a sponge mop and mop handle shown in broken lines in the drawings is for illustrative purposes only and forms no part of the claimed design.

[56] References Cited

U.S. PATENT DOCUMENTS

D. 199,178	9/1964	Cornell et al.	D32/44
D. 200,569	3/1965	Farrell	D32/44
D. 205,442	8/1966	Tillinghast	D32/44
D. 206,995	2/1967	Wank et al.	D32/44

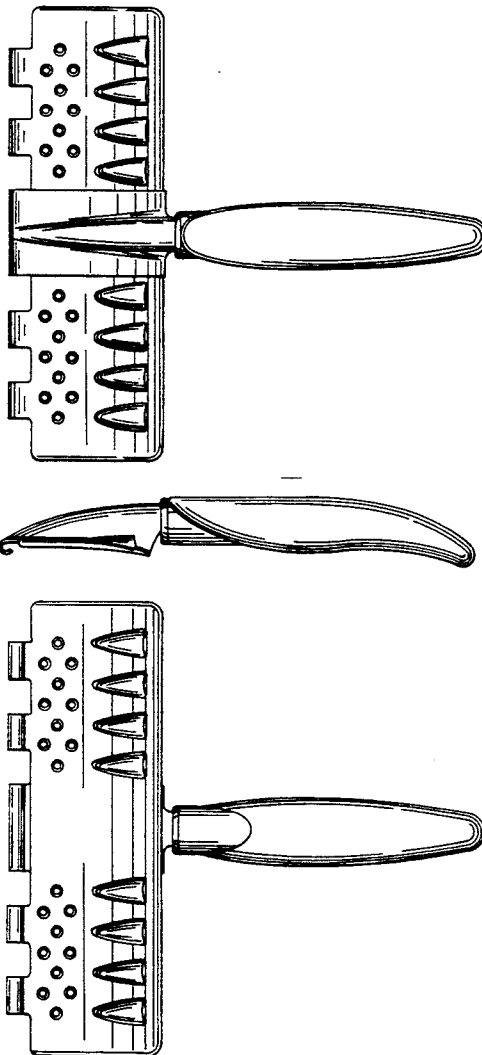


FIG. 1

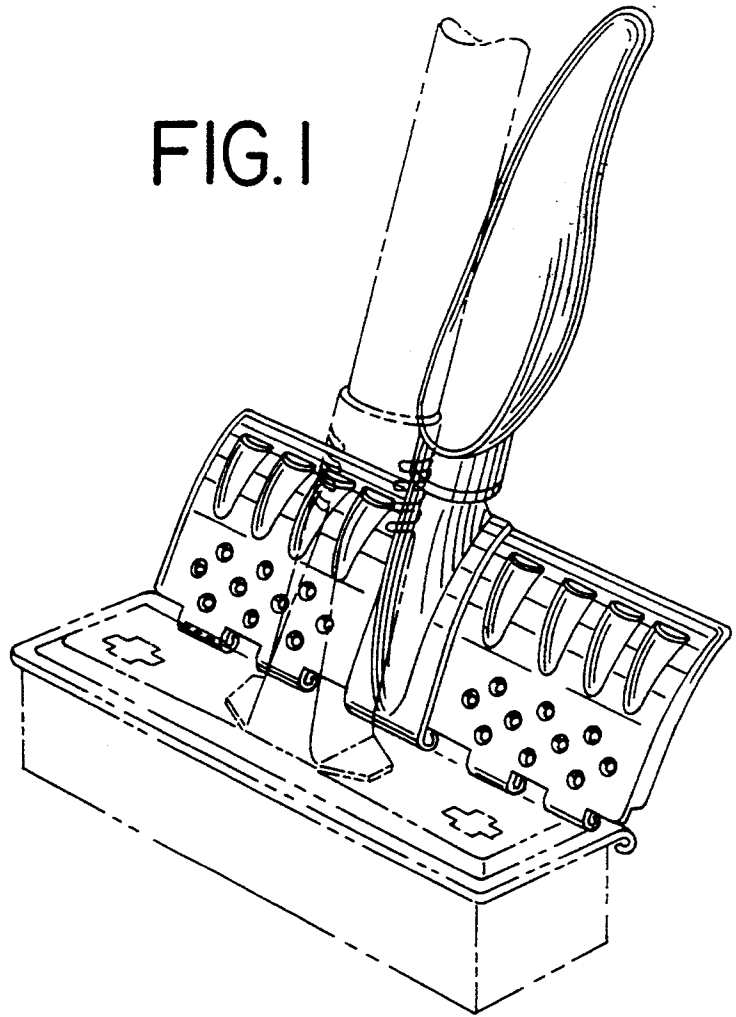


FIG. 2

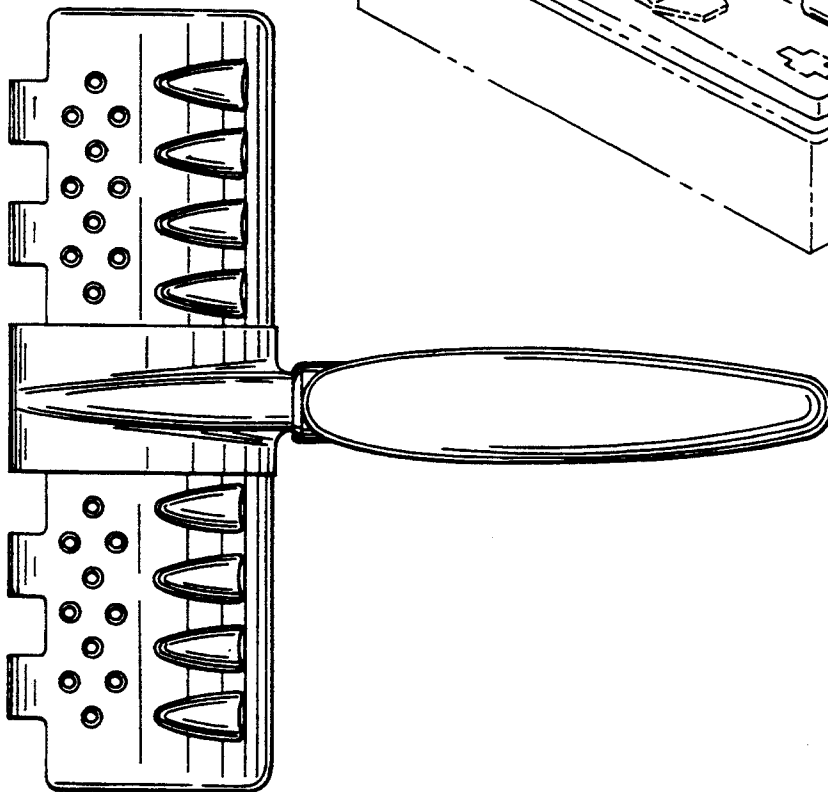


FIG. 3



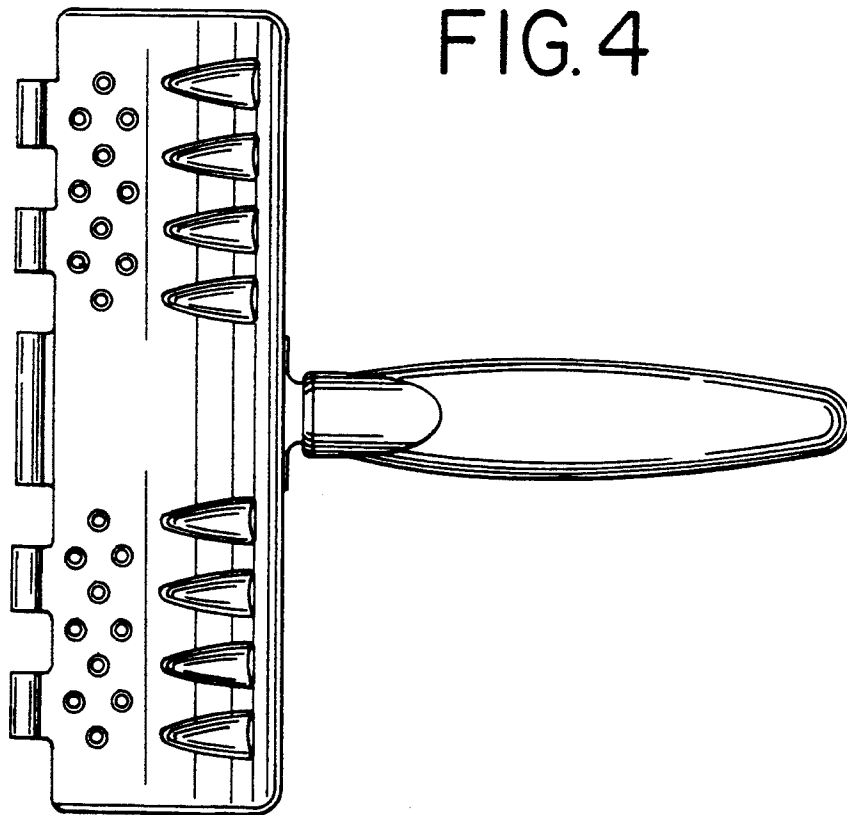


FIG. 5



FIG. 6

