



US0D1008211S

(12) **United States Design Patent**
Cheung et al.

(10) **Patent No.:** **US D1,008,211 S**

(45) **Date of Patent:** **** Dec. 19, 2023**

- (54) **HEADSET**
- (71) Applicant: **Dell Products L.P.**, Round Rock, TX (US)
- (72) Inventors: **Victor C. Cheung**, Singapore (SG);
Sok Hui Khoo, Singapore (SG)
- (73) Assignee: **Dell Products L.P.**, Round Rock, TX (US)
- (**) Term: **15 Years**

5,841,858 A * 11/1998 Frierson H04M 1/0202
379/430
6,081,604 A * 6/2000 Hikichi H04R 5/0335
381/124
6,406,075 B1 * 6/2002 Rice E05B 85/18
70/210

(Continued)

FOREIGN PATENT DOCUMENTS

CN 307660657 * 11/2022
GB 6176950 * 11/2021
NO 087157-0002 * 11/2021

OTHER PUBLICATIONS

Techradar, "Asus ROG Centurion 7.1 Headset Review," downloaded from <https://www.techradar.com/reviews/asus-rog-centurion-71-headset> on Nov. 17, 2021, 15 pages.

(Continued)

Primary Examiner — Paula Allen Greene
(74) *Attorney, Agent, or Firm* — ZAGORIN CAVE LLP;
Robert W. Holland

(57) **CLAIM**

We claim the ornamental design for a headset, as shown and described.

DESCRIPTION

FIG. 1 is a front perspective view of the headset comprising the present invention;
FIG. 2 is a front elevation view thereof;
FIG. 3 is a rear elevation view thereof;
FIG. 4 is a right side view thereof;
FIG. 5 is a left side view thereof;
FIG. 6 is a top view thereof;
FIG. 7 is a bottom view thereof; and,
FIG. 8 is a rear perspective view thereof.
Broken lines shown in the drawings illustrate portions of the headset and form no part of the claimed design.

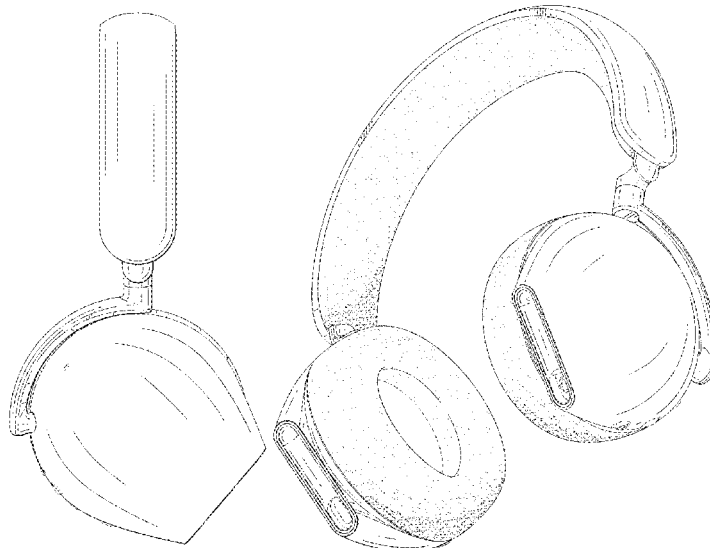
1 Claim, 7 Drawing Sheets

- (21) Appl. No.: **29/815,875**
- (22) Filed: **Nov. 17, 2021**
- (51) **LOC (14) Cl.** **14-01**
- (52) **U.S. Cl.**
USPC **D14/206**
- (58) **Field of Classification Search**
USPC D14/206, 205, 226; D29/112; 2/209;
362/105–106, 107, 191; D26/39;
381/380–381, 374
CPC ... G02B 27/017; F21V 33/00; F21V 33/0052;
F21V 21/084; H04R 25/00; H04R 25/02;
H04R 1/10; H04R 1/1016; H04R 1/1066;
H04R 5/033; H04R 5/0335; H04R
1/1091; A42B 3/044
See application file for complete search history.

(56) **References Cited**

U.S. PATENT DOCUMENTS

3,032,647 A * 5/1962 Wansky F21V 21/0885
362/106
D254,183 S * 2/1980 Doodson D14/205
D302,429 S * 7/1989 Leer D14/206
5,003,589 A * 3/1991 Chen H04M 1/05
379/430
5,321,416 A * 6/1994 Bassett A42B 3/145
348/121



(56)

References Cited

U.S. PATENT DOCUMENTS

6,422,715 B2 * 7/2002 Naghi F21V 33/0052
 362/85
 7,457,649 B1 * 11/2008 Wilson H04R 1/1025
 381/374
 8,371,707 B2 * 2/2013 Uzar F21V 21/088
 362/105
 D707,867 S * 6/2014 Kotsis D26/39
 8,774,420 B2 * 7/2014 Belafonte H04R 1/2811
 381/74
 D714,260 S * 9/2014 Han D14/223
 9,167,347 B1 * 10/2015 Silberberg H04R 1/1041
 D771,012 S * 11/2016 Wagner D14/205
 D791,102 S * 7/2017 Katsuno D14/205
 D791,735 S * 7/2017 Kalyuzhny D14/209.1
 D800,092 S * 10/2017 Paterson D14/206
 D813,197 S * 3/2018 Katsuno D14/206
 D824,362 S * 7/2018 Probst D14/206
 D832,825 S * 11/2018 Samrelius D14/223
 D837,764 S * 1/2019 Xiao D14/205
 D851,064 S * 6/2019 Wang D14/206
 D852,776 S * 7/2019 Zhu D14/205
 D857,656 S * 8/2019 Ipsen D14/206
 D860,967 S * 9/2019 Williamson D14/206
 D864,903 S * 10/2019 Liu D14/206
 D876,392 S * 2/2020 Zhou D14/206
 D883,253 S * 5/2020 Kelley D14/206
 10,757,499 B1 * 8/2020 Vautrin G10L 15/22
 D896,201 S * 9/2020 Roberts D14/205
 D904,340 S * 12/2020 Law D14/206
 D909,338 S * 2/2021 Cai D14/206
 D920,952 S * 6/2021 Yaegashi D14/206
 D920,955 S * 6/2021 Shimada D14/206
 D935,441 S * 11/2021 Liu D14/206
 D936,035 S * 11/2021 Tang D14/205

D947,813 S * 4/2022 He D14/206
 D964,318 S * 9/2022 Chen D14/206
 D965,555 S * 10/2022 Chen D14/206
 D978,826 S * 2/2023 Fuglsang D14/205
 D983,163 S * 4/2023 Olafsson D14/206
 D985,529 S * 5/2023 Wagner D14/205
 D991,218 S * 7/2023 He D14/205
 2016/0080853 A1 * 3/2016 Chen H04R 1/1083
 381/74
 2016/0249133 A1 * 8/2016 Sørensen H04R 1/1066
 2017/0245043 A1 * 8/2017 Abbott H04R 1/1008
 2018/0063626 A1 * 3/2018 Pong G06F 1/163
 2019/0224491 A1 * 7/2019 Dominianni A61N 5/06
 2019/0230429 A1 * 7/2019 Bozaglo H04R 5/033
 2020/0053456 A1 * 2/2020 Williams H04R 1/347

OTHER PUBLICATIONS

Logitech, “G935 Wireless 7.1 Surround Lightsync Gaming Headset,” downloaded from <https://www.logitech.com/en-us/products/gaming-audio/g935-wireless-7-1-surround-sound-lightsync-gaming-headset.981-000742.html> on Nov. 17, 2021, 15 pages.
 Logitech, “G733 Lightspeed Wireless RGB Gaming Headset,” downloaded from <https://www.logitech.com/en-us/products/gaming-audio/g733-rgb-wireless-headset.981-000942.html> on Nov. 17, 2021, 16 pages.
 Razerstore, “Razer Opus—Black Wireless THX(registered) Certified Headphones with Advanced Active Noise Cancellation,” downloaded from <https://www.razer.com/mobile-headsets/razer-opus/RZ04-03430100-R3U1> on Nov. 17, 2021, 5 pages.
 Steelseries, “Arctis Pro Peerless High Resolution PC Gaming Headset,” downloaded from <https://steelseries.com/gaming-headsets/arctis-pro> on Nov. 17, 2021, 13 pages.

* cited by examiner

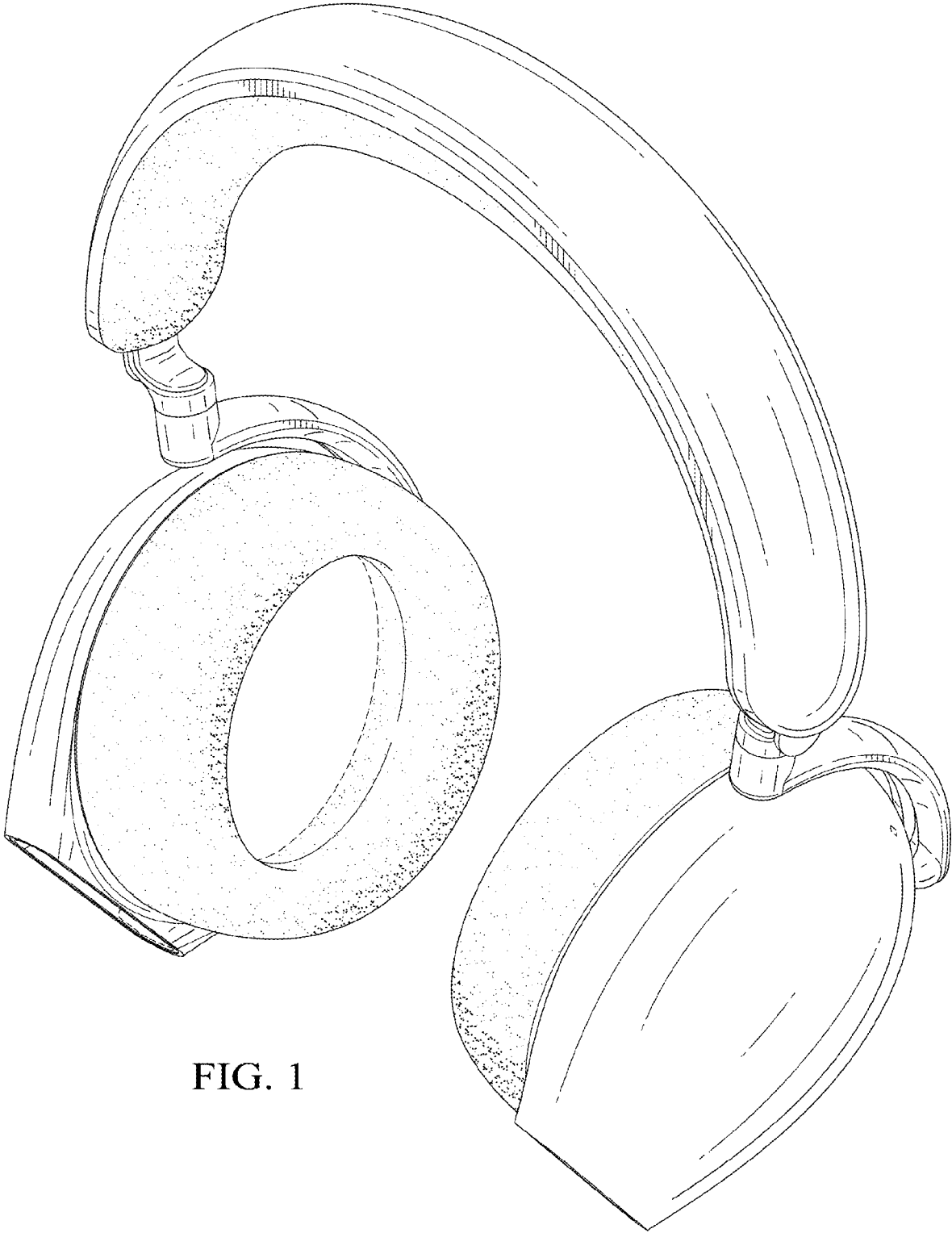


FIG. 1



FIG. 2



FIG. 3

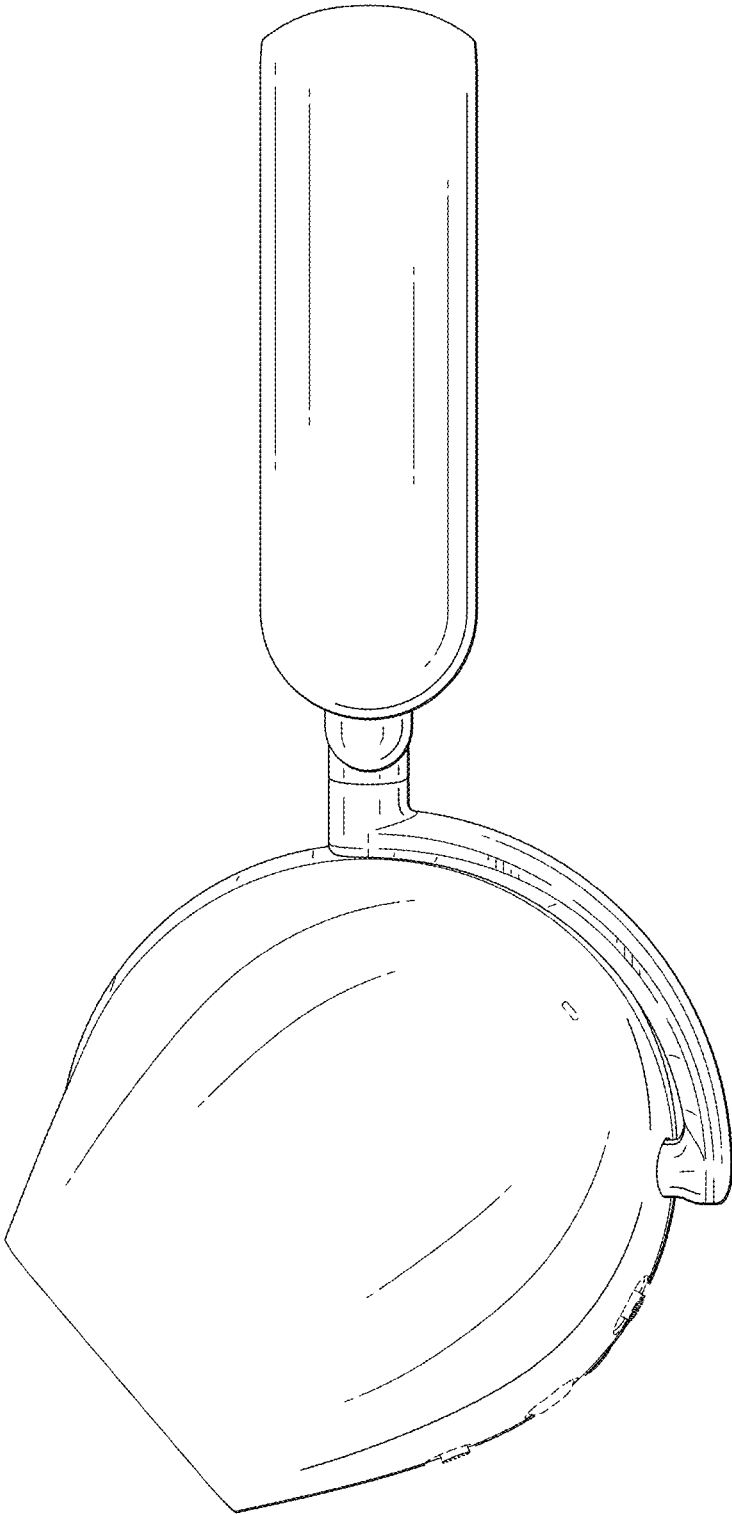


FIG. 4

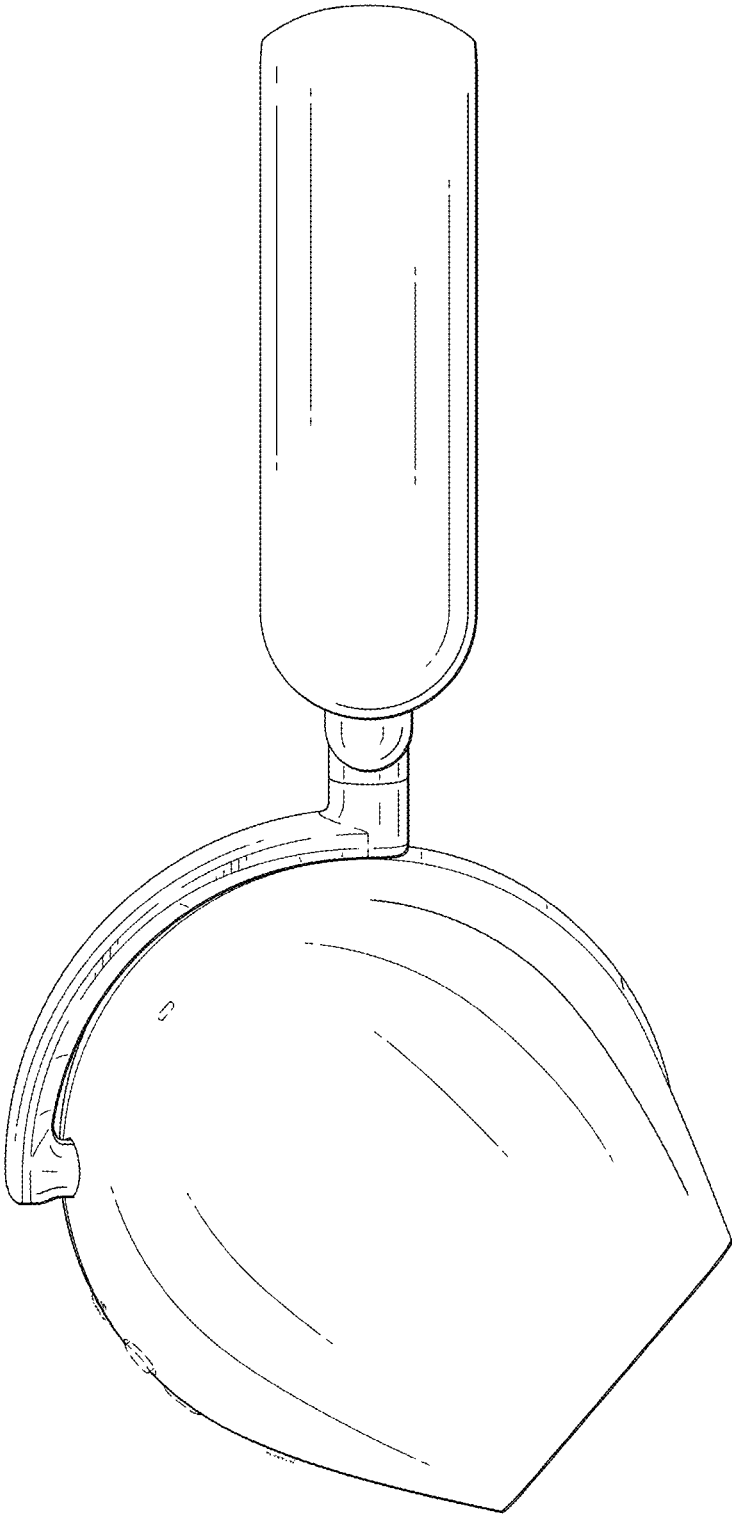


FIG. 5

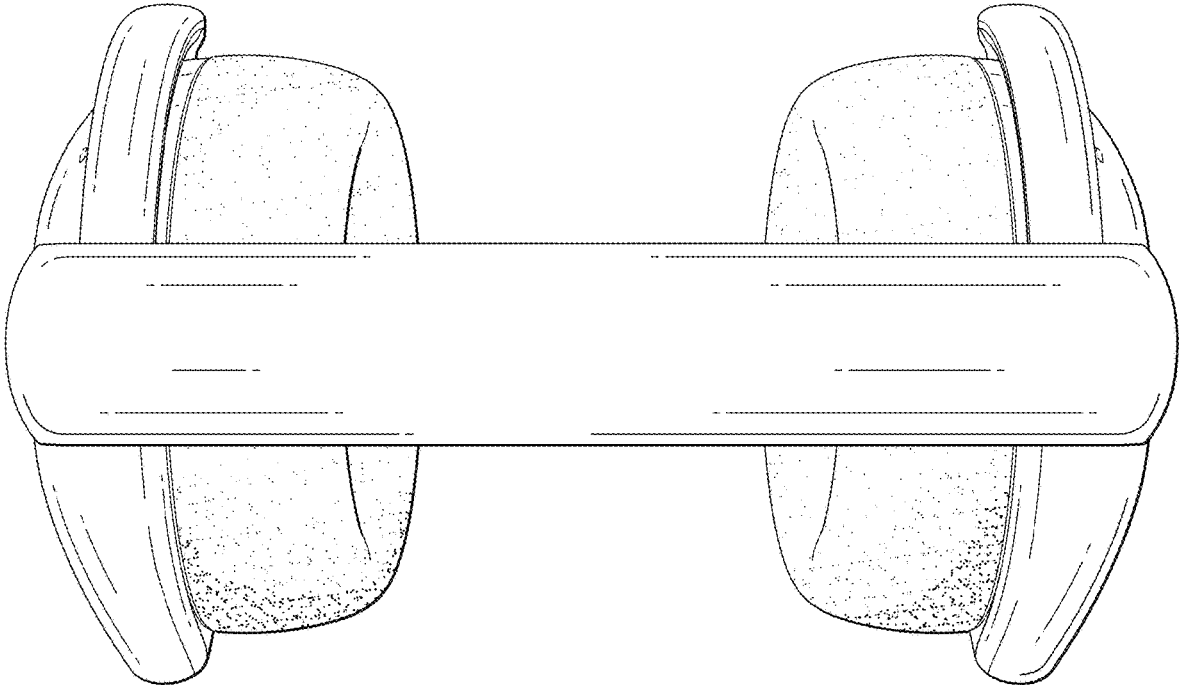


FIG. 6

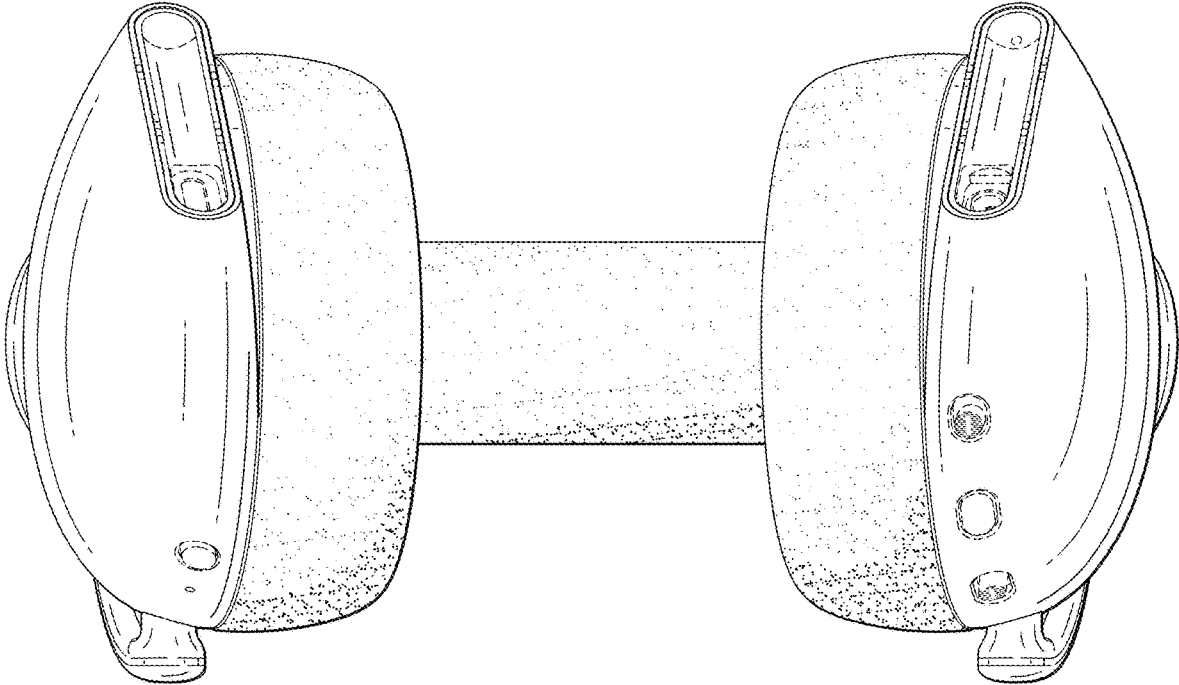


FIG. 7

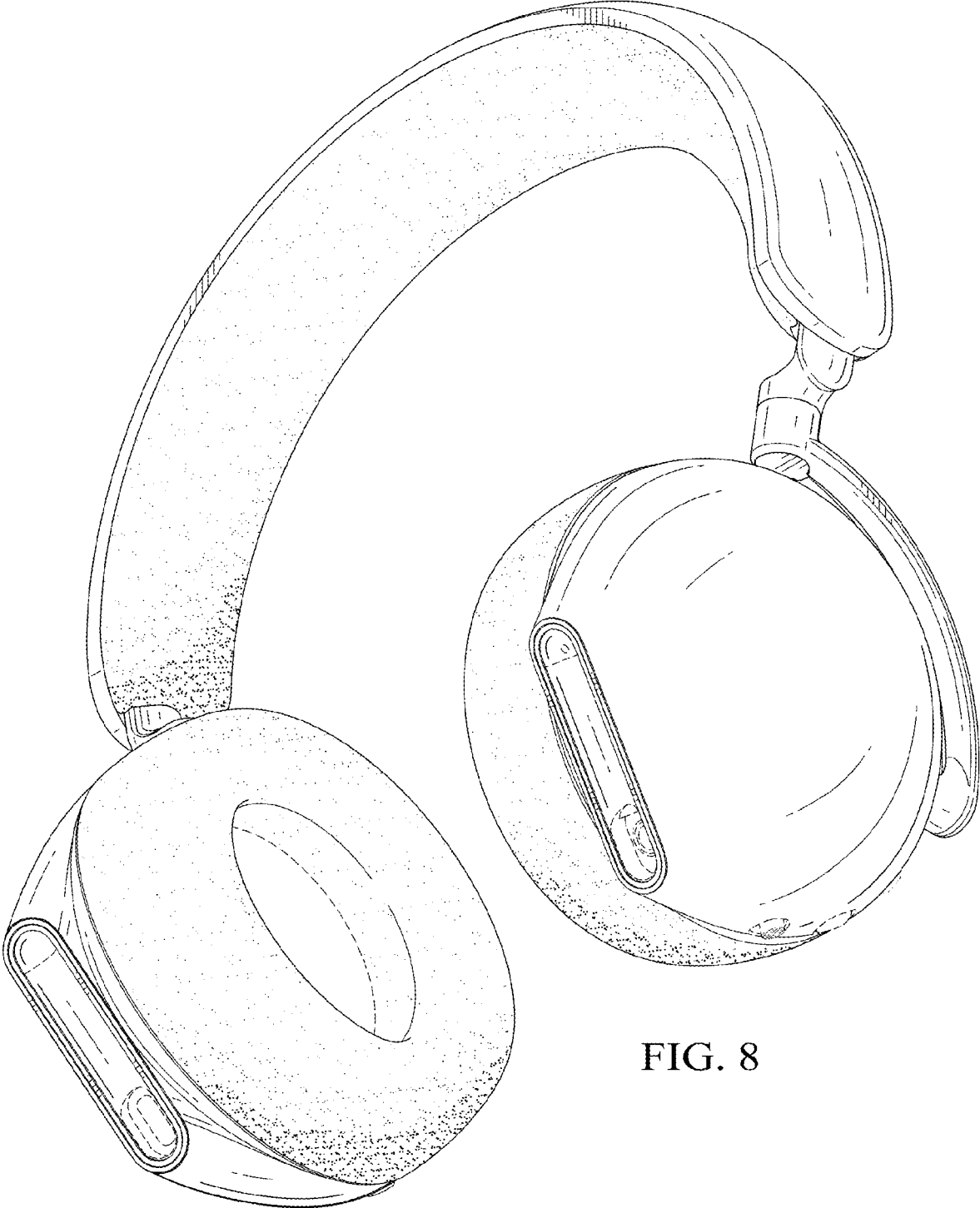


FIG. 8