



US00D954020S

(12) **United States Design Patent**
Wan

(10) **Patent No.:** **US D954,020 S**

(45) **Date of Patent:** **** Jun. 7, 2022**

(54) **HEADPHONE**

(71) Applicant: **Shenzhen Dingchuang Smart Manufacturing Company Limited**,
Guangdong (CN)

(72) Inventor: **Liang Wan**, Hanzhong (CN)

(73) Assignee: **Shenzhen Dingchuang Smart Manufacturing Company Limited**,
Guangdong (CN)

(**) Term: **15 Years**

(21) Appl. No.: **29/740,184**

(22) Filed: **Jul. 1, 2020**

(51) **LOC (13) Cl.** **14-01**

(52) **U.S. Cl.**

USPC **D14/205**

(58) **Field of Classification Search**

USPC D14/205, 188, 192; D21/483; D29/112;
2/209; 381/380, 381, 378-379;
455/90.3, 575.1, 569.1

CPC H04R 25/00; H04R 25/02; H04R 1/10;
H04R 5/033; H04R 5/0335; H04R
1/1016; H04R 1/1066; H04R 1/1091

See application file for complete search history.

(56) **References Cited**

U.S. PATENT DOCUMENTS

| | | | | | |
|-----------|------|---------|----------|-------|-------------|
| D369,604 | S * | 5/1996 | Morimiya | | D14/205 |
| D391,573 | S * | 3/1998 | Nakamura | | D14/205 |
| 5,862,241 | A * | 1/1999 | Nelson | | H04R 1/1066 |
| | | | | | 381/374 |
| D431,550 | S * | 10/2000 | Yoneda | | D14/205 |
| 7,457,649 | B1 * | 11/2008 | Wilson | | H04R 1/1025 |
| | | | | | 381/374 |
| D585,871 | S * | 2/2009 | Lee | | D14/205 |
| D585,872 | S * | 2/2009 | Lee | | D14/205 |
| D594,847 | S * | 6/2009 | Suzuki | | D14/205 |

| | | | | | |
|----------|-----|--------|-----------|-------|-------------|
| D637,579 | S * | 5/2011 | Hamaura | | D14/205 |
| D639,775 | S * | 6/2011 | Horibe | | D14/205 |
| D677,243 | S * | 3/2013 | Kitayama | | D14/205 |
| D706,240 | S * | 6/2014 | Szymanski | | H04R 1/1066 |
| | | | | | D14/205 |
| D706,241 | S * | 6/2014 | Szymanski | | H04R 1/1066 |
| | | | | | D14/205 |
| D708,164 | S * | 7/2014 | Ishikura | | D14/205 |
| D721,052 | S * | 1/2015 | Carr | | D14/205 |
| D722,998 | S * | 2/2015 | Sancho | | D14/205 |
| D726,174 | S * | 4/2015 | Wahlin | | D14/250 |
| D727,280 | S * | 4/2015 | Levine | | D14/205 |
| D727,281 | S * | 4/2015 | Levine | | D14/205 |
| D728,512 | S * | 5/2015 | Nakagawa | | D14/205 |
| D729,194 | S * | 5/2015 | Boeckel | | D14/205 |
| D733,090 | S * | 6/2015 | Petersen | | D14/205 |

(Continued)

FOREIGN PATENT DOCUMENTS

HK 1802329-0001 * 11/2018

Primary Examiner — Paula Allen Greene

(74) *Attorney, Agent, or Firm* — ScienBiziP, P.C.

(57) **CLAIM**

The ornamental design for a headphone, as shown and described.

DESCRIPTION

FIG. 1 is a front, right and top perspective view of a headphone, showing my design.

FIG. 2 is a front, right and bottom perspective view thereof.

FIG. 3 is a front elevation view thereof.

FIG. 4 is a rear elevation view thereof.

FIG. 5 is a left side elevation view thereof.

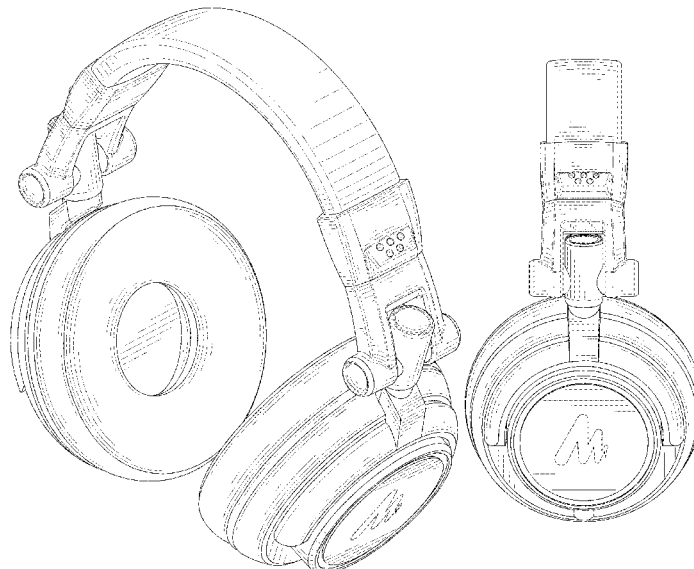
FIG. 6 is a right side elevation view thereof.

FIG. 7 is a top plan view thereof; and,

FIG. 8 is a bottom plan view thereof.

The broken lines depict portions of the headphone that form no part of the claimed design.

1 Claim, 8 Drawing Sheets



(56)

References Cited

U.S. PATENT DOCUMENTS

| | | | | | | | | | |
|--------------|---------|-----------|-------|---------|-------------------|---------|----------|-------|----------------------|
| D733,092 S * | 6/2015 | Gan | | D14/205 | D832,811 S * | 11/2018 | Levine | | D14/205 |
| D736,174 S * | 8/2015 | Levine | | D14/205 | D849,713 S * | 5/2019 | Hänggi | | D14/205 |
| D736,175 S * | 8/2015 | Levine | | D14/205 | D851,627 S * | 6/2019 | ter Laag | | D14/205 |
| D739,842 S * | 9/2015 | Birger | | D14/205 | D852,163 S * | 6/2019 | Nagamine | | D14/205 |
| D741,842 S * | 10/2015 | Levine | | D14/226 | D852,166 S * | 6/2019 | Levine | | D14/205 |
| D761,761 S * | 7/2016 | Ando | | D14/205 | D857,654 S * | 8/2019 | Levine | | D14/205 |
| D762,190 S * | 7/2016 | Levine | | D14/205 | D858,481 S * | 9/2019 | Saule | | D14/205 |
| D762,191 S * | 7/2016 | Levine | | D14/205 | D858,483 S * | 9/2019 | Hu | | D14/205 |
| D767,531 S * | 9/2016 | Szymanski | | D14/205 | D859,353 S * | 9/2019 | Wagner | | D14/205 |
| D772,841 S * | 11/2016 | Levine | | D14/205 | D859,354 S * | 9/2019 | Xia | | D14/205 |
| D780,155 S * | 2/2017 | Levine | | D14/223 | D865,706 S * | 11/2019 | Li | | D14/205 |
| D781,265 S * | 3/2017 | Levine | | D14/205 | D878,329 S * | 3/2020 | Levine | | D14/205 |
| D781,814 S * | 3/2017 | Levine | | D14/205 | D881,840 S * | 4/2020 | Chen | | D14/205 |
| D794,603 S * | 8/2017 | Riggs | | D14/205 | D893,453 S * | 8/2020 | Levine | | D14/205 |
| D800,691 S * | 10/2017 | Ando | | D14/205 | D920,283 S * | 5/2021 | Levine | | D14/205 |
| D805,056 S * | 12/2017 | Levine | | D14/205 | 2014/0363016 A1 * | 12/2014 | Blonder | | H03F 3/181 381/74 |
| D810,055 S * | 2/2018 | Levine | | D14/226 | 2015/0256918 A1 * | 9/2015 | Yuen | | H04R 1/10 381/378 |
| D811,365 S * | 2/2018 | Czaniecki | | D14/205 | 2017/0041696 A1 * | 2/2017 | Levine | | H04R 1/1033 |
| D812,588 S * | 3/2018 | Levine | | D14/225 | 2017/0134845 A1 * | 5/2017 | Milam | | H04R 1/1025 |
| D813,194 S * | 3/2018 | Loh | | D14/205 | 2017/0339479 A1 * | 11/2017 | Levine | | H04R 1/1016 |
| D820,810 S * | 6/2018 | Levine | | D14/205 | 2018/0020277 A1 * | 1/2018 | Briggs | | H01Q 9/0421 |
| D826,208 S * | 8/2018 | Czaniecki | | D14/205 | 2018/0020278 A1 * | 1/2018 | Levine | | H04R 1/1066 |
| | | | | | 2019/0387303 A1 * | 12/2019 | Levine | | H04R 1/1033 |

* cited by examiner

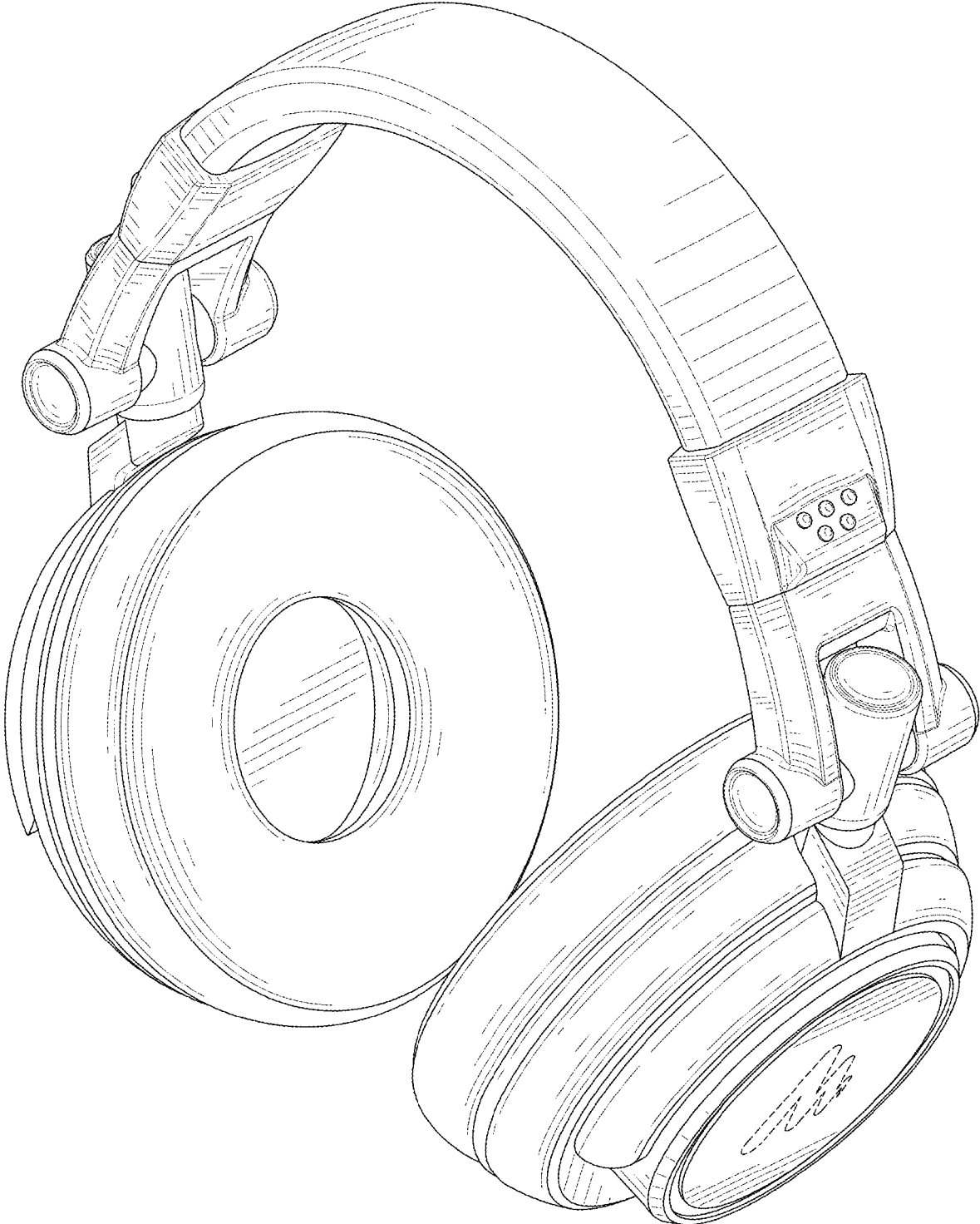


FIG. 1



FIG. 2



FIG. 3



FIG. 4

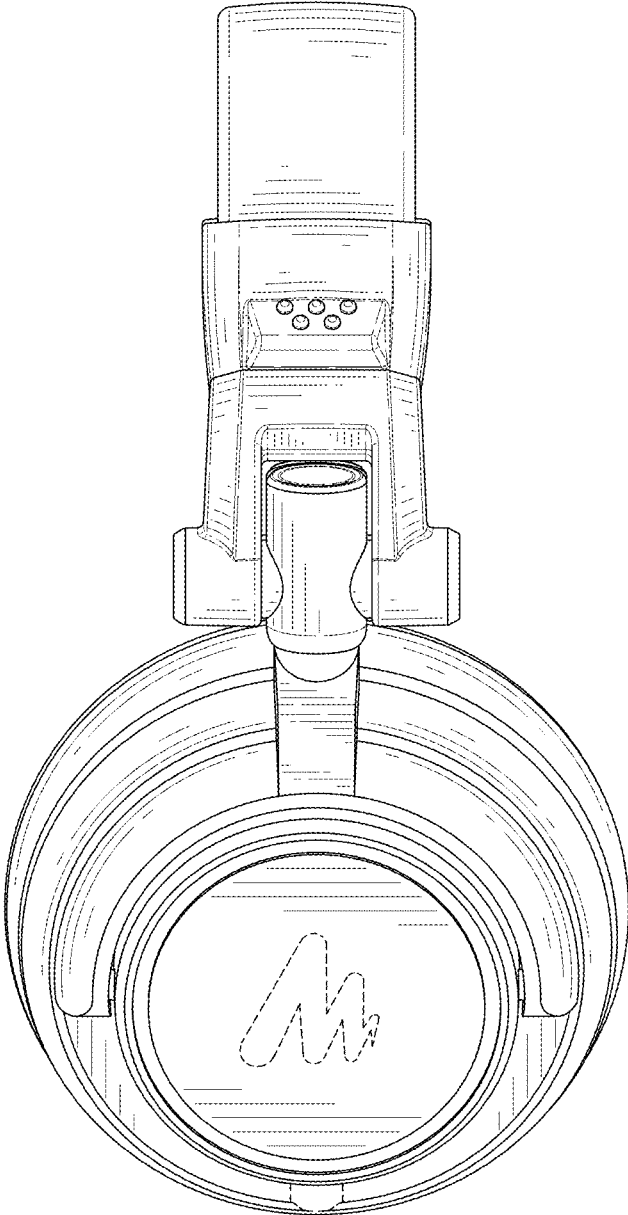


FIG. 5

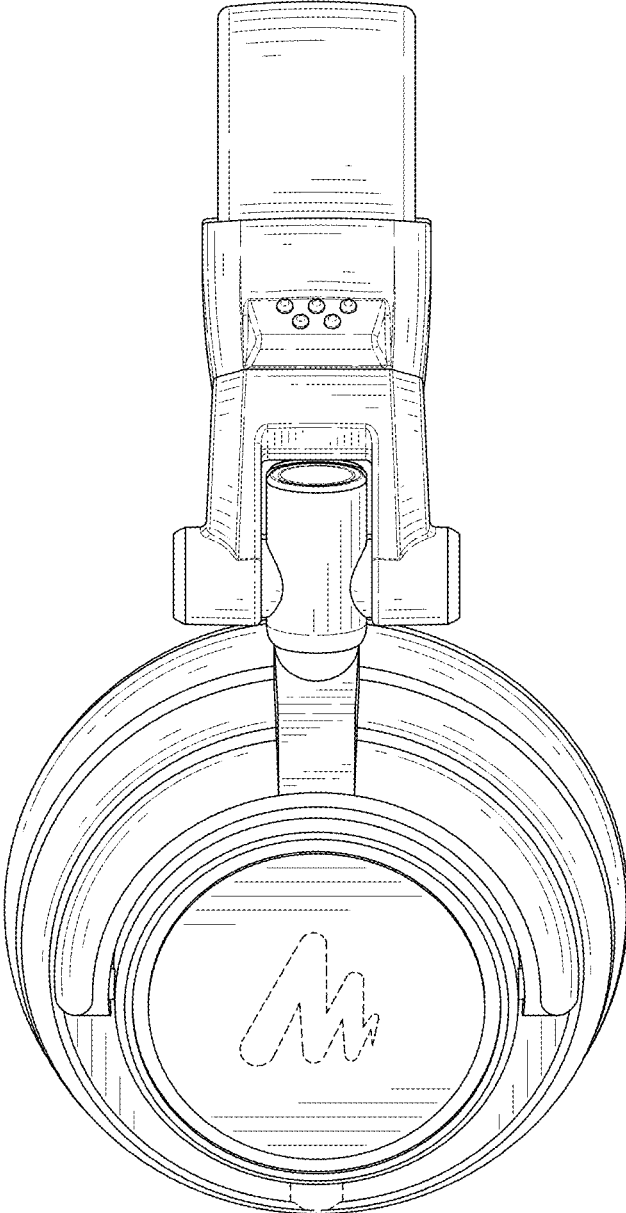


FIG. 6

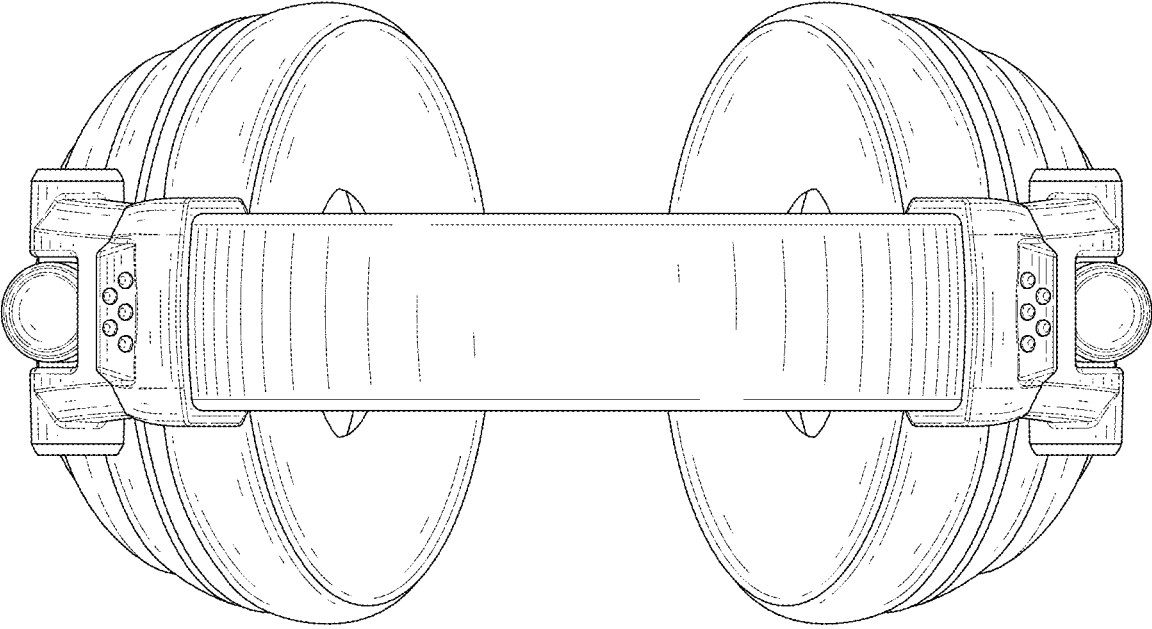


FIG. 7

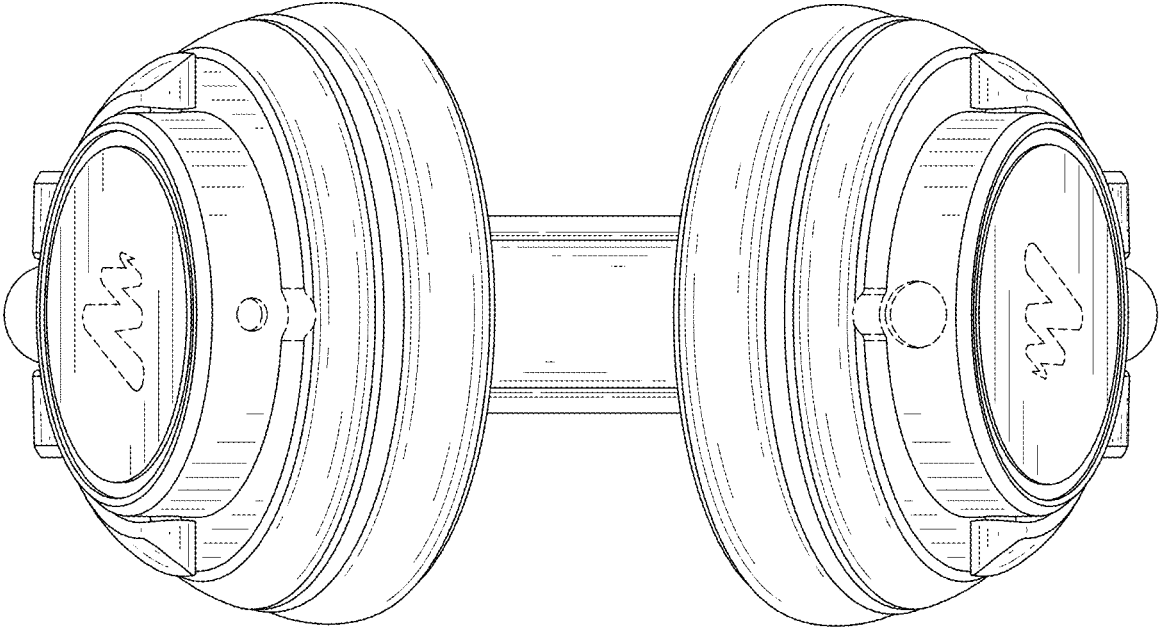


FIG. 8