



US00D937805S

(12) **United States Design Patent**  
**Bellham**

(10) **Patent No.:** **US D937,805 S**

(45) **Date of Patent:** **\*\* Dec. 7, 2021**

- (54) **HEADSET**
- (71) Applicant: **GN Audio A/S**, Ballerup (DK)
- (72) Inventor: **Philip Bellham**, Ballerup (DK)
- (73) Assignee: **GN AUDIO A/S**, Ballerup (DK)
- (\*\*) Term: **15 Years**
- (21) Appl. No.: **29/755,991**
- (22) Filed: **Oct. 23, 2020**

D246,242 S	11/1977	Bellini	
D255,352 S	6/1980	Besasic	
4,634,816 A *	1/1987	O'Malley	H04M 1/05 379/430
D328,461 S *	8/1992	Daido	D14/205
D405,449 S	2/1999	Nakamura et al.	
D468,723 S	1/2003	Pham et al.	
D476,639 S	7/2003	Bergeron et al.	
D552,077 S	10/2007	Brunner et al.	
D563,382 S	3/2008	Wikel	
D573,581 S	7/2008	Gondo et al.	
D588,098 S	3/2009	Kurihara	
D592,182 S	5/2009	Sanguinetti	
D625,705 S	10/2010	Ohori et al.	

(Continued)

**Related U.S. Application Data**

- (62) Division of application No. 29/690,704, filed on May 9, 2019, now Pat. No. Des. 913,988.

**Foreign Application Priority Data**

Nov. 30, 2018 (EM) ..... 005839834-0001

- (51) **LOC (13) Cl.** ..... **14-01**
- (52) **U.S. Cl.**  
USPC ..... **D14/205**
- (58) **Field of Classification Search**  
USPC ..... D14/205, 188, 192; D29/112; 2/209;  
381/380, 381, 374; 455/90.3, 575.1,  
455/569.1  
CPC ..... H04R 25/00; H04R 25/02; H04R 1/1066;  
H04R 1/1016; H04R 5/033; H04R  
5/0335; H04R 1/10; H04R 1/1091  
See application file for complete search history.

(56) **References Cited**

**U.S. PATENT DOCUMENTS**

2,075,196 A *	3/1937	Hand	H04R 1/1066 381/377
2,437,049 A *	3/1948	Salisbury	A61F 11/14 128/866
2,812,517 A *	11/1957	Bogart	A61F 11/06 2/174

**FOREIGN PATENT DOCUMENTS**

EM 002958611-0001 \* 1/2016

*Primary Examiner* — Paula Allen Greene

(74) *Attorney, Agent, or Firm* — Hamre, Schumann,  
Mueller & Larson, P.C.

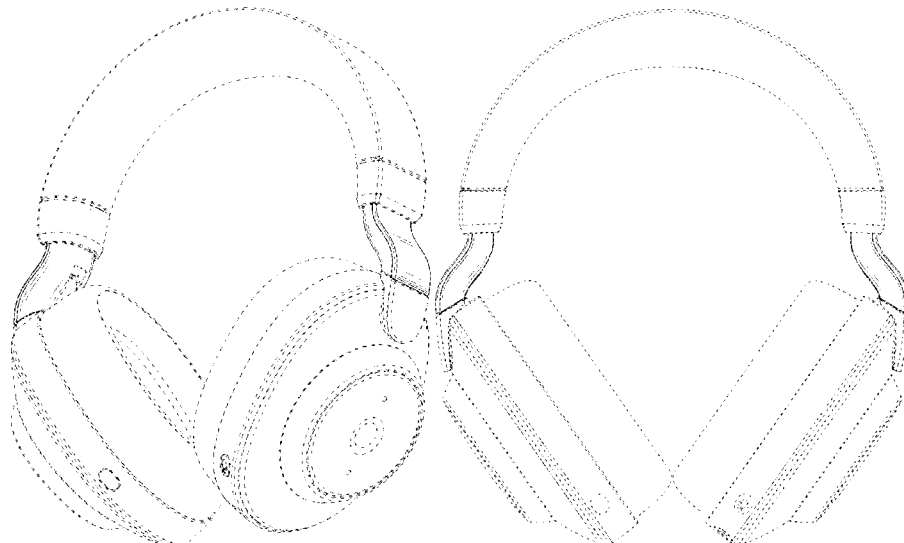
(57) **CLAIM**

The ornamental design for a headset, as shown and described.

**DESCRIPTION**

FIG. 1 is a top perspective view of the headset showing my new design.  
 FIG. 2 is bottom perspective view of FIG. 1 thereof.  
 FIG. 3 is a front view of FIG. 1 thereof.  
 FIG. 4 is a back view of FIG. 1 thereof.  
 FIG. 5 is a left side view of FIG. 1 thereof.  
 FIG. 6 is a right side view of FIG. 1 thereof.  
 FIG. 7 is a top view of FIG. 1 thereof.  
 FIG. 8 is a bottom view of FIG. 1 thereof.  
 The features shown in broken lines depict environmental subject matter only and form no part of the claimed design.

**1 Claim, 8 Drawing Sheets**



# US D937,805 S

(56)

## References Cited

### U.S. PATENT DOCUMENTS

D632,668 S	2/2011	Brunner et al.	
D634,732 S *	3/2011	Kondo .....	D14/205
D641,003 S	7/2011	Alden	
D642,554 S *	8/2011	Schaal .....	D14/205
8,098,872 B2	1/2012	Chang	
D657,344 S	4/2012	Brunner	
D658,156 S	4/2012	Olodort et al.	
D660,823 S	5/2012	Hardi et al.	
D660,824 S	5/2012	Hardi et al.	
D662,080 S *	6/2012	Carr .....	D14/205
D663,716 S	7/2012	Hardi et al.	
8,295,529 B2	10/2012	Petersen et al.	
D673,136 S	12/2012	Kelly et al.	
D673,518 S	1/2013	Tan	
D673,519 S	1/2013	Tan	
D673,520 S	1/2013	Tan	
D675,595 S	2/2013	Cho et al.	
D677,647 S	3/2013	Lee et al.	
D683,329 S	5/2013	Hagelin	
D686,190 S	7/2013	Karacal et al.	
D691,984 S	10/2013	Wang	
D695,262 S *	12/2013	Starck .....	D14/205
D711,850 S *	8/2014	Ang .....	H04R 1/1066 D14/205
D722,998 S *	2/2015	Sancho .....	D14/205
D724,561 S	3/2015	Ko	
D727,289 S *	4/2015	Czaniecki .....	D14/205
9,031,254 B2	5/2015	Heise	
D732,504 S	6/2015	Funayama	
D739,842 S	9/2015	Birger	
D750,041 S *	2/2016	Birger .....	D14/205
D759,626 S *	6/2016	Wagner .....	D14/205
D769,218 S	10/2016	Mittal	
D777,701 S *	1/2017	Czaniecki .....	D14/205
D797,075 S	9/2017	Mauro	
D806,675 S	1/2018	Fuglsang	
D806,676 S	1/2018	Fuglsang	
D839,236 S *	1/2019	Hardi .....	D14/205
D842,267 S	3/2019	Pedersen	
D842,270 S	3/2019	Chen	
D849,713 S	5/2019	Hanggi et al.	
D852,164 S *	6/2019	Mei .....	D14/205
D855,579 S *	8/2019	Clark .....	D14/205
D859,353 S *	9/2019	Wagner .....	D14/205
D877,114 S *	3/2020	Lindenberger .....	D14/205
D879,066 S	3/2020	Chen	
D881,840 S	4/2020	Chen	
D890,123 S	7/2020	Yoshimura	
D913,988 S *	3/2021	Bellham .....	D14/205
11,006,206 B2 *	5/2021	Morris .....	H04R 1/1066
2015/0245124 A1 *	8/2015	Lee .....	H04R 1/105 381/378
2016/0198250 A1	7/2016	Pan	

\* cited by examiner

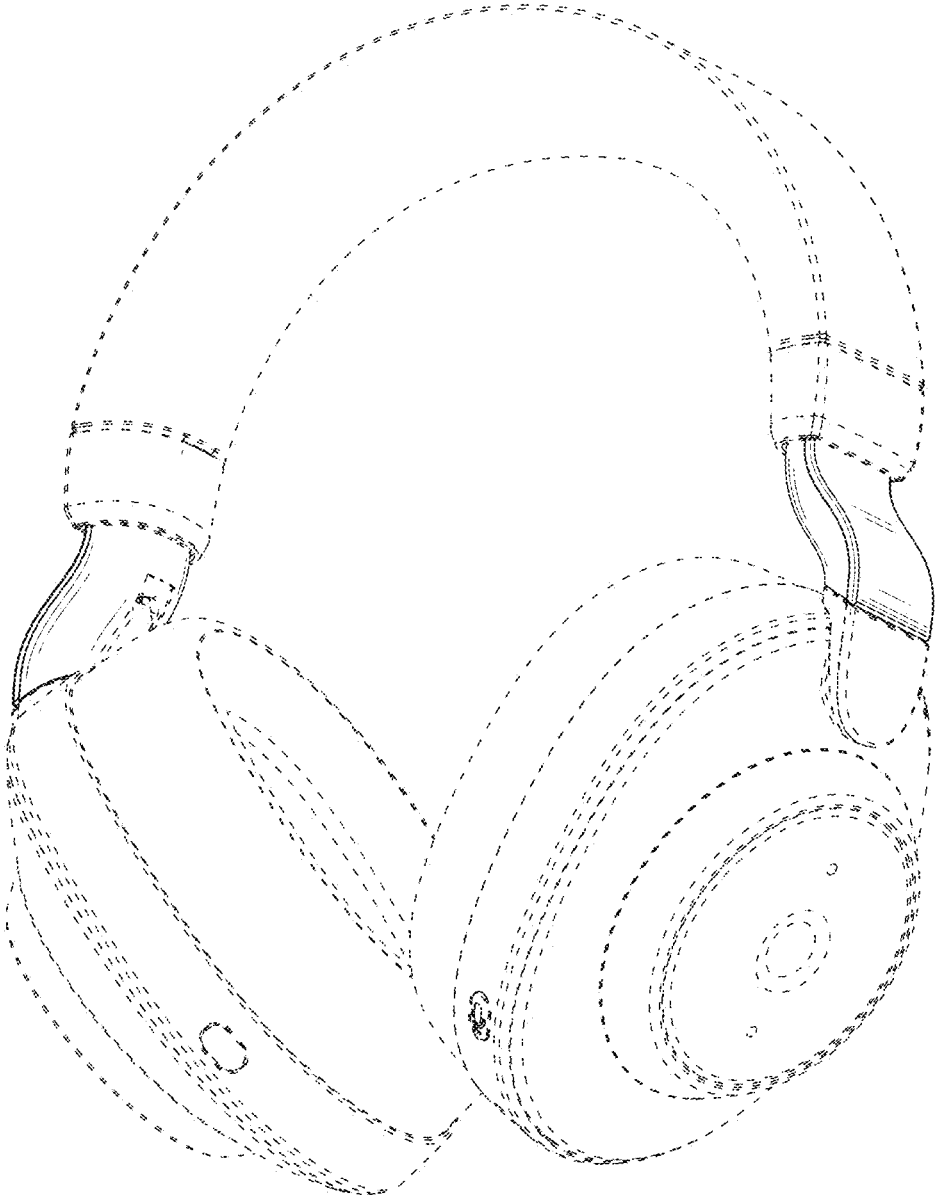


FIG. 1

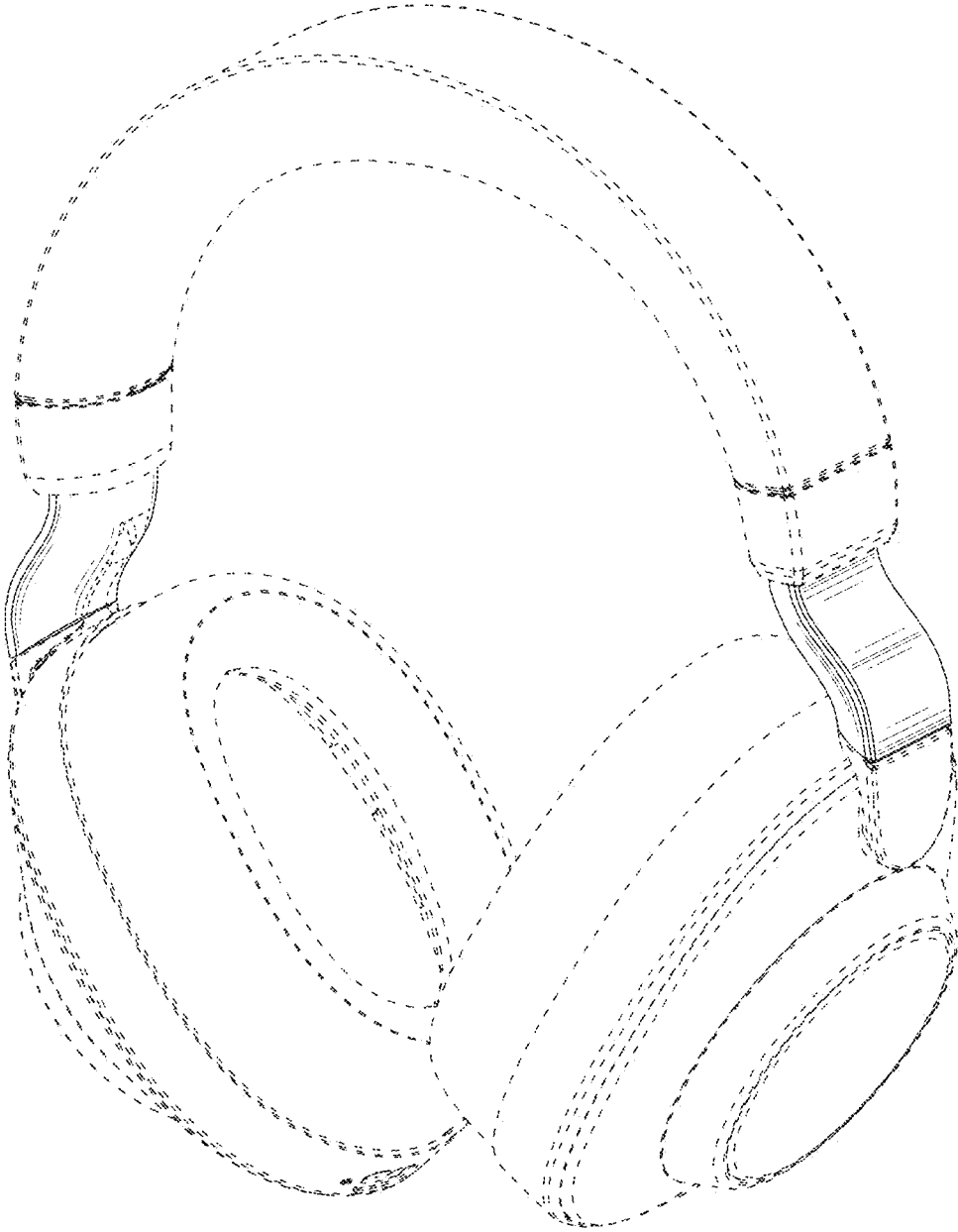


FIG. 2

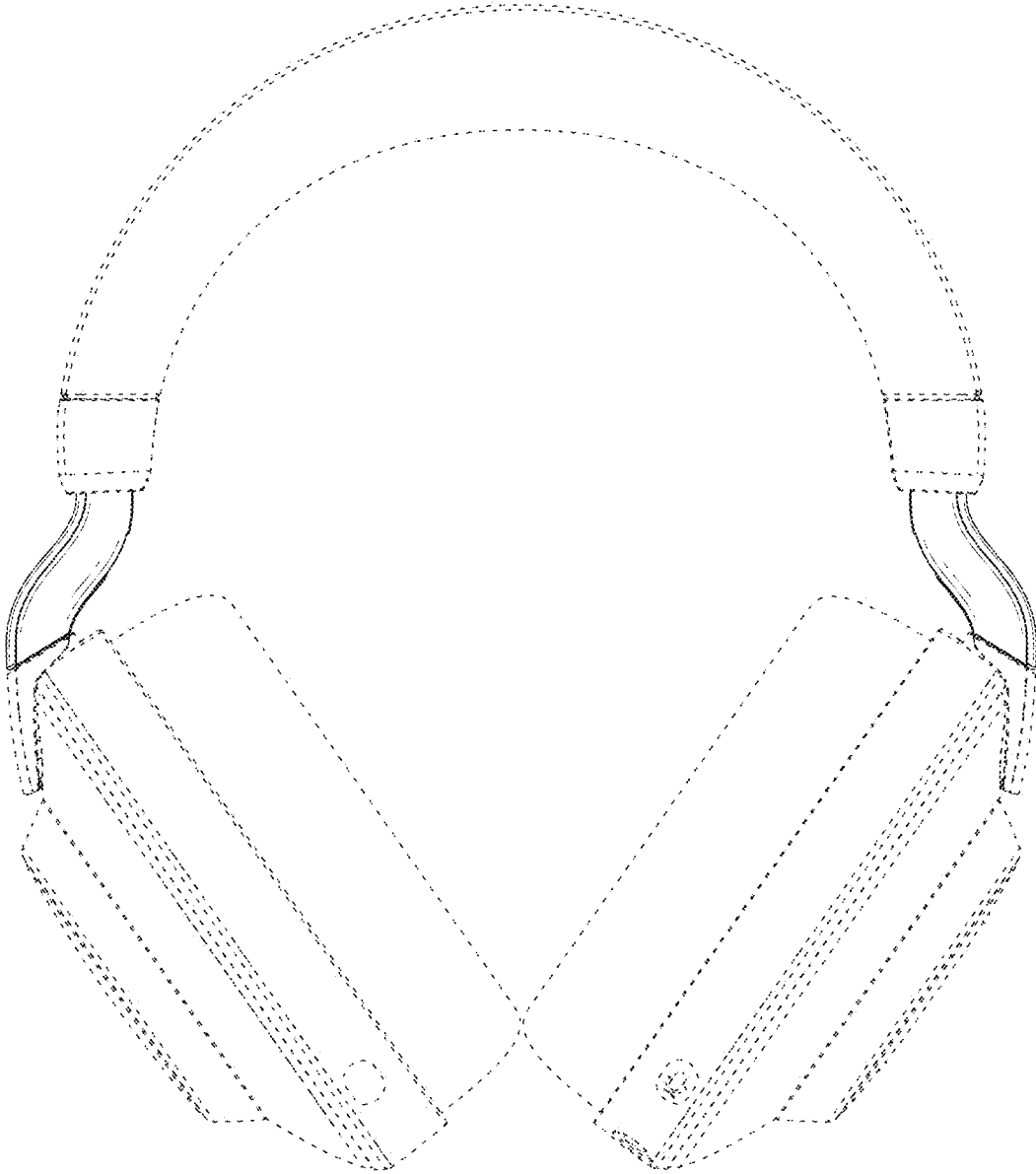


FIG. 3

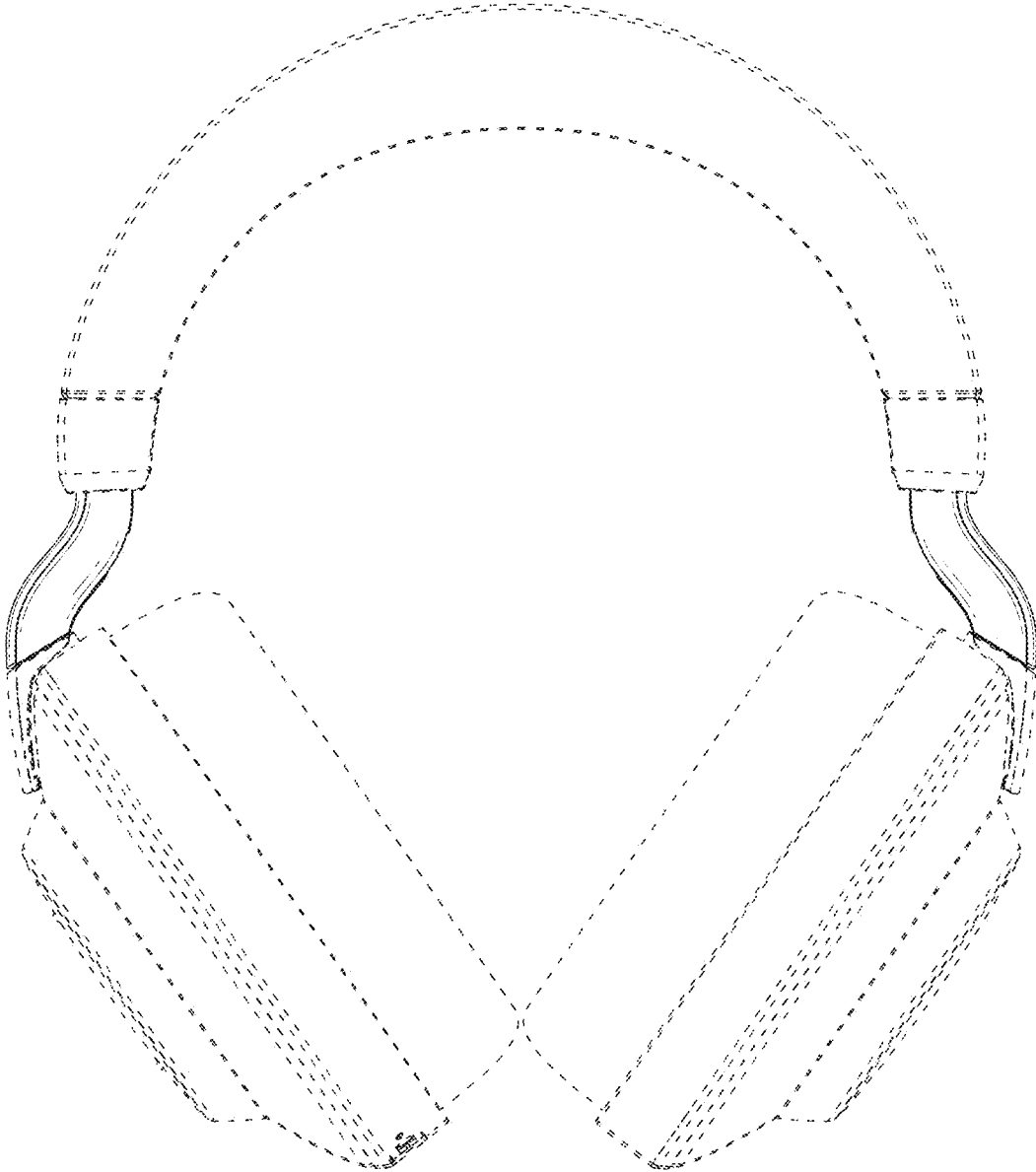


FIG. 4

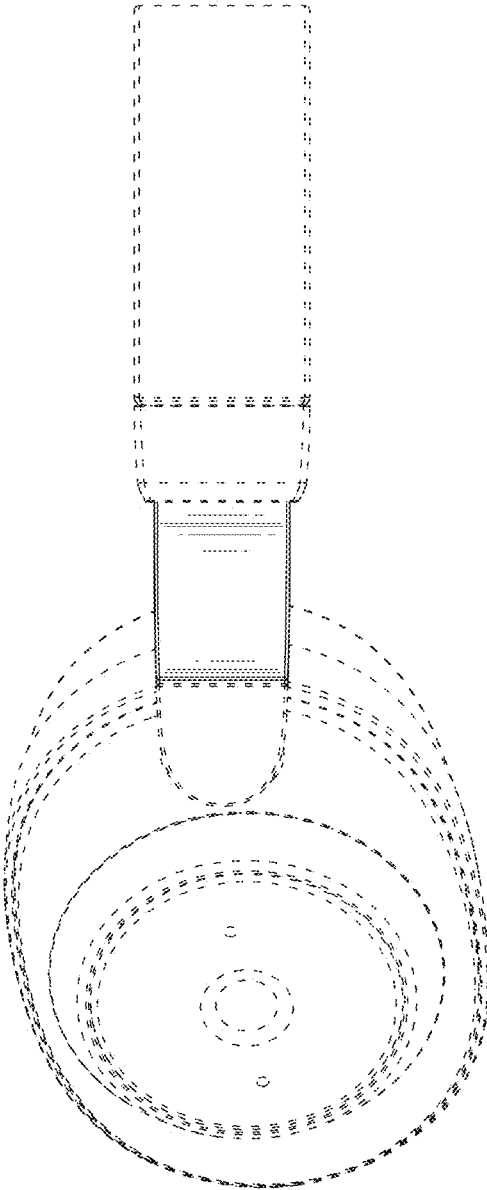


FIG. 5

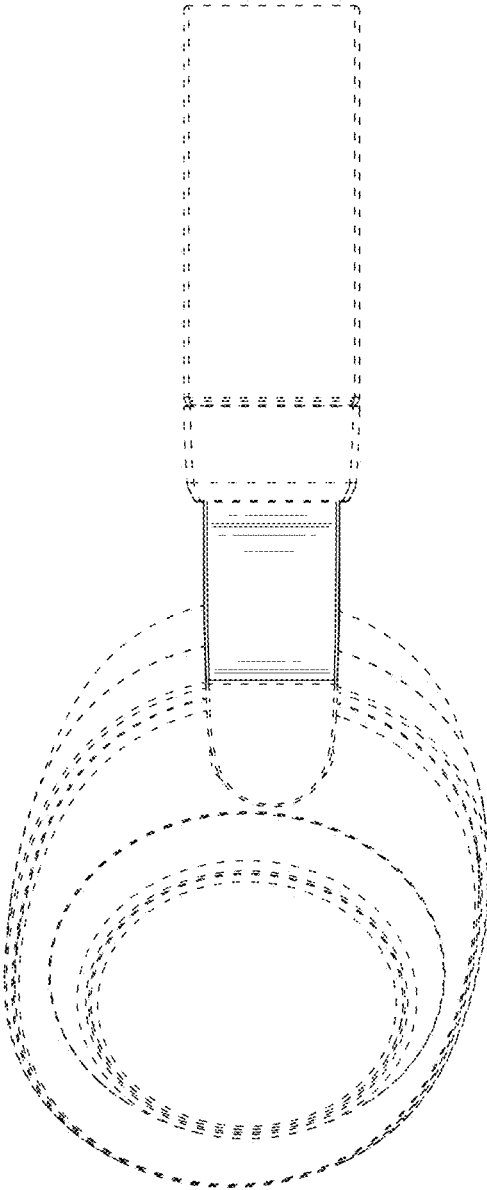


FIG. 6



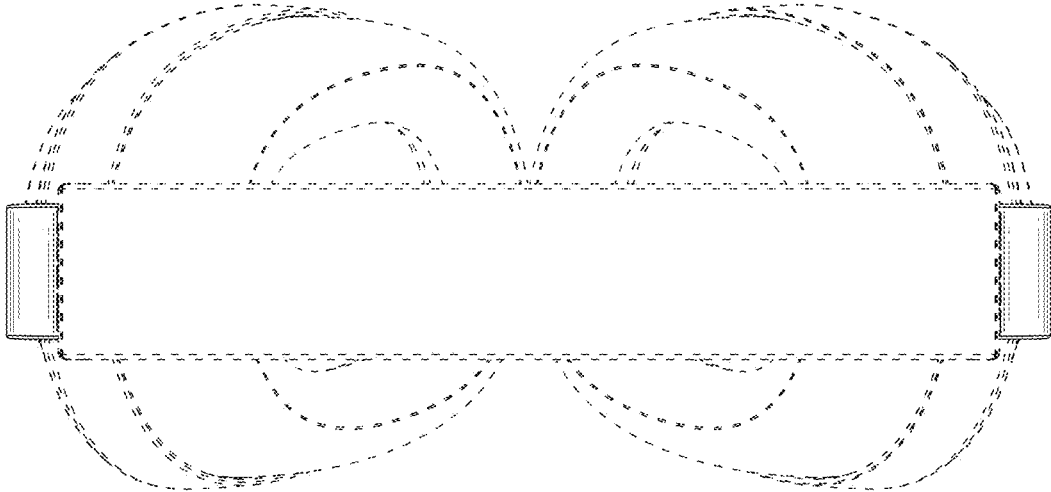


FIG. 7

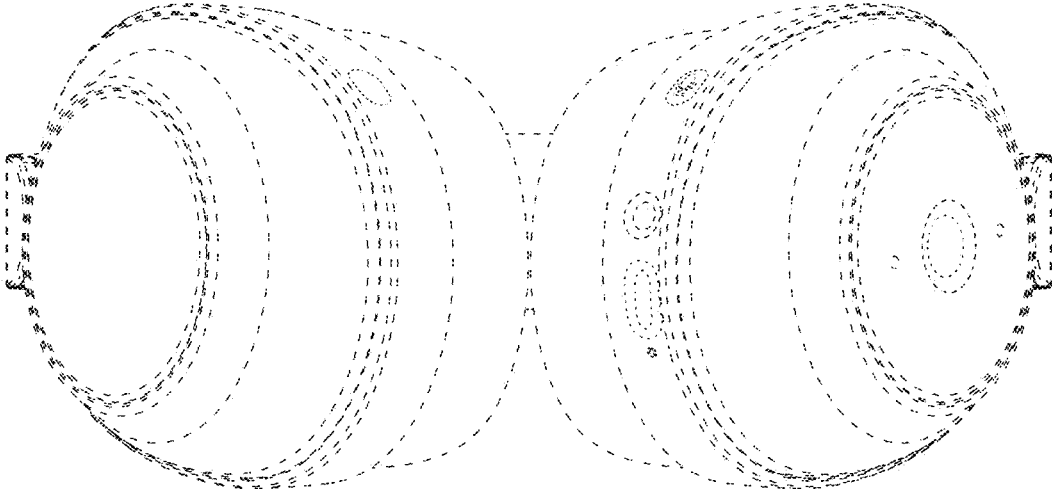


FIG. 8