



US00D607163S

(12) **United States Design Patent**
Swiderski

(10) **Patent No.:** **US D607,163 S**

(45) **Date of Patent:** **** Dec. 29, 2009**

(54) **LAUNDRY COMPOSITION COMPONENT**

(75) Inventor: **Zbigniew Swiderski**, Bernardsville, NJ
(US)

(73) Assignee: **Conopco, Inc.**, Englewood Cliffs, NJ
(US)

(**) Term: **14 Years**

(21) Appl. No.: **29/307,850**

(22) Filed: **May 15, 2008**

(30) **Foreign Application Priority Data**

| | | | |
|---------------|------|-------|---------|
| Nov. 16, 2007 | (GB) | | 4005291 |
| Nov. 16, 2007 | (GB) | | 4005292 |
| Nov. 16, 2007 | (GB) | | 4005293 |
| Nov. 16, 2007 | (GB) | | 4005294 |
| Nov. 16, 2007 | (GB) | | 4005295 |
| Nov. 16, 2007 | (GB) | | 4005296 |
| Nov. 16, 2007 | (GB) | | 4005297 |
| Nov. 16, 2007 | (GB) | | 4005298 |
| Nov. 16, 2007 | (GB) | | 4005299 |
| Nov. 16, 2007 | (GB) | | 4005300 |

(51) **LOC (9) Cl.** **15-05**

(52) **U.S. Cl.** **D32/29.1**

(58) **Field of Classification Search** D32/25,
D32/29.1; D19/59-60, 64; D23/366-368;
D14/458-461; D28/8.1-8.2; D9/710, 715,
D9/727; D8/70; D7/506, 551.1, 580, 672,
D7/675; D6/404, 442, 588; D21/795

See application file for complete search history.

(56) **References Cited**

U.S. PATENT DOCUMENTS

| | | | | |
|-------------------|---------|----------------|-------|---------|
| 1,209,998 A * | 12/1916 | Pinckert | | 40/27.5 |
| D198,800 S * | 8/1964 | Kecklar | | D6/442 |
| D223,578 S * | 5/1972 | Labreque | | D23/368 |
| D244,676 S * | 6/1977 | Kobashikawa | | D11/44 |
| D439,321 S * | 3/2001 | Matthew et al. | | D23/366 |
| 2005/0268826 A1 * | 12/2005 | Ferreira | | 108/78 |

* cited by examiner

Primary Examiner—T. Chase Nelson

Assistant Examiner—Kathleen M Sims

(74) *Attorney, Agent, or Firm*—Alan A. Bornstein

(57) **CLAIM**

The ornamental design for a laundry composition component, as shown and described.

DESCRIPTION

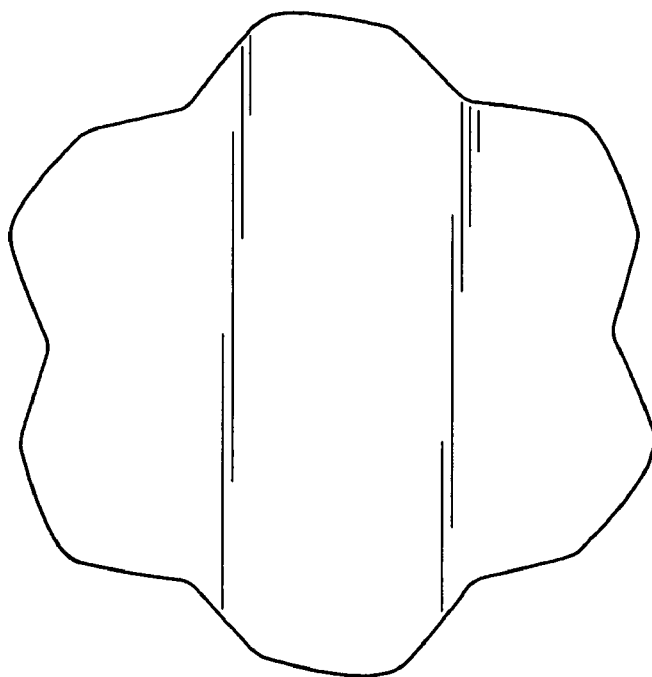
FIG. 1 is a perspective view of the laundry composition component showing my new design;

FIG. 2 is a front elevational view of one side of the laundry composition component shown in FIG. 1, the rear side elevational view being identical;

FIG. 3 is a right side elevational view of the laundry composition component shown in FIG. 1, the left side elevational view being identical; and,

FIG. 4 is a top plan view of the laundry composition component shown in FIG. 1, the bottom plan view being identical.

1 Claim, 2 Drawing Sheets



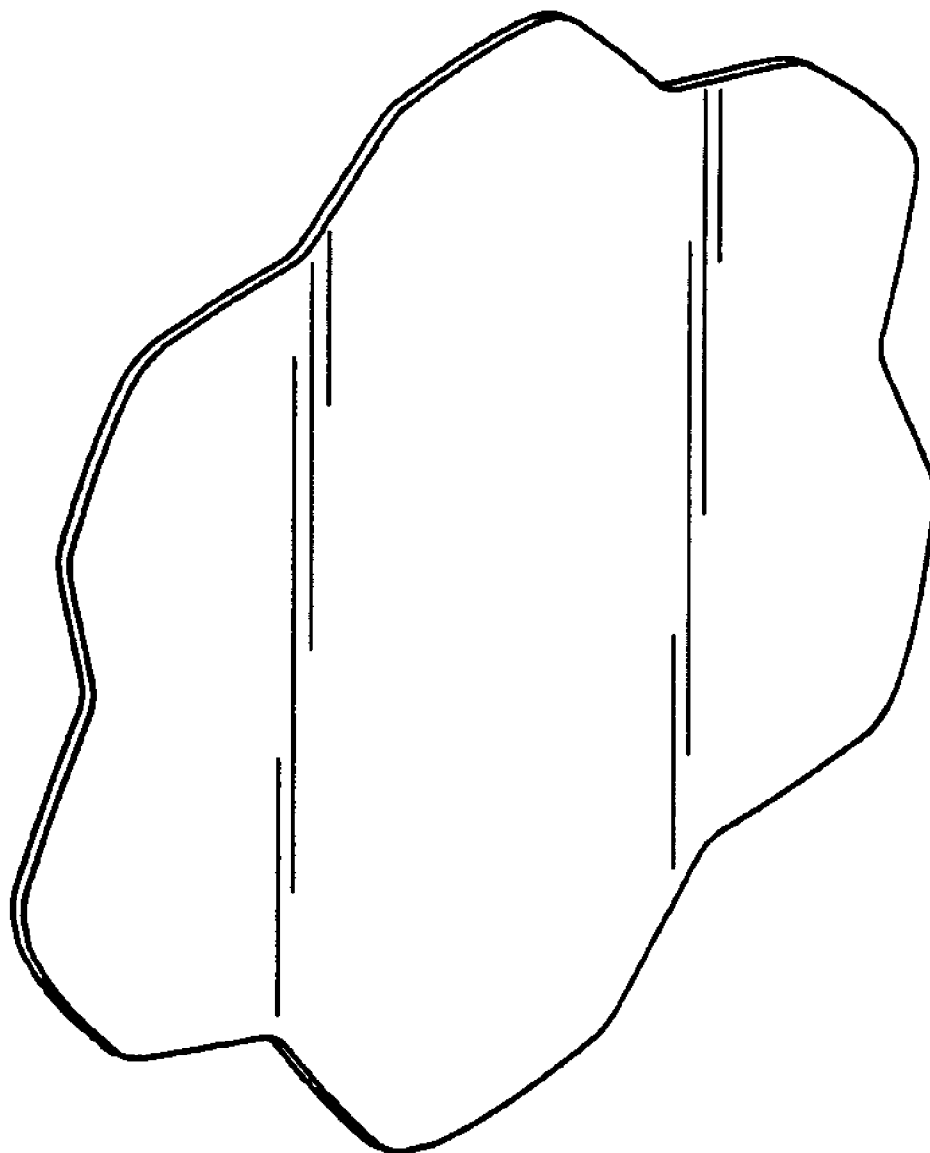


Fig. 1.

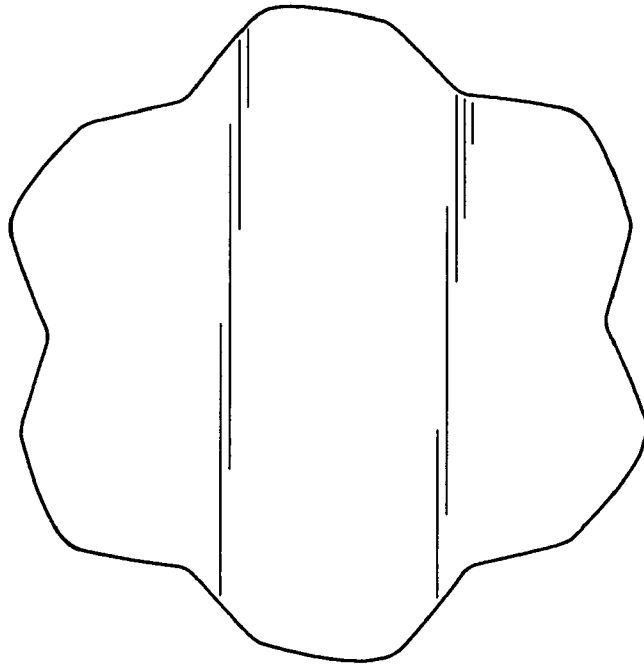


Fig.2.



Fig.3.



Fig.4.