

**(12) PATENT**  
**(19) AUSTRALIAN PATENT OFFICE**

**(11) Application No. AU 199929934 B2**  
**(10) Patent No. 748582**

(54) Title  
Gigabit ethernet transceiver

(51)<sup>6</sup> International Patent Classification(s)  
H04B 003/20

(21) Application No: 199929934

(22) Application Date: 1999 .03 .08

(87) WIPO No: W099/46867

(30) Priority Data

| (31) Number | (32) Date    | (33) Country |
|-------------|--------------|--------------|
| 09/037328   | 1998 .03 .09 | US           |
| 09/078466   | 1998 .05 .14 | US           |
| 09/078993   | 1998 .05 .14 | US           |
| 09/143476   | 1998 .08 .28 | US           |

(43) Publication Date : 1999 .09 .27

(43) Publication Journal Date : 1999 .11 .25

(44) Accepted Journal Date : 2002 .06 .06

(71) Applicant(s)  
Broadcom Corporation

(72) Inventor(s)  
Oscar E. Agazzi; John L. Creigh; Mehdi Hatamian

(74) Agent/Attorney  
F B RICE and CO,605 Darling Street,BALMAIN NSW 2041

(56) Related Art  
US 5388092  
US 5539773

29934/99



PCT

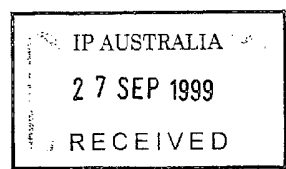
WORLD INTELLECTUAL PROPERTY ORGANIZATION  
International Bureau

INTERNATIONAL APPLICATION PUBLISHED UNDER THE PATENT COOPERATION TREATY (PCT)

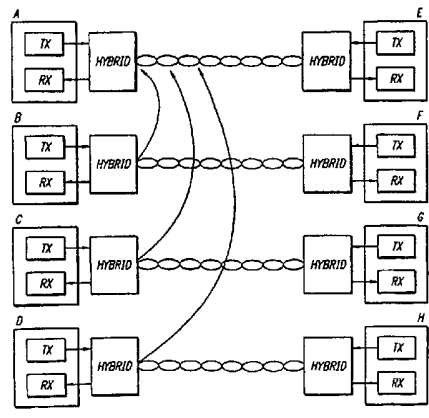
|  |  |  |   |
|--|--|--|---|
| (51) International Patent Classification <sup>6</sup> :<br><b>H04B 3/20</b>  |  | <b>A1</b>  | (11) International Publication Number: <b>WO 99/46867</b>         |
|  |  |  | (43) International Publication Date: 16 September 1999 (16.09.99) |
| (21) International Application Number: PCT/US99/05145  |  | (81) Designated States: AL, AM, AT, AU, AZ, BA, BB, BG, BR, BY, CA, CH, CN, CU, CZ, DE, DK, EE, ES, FI, GB, GE, GH, GM, HR, HU, ID, IL, IN, IS, JP, KE, KG, KP, KR, KZ, LC, LK, LR, LS, LT, LU, LV, MD, MG, MK, MN, MW, MX, NO, NZ, PL, PT, RO, RU, SD, SE, SG, SI, SK, SL, TJ, TM, TR, TT, UA, UG, US, UZ, VN, YU, ZW, ARIPO patent (GH, GM, KE, LS, MW, SD, SL, SZ, UG, ZW), Eurasian patent (AM, AZ, BY, KG, KZ, MD, RU, TJ, TM), European patent (AT, BE, CH, CY, DE, DK, ES, FI, FR, GB, GR, IE, IT, LU, MC, NL, PT, SE), OAPI patent (BF, BJ, CF, CG, CI, CM, GA, GN, GW, ML, MR, NE, SN, TD, TG). |   |
| (22) International Filing Date: 8 March 1999 (08.03.99)  |  |  |   |
| (30) Priority Data:<br>09/037,328 9 March 1998 (09.03.98) US<br>09/078,466 14 May 1998 (14.05.98) US<br>09/078,933 14 May 1998 (14.05.98) US<br>09/143,476 28 August 1998 (28.08.98) US  |  |  |   |
| (71) Applicant (for all designated States except US): BROADCOM CORPORATION [US/US]; 16215 Alton Parkway, Irvine, CA 92618 (US).  |  |  |   |
| (72) Inventors; and<br>(75) Inventors/Applicants (for US only): AGAZZI, Oscar, E. [AR/US]; 38 Deerfield Street, Irvine, CA 92606 (US). CREIGH, John, L. [US/US]; 19 Obispo, Rancho Santa Margarita, CA 92688 (US). HATAMIAN, Mehdi [US/US]; 25681 Pacific Hills Drive, Mission Viejo, CA 92692 (US). |  |  |   |
| (74) Agent: ELDREDGE, John, W.; Christie, Parker & Hale, LLP, P.O. Box 7068, Pasadena, CA 91109-7068 (US).   |  |  |   |



Published  
With international search report.  
Before the expiration of the time limit for amending the claims and to be republished in the event of the receipt of amendments.



(54) Title: GIGABIT ETHERNET TRANSCEIVER



(57) Abstract

A communication line having a plurality of twisted wire pairs, a plurality of transmitters (A, B, C, D, E, F, G, H), one transmitter at each end of each twisted wire pair and a plurality of receivers (A, B, C, D, E, F, G, H), one receiver at each end of each twisted wire pair, form part of a communications system having a prespecified threshold error. Each receiver receives a combination signal including a direct signal from the transmitter at the opposite end of the twisted wire pair with which the receiver is associated and a plurality of noise signals. A plurality of adaptive filters is responsive to the combination signal. Each adaptive filter has a plurality of taps each having a coefficient. Each tap is switchable between an active and an inactive state. A control device provides for adjustment of the transfer function of at least one of the adaptive filters by selectively deactivating the taps while ensuring that the error of the communications system does not exceed the threshold error.

## GIGABIT ETHERNET TRANSCEIVER

## CROSS-REFERENCE TO RELATED APPLICATIONS

This is a continuation-in-part of the following co-pending applications:  
 5 S/N 09/037,328, filed March 9, 1998, entitled APPARATUS FOR, AND  
 METHOD OF, REDUCING NOISE IN A COMMUNICATIONS SYSTEM,  
 inventor Oscar E. Agazzi; S/N 09/078,466, filed May 14, 1998, entitled  
 STARTUP PROTOCOL FOR HIGH THROUGHPUT COMMUNICATIONS  
 SYSTEMS, inventors Oscar E. Agazzi and John L. Creigh; S/N 09/078,933,  
 10 filed May 14, 1998, entitled STARTUP PROTOCOL FOR HIGH  
 THROUGHPUT COMMUNICATIONS SYSTEMS, inventor Oscar E. Agazzi;  
 and S/N 09/143,476, filed August 28, 1998, entitled APPARATUS FOR, AND  
 METHOD OF, REDUCING POWER DISSIPATION IN A COMMUNICATIONS  
 SYSTEM, inventors Oscar E. Agazzi, John L. Creigh, and Mehdi Hatamian.

## BACKGROUND OF THE INVENTION

The invention relates to systems for reducing the noise present in the  
 signals received and processed by devices within a communications system  
 and to systems for reducing such noise in communications systems having  
 20 high throughputs. The invention also relates to systems for, and methods of,  
 reducing the power dissipation in devices within a communications system and  
 to systems for, and methods of, reducing such power dissipation in  
 communications systems having high throughputs. A "high throughput" as used  
 within the context of this disclosure may include, but is not limited to, one  
 25 gigabit (GB) per second.

A basic communications system is illustrated in FIG. 1. The system  
 includes a hub and a plurality of computers serviced by the hub in a local area  
 network (LAN). Four computers are shown by way of illustration but a different  
 number of computers may be contained within the system. Each of the  
 30 computers is usually displaced from the hub by a distance which may be as  
 great as approximately one hundred meters (100 m.). The computers are also  
 displaced from each other. The hub is connected to each of the computers by a  
 communications line. Each communication line includes unshielded twisted  
 pairs of wires or cables. Generally, the wires or cables are formed from copper.  
 35 Four unshielded twisted pairs of wires are provided in each communication line  
 between each computer and the hub. The system shown in FIG. 1 is operative  
 with several categories of unshielded twisted pairs of cables designated as  
 categories 3, 4, 6 and 7 in the telecommunications industry. Category 3 cables  
 are the poorest quality (and lowest cost) and category 6 and 7 cables are the  
 40 best quality (and highest cost).

Associated with each communications system is a "throughput". The  
 throughput of a system is the rate at which the system processes data and is  
 usually expressed in bits/second.



1 Most communications systems have throughputs of 10 megabits (Mb)/second or 100 Mb/second.  
A rapidly evolving area of communications system technology enables 1 Gb/second full-duplex  
communication over existing category-5 unshielded twisted pair cables. Such a system is  
commonly referred to as "Gigabit Ethernet."

5 A portion of a typical Gigabit Ethernet is shown in FIG. 2. The Gigabit Ethernet provides  
for transmission of digital signals between one of the computers and the hub and the reception  
of such signals at the other of the computer and the hub. A similar system can be provided for  
each of the computers. The system includes a gigabit medium independent interface (GMII)  
block which receives data in byte-wide format at a specified rate, for example 125 MHz, and  
10 passes the data onto the physical coding sublayer (PCS) which performs scrambling, coding, and  
a variety of control functions. The PCS encodes bits from the GMII into 5-level pulse amplitude  
modulation (PAM) signals. The five symbol levels are -2, -1, 0, +1, and +2. Communication  
between the computer and hub is achieved using four unshielded twisted pairs of wires or cables,  
each operating at 250 Mb/second, and eight transceivers, one positioned at each end of a  
15 unshielded twisted pair. The full-duplex bidirectional operation provides for the use of hybrid  
circuits at the two ends of each unshielded twisted pair. The hybrid controls access to the  
communication line, thereby allowing for full-duplex bidirectional operation between the  
transceivers at each end of the communications line.

20 A common problem associated with communications systems employing multiple  
unshielded twisted pairs and multiple transceivers is the introduction of crosstalk and echo noise  
or impairment signals into the transmission signals. Noise is inherent in all such  
communications systems regardless of the system throughput. However, the effects of these  
impairment signals are magnified in Gigabit Ethernet. Impairment signals include echo, near-  
end crosstalk (NEXT), and far-end crosstalk (FEXT) signals. As a result of these impairment  
25 signals the performance of the transceivers, particularly the receiver portion, is degraded.

NEXT is an impairment signal that results from capacitive and inductive coupling of the  
signals from the near-end transmitters to the input of the receivers. The NEXT impairment  
signals encountered by the receiver in transceiver A are shown in FIG. 3. The crosstalk signals  
from transmitters B, C, and D appear as noise to receiver A, which is attempting to detect the  
30 direct signal from transmitter E. Each of the receivers in the system encounters the same effect  
and accordingly the signals passing through the receivers experience signal degradation due to  
NEXT impairment signals. For clarity of FIG. 3, only the NEXT impairment experienced by  
receiver A is illustrated.

35 Similarly, because of the bidirectional nature of the communications systems, an echo  
impairment signal is produced by each transmitter on the receiver contained within the same  
transceiver as the transmitter. The echo impairment signal encountered by the receiver in each  
transceiver is shown in FIG. 4. The crosstalk signals from transmitters appear as noise to the  
receivers, which are attempting to detect the signal from the transmitter at the opposite end of

the communications line. Each of the receivers in the system encounters the same effect and accordingly the signals passing through the receivers experience signal distortion due to the echo impairment signal.

5 Far-end crosstalk (FEXT) is an impairment that results from capacitive coupling of the signal from the far-end transmitters to the input of the receivers. The FEXT impairment signals encountered by the receiver in transceiver A are shown in FIG. 5. The crosstalk signals from transmitters F, G, and H appears as noise to receiver A, which is attempting to detect the direct signal from transmitter E. Each of the receivers in the system encounters the same effect and accordingly the signals passing through the receivers experience signal distortion due to the FEXT impairment signal. For clarity of FIG. 5 only the FEXT impairment experienced by receiver A is illustrated.

10 As a result of these noise impairment signals the performance of the communication system is degraded. The signals carried by the system are distorted and the system experiences a higher signal error rate. Thus there exists a need in the art to provide an apparatus for compensating for the degradation of communication system performance caused by noise impairment signals and to provide an apparatus for reducing such noise in a high throughput system such a Gigabit Ethernet. Aspects of the present invention fulfil these needs.

20 Four transceivers at one end of a communications line are illustrated in detail in FIG. 6. The components of the transceivers are shown as overlapping blocks, with each layer corresponding to one of the transceivers. The GMII, PCS, and hybrid of FIG. 6 correspond to the GMII, PCS, and hybrid of FIG. 2 and are considered to be separate from the transceiver. The combination of the transceiver and hybrid forms one "channel" of the communications system. Accordingly, FIG. 6 illustrates four channels, each of which operates in a similar manner. The transmitter portion of each transceiver includes a pulse-shaping filter and a digital-to-analog (D/A) converter. The receiver portion of each transceiver includes an analog-to-digital (A/D) converter, a first-in first-out (FIFO) buffer, a digital adaptive equalizer system including a feed-forward equalizer (FFE) and a detector. The receiver portion also includes a timing recovery system and a near-end noise reduction system including a NEXT cancellation system and an echo canceller. The NEXT cancellation system and the echo canceller typically include numerous adaptive filters.

35 Characteristics of the communication line, e.g., length, may impact the ability of the NEXT cancellation system and echo cancellers to effectively cancel NEXT and echo noise. Measurements of typical cable responses, as well as simulation, show that in order to provide an adequate level of cancellation of these sources of interference, "long" echo and NEXT cancellers are required. The term "long" is used to describe a canceller having a large number of taps as necessitated by the characteristics of the cable. For example, FIG. 7 shows the echo impulse response for a 100m cable with a characteristic impedance of 85 ohm and 100 ohm terminations.



1 Although the nominal characteristic impedance is 100 ohm, manufacturing standards allow for  
a 15% tolerance. The mismatch in impedance may result in a reflection at the far-end of the  
cable, which causes a secondary pulse with a delay of about one microsecond. Because of the  
long delay, cancelling this pulse requires an echo canceller with about 140 taps (125 taps to  
5 cover the one microsecond delay, plus approximately 15 additional taps to cancel the secondary  
pulse).

Often the echo impulse response has additional reflections at intermediate values of delay.  
In addition, structural return loss of the cable may cause continuous variations of the  
characteristic impedance along the cable, which results in a large number of smaller reflections  
10 at intermediate points. These intermediate reflections mean that the echo canceller should not  
be configured to cancel only the initial impulse and the end reflection but instead should be  
configured to cover the full span of the impulse response. Varying cable characteristics result  
in a wide variability of cable impulse responses. In addition, the response of a particular cable  
may change as a result of its operating environment. For example, a change in operating  
15 temperature may change the impulse response of the cable. Accordingly, it is difficult to  
precompute the locations at which taps are required and to build these locations into the design  
of the echo and NEXT cancellers. FIG. 8 shows the NEXT impulse response for a 100m cable.  
As indicated, the NEXT response can also be long, requiring a large number of taps in the NEXT  
cancellers which make up the NEXT cancellation system. The combination of the NEXT and  
20 echo cancellers consumes the majority of the DSP operations in a Gigabit Ethernet.

The large number of taps required to achieve a satisfactory performance in these systems  
results in high power dissipation. This high power dissipation is undesirable in that it may make  
high throughput communication systems, particularly Gigabit Ethernet, inoperable and  
unmarketable. Thus there exists a need in the art to provide a method of, and an apparatus for,  
25 reducing the power dissipation of communication systems employing a large number of taps and  
to provide a method of, and apparatus for, reducing such power dissipation in a high throughput  
system such a Gigabit Ethernet. Aspects of the present invention fulfil these needs.

One of the most critical phases of the operation of a Gigabit Ethernet transceiver is the  
startup. During this phase adaptive filters contained within the transceiver converge, the timing  
30 recovery subsystem acquires frequency and phase synchronization, the differences in delay  
among the four wire pairs are compensated, and pair identity and polarity is acquired. Successful  
completion of the startup allows normal operation of the transceiver to begin.

In one startup protocol, known as "blind start", the transceivers converge their adaptive  
filters and timing recovery systems simultaneously while also acquiring timing synchronization.  
35 A disadvantage of such a startup is that there is a high level of interaction among the various  
adaptation and acquisition algorithms within the transceiver. This high level of interaction  
reduces the reliability of the convergence and synchronization operations which occur during  
startup.

## SUMMARY OF THE INVENTION

Briefly, and in general terms, the invention relates to systems for, and methods of, reducing the noise and the power dissipation within communications systems.

5 In a first aspect, the invention relates to a communications system having a prespecified threshold error. The communications system includes a communication line having a plurality of twisted wire pairs, a plurality of transmitters, one transmitter at each end of each twisted wire pair and a plurality of receivers, one receiver at each end of each twisted wire pair, each  
 10 receiver receiving a combination signal including a direct signal from the transmitter at the opposite end of the twisted wire pair with which the receiver is associated and a plurality of noise signals. The system also includes a plurality of adaptive filters responsive to the combination signal, each adaptive filter having a plurality of taps each having a coefficient, each tap switchable  
 15 between an active and an inactive state. The system further includes a control device for periodically adjusting the transfer function of at least one of the adaptive filters by selectively deactivating the taps while ensuring that the error of the communications system does not exceed the threshold error.

By selectively deactivating the taps of at least one of the adaptive filters  
 20 the present invention reduces the power consumption of the filter and thus the overall power consumption of the communications system.

In a more detailed aspect the communications system further includes a plurality of noise reduction systems each comprising at least one of the adaptive filters. One noise reduction system is associated with each receiver  
 25 and provides at least one replica noise impairment signal. The system also includes a plurality of devices, one associated with each receiver. Each device is responsive to the combination signal received by such receiver and the replica noise impairment signal provided by the noise reduction system associated with such receiver for substantially removing at least one of the  
 30 noise signals from the combination signal. In another facet, the noise signals include a plurality of far-end crosstalk (FEXT) impairment signals, one from each of the transmitters at the opposite end of the communications line, except for the transmitter at the opposite end of the twisted wire pair with which the receiver is associated, and the noise reduction system includes a FEXT cancellation system for providing, as one of the replica noise impairment  
 35 signals, a replica FEXT impairment signal. In yet another aspect, the noise signals include a plurality of near-end crosstalk (NEXT) impairment signals, one from each of the transmitters at the same end of the communications line, except for the transmitter at the



1 same end of the twisted wire pair with which the receiver is associated, and the noise reduction  
system includes a NEXT cancellation system for providing, as one of the replica noise  
impairment signals, a replica NEXT impairment signal. In still another aspect, the noise signals  
include an echo impairment signal received from the transmitter at the same end of the twisted  
5 wire pair with which the receiver is associated, and the noise reduction system includes an echo  
canceller for providing, as one of the replica noise impairment signals, a replica echo impairment  
signal. In another detailed aspect, the control device includes means for setting the state of each  
tap, means for calculating a present error for the system and means for comparing the present  
error to the threshold error. In a further facet, the means for setting the state of each tap includes  
10 means for specifying a tap threshold for each tap, means for comparing for each tap the absolute  
value of the tap coefficient with the tap threshold, and means for deactivating those taps having  
a coefficient with an absolute value less than the tap threshold.

In a second aspect, the invention is a method of operating a communications system  
having a communication line having a plurality of twisted wire pairs and a plurality of  
15 transceivers, one at each end of each of the twisted wire pairs. Each transceiver has a receiver  
and a transmitter. Each receiver receives a combination signal that includes a direct signal from  
the transmitter at the opposite end of the twisted wire pair with which the receiver is associated  
and a plurality of noise signals. Each transceiver further includes a plurality of adaptive filters  
responsive to the combination signal. Each adaptive filter has a plurality of taps each having a  
20 coefficient. Each tap is switchable between an active and an inactive state. The method includes  
the steps of specifying a threshold error for the system and periodically adjusting the transfer  
function of at least one of the adaptive filters by selectively deactivating the taps while ensuring  
that the error of the system does not exceed the threshold error.

In a more detailed facet, the method further includes, for each receiver, the steps of  
25 generating at least one replica noise impairment signal and combining the at least one replica  
noise impairment signal with the combination signal to produce an output signal substantially  
devoid of at least one of the noise signals. In another facet, the step of adjusting the transfer  
function includes the steps of setting the state of each tap, calculating a present error for the  
system and comparing the present error to the threshold error. In another facet, one transceiver  
30 of the communications system acts as a master and another transceiver acts as slave. Each  
transceiver has a noise reduction system, a timing recovery system and at least one equalizer.  
The method further includes the steps of executing a first stage during which the timing recovery  
system and the equalizer of the slave are trained and the noise reduction system of the master is  
trained, executing a second stage during which the timing recovery system and the equalizer of  
35 the master are trained and the noise reduction system of the slave is trained and executing a third  
stage during which the noise reduction system of the master is retrained. In yet another facet,  
one transceiver of the communications system acts as a master and another transceiver acts as  
slave. Each transceiver having a noise reduction system, a timing recovery system and at least



one equalizer. The method further includes the steps of executing a first stage during which the timing recovery system and the equalizer of the slave are trained and the noise reduction system of the master is trained, executing a second stage during which the timing recovery system of the master is trained in both frequency and phase, the equalizer of the master is trained and the noise reduction system of the slave is trained and executing a third stage during which the noise reduction system of the master is retrained, the timing recovery system of the master is retrained in phase and the timing recovery system of the slave is retrained in both frequency and phase.

In a third aspect, the invention is a communications system including a communication line having a plurality of twisted wire pairs, a plurality of transmitters, one transmitter at each end of each twisted wire pair and a plurality of receivers. One receiver is at each end of each twisted wire pair. Each receiver receives a combination signal including a direct signal from the transmitter at the opposite end of the twisted wire pair with which the receiver is associated and a plurality of far-end crosstalk (FEXT) impairment signals, one from each of the remaining transmitters at the opposite end of the communications line. The system also includes a plurality of FEXT cancellation systems, one associated with each receiver. Each FEXT cancellation system provides a replica FEXT impairment signal. The system further includes a plurality of delay devices, one associated with each receiver. Each delay device is responsive to the combination signal received by such receiver for delaying the combination signal. Also included are a plurality of first devices, one associated with each receiver. Each first device is responsive to the output of the delay device associated with such receiver and the replica FEXT impairment signal provided by the FEXT cancellation system associated with such receiver for substantially removing the FEXT impairment signals from the combination signal.

By providing a plurality of FEXT cancellation systems which generate replica FEXT impairment signals and a plurality of device which combine the replica FEXT impairment signals with the combination signals, the invention substantially cancels the FEXT impairment signals from the combination signal. Thus signal degradation due to noise in the communications system is reduced and the transmitted information may be more reliably recovered.

In a more detailed facet, the FEXT cancellation system includes means for receiving a signal from each of the receivers at the same end of the communications line except for the receiver with which the FEXT canceller is associated. The FEXT cancellation system also includes means for generating an individual replica FEXT impairment signal for each received signal and means for combining the individual replica FEXT impairment signals to generate the replica FEXT impairment signal. In another aspect, when the direct signal arrives at the receiver after the FEXT impairment signals, the delay device delays the combination signal by an amount substantially equal to the time delay between the arrival, at the receiver, of the FEXT impairment signals and the direct signal. In yet another facet, when the direct signal arrives at the receiver after the FEXT impairment signals, the delay device delays the combination signal by the greater of the following: an amount substantially



equal to the time delay between the arrival at the receiver, of the FEXT impairment signals and the direct signal; and an amount so that such combination signal is in sync with the combination signals from other receivers.

5 These and other aspects and advantages of the present invention will become apparent from the following more detailed description, when taken in conjunction with the accompanying drawings which illustrate, by way of example, the preferred embodiments of the invention.

#### 10 BRIEF DESCRIPTION OF THE DRAWINGS

FIGURE 1 is a schematic block diagram of a communications system providing a plurality of computers connected to a hub by communications lines to form a local area network (LAN);

15 FIG. 2 is a schematic block diagram of a communications system providing a gigabit medium independent interface (GMII), a physical coding sublayer (PCS) and a plurality of unshielded twisted pairs of wires, each with a transceiver at each end;

FIG. 3 is a schematic block diagram of a portion of the communications system of FIG. 2 depicting the NEXT impairment signals received by receiver A from adjacent transmitters B, C, and D;

20 FIG. 4 is a schematic block diagram of a portion of the communications system of FIG. 2 depicting the echo impairment signal received by receiver A from transmitter A;

25 FIG. 5 is a schematic block diagram of a portion of the communications system of FIG. 2 depicting the FEXT impairment signals received by receiver A from opposite transmitters F, G, and H;

FIG. 6 is a schematic block diagram of a communications system including a plurality of transceivers, each having a NEXT cancellation system, an echo canceller, a feed forward equalizer, digital adaptive filter system including one detector, and a timing recovery circuit;

30 FIG. 7 depicts an impulse response for an echo signal passing through a 100m communications line;

FIG. 8 depicts an impulse response for an NEXT signal passing through a 100m communications line;

35 FIG. 9 is a schematic block diagram of a communications system including a plurality of transceivers each having a NEXT cancellation system, an echo canceller, and a FEXT cancellation system, a digital adaptive filter system including a plurality of detectors and a skew adjuster, and a timing recovery circuit;

40

NEXT PAGE: 11



1 FIG. 10 is a schematic block diagram of a symbol-by-symbol detector of FIG. 9, each including a plurality of slicers, feedback filters and adders and receiving as input a soft decision;

FIG. 11 is a schematic block diagram of the NEXT cancellation systems of FIG. 9, each including a plurality of adaptive transversal filters (ATF) and adders and receiving as input  
5 transmitted signals from adjacent transmitters;

FIG. 12 is a schematic block diagram of the echo cancellers of FIG. 9, each including an ATF and receiving as input transmitted signals from same transmitters;

FIG. 13 is a schematic block diagram of the FEXT cancellation systems of FIG. 9, each including a plurality of ATFs and an adder and receiving as input transmitted signals from  
10 opposite transmitters;

FIG. 14 depicts a direct impulse response arriving at the receiver after a FEXT impulse response;

FIG. 15 depicts a direct impulse response and FEXT impulse response arriving at the receiver at substantially the same time;

15 FIG. 16 depicts a direct impulse response arriving at the receiver before a FEXT impulse response;

FIG. 17 is a schematic block diagram of a communications system in including a plurality of transceivers, each having a NEXT cancellation system, an echo canceller, and a FEXT cancellation system, digital adaptive filter system including one detector, and a timing recovery  
20 circuit;

FIG. 18 is a schematic diagram of an ATF, including a cascade of taps, present in the NEXT cancellation system of FIG. 11, the echo cancellers of FIG. 12, and the FEXT cancellation system of FIG. 13;

FIG. 19 is a flow chart illustrating one embodiment of a power dissipation reduction  
25 method;

FIG. 20 depicts the mean squared error (MSE) to signal ratio as a function of time during the initial convergence of a communications system;

FIG. 21 depicts the taps of an echo canceller which remain active after convergence of a communications system having an error threshold of 24 dB;

30 FIG. 22 depicts the taps of an echo canceller which remain active after convergence of a communications system having an error threshold of 26 dB;

FIG. 23 is a flow chart illustrating another embodiment of a power dissipation reduction method;

FIG. 24 is a schematic block diagram depicting the master-slave relationship between the  
35 transceivers of each of the transceiver channels of FIG. 2; and

FIG. 25 is a timing diagram depicting the stages of one embodiment of a startup protocol;  
and

1           FIG. 26 is a timing diagram depicting the stages of another embodiment of a startup protocol.

#### DETAILED DESCRIPTION OF THE PREFERRED EMBODIMENTS

5           The discussion in this specification may be considered to relate specifically to a Gigabit Ethernet for the purposes of explanation and understanding of the invention. However, it will be understood that the concepts of this invention and the scope of the claims apply to other types of communications systems than a Gigabit Ethernet.

#### 10    Communications System Overview:

          A communications system incorporating the features of this invention is generally indicated at 10 in FIG. 1. The system 10 includes a hub 12 and a plurality of computers serviced by the hub in a local area network (LAN). Four computers 14 are shown by way of illustration but a different number of computers may be used without departing from the scope of the invention. Each of the computers 14 may be displaced from the hub 12 by a distance as great as approximately one hundred meters (100 m.). The computers 14 are also displaced from each other.

          The hub 12 is connected to each of the computers 14 by a communications line 16. The communication line 16 comprises a plurality of unshielded twisted pairs of wires or cables. Generally, the wires or cables are formed from copper. Four unshielded twisted pairs of wires are provided in the system 10 between each computer and the hub 12. The system shown in FIG. 1 is operative with several categories of twisted pairs of cables designated as categories 3, 4, 5, 6 and 7 in the telecommunications industry. Category 3 cables are the poorest quality (and lowest cost) and category 6 and 7 cables are the best quality (and highest cost). Gigabit Ethernet uses category 5 cables.

          FIG. 2 illustrates, in detail, a portion of the communications system of FIG. 1 including one communications line 16 and portions of one of the computers 14 and the hub 12. The communications line 16 includes four unshielded twisted pairs of wires 18 operating at 250 Mb/second per pair. A transceiver 20, including a transmitter (TX) 22 and receiver (RX) 24, is positioned at each unshielded end of each twisted pair 18. Between each transceiver 20 and its associated unshielded twisted pair 18 is a hybrid 26. The hybrid 26 is the interface to the communication line 16 which allows for full-duplex bidirectional operation between the transceivers 20 at each end of the communications line. The hybrid also functions to isolate the transmitter and receiver associated with the transceiver, from each other.

          The communications system includes a standard connector designated as a gigabit media independent interface (GMII) 28. The GMII 28 may be an eight bit wide data path in both the transmit and receive directions. Clocked at a suitable frequency, such as 125 MHz, the GMII results in a net throughput in both directions of data at a suitable rate such as 250 Mb/second per

1 pair. The GMII provides a symmetrical interface in both the transmit and receive directions. A  
physical coding sublayer (PCS) 30 receives and transmits data between the GMII 28 and the  
transceivers 20. The PCS 30 performs such functions as scrambling and encoding/decoding data  
before forwarding the data to either the transceiver or the GMII. The PCS encodes bits from the  
5 GMII into 5-level pulse amplitude modulation (PAM) signals. The five symbol levels are -2, -1,  
0, +1, and +2. The PCS also controls several functions of the transceivers, such as skew control  
as explained below.

Transceiver Circuitry:

10 Four of the transceivers 20 are illustrated in detail in FIG. 9. The components of the  
transceivers 20 are shown as overlapping blocks, with each layer corresponding to one of the  
transceivers. The GMII 28, PCS 30, and hybrid 26 of FIG. 9 correspond to the GMII, PCS, and  
hybrid of FIG. 2 and are considered to be separate from the transceiver. The combination of the  
transceiver 20 and hybrid 26 forms one "channel" of the communications system. Accordingly,  
15 FIG. 9 illustrates four channels, each of which operate in a similar manner.

The transmitter portion of each transceiver 20 includes a pulse shaping filter 32 and a  
digital to analog (D/A) converter 34. In a preferred embodiment of the invention the D/A  
converter 34 operates at 125 MHz. The pulse shaping filter 32 receives one one-dimensional (1-  
D) symbol from the PCS. This symbol is referred to as a TXData<sub>x</sub> symbol 36, where x is 1  
20 through 4 corresponding to each of the four channels. The TXData<sub>x</sub> symbol 36 represents 2 bits  
of data. The PCS generates one 1-D symbol for each of the channels. The symbol for each  
channel goes through a spectrum shaping filter of the form  $0.75 + 0.25z^{-1}$  at the pulse shaping  
filter 32 to limit emissions within FCC requirements. This simple filter shapes the spectrum at  
the output of the transmitter so that its power spectral density falls under that of communications  
25 systems operating at 100 Mb/second on two pairs of category -5 twisted pair wires. The symbol  
is then converted into an analog signal by the D/A converter 34 which also acts as a lowpass  
filter. The analog signal gains access to the unshielded twisted pair wire 18 through the hybrid  
circuitry 26.

The receiver portion of each transceiver includes a signal detector 41, an A/D converter  
30 42, a FIFO 44, a digital adaptive equalizer system, a timing recovery circuit and noise reduction  
circuitry. The digital adaptive equalizer system includes a feed-forward equalizer (FFE) 46, two  
devices 50, 56, a skew adjuster 54 and two detectors 58, 60. The functions of these components,  
as related to the present invention, are explained below. The noise reduction circuitry includes  
a NEXT cancellation system 38, an echo canceller 40, and a FEXT cancellation system 70.

35 The A/D converter 42 provides digital conversions of the signals received from the hybrid  
26 at a suitable frequency, such as 125 MHz, which is equal to the baud rate of the signals. The  
A/D converter 42 samples the analog signals in accordance with an analog sample clock signal  
78 provided by the decision-directed timing recovery circuit 64. The FIFO 44 receives the

1 digital conversion signals from the A/D converter 42 and stores them on a first-in-first-out basis.  
The FIFO 44 forwards individual signals to the FFE 46 in accordance with a digital sample clock  
signal 80 provided by the timing recovery circuit 64. The FFE 46 receives digital signals from  
the FIFO 44 and filters these signals. The FFE 46 is a least mean squares (LMS) type adaptive  
5 filter which performs channel equalization and precursor inter symbol interference (ISI)  
cancellation to correct for distortions in the signal.

It is noted that the signal introduced into the A/D converter 42 and subsequently into the  
FIFO 44 and FFE 46 has several components. These components include the direct signal  
received directly from the transmitter 22 at the opposite end of the unshielded twisted pair wire  
10 18 with which the receiver 24 is associated. Also included are one or more of the NEXT, echo,  
and FEXT impairment signals from other transmitters 22 as previously described. The signal  
including the direct signal and one or more of the impairment signals is referred to as a  
"combination signal."

The FFE 46 forwards the combination signal 48 to a second device 50, typically a  
15 summing device. At the second device 50 the combination signal 48 is combined with the  
outputs of the NEXT cancellation system 38 and echo canceller 40 to produce a signal which is  
substantially devoid of NEXT and echo impairment signals. This signal is referred to as a "first  
soft decision" 52. The signal detector 41 detects the signals from the second device 50 and  
forwards the signals to the skew adjuster 54. Upon signal detection, the signal detector 41  
20 initiates various system operations, one of which -- as described below -- includes transitioning  
between phases of a startup protocol. The skew adjuster 54 receives the first soft decision 52  
from the second device 50 and outputs a signal referred to as a "second soft decision" 66. The  
skew adjuster 54 performs two functions. First, it compensates for the difference in length of the  
unshielded twisted pairs 18 by delaying the first soft decision 52 so that the second soft decisions  
25 66 from all of the receivers in the system are in sync. Second, it adjusts the delay of the first soft  
decision 52 so that the second soft decision 66 arrives at the first device 56 at substantially the  
same time as the output of the FEXT cancellation system 70. The skew adjuster 54 receives  
skew control signals 82 from the PCS 30.

The skew adjuster 54 forwards the second soft decision 66 to a first device 56, typically  
30 a summing device. At the first device 56 the second soft decision 66 is combined with the output  
of the FEXT cancellation system 70 to produce a signal which is substantially devoid of FEXT  
impairment signals. This signal is referred to as a "third soft decision" 68. The first detector  
58 receives the third soft decision 68 from the first device 56. The first detector 58 provides an  
output signal, *i. e.*, a "final decision" 72. The first detector 58 may be a slicer which produces  
35 a final decision 72 corresponding to the analog signal level closest in magnitude to the level of  
the third soft decision 68. The first detector 58 may also be either a symbol-by-symbol detector  
or a sequential detector which operates on sequences of signals across all four channels  
simultaneously, such as a Viterbi decoder.

1           In one configuration of the transceiver the first detector 58 is a symbol-by-symbol  
detector. A group of symbol-by-symbol detectors 58, one for each channel, is shown in FIG. 10.  
Each first detector 58 includes a slicer 98, adaptive feedback filter 100 and an adder 102. The  
5           adder 102 combines the third soft decision 68 with the output of the adaptive feedback filter 100  
to provide an output which is introduced to the slicer 98. The output of the slicer 98 in  
introduced to the adaptive feedback filter 100. The first detector 58 provides an output signal  
72 which corresponds to the discrete level from the set [-2, -1, 0, 1, 2] which is closest to the  
difference between the third soft decision 68 and the output of the feedback filter 100. The  
adaptive feedback filter 100 corrects for distortion in the third soft decision 68. This filter 100  
10           uses past slicer 98 decisions to estimate postcursor ISI caused by the channel. This ISI  
is canceled from the third soft decision 68 to form the final decision signal 72.

          In another configuration of the transceiver the first detector 58 is a combination of a  
sequential decoder with a decision feedback equalizer (DFE) using the architecture usually  
known as multiple DFE architecture (MDFE) sequential detector. The sequential decoder 58  
15           looks at all signals from all four channels at the same time and at successive samples from each  
channel over several periods of unit time. A sequential decoder receives as input at least one  
signal from each of the first devices 56. The sequential decoder 58, in general, is responsive to  
the sequences of the output signals from the first devices 56 for (1) passing acceptable sequences  
of such signals and (2) discarding unacceptable sequences of such signals in accordance with the  
20           constraints established by the code standard associated with the system. Acceptable sequences  
are those which obey the code constraints and unacceptable sequences are those which violate  
the code constraints.

          The second detector 60 (FIG. 9) receives the first soft decision 52 from the second device  
50. The second detector 60 is a symbol-by-symbol detector similar to the first detector 58 (FIG.  
25           10). It provides an output signal 74 which corresponds to the discrete level from the set [-2, -1,  
0, 1, 2] which is closest to the difference between the first soft decision 52 and the output of the  
feedback filter 100. The second detector 60 produces output signals 74 without the benefit of  
FEXT cancellation, as a result, these decisions have a higher error rate than those made by the  
first detector 58, which enjoys the benefits of FEXT cancellation. Because of this fact, these  
30           decisions are called "tentative decisions". It is important to note that the postcursor ISI present  
in the input to the second detector 60 is canceled using the adaptive feedback filter 100, (FIG.  
10) contained within the second detector, whose inputs are the tentative decisions 74. The  
coefficients of this adaptive feedback filter 100 are the same as those of the adaptive feedback  
filter associated with the first detector 58 (FIG. 9).

35           A third device 62, typically a summing device, receives the first soft decision signal 52  
from the second device 50 and the tentative decision signals 74 from the second detector 60.  
At the third device 62 the first soft decision 52 is combined with the tentative decision signal 74  
to produce an error signal 76 which is introduced into the timing recovery circuit 64. The timing

1 recovery circuit 64 receives the tentative decision 74 from the second detector 60 and the error  
signals 76 from the third device 62. Using these signals as inputs the timing recovery circuit 64  
outputs an analog clock sync signal 78 which is introduced to the A/D converter 42 and a digital  
clock sync signal 80 which is introduced into the FIFO 44. As previously mentioned, these  
5 signals control the rate at which the A/D converter 42 samples the analog input it receives from  
the hybrid 26 and the rate at which the FIFO forwards digital signals to the FFE 46.

As mentioned before, the symbols sent by the transmitters 22 (FIG. 2) in the  
communications system cause NEXT, echo and FEXT impairments in the received signal for  
each channel. Since each receiver 24 has access to the data for the other three channels that  
10 cause this interference, it is possible to nearly cancel each of these effects. NEXT cancellation  
is accomplished using three adaptive NEXT cancelling filters 84 as shown in the block diagram  
of FIG. 11. Each NEXT cancellation system 38 receives three TXData symbols 36 from each  
of the transmitters at the same end of the communications line 18 as the receiver with which the  
NEXT cancellation system is associated. Each NEXT cancellation system 38 includes three  
15 filters 84, one for each of the TXData symbols 36. These filters 84 model the impulse  
responses of the NEXT noise from the transmitters and may be implemented as adaptive  
transversal filters (ATF) employing, for example, the LMS algorithm. The filters 84 produce a  
replica of the NEXT impairment signal for each TXData symbol 36. A summing device 86  
combines the three individual replica NEXT impairment signals 92 to produce a replica of the  
20 NEXT impairment signal contained within the combination signal received by the receiver with  
which the NEXT cancellation system 38 is associated. The replica NEXT impairment signal 88  
is introduced into the second device 50 (FIG. 9) where it is combined with the combination  
signal 48 to produce a first soft decision signal 52 which is substantially devoid of NEXT  
impairment signals.

25 Echo cancellation is accomplished with an adaptive echo cancelling filter 85 as shown in  
the block diagram of FIG. 12. Each echo canceller 40 receives the TXData symbols 36 from  
the transmitter at the same end of the twisted wire pair 18 as that of the receiver with which the  
echo canceller is associated. As shown in FIG. 12, each echo canceller 40 includes one filter  
85. These filters 85 model the impulse responses of the echo noise from the transmitter and may  
30 be implemented as ATFs employing, for example, the LMS algorithm. The filter produces a  
replica of the echo impairment signal contained within the combination signal received by the  
receiver with which the echo canceller 40 is associated. The replica echo impairment signal 90  
is introduced into the second device 50 (FIG. 9) where it is combined with the combination  
signal 48 to produce a first soft decision signal 52 which is substantially devoid of echo  
35 impairment signals.

FEXT cancellation is accomplished with three adaptive FEXT cancelling filters 87 as  
shown in the block diagram of FIG. 13. Each FEXT cancellation system 70 receives three  
tentative decision symbols 74, one from each of the receivers at the same end of the



1 communications line as the receiver with which the FEXT cancellation system is associated.  
Each FEXT cancellation system 70 includes three filters 87, one for each of the tentative decision  
symbols 74. These filters 87 model the impulse responses of the FEXT noise from transmitters  
and may be implemented as ATFs employing, for example, the LMS algorithm. The filters 87  
5 produce a replica of the FEXT impairment signal 96 for each individual tentative decision  
symbol 74. A summing device 108 combines the three individual replica FEXT impairment  
signals 96 to produce a replica of the FEXT impairment signal contained within the combination  
signal 48 received by the receiver with which the FEXT cancellation system is associated. The  
replica FEXT impairment signal 94 is introduced into the first device 56 (FIG. 9) where it is  
10 combined with the second combination signal 66 to produce the third soft decision signal 68  
which is substantially devoid of FEXT impairment signals. It is important to note that the higher  
error rate of the tentative decisions 74 does not degrade the performance of the FEXT  
cancellation system 70, because the decisions used to cancel FEXT are statistically independent  
from the final decisions 72 made by the receiver whose FEXT is being canceled.

15 The symbols provided by the first detector 58 are decoded and descrambled by the receive  
section of the PCS 30 before being introduced to the GMII. Variations in the way the wire pairs  
are twisted may cause delays through the four channels by up to 50 nanoseconds. As a result,  
the symbols across the four channels may be out of sync. As previously mentioned, in the case  
where the first detector is a sequential detector, the PCS also determines the relative skew of the  
20 four streams of 1-D symbols and adjusts the symbol delay, through the skew adjuster 54, prior  
to their arrival at the first detector 58 so that sequential decoder can operate on properly  
composed four-dimensional (4-D) symbols. Additionally, since the cabling plant may introduce  
wire swaps within a pair and pair swaps among the four unshielded twisted pairs, the PCS 30  
also determines and corrects for these conditions.

25

#### Noise Reduction:

As previously mentioned, FEXT is an impairment that results from capacitive coupling  
of the signal from the far-end transmitters to the input of the receivers, as shown in FIG 5. The  
crosstalk signals from transmitters F, G, and H appear as noise to receiver A, which is attempting  
30 to detect the signal from transmitter E. A similar situation applies to all other receivers regarding  
the signals from the appropriate transmitters located at the opposite end of the line.

The FEXT noise experienced by receiver A and originating from transmitter F can be  
modeled as the convolution of the data symbols transmitted by F with a certain impulse response  
that depends on the properties of the cable and models the coupling characteristics of the  
35 unshielded twisted pairs used by transmitter F and receiver A. A typical measured FEXT  
impulse response 104 is show in FIGS 14-16. A similar description can be given for all the other  
possible receiver-transmitter combinations. Therefore, there are a total of twelve FEXT impulse

1 responses 104 describing the FEXT noise signals from transmitters E, F, G, and H to receivers  
A, B, C, and D. These twelve impulse responses are not identical, although each has a general  
shape similar to that shown in FIGS 14-16.

5 Although FEXT is an impairment for many communications systems other than Gigabit  
Ethernet, in these systems a given receiver usually does not have access to the symbols detected  
by the other receivers, because these receivers may not be physically located in the same place,  
and/or because they operate at rates that are not synchronized to the data rate of the receiver  
suffering from FEXT. Aspects of the present invention takes advantage of the fact that in  
10 Gigabit Ethernet transceivers the decisions that correspond to all four channels are available to  
the four receivers and the decisions may be made synchronous.

In operation there may be delays associated with the transmission of signals across the  
communications line. The synchronization of the signals within the system is crucial to effective  
cancellation of the noise. It is important that the replica noise impairment signals arrive at the  
summing devices at substantially the same time as the combination signal and/or soft decision  
15 signals. With regard to the FEXT impairment signal, because the impairment is caused by the  
transmitters at the opposite end of the receiver there is likely to be a delay between the time that  
the second soft decision signal 66 arrives at the first device 56 and the time at which the replica  
FEXT impairment signal 94 arrives. In some channels, as illustrated in FIG. 14, the group delay  
of the FEXT signal 104 could be smaller than the group delay of the desired signal 106. In this  
20 case the tentative decisions 74 provided by receivers B, C, and D of FIG. 5 arrive at the FEXT  
cancellation system 70 of receiver A too late to be effective in canceling the FEXT impairment.

To compensate for this delay, the invention employs a skew adjuster 54 which, as  
previously stated, delays the first soft decision signal 52 by a time substantially equal to or  
greater than the time delay between the arrival at the receiver of the direct signal and the FEXT  
25 impairment signals associated with such receiver. If the output is delayed by an amount greater  
than the time delay, which would result in the situation illustrated in FIG. 16, the adaptive  
feedback filter 87 (FIG. 13) within the FEXT cancellation system 70 compensates for the over  
delay by delaying the replica FEXT impairment signal 94 so that it arrives at the first device 56  
(FIG. 9) at substantially the same time as the second soft decision signal 66.

30 The third soft decision 68 resulting from FEXT cancellation allows the first detector 58  
to make more reliable final decisions 72, with a greatly reduced error rate. Computer simulations  
show that a typical improvement achievable with the invention described herein is approximately  
2 to 3dB when the signal to noise ratio at the input of the first detector 58 before FEXT  
cancellation is approximately 25dB. This corresponds to a reduction of the symbol error rate of  
35 a factor 1000 or larger.

If there is no delay associated with the transmission of signals across the communications  
line both the FEXT impairment signal 104 and the direct signal 106 arrive at the receiver at the

1 substantially the same time, as shown in FIG. 15. In this situation, the delay of the skew adjuster  
54 is set to zero. In the alternative, an embodiment of the invention, as shown in FIG. 17, with  
only one detector 110 and one summing device 112 may be used. In this configuration, the  
summing device 112 receives the replica NEXT, echo, and FEXT impairment signals 88, 90, 94  
5 and the combination signal 48 and produces a first soft decision 52 substantially devoid of  
impairment signals. This first soft decision 52 is introduced into the detector 110 and the third  
device 62. The detector 110 may include either a single symbol-by-symbol detector or both a  
symbol-by-symbol detector and a sequential detector. In the case of a symbol-by-symbol  
detector the final decision 72 and second output 114 of the detector 110 are identical. In the  
10 case of both a symbol-by-symbol detector and a sequential detector, the final output is provided  
by the sequential detector and is introduced to the PCS 30. The second output 114 is provided  
by the symbol-by-symbol detector and is introduced to the timing recovery circuitry 64 and the  
third device 62 for use in determining the error signal 76.

15 Power Dissipation Reduction:

As previously mentioned, the NEXT cancellation system, echo canceller and FEXT  
cancellation system use ATFs to effectively cancel the noise from the combination signal. An  
example of an ATF which may be employed is shown in FIG. 18. The ATF 120 includes a  
plurality of taps 122 each including a multiplier 124 and an adder 126. Associated with each tap  
20 122 is a coefficient  $C_n$ , where  $n$  is 0 through  $x-1$  where  $x$  is the number of taps in the ATF. The  
circuitry associated with each tap 122 includes a 1-bit storage (not shown) that allows for  
activation and deactivation of the tap. The values of the coefficients  $C_n$  are adjusted in  
accordance with an LMS algorithm as mentioned before. Interposed between the taps 122 are  
registers 128. These registers 128 provide data to the taps 122 at timed intervals in accordance  
25 with a clock signal.

The impulse responses of an echo and NEXT, as shown in FIGS. 7 and 8, indicates that  
not all taps 122 in the NEXT and echo cancellers 38, 40 are contributing significantly to the  
performance of the communications system. Aspects of the present invention determines what  
taps 122 are not contributing significantly to the reduction of the mean squared error (MSE) of  
30 the system and deactivates these taps, thereby eliminating them from the filtering computation  
and thus reducing considerably the power dissipation of the system. Furthermore, as shown by  
the impulse response of FIGS. 7 and 8, the need to build NEXT and echo cancellers 38, 40 with  
a long span is difficult to avoid. Specific cable responses may differ from the one depicted in  
FIGS. 7 and 8, and accordingly require more or fewer taps 122 than that required for the cable  
35 of FIGS. 7 and 8. As mentioned before it is difficult to determine a priori what taps 122 are  
needed with a particular cable.

1           In accordance with aspects of the present invention, the NEXT, echo, and FEXT  
cancellers 38, 40, 70 are configured with ATFs 120 which employ a sufficient number of taps  
122 to provide adequate cancellation with the worst-case expected impulse responses. This may  
require 140 taps 122 as in the example of FIG. 7, or even more for longer cables. To reduce the  
5           power dissipation, the taps 122 are examined after convergence, and those taps that are found  
not to contribute significantly to the performance of the system are deactivated. When the tap  
122 is deactivated, it is removed from the NEXT, echo and FEXT replica computation and from  
the adaptation and its contribution to the overall power dissipation of the system is substantially  
eliminated.

10           When the system is initially converged, all taps 122 are active, so the NEXT, echo and  
FEXT cancellers 38, 40, 70 are converged along their entire length. After convergence, the taps  
122 are examined to determine which ones can be deactivated using the tap scanning algorithm  
depicted in FIG. 19. At step S1, an acceptable level of error for the system  $S_{ea}$  is specified. At  
step S2, a tap coefficient threshold  $T_{th}$  is set for each active tap. While each individual tap may  
15           have a unique tap threshold  $T_{th}$ , in a preferred embodiment of the invention the tap thresholds  
for all taps are substantially the same. The initial value of the tap coefficient threshold  $T_{th}$  is  
sufficiently low such that only a few taps 122 are deactivated and the performance of the system  
is not significantly affected. In a preferred embodiment of the invention, the tap coefficient  
threshold  $T_{th}$  is initially set equal to the tap coefficient  $C_n$  having the minimum absolute value.  
20           Alternatively, a reasonable value can be determined by simulation. This initial value is not  
critical, as long as it is sufficiently low to avoid a large degradation of the performance of the  
system the first time the tap scanning procedure is applied.

          At step S3, the absolute value of the tap coefficient  $C_n$  for each active tap is compared  
to the tap coefficient threshold  $T_{th}$ . If the tap coefficient  $C_n$  is less than the tap coefficient  
25           threshold  $T_{th}$  the tap 122 is deactivated at step S4. This process is repeated for each tap 122  
in the filter 120. Preferably, the determination of whether to deactivate a tap 122 is done in a  
sequential manner starting at the input end of the filter 120. At step S5, the error for the system  
 $S_{ec}$  is computed. This error is computed by first computing the MSE for each active tap 122  
by multiplying the absolute value of the tap coefficient  $C_n$  by the average energy signal. The  
30           error of the filter 120 associated with the tap 122 is determined by summing the individual tap  
errors. The error of the system is then determined by summing the individual filter errors.

          In step S6, the computed system error  $S_{ec}$  is compared to the specified acceptable system  
error  $S_{ea}$ . If the computed system error  $S_{ec}$  is less than the acceptable system error  $S_{ea}$ , the tap  
threshold  $T_{th}$  for each active tap is increased by a small amount at step S7 and steps S3 through  
35           S6 are repeated. As a result, some additional taps 122 are deactivated, but the number of taps  
deactivated is usually not very large because of the small increase in the tap threshold  $T_{th}$ .  
Steps S3 through S6 are repeated until the computed system error  $S_{ec}$  approaches the

1 acceptable system error  $S_{ea}$  without exceeding the acceptable system error. If the computed system error  $S_{ec}$  is greater than the acceptable system error  $S_{ea}$ , the tap scanning algorithm stops.

5 As an alternative to determining whether to deactivate a tap based on the MSE of the communications system, a determination may be made based on the MSE of an individual filter. In this embodiment of the invention an acceptable level of error for a filter  $F_{ea}$  is specified. Individual taps are deactivated, as previously described, and a computed filter error  $F_{ec}$  is calculated. If the deactivation of a tap does not cause the computed filter error  $F_{ec}$  to exceed the acceptable filter error  $F_{ea}$  the tap remains inactive.

10 In yet another embodiment of the invention, the contribution of each deactivated tap to the MSE of the filter and, in turn, the system is calculated. If the MSE contribution of the tap is determined to be an acceptable amount the tap remains deactivated. This method is generally preferred during the initial startup of the system when the overall MSE of the system is large due to the nonconverged state of the filter coefficients within the system. Once the filter coefficients of the system have initially converged, the determination of whether to deactivate a tap is generally made based on the taps contribution to the MSE of the system as previously described with reference to FIG. 19.

15 The final result of the tap scanning algorithm is that, in typical channels of the communication system, a large number of taps 122 is deactivated, and power dissipation is reduced by a large factor. As an example, computer simulations of the tap scanning algorithm when operating on the channel whose echo response is shown in FIG. 7 are presented in FIG. 20. This figure shows both the master and slave MSE to signal ratios as a function of time during the initial convergence of the system. At time  $t=360,000$  bauds, the tap scanning algorithm begins, and as a result the MSE to signal ratio increases to the prespecified target of 24dB. FIG. 21 shows the taps of the echo canceller after convergence with a threshold of 24 dB and FIG. 22 shows the taps with a threshold of 26 dB. The deactivated taps are shown as zeros. In FIG. 21, the total number of active taps for the echo canceller is twenty-two. Similarly, the number of active taps 122 for the three NEXT cancellers (not shown) forming the NEXT cancellation system is six, two, and zero, respectively. In FIG. 22, the total number of active taps for the echo canceller is forty-seven. Similarly, the number of active taps 122 for the three NEXT cancellers (not shown) is six, two, and zero, respectively.

20 For the case of the 24 dB threshold, out of 440 initially active taps, only 30 remain active after the application of the tap scanning algorithm, while maintaining a 5dB margin for required bit error rate. Notice from FIGS. 21 and 22 that those taps 122 which remain active occur at sparse locations, and it would have been difficult to statically allocate these taps during the design of the NEXT and echo cancellers, because the location of taps is highly dependent on the specific cable response.

1            In another embodiment of the invention, the tap scanning algorithm monitors the change  
in MSE as the tap scanning algorithm progresses. The algorithm is applied until the change in  
MSE -- rather than the MSE itself -- exceeds a prespecified value, for example 1dB. If the  
MSE to signal ratio before the scanning is applied is 25dB, the final MSE to signal ratio is  
5            24dB, and a large number of taps is deactivated. This embodiment of the tap scanning  
algorithm is depicted in FIG. 23. In step S10, the initial system error is  $S_{ei}$  computed. In step  
S11, an acceptable system error differential  $D_e$  is specified. In step S12, a tap coefficient  
threshold  $T_{th}$  is set for each active tap. As with the other tap scanning algorithm, the initial  
value of the tap threshold  $T_{th}$  is sufficiently low such that only a few taps 122 are deactivated  
10           and the performance of the system is not significantly affected.

          At step S13, the absolute value of the tap coefficient  $C_n$ , for each active tap is  
compared to the tap coefficient threshold  $T_{th}$ . If the tap coefficient  $C_n$  is less than the tap  
coefficient threshold  $T_{th}$  the tap 122 is deactivated at step S14. This process is repeated for  
each tap 122 in the filter 120. Preferably, the determination of whether to deactivate a tap 122  
15           is done in a sequential manner starting at the input end of the filter 120. At step S15, the  
subsequent error for the system  $S_{es}$  is computed.

          In step S16, the subsequent error for the system  $S_{es}$  is compared to the to the initial  
system error is  $S_{ei}$ . If the difference between the subsequent system error  $S_{es}$  and the initial  
system error  $S_{ei}$  is less than a prespecified value, the tap threshold  $T_{th}$  is increased by a small  
20           amount at step S17 and steps S13 through S16 are repeated. As a result, some additional taps  
122 are deactivated. Steps S13 through S16 are repeated until the difference between the  
subsequent system error  $S_{es}$  and the initial system error  $S_{ei}$  exceeds the prespecified value.

          In some cases the impulse responses of NEXT, echo and FEXT may change during  
normal operation, for example as a result of temperature changes. It is therefore desirable to  
25           periodically activate previously deactivated taps 122, preferably in a sequential manner, and  
recheck if the absolute value of the tap coefficient  $C_n$  is below the tap threshold  $T_{th}$ . If a tap  
coefficient  $C_n$  has grown to a value above the tap threshold  $T_{th}$ , the tap 122 remains active,  
otherwise it is deactivated. Similarly, those taps 122 that were active may fall below the tap  
threshold  $T_{th}$ , in which case they are deactivated. All this can be accomplished with a periodic  
30           reapplication of the sequential tap scanning algorithm during normal operation.

          In an alternate embodiment of the invention a select number of taps 122, for example  
ten, positioned at the input end of the filter 120 are not subject to deactivation. Usually there  
is a large slew rate in these first few taps 122, which means that their numerical value could  
change significantly if the sampling phase changes. This sampling phase could change  
35           dynamically as a result of jitter, causing some previously deactivated taps 122 to become  
significant. By maintaining a number of taps 122 at the input end of the filter in an active state,  
potential degradations in the presence of jitter are avoided.

1           When the total number of taps is very large, for example 440, the power  
dissipation could be large during the initial convergence transient before the tap  
scanning algorithm has had a chance to deactivate the taps. Although the average  
power dissipation of the system is still greatly reduced, the peak power is not. A  
5 preferred embodiment of the invention compensates for this by converging the NEXT,  
echo and FEXT cancellers in stages. For example, a block of 20 taps is converged at  
a time, and the tap scanning algorithm is then applied to these taps on a per-block  
basis. In cases where the MSE during the initial convergence is large, for example as  
a result of the fact that the initial block of 20 taps may not be large enough to provide  
10 a lower MSE, it may be better to monitor the sum of the squared values of the  
coefficients of deactivated taps 122 as a measure of whether the algorithm can be  
terminated.

#### Start-Up Protocols:

15           One of the most critical phases of the operation of the communications system  
is the transceiver startup. During this phase the adaptive filters contained within the  
FFE 46 (FIG. 9), echo canceller 40, NEXT cancellation system 38, FEXT cancellation  
system 70, timing recovery system 64 and detector 58 of the receiver portion of each  
transceiver converge. During convergence the actual output of the adaptive filters are  
20 compared to expected output of the filters to determine the error. The error is  
reduced to substantially zero by adjusting the coefficients of the algorithm which  
defines the transfer function of the filter. Similarly, the timing recovery system is  
converged by adjusting the frequency and phase of the phase lock loop and the local  
oscillator contained within the timing recovery system so that the signal-to-noise ratio  
25 of the channel is optimized. In addition, the differences in delay among the four wire  
pairs are compensated, and pair identity and polarity, are acquired. Successful  
completion of the startup ensures that the transceiver can begin normal operation.

In accordance with aspects of the present invention each of the transceiver  
channels operate in a loop-timed fashion, as shown in FIG. 24. The transceivers 20  
30 at the two ends of the each twisted wire pair 18 assume two different roles as far as  
synchronization is concerned. One of the transceivers, called the master 130, transmits  
data using an independent clock GTX\_CLK provided through the GMII interface 28  
(FIG. 9). This clock signal is fixed in both frequency and phase and is provided to  
the master transceiver 130 of each the four transceiver channels in the communications  
35 system. In actuality the transmit clock used by the master 130 may be a filtered  
version of GTX\_CLK, obtained using a phase locked loop with a very narrow  
bandwidth, to reduce jitter. The transceiver 20 at the other end of the twisted wire

1 pair 18, called the slave 132, synchronizes both the frequency and phase of its receive  
and transmit clocks to the signal received from the master 130, using the timing  
recovery system 64 (FIG. 9) located in the receiver 24. The slave 132 transmit clock  
maintains a fixed phase relationship with the slave receive clock at all times. The  
5 receive clock at the master 130 synchronizes, in phase but not in frequency, with the  
signal received from the slave transmitter 22. Thus, after an initial acquisition period,  
the master 130 receive clock follows the master transmit clock with a phase difference  
determined by the round trip delay of the loop. This phase relationship may vary  
dynamically as a result of the need of the master 130 receive clock to track jitter  
10 present in the signal received from the slave 132.

#### Slave Transmit Clock Fixed:

The sequence of events during the startup protocol of the present invention is  
shown in FIG. 25. The protocol consists of three phases 134, 136, 138 during which  
15 the receivers are trained, e. g., adaptive filters are converged, timing synchronization  
is acquired, etc., followed by normal operation which begins during phase four 140.  
During the first phase 134, the master begins transmitting to the slave using a transmit  
clock signal that is fixed in both frequency and phase. The master trains its near-end  
noise reduction system by converging the adaptive filters contained within its echo  
20 canceller and NEXT cancellation system (E). At the same time, the slave trains its  
equalizers and far-end noise reduction system by converging the adaptive filters  
contained within its DFE, FFE and FEXT cancellation system (D). While training its  
equalizer and far-end noise reduction system the slave simultaneously acquires timing  
synchronization in both frequency and phase (T). It may also at this time compensate  
25 for the differential delay among the four twisted wire pairs, identify the four pairs, and  
correct the polarity of the pairs.

In one embodiment of the protocol, the transition from the first phase 134 to  
the second phase 136, at both master and slave, occurs after a fixed and prespecified  
period of time. In a preferred embodiment, however, the slave transitions from the  
30 first phase 134 to second phase 136 when it detects that its receiver has converged the  
adaptive filters contained within its DFE, FFE and FEXT cancellation system (D) and  
has acquired timing synchronization (T). As previously mentioned, the master  
receiver includes a signal detector 41 (FIG. 9) which detects energy in the line coming  
from the slave. The master transitions from the first phase 134 to the second phase  
35 136 when it detects this energy from the slave. Therefore, the slave takes the initiative  
in transitioning from the first phase 134 to the second phase 136, and the master  
follows when it detects the signal from the slave.



1           The convergence of the echo canceller and NEXT cancellation system during  
the first phase 134 at the master is done with the objective of allowing the signal  
detector at the master to detect the signal from the slave. Without proper echo and  
NEXT cancellation, the signal detector would be triggered by the echo and NEXT  
5           noise present in the receiver. After the transition has occurred, the master discards the  
echo canceller and NEXT cancellation system coefficients which result from the  
converging in the first phase 134. This may be done by resetting the adaptive filters  
in the echo canceller and NEXT cancellation system. It is important to note that the  
correct sampling phases for the four receivers at the master is obtained during the third  
10          phase 138, therefore the echo canceller and NEXT cancellation system coefficients  
obtained during the first phase 134 may differ from the final values to be reacquired  
in the third phase 138.

          During the second phase 136, the slave trains its near-end noise reduction system  
by converging the adaptive filters contained within its echo canceller and NEXT  
15          cancellation system (E). At the same time, the master trains its equalizers and far-end  
noise reduction system by converging the adaptive filters contained within its DFE,  
FFE and FEXT cancellation system (D). While training its equalizers and far-end  
noise reduction system, the master simultaneously acquires timing synchronization in  
phase only (P). The master may also at this time compensate for the differential delay  
20          among the four twisted wire pairs, identify the four pairs, and correct the polarity of  
the pairs. During the second phase, the slave saves the timing recovery state variables  
that had been acquired during the first phase 134, and freezes its frequency and phase.  
By doing this, the slave is guaranteed to sample with the correct phase, the signal  
coming to it from the master when the master resumes transmission at the beginning  
25          of the third phase 138. The slave also freezes the coefficients of the DFE, FFE and  
FEXT cancellation system acquired during the first phase 134.

          Similar to the transition from the first phase 134 to the second phase 136, the  
transition from the second phase 136 to the third phase 138 may occur after a fixed  
and prespecified period of time. While the duration of the first, second, and third  
30          phases 134, 136, 138 is fixed, the duration is not necessarily equal for all phases. In  
a preferred embodiment, however, the master transitions from the second phase 136  
to third phase 138 when it detects that its receiver has converged the adaptive filters  
contained within its DFE, FFE and FEXT cancellation system (D) and has acquired  
timing synchronization (P). Like the master, the slave receiver includes a signal  
35          detector 41 (FIG. 9) which detects energy in the line coming from the master. The  
slave transitions from the second phase 136 to the third phase 138 when it detects this  
energy from the master. Therefore the master takes the initiative in transitioning from

1 the second phase 136 to the third phase 138, and the slave follows when it detects the  
signal from the master.

5 During the third phase 138 the slave freezes the coefficients of the echo  
cancellers and NEXT cancellation system and maintains a steady state condition during  
which the operating characteristics of the slave are not adjusted. Similarly, the master  
freezes the coefficients of the DFE, FFE and FEXT cancellation system and the phase  
of its clock signal. The master also retrains its near-end noise reduction system by  
reconverging its echo canceller and NEXT cancellation system (E) during the third  
10 phase 138. It is important to note that in the third phase 138 the slave resumes  
transmission using the clock recovered from the signal transmitted by the master, and  
therefore the master already knows the correct frequency with which to operate its  
receiver. The "relative sampling phases" of the four receivers, *i. e.*, the differences in  
sampling phases of three of the receivers versus one of them arbitrarily used as  
15 reference, are also known, because they were acquired during the second phase 136.  
However, the "overall sampling phase" of the receivers, *i. e.*, the sampling phase of the  
receiver arbitrarily chosen as reference, is not yet known and has to be acquired  
during the third phase 138. When both master and slave have completed their training  
operations, they exchange messages indicating that they are ready to transmit valid  
20 data. During phase four 140, all coefficients of the adaptive filters previously frozen  
are unfrozen and the transmission of data is ready to take place.

#### Slave Transmit Clock Free-Running:

25 The sequence of events during the startup protocol of the present invention is  
shown in FIG. 26. The protocol consists of three phases 144, 146, 148 during which  
the receivers are trained, *e. g.*, adaptive filters are converged, timing synchronization  
is acquired, etc., followed by normal operation which begins during phase four 150.  
The startup protocol is initiated by the master when it starts transmitting a signal to  
the slave using a transmit clock signal which is fixed in both frequency and phase.  
30 During the first phase 144, the master trains its near-end noise reduction system by  
converging the adaptive filters contained within its echo canceller and NEXT  
cancellation system (E). As previously mentioned, the slave receiver includes a signal  
detector 41 (FIG. 9) which detects energy in the line coming from the master. Upon  
detection of the signal from the master, the slave trains its equalizers and far-end noise  
35 reduction system by converging the adaptive filters contained within its DFE, FFE and  
FEXT cancellation system (D). While training its equalizers and far-end noise  
reduction system the slave simultaneously acquires timing synchronization in both  
frequency and phase (T). It may also at this time compensate for the differential

1 delay among the four twisted wire pairs, identify the four pairs, and correct the polarity of the pairs.

In one embodiment of the protocol, the transition from the first phase 144 to the second phase 146, at both master and slave, occurs after a fixed and prespecified period of time. In a preferred embodiment, however, the slave transitions from the first phase 144 to second phase 146 when it detects that its receiver has converged the adaptive filters contained within its DFE, FFE and FEXT cancellation system (D) and has acquired timing synchronization (T). The master receiver also includes a signal detector 41 (FIG. 9) which detects energy in the line coming from the slave. The master transitions from the first phase 144 to the second phase 146 when it detects this energy from the slave. Therefore, the slave takes the initiative in transitioning from the first phase 144 to the second phase 146, and the master follows when it detects the signal from the slave.

The convergence of the echo canceller and NEXT cancellation system during the first phase 144 at the master is done with the objective of allowing the signal detector at the master to detect the signal from the slave. Without proper echo and NEXT cancellation, the signal detector would be triggered by the echo and NEXT noise present in the receiver. After the transition has occurred, the master discards the echo canceller and NEXT cancellation system coefficients which result from the converging in the first phase 144. This may be done by resetting the adaptive filters in the echo canceller and NEXT cancellation system. It is important to note that the correct sampling phases for the four receivers at the master is obtained again in the third phase 148, therefore the echo canceller and NEXT cancellation system coefficients obtained during the first phase 144 may differ from the final values to be reacquired in the third phase 148.

During the second phase 146, the slave trains its near-end noise reduction system by converging the adaptive filters contained within its echo canceller and NEXT cancellation system (E). The slave also freezes the coefficients of the DFE, FFE and FEXT cancellation system acquired during the first phase 144. At the same time, the master trains its equalizers and far-end noise reduction system by converging the adaptive filters contained within its DFE, FFE and FEXT cancellation system (D). While training its equalizers and far-end noise reduction system, the master simultaneously acquires timing synchronization in both frequency and phase (T). The master may also, at this time, compensate for the differential delay among the four twisted wire pairs, identify the four pairs, and correct the polarity of the pairs. The slave may run off of any stable clock that has a frequency offset of less than a prespecified limit, e. g., for example 200ppm, when compared to the master transmit

1 clock. During the second phase 146, the slave transceivers transmit using a free-  
running clock. As a result, the master acquires both frequency and phase  
synchronization during the second phase 146. Phase synchronization is a normal  
5 function that the master performs in any form of startup protocol, however, frequency  
synchronization is not a usual master function, and it is only performed during the  
second phase 146 of the startup with the objective of interoperating properly with  
slave transceivers that do not save the timing recovery state variables at the transition  
from the first phase 144 to the second phase 146.

10 Similar to the transition from the first phase 144 to the second phase 146, the  
transition from the second phase 146 to the third phase 148 may occur after a fixed  
and prespecified period of time. While the duration of the first, second, and third  
phases 144, 146, 148 is fixed, the duration is not necessarily equal for all phases. In  
a preferred embodiment, however, the master transitions from the second phase 146  
15 to third phase 148 when it detects that its receiver has converged the adaptive filters  
contained within its DFE, FFE and FEXT cancellation system (D) and has acquired  
timing synchronization (T). The master begins transmitting a signal to the slave. The  
slave transitions from the second phase 146 to the third phase 148 when it detects this  
signal from the master. Therefore the master takes the initiative in transitioning from  
the second phase 144 to the third phase 148, and the slave follows when it detects the  
20 signal from the master.

During the third phase 148, the slave freezes the coefficients of the echo  
canceller and the NEXT cancellation system and maintains its near-end noise reduction  
system in a steady state condition. Because the timing recovery state variables had  
not been saved at the transition to the second phase 146, the slave also reacquires  
25 timing synchronization in both frequency and phase (T) during the third phase 148.  
The master, during the third phase 148, freezes the coefficients of its DFE and FEXT  
cancellation system and the frequency of its clock signal. The master also retrains its  
near-end noise reduction system by reconverging its echo canceller and NEXT  
cancellation system (E). The master also reacquires timing synchronization in phase  
30 only (P). It is important to note that in the third phase 148 the slave resumes  
transmission using the clock recovered from the signal transmitted by the master, and  
therefore the master already knows the correct frequency with which to operate its  
receiver. The "relative sampling phases" of the four receivers, *i. e.*, the differences in  
sampling phases of three of the receivers versus one of them arbitrarily used as  
35 reference, are also known, because they were acquired during the second phase 146.  
However, the "overall sampling phase" of the receivers, *i. e.*, the sampling phase of the  
receiver arbitrarily chosen as reference, is not yet known and has to be acquired

1 during the third phase 148. When both master and slave have completed their training  
operations, they exchange messages indicating that they are ready to transmit valid  
data. During phase four 150, all coefficients of the adaptive filters previously frozen  
are unfrozen and the transmission of data is ready to take place.

5 Although this invention has been disclosed and illustrated with reference to  
particular embodiments, the principles involved are susceptible for use in numerous  
other embodiments which will be apparent to persons of ordinary skill in the art.  
The invention is, therefore, to be limited only as indicated by the scope of the  
appended claims.

10

15

20

25

30

35

## 1 IN THE CLAIMS:

1. A communications system having a prespecified threshold error, said communications system comprising:

5 a communication line having a plurality of twisted wire pairs;

a plurality of transmitters, one of the transmitters at each end of each twisted wire pair;

10 a plurality of receivers, one of the receivers at each end of each twisted wire pair, each of the receivers receiving a combination signal including a direct signal from the transmitter at the opposite end of the twisted wire pair with which the receiver is associated and a plurality of noise signals;

15 a plurality of adaptive filters responsive to the combination signal, each of the adaptive filters having a transfer function and a plurality of taps each of the taps having a coefficient, each of the taps switchable between an active and an inactive state; and

a control device for periodically adjusting the transfer function of at least one of the adaptive filters by selectively deactivating at least one of the taps while ensuring that the error of the communications system does not exceed the prespecified threshold error.

20

2. The communications system of claim 1 further comprising:

a plurality of noise reduction systems, one of the noise reduction systems associated with one of the receivers, each of the noise reduction systems for providing at least one replica noise impairment signal; and

25 a plurality of devices, one of the devices associated with one of the receivers, each of the devices responsive to the combination signal received by such receiver and the replica noise impairment signal provided by the noise reduction system associated with such receiver for substantially removing at least one of the noise signals from the combination signal.

30

3. The communications system of claim 2 wherein the noise signals include a plurality of far-end crosstalk (FEXT) impairment signals, one of the FEXT impairment signals from each of the transmitters at the opposite end of the communication line, except for the transmitter at the opposite end of the twisted wire pair with which the receiver is associated, and each of the noise reduction systems includes a FEXT cancellation system for providing, as one of the replica noise impairment signals, a replica FEXT impairment signal.

35

1           4.    The communications system of claim 3 wherein the FEXT cancellation  
system comprises:

              means for receiving a signal from each of the receivers at the same end of the  
communication line except for the receiver with which the FEXT cancellation system  
5    is associated;

              means for generating an individual replica FEXT impairment signal for each of  
the received signals; and

              means for combining the individual replica FEXT impairment signals to generate  
the replica FEXT impairment signal.

10

              5.    The system of any one of claims 2 through 4 wherein the noise signals  
include a plurality of near-end crosstalk (NEXT) impairment signals, one of the NEXT  
impairment signals from each of the transmitters at the same end of the  
communication line, except for the transmitter at the same end of the twisted wire  
15   pair with which the receiver is associated, and each of the noise reduction systems  
includes a NEXT cancellation system for providing, as one of the replica noise  
impairment signals, a replica NEXT impairment signal.

              6.    The communications system of claim 5 wherein the NEXT cancellation  
20   system comprises:

              means for receiving a signal from each of the transmitters at the opposite end  
of the communication line except for the transmitter with which the NEXT  
cancellation system is associated;

              means for generating an individual replica NEXT impairment signal for each of  
25   the received signals; and

              means for combining the individual replica NEXT impairment signals to  
generate the replica NEXT impairment signal.

              7.    The communications system of any one of claims 2 through 6 wherein  
30   the noise signals include an echo impairment signal received from the transmitter at  
the same end of the twisted wire pair with which the receiver is associated, and each  
of the noise reduction systems includes an echo canceller for providing, as one of the  
replica noise impairment signals, a replica echo impairment signal.

35

1           8. The communications system of claim 7 wherein the echo canceller  
comprises:  
          means for receiving a signal from the transmitter with which the echo canceller  
is associated; and  
5           means for processing the received signal to generate the replica echo impairment  
signal.

          9. The communications system of any one of the preceding claims wherein  
the control device comprises:  
10          means for setting the state of each tap;  
          means for calculating a present error for the system; and  
          means for comparing the present error to the prespecified threshold error.

          10. The communications system of claim 9 wherein the means for setting the  
15 state of each tap comprises:  
          means for specifying a tap threshold for each tap;  
          means for comparing for each tap the absolute value of the tap coefficient with  
the tap threshold; and  
          means for deactivating those taps having a coefficient with an absolute value less  
20 than the tap threshold.

          11. The communications system of claim 10 wherein the means for setting the  
state of each tap further comprises means for periodically activating previously  
deactivated taps.  
25

          12. The communications system of claim 10 further comprising means for  
increasing the tap threshold when the present error is less than the threshold error.

          13. In a communications system comprising a communication line having a  
30 plurality of twisted wire pairs, a plurality of transceivers, one of the transceivers at  
each end of each of the twisted wire pairs, each of the transceivers having a receiver  
and a transmitter, each of the receivers receiving a combination signal including a  
direct signal from the transmitter at the opposite end of the twisted wire pair with  
which the receiver is associated and a plurality of noise signals, each of the transceivers  
35 further comprising a plurality of adaptive filters responsive to the combination signal,  
each of the adaptive filters having a plurality of taps each of the taps having a



1 coefficient, each of the taps switchable between an active and an inactive state, a  
method of operating said communications system comprising the steps of:  
specifying a threshold error for the system; and  
periodically adjusting the transfer function of at least one of the adaptive filters  
5 by selectively deactivating at least one of the taps while ensuring that the error of the  
system does not exceed the specified threshold error.

14. The method of claim 13 further comprising, for each of the receivers, the  
steps of:  
10 generating at least one replica noise impairment signal; and  
combining the at least one replica noise impairment signal with the combination  
signal to produce an output signal substantially devoid of at least one of the noise  
signals.

15 15. The method of claim 14 wherein the noise signals include a plurality of  
far-end crosstalk (FEXT) impairment signals, one of the FEXT impairment signals  
from each of the transmitters at the opposite end of the communication line, except  
for the transmitter at the opposite end of the twisted wire pair with which the receiver  
is associated, and the step of generating at least one of the replica noise impairment  
20 signals comprises the step of generating a replica FEXT impairment signal.

16. The method of claim 15 wherein the step of generating a replica FEXT  
impairment signal comprises the steps of:  
receiving a signal from each of the receivers at the same end of the  
25 communication line except for the receiver for which the replica FEXT impairment  
signal is being generated;  
generating an individual replica FEXT impairment signal for each of the received  
signals; and  
combining the individual replica FEXT impairment signals to generate the  
30 replica FEXT impairment signal.

17. The method of any one of claims 14 through 16 wherein the noise signals  
include a plurality of near-end crosstalk (NEXT) impairment signals, one of the NEXT  
impairment signals from each of the transmitters at the same end of the  
35 communication line, except for the transmitter at the same end of the twisted wire  
pair with which the receiver is associated, and the step of generating at least one of the

1 replica noise impairment signals comprises the step of generating a replica NEXT  
impairment signal.

5 18. The method of claim 17 wherein the step of generating a replica NEXT  
impairment signal comprises:

receiving a signal from each of the transmitters at the opposite end of the  
communication line except for the transmitter associated with the receiver for which  
the replica NEXT impairment signal is being generated;

10 generating an individual replica NEXT impairment signal for each received  
signal; and

combining the individual replica NEXT impairment signals to generate the  
replica NEXT impairment signal.

15 19. The method of any one of claims 14 through 18 wherein the noise signals  
include an echo impairment signal received from the transmitter at the same end of  
the twisted wire pair with which the receiver is associated, and the step of generating  
at least one of the replica noise impairment signals comprises the step of generating a  
replica echo impairment signal.

20 20. The method of claim 19 wherein the step of generating a replica echo  
impairment signal comprises the steps of:

receiving a signal from the transmitter associated with the receiver for which the  
replica echo impairment signal is being generated; and

25 processing the received signal to generate the replica echo impairment signal.

21. The method of any one of claims 13 through 20 wherein the step of  
adjusting the transfer function comprises the steps of:

setting the state of each tap;

calculating a present error for the system; and

30 comparing the present error to the specified threshold error.

22. The method of claim 21 wherein the step of setting the state of each tap  
comprises the steps of:

specifying a tap threshold for each tap;

35 comparing for each tap the absolute value of the tap coefficient with the tap  
threshold; and

1           deactivating those taps having a coefficient with an absolute value less than the  
tap threshold.

5           23. The method of claim 22 wherein the step of setting the state of each tap  
further comprises the step of periodically activating previously deactivated taps.

10           24. The method of any one of claims 13 through 23 wherein one transceiver  
acts as a master and another transceiver acts as slave, each transceiver having a noise  
reduction system, a timing recovery system and at least one equalizer, said method  
further comprising the steps of:

          executing a first stage during which the timing recovery system and the equalizer  
of the slave are trained and the noise reduction system of the master is trained;

15           executing a second stage during which the timing recovery system and the  
equalizer of the master are trained and the noise reduction system of the slave is  
trained; and

          executing a third stage during which the noise reduction system of the master  
is retrained.

20           25. The method of claim 24 further comprising the steps of:  
          transitioning from the first stage to the second stage; and  
          transitioning from the second stage to the third stage.

25           26. The method of claim 25 wherein the step of transitioning from the first  
stage to the second stage comprises the steps of:

          transmitting a signal from the slave to the master;  
          detecting the signal at the master; and  
          ceasing transmission from the master.

30           27. The method of claim 26 wherein the transmission of the signal from the  
slave occurs upon completion of the training of the timing recovery system and the  
equalizer of the slave.

35           28. The method of claim 25 wherein the step of transitioning from the  
second stage to the third stage comprises the steps of:

          transmitting a signal from the master to the slave;  
          detecting the signal at the slave; and  
          continuing transmission from the slave.

1           29. The method of claim 28 wherein the transmission of the signal from the  
master occurs upon completion of the training of the timing recovery system and the  
equalizer of the master.

5           30. The method of any one of claims 13 through 23 one transceiver acts as  
a master and another transceiver acts as slave, each transceiver having a noise reduction  
system, a timing recovery system and at least one equalizer, said method further  
comprising the steps of:

10           executing a first stage during which the timing recovery system and the equalizer  
of the slave are trained and the noise reduction system of the master is trained;

          executing a second stage during which the timing recovery system of the master  
is trained in both frequency and phase, the equalizer of the master is trained and the  
noise reduction system of the slave is trained; and

15           executing a third stage during which the noise reduction system of the master  
is retrained, the timing recovery system of the master is retrained in phase and the  
timing recovery system of the slave is retrained in both frequency and phase.

          31. The method of claim 30 further comprising the steps of:  
          initiating the first stage;  
20           transitioning from the first stage to the second stage; and  
          transitioning from the second stage to the third stage.

          32. The method of claim 31 wherein the step of initiating the first stage  
comprises the steps of:  
25           transmitting a signal from the master to the slave;  
          detecting the signal at the slave; and  
          if the slave is transmitting, ceasing transmission from the slave.

          33. The method of claim 31 wherein the step of transitioning from the first  
30           stage to the second stage comprises the steps of:  
          transmitting a signal from the slave to the master;  
          detecting the signal at the master; and  
          ceasing transmission from the master.

35           34. The method of claim 33 wherein the transmission of the signal from the  
slave occurs upon completion of the training of the timing recovery system and the  
equalizer of the slave.

1           35. The method of claim 31 wherein the step of transitioning from the  
second stage to the third stage comprises the steps of:  
transmitting a signal from the master to the slave;  
detecting the signal at the slave; and  
5           continuing transmission from the slave.

36. The method of claim 35 wherein the transmission of the signal from the  
master occurs upon completion of the training of the timing recovery system and the  
equalizer of the master.

10           37. A communications system comprising:  
a communication line having a plurality of twisted wire pairs;  
a plurality of transmitters, one transmitter at each end of each twisted wire pair;  
a plurality of receivers, one receiver at each end of each twisted wire pair, each  
15 receiver receiving a combination signal including a direct signal from the transmitter  
at the opposite end of the twisted wire pair with which the receiver is associated and  
a plurality of far-end crosstalk (FEXT) impairment signals, one from each of the  
remaining transmitters at the opposite end of the communications line;  
a plurality of FEXT cancellation systems, one associated with each receiver, each  
20 FEXT cancellation system for providing a replica FEXT impairment signal;  
a plurality of delay devices, one associated with each receiver, each delay device  
responsive to the combination signal received by such receiver for delaying the  
combination signal; and  
a plurality of first devices, one associated with each receiver, each first device  
25 responsive to the output of the delay device associated with such receiver and the  
replica FEXT impairment signal provided by the FEXT cancellation system associated  
with such receiver for substantially removing the FEXT impairment signals from the  
combination signal.

30           38. The communications system of claim 37, wherein the FEXT cancellation  
system comprises:  
means for receiving a signal from each of the receivers at the same end of the  
communication line except for the receiver with which the FEXT cancellation system  
is associated;  
35           means for generating an individual replica FEXT impairment signal for each  
received signal; and

1 means for combining the individual replica FEXT impairment signals to generate  
the replica FEXT impairment signal.

5 39. The communications system of claim 38 wherein, when the direct signal  
arrives at the receiver after the FEXT impairment signals, the delay device delays the  
combination signal by an amount substantially equal to the time delay between the  
arrival, at the receiver, of the FEXT impairment signals and the direct signal.

10 40. The communications system of claim 38 wherein the delay device delays  
the combination signal so that such combination signal is in sync with the  
combination signals from other receivers.

15 41. The communications system of claim 38 wherein, when the direct signal  
arrives at the receiver after the FEXT impairment signals, the delay device delays the  
combination signal by the greater of the following:

an amount substantially equal to the time delay between the arrival, at the  
receiver, of the FEXT impairment signals and the direct signal; and

an amount so that such combination signal is in sync with the combination  
signals from other receivers.

20 42. The communications system of claim 38 wherein, when the direct signal  
arrives at the receiver after the FEXT impairment signals, the delay device delays the  
combination signal by an amount greater than the time delay between the arrival, at  
the receiver, of the FEXT impairment signals and the direct signal and the FEXT  
25 cancellation system, in turn, delays the replica FEXT impairment signal by an amount  
substantially equal to the greater amount.

30 43. The communications system of claim 38 wherein, when the FEXT  
impairment signals arrive at the receiver after the direct signal, the FEXT cancellation  
system delays the replica FEXT impairment signal by an amount substantially equal  
to the time delay between the arrival, at the receiver, of the direct signal and the  
FEXT impairment signals.

35 44. The communications system of claim 37 further comprising:  
a plurality of analog to digital (A/D) converters, one associated with each  
receiver, each A/D converter responsive to the combination signal received by such  
receiver for providing a digital conversion of the combination signal;

a plurality of equalizer systems, one associated with each receiver, each equalizer system responsive to the digital conversion combination signal for providing an adaptive equalization of such digital conversion combination signal; and

5 a plurality of first-in-first-out (FIFO) devices, one associated with each receiver, each FIFO device receiving the output of the A/D converter and forwarding the output to the equalizer system on a FIFO basis.

45. The communications system of claim 44 further comprising:

10 a first detector responsive to the output signal of each first device for providing a first detector output signal corresponding to the analog signal level closest in magnitude to the level of the first device output signal; and

15 a second detector responsive to the output signal of each equalizer system for providing a second detector output signal corresponding to the analog signal level closest in magnitude to the level of the equalizer output signal.



46. A communications system according to claim 1, substantially as herein described with reference to figures 9 to 26 of the drawings.

20

47. A method of operating a communications system according to claim 13, substantially as herein described with reference to figures 9 to 26.



25 48. A communications system according to claim 37, substantially as herein described with reference to figures 9 to 26 of the drawings.

Dated this second day of April 2002

Broadcom Corporation  
Patent Attorneys for the Applicant:

F B RICE & CO



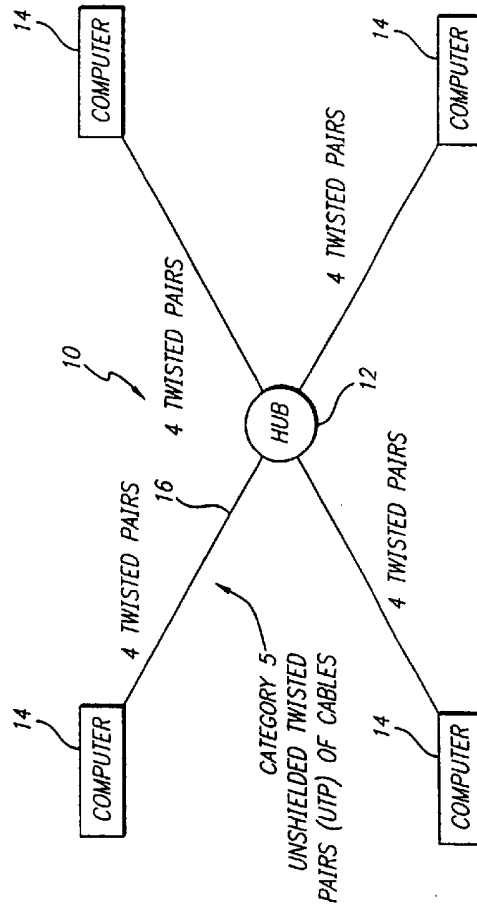


FIG. 1  
PRIOR ART



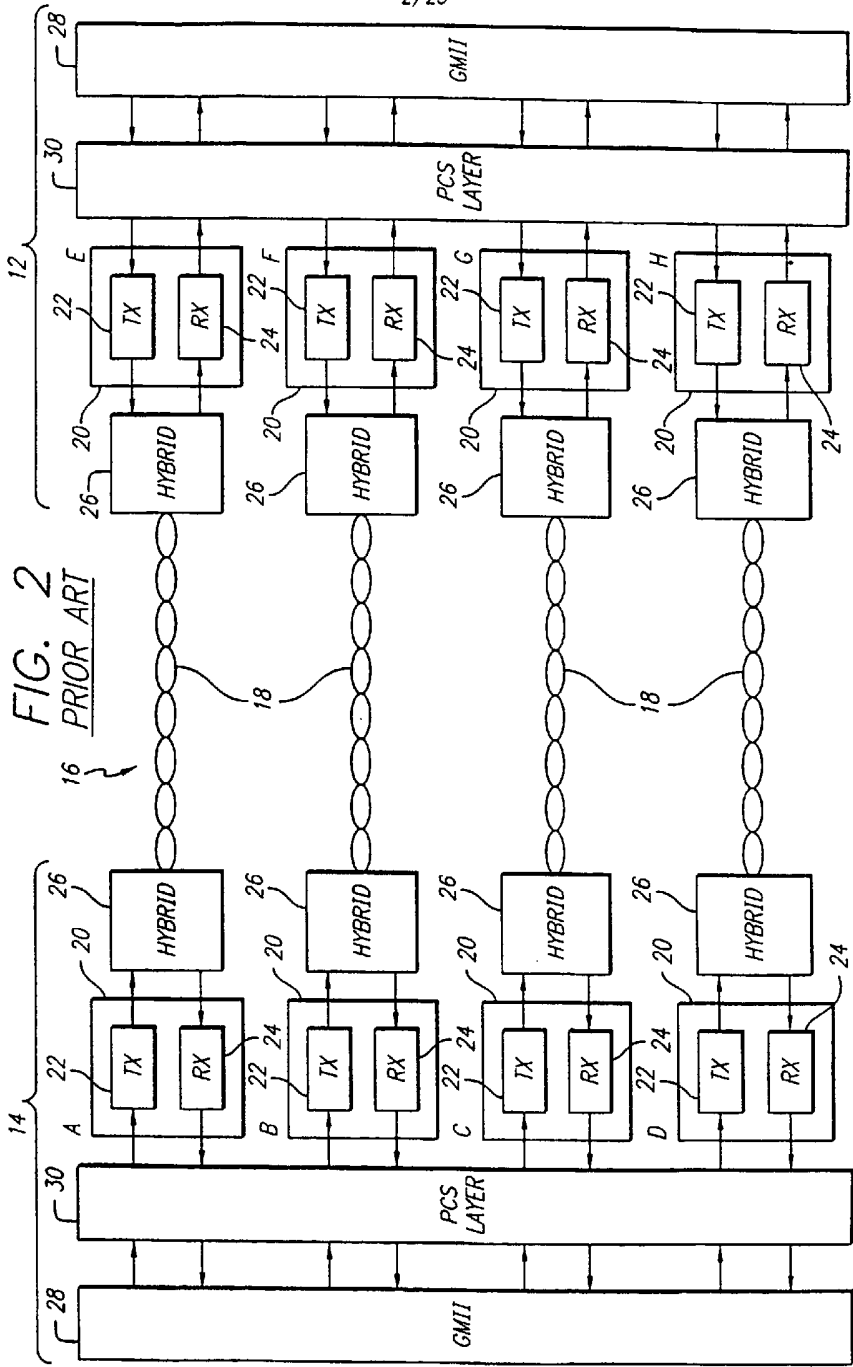


FIG. 2  
PRIOR ART

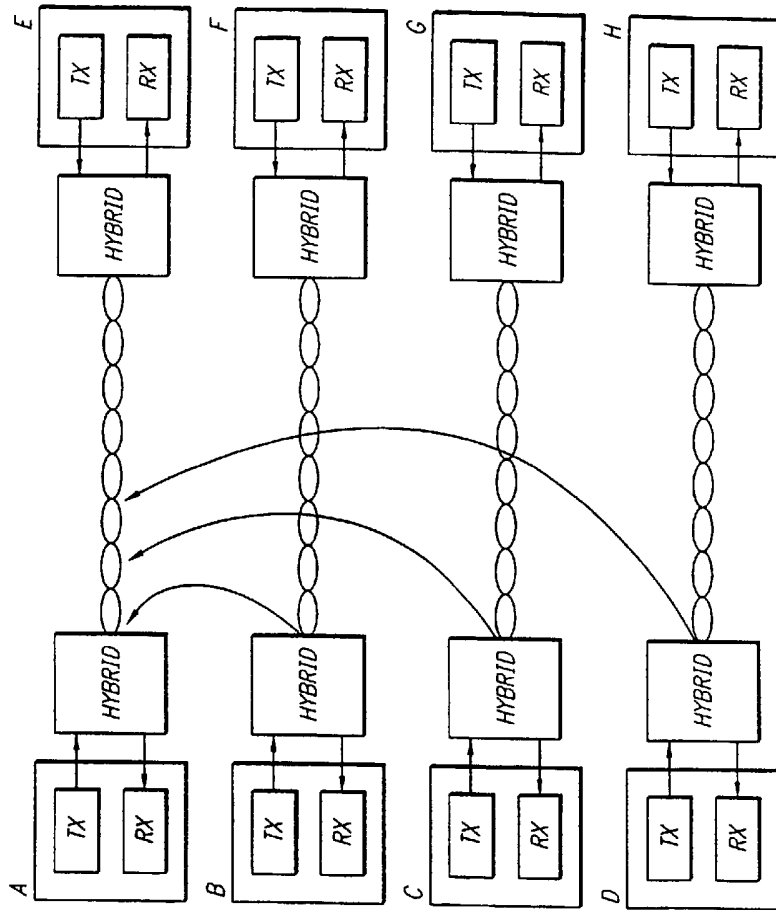


FIG. 3

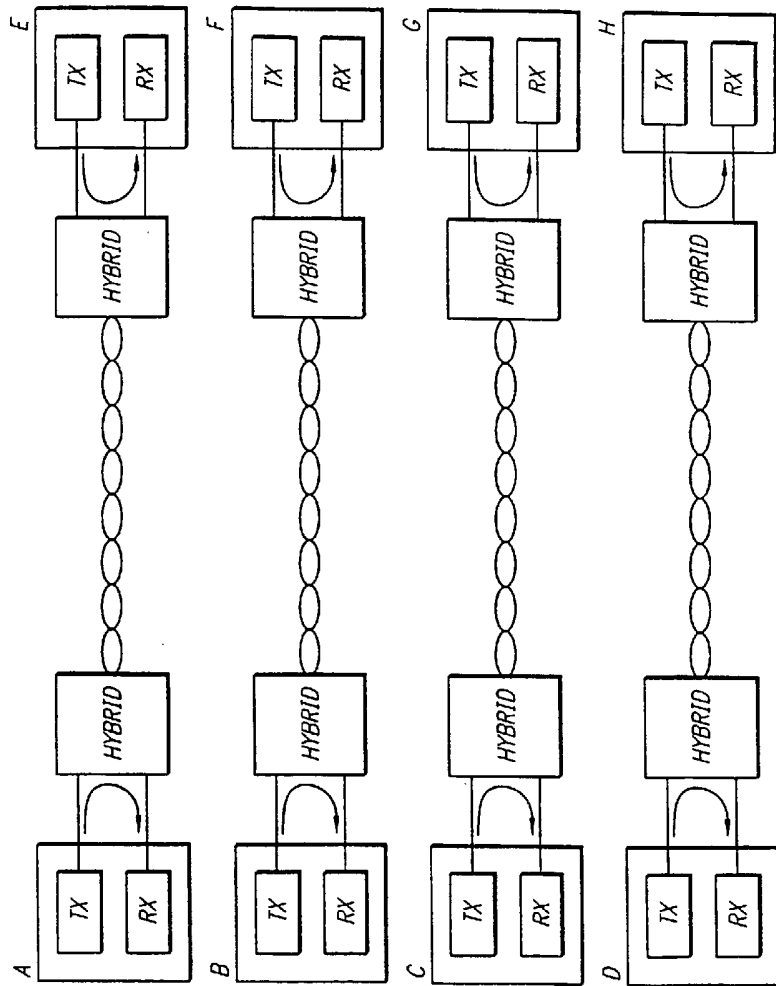


FIG. 4

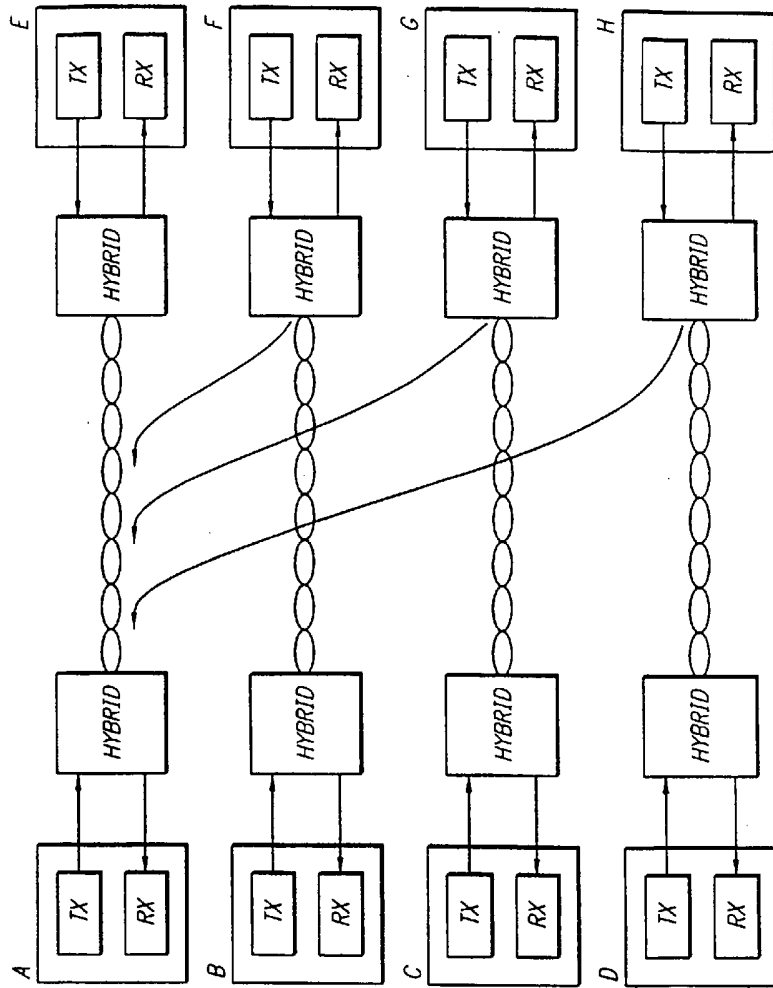
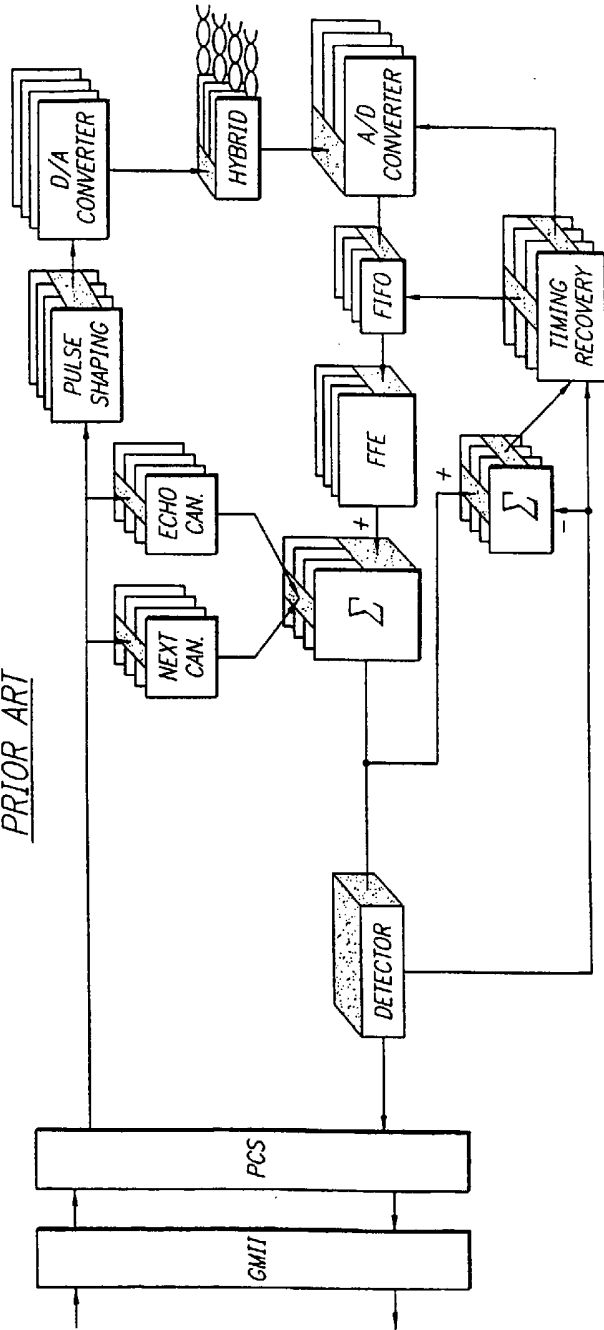


FIG. 5

FIG. 6  
PRIOR ART



7/23

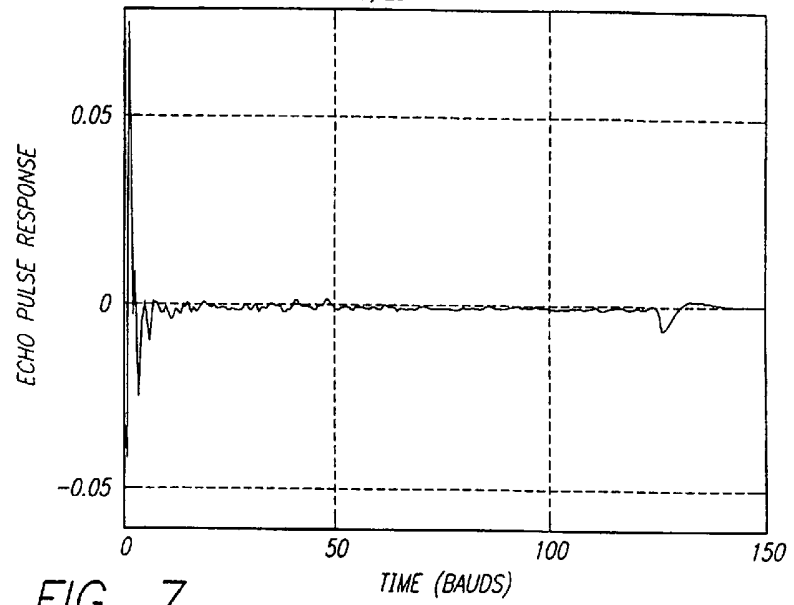


FIG. 7

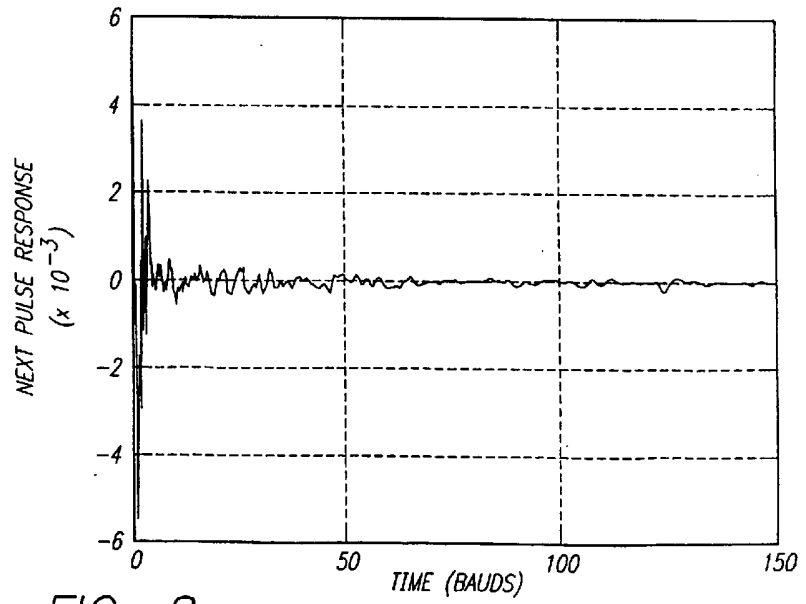
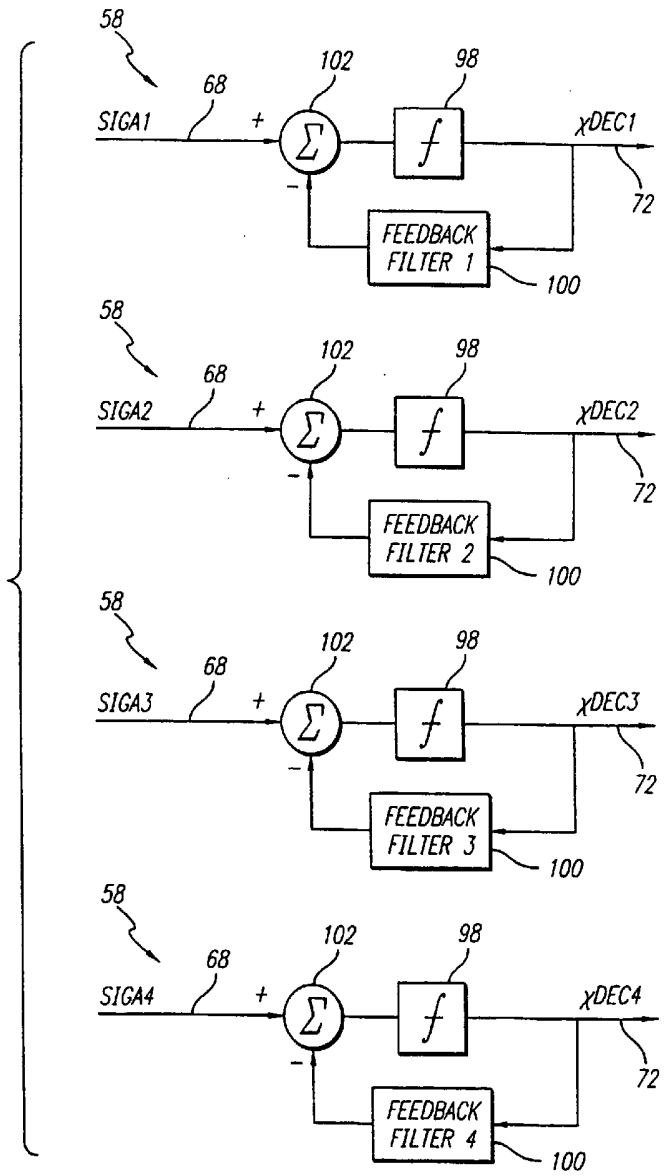


FIG. 8



9/23

FIG. 10





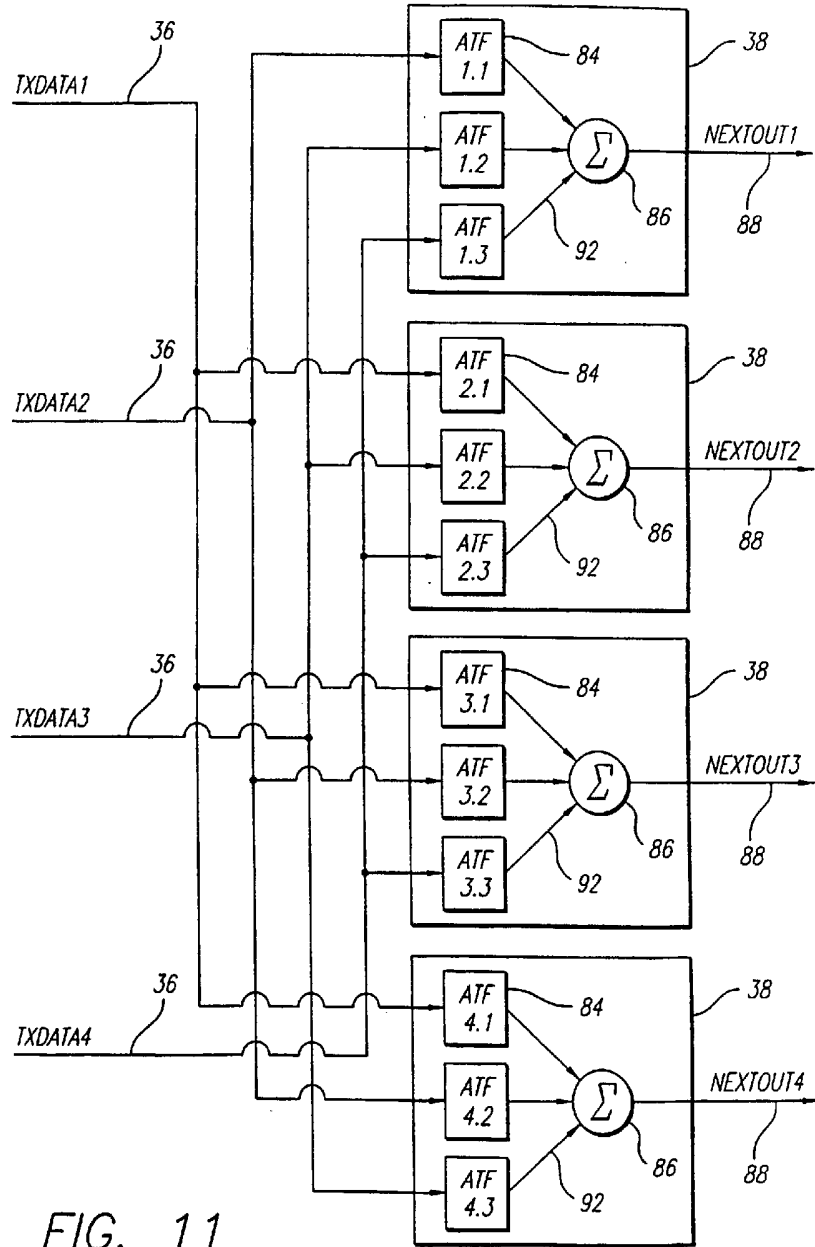


FIG. 11

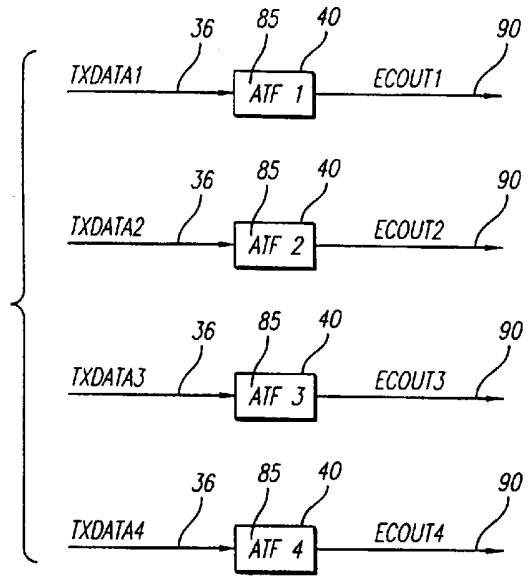


FIG. 12

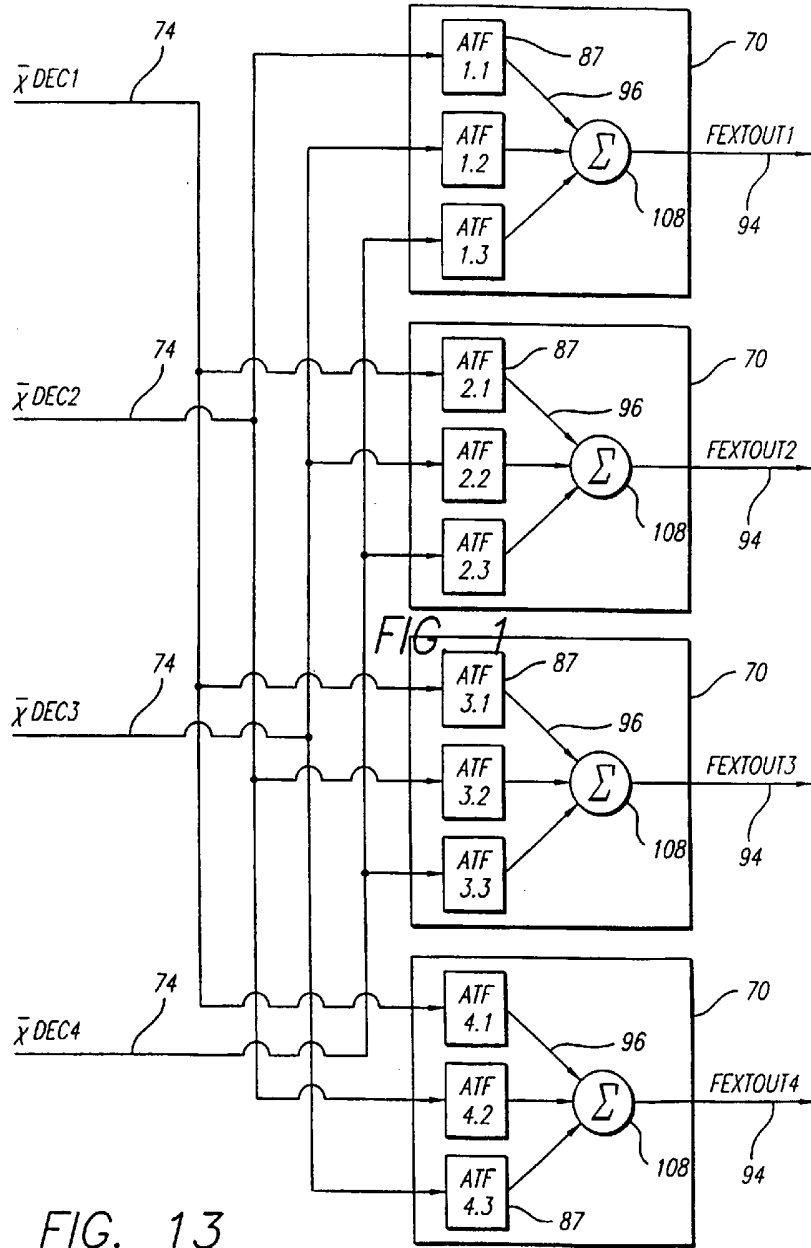


FIG. 13

FIG. 14

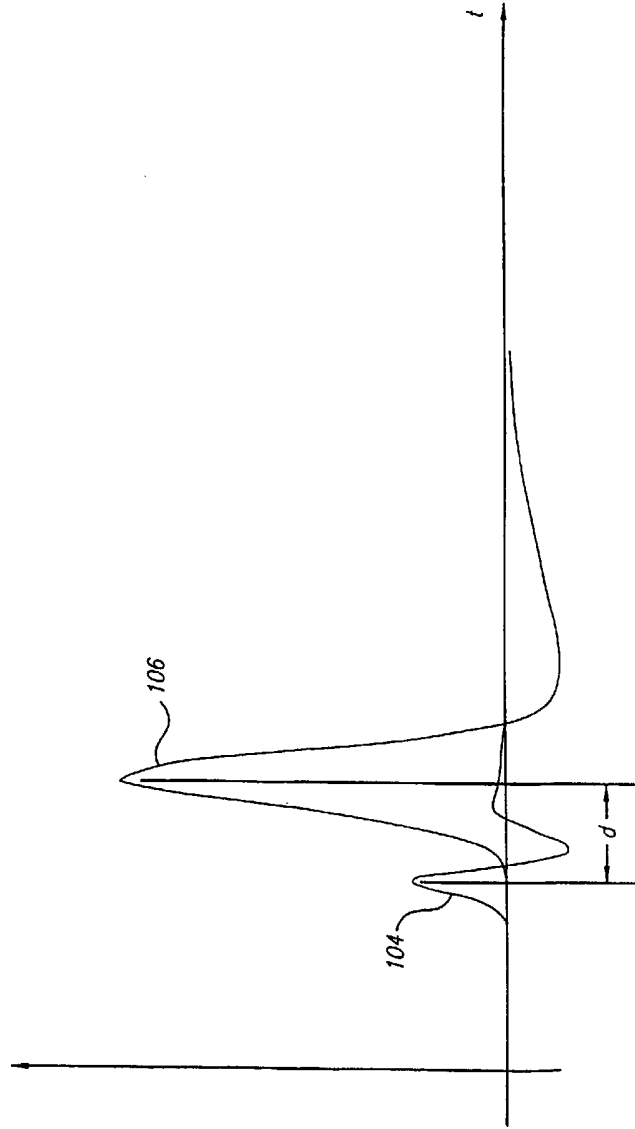


FIG. 15

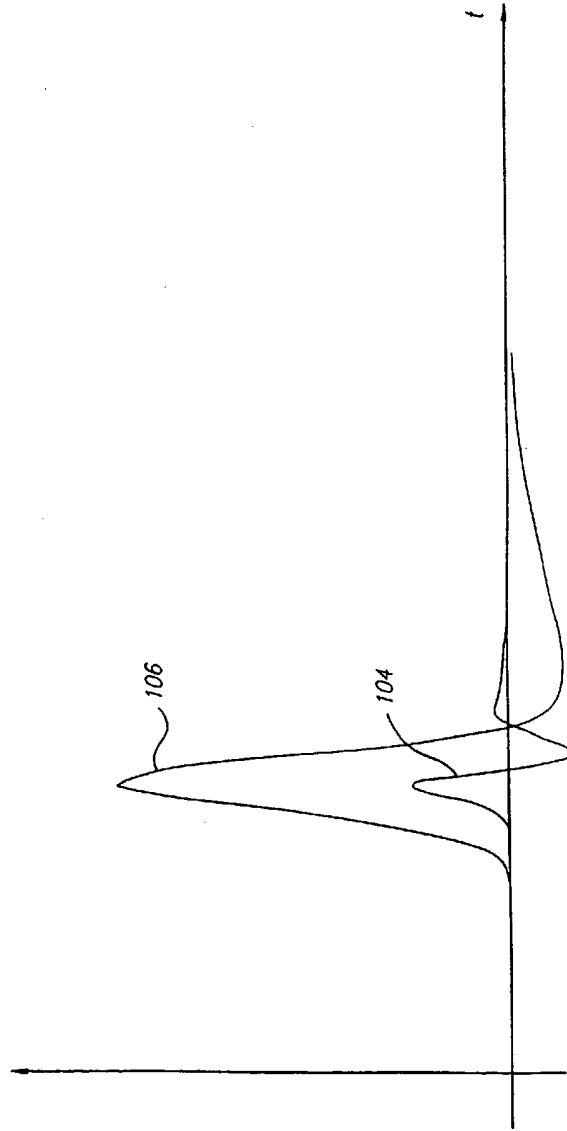


FIG. 16

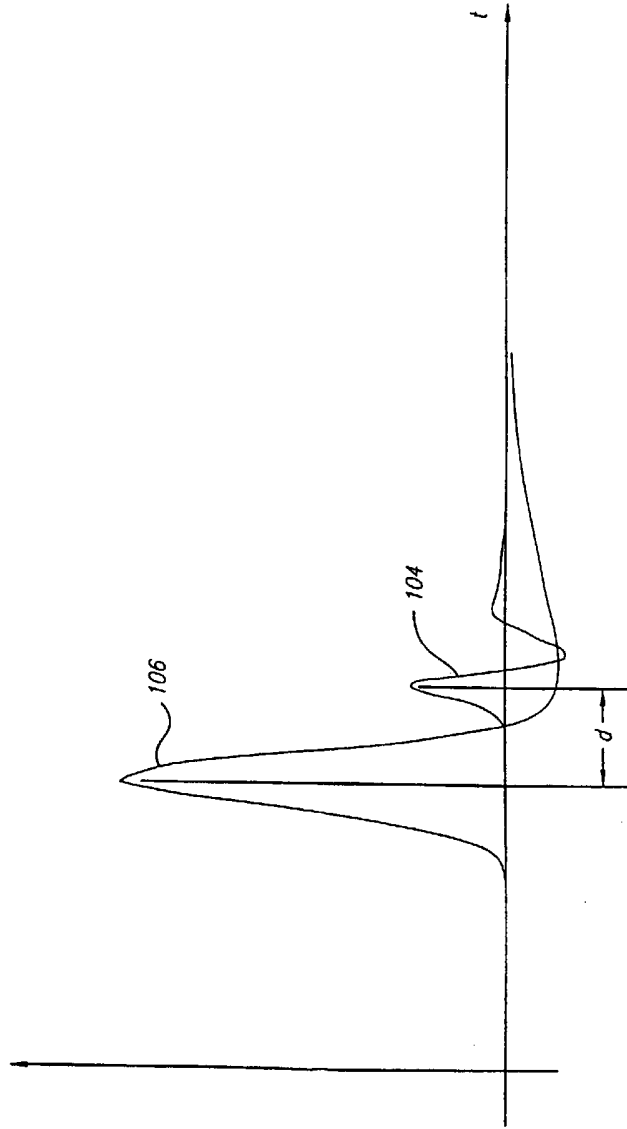
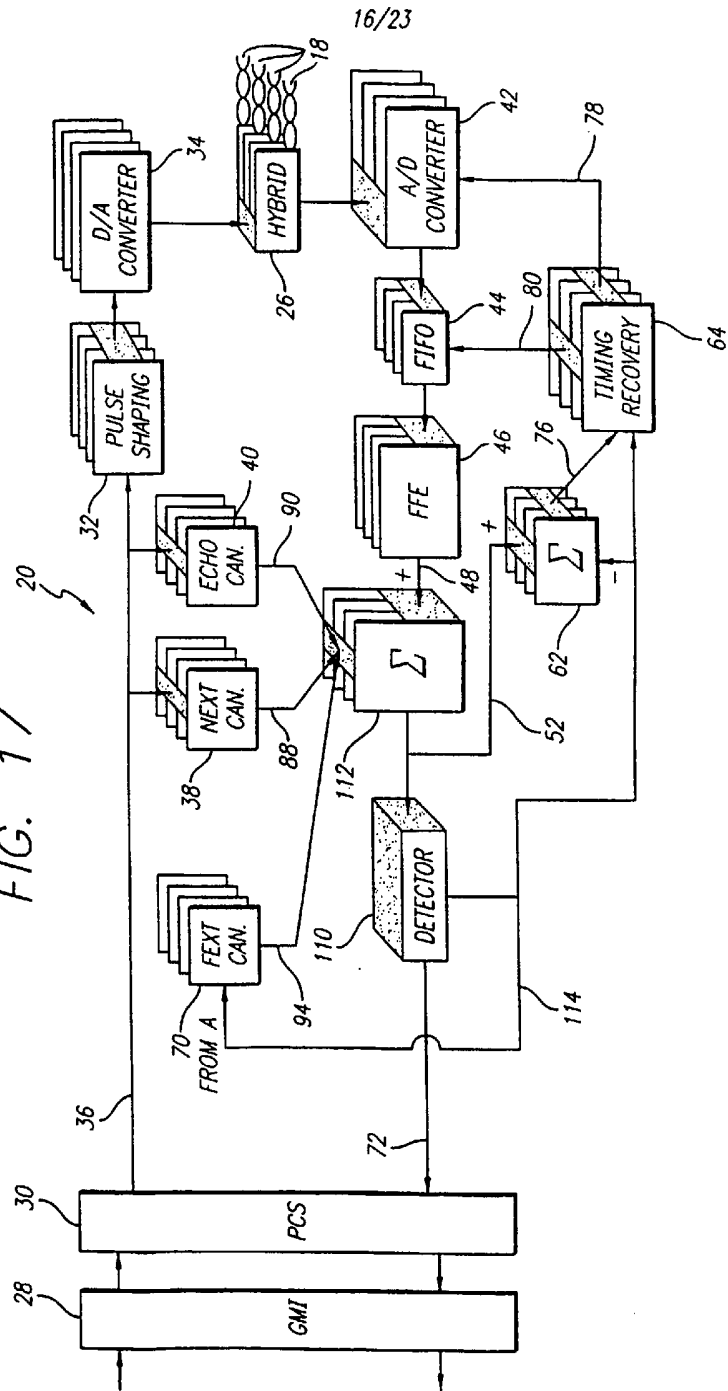


FIG. 17



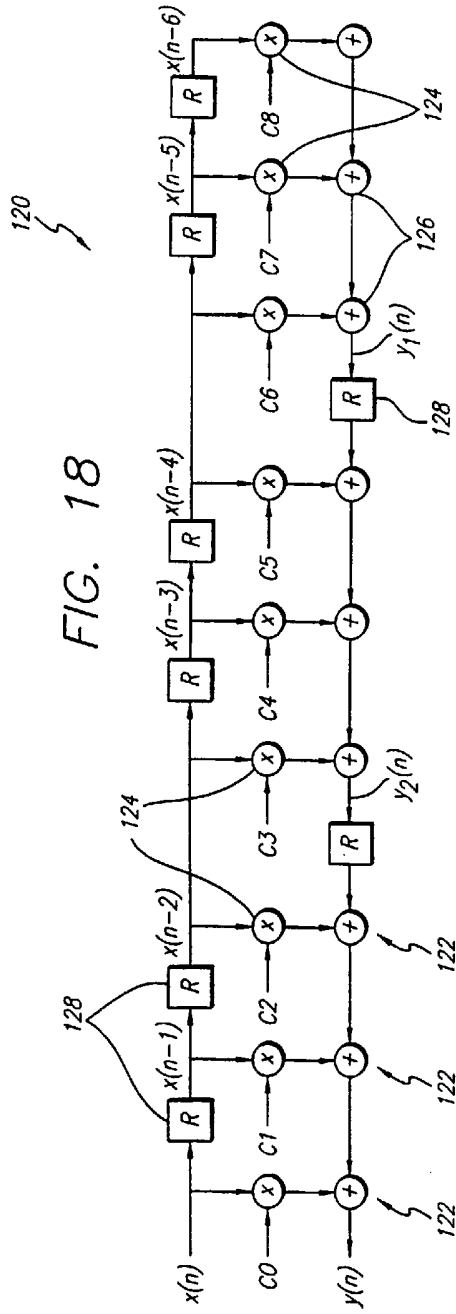
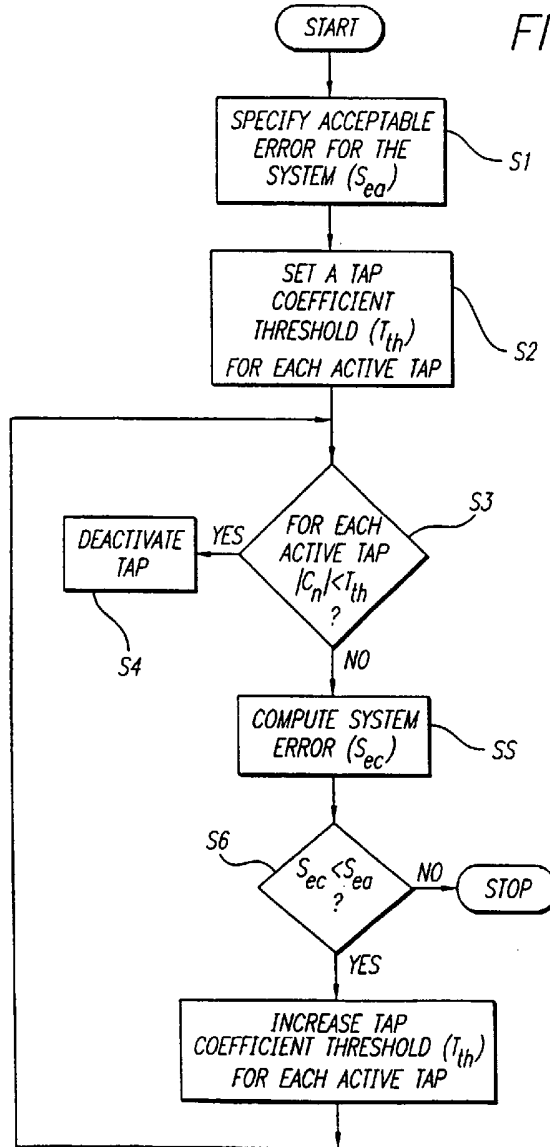




FIG. 19



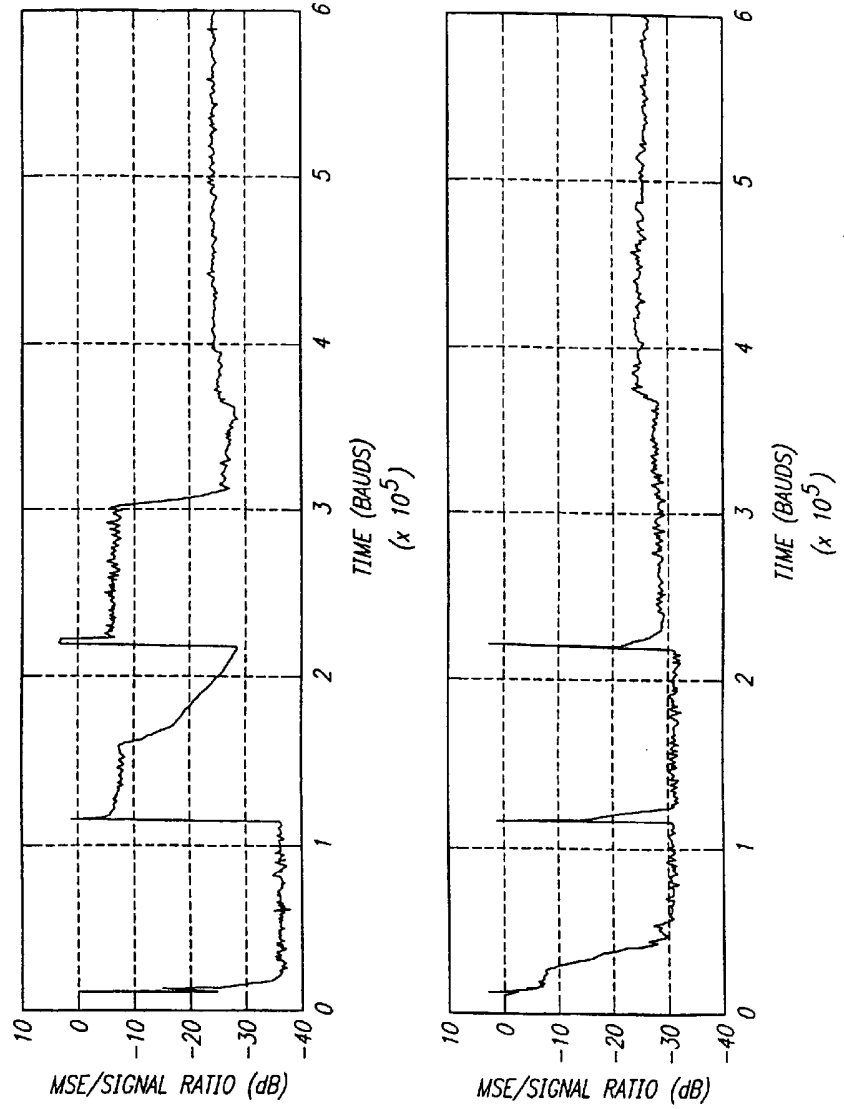


FIG. 20

FIG. 21

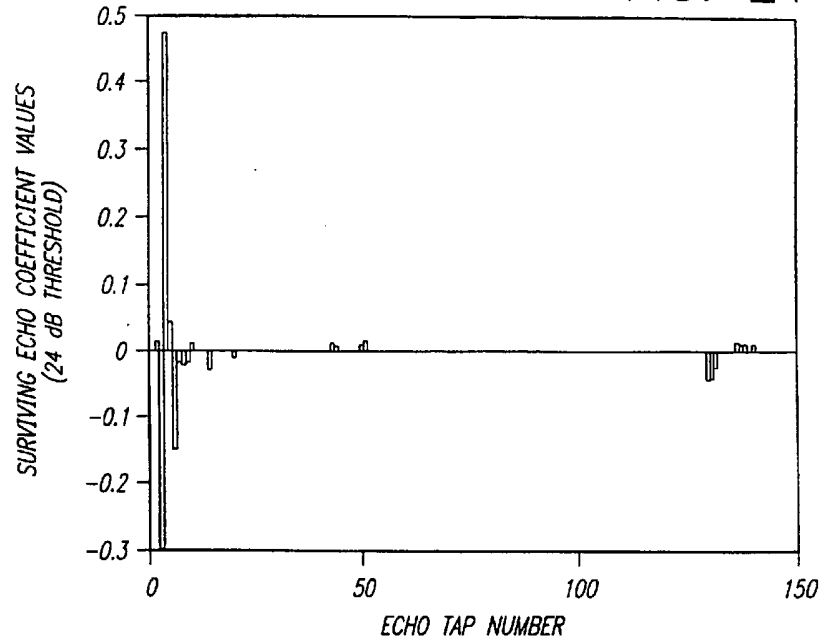


FIG. 22

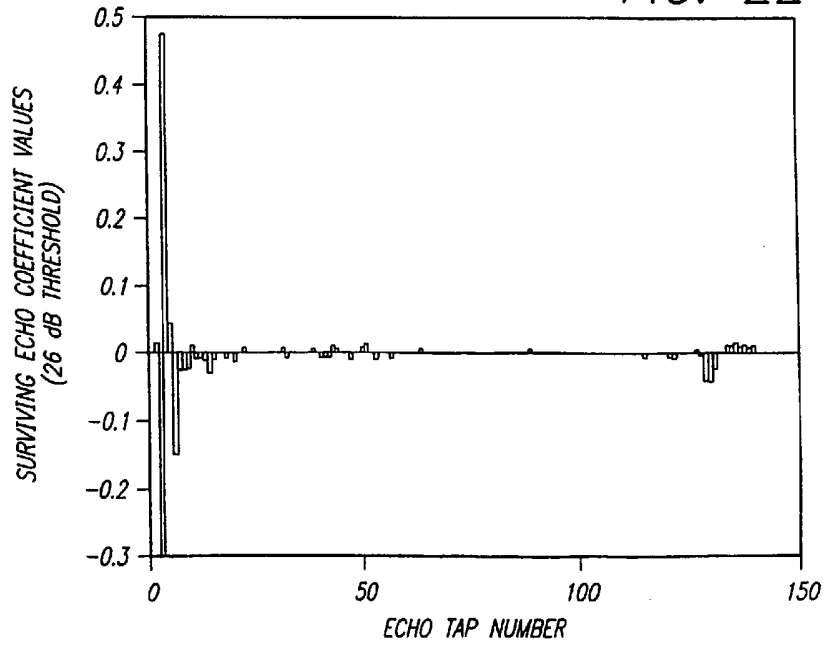


FIG. 23

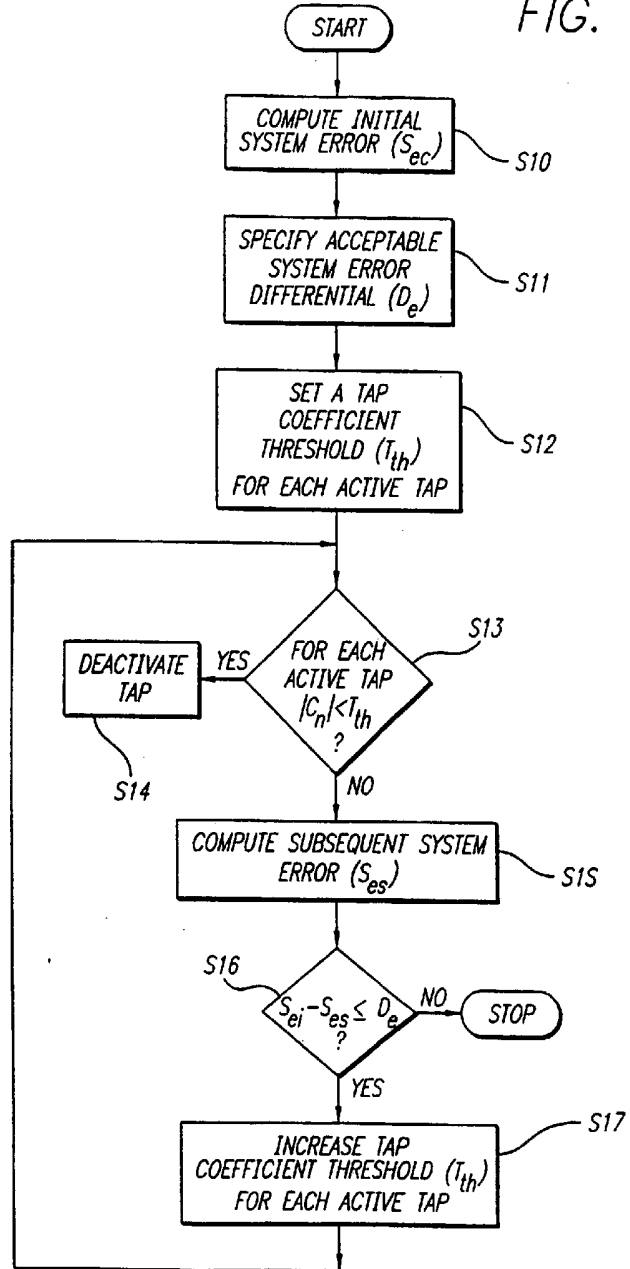


FIG. 24

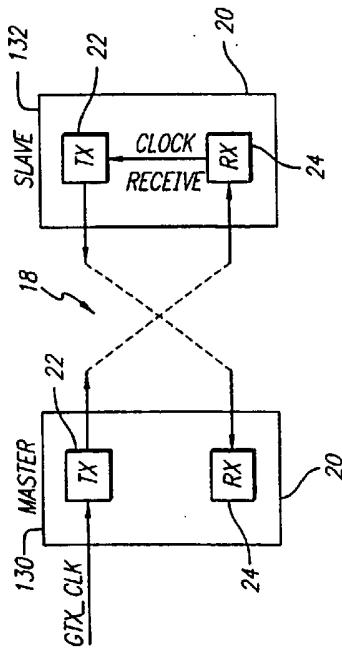
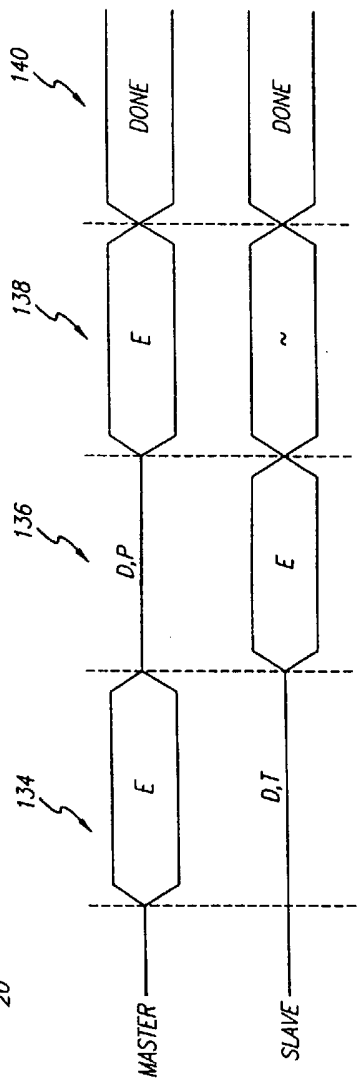
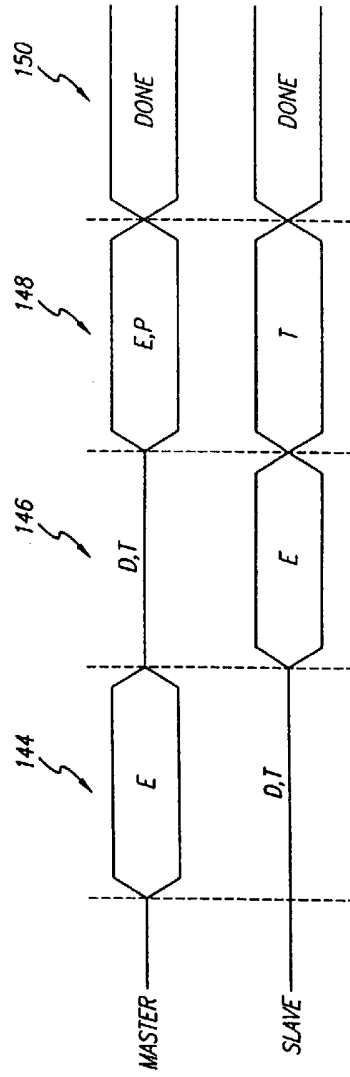


FIG. 25



E = NEAR-END NOISE REDUCTION SYSTEM CONVERGENCE  
 D = EQUALIZER/FAR-END NOISE REDUCTION SYSTEM CONVERGENCE  
 P = ACQUIRE TIMING (PHASE ONLY)  
 T = ACQUIRE TIMING (FREQUENCY AND PHASE)

FIG. 26



E = NEAR-END NOISE REDUCTION SYSTEM CONVERGENCE  
D = EQUALIZER/FAR-END NOISE REDUCTION SYSTEM CONVERGENCE  
P = ACQUIRE TIMING (PHASE ONLY)  
T = ACQUIRE TIMING (FREQUENCY AND PHASE)